

6143, 6144, 6145 & 6146 Step-On Can Assembly & Cleaning Instructions

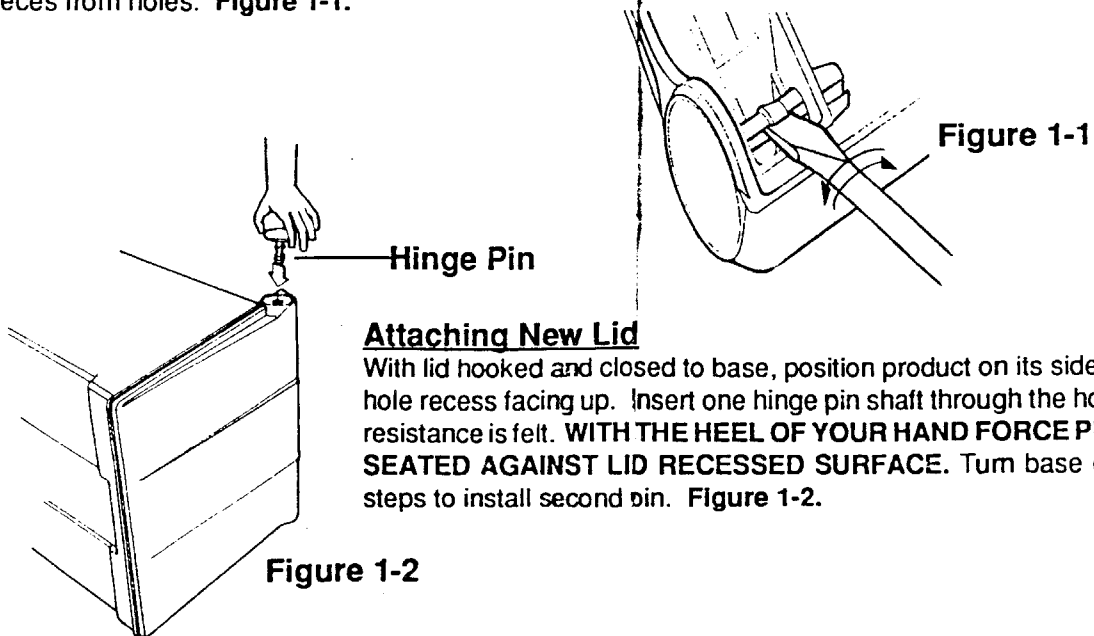
Our Step-On Containers meet Factory Mutual System's stringent standards for fire safety. Under normal use with the lid shut against the container base; flames will be extinguished.

Warning: Do not overfill container or liner forcing lid ajar from base. Empty contents daily.

Step 1 Removing and Attaching the Lid

Lid Removal

Close lid and turn product up-side down. Rotate each pin and position slot towards you. With 3/8" wide flat blade screw driver positioned within small base rectangle, insert blade into pin slot and twist until pin breaks. Push broken pieces from holes. **Figure 1-1.**



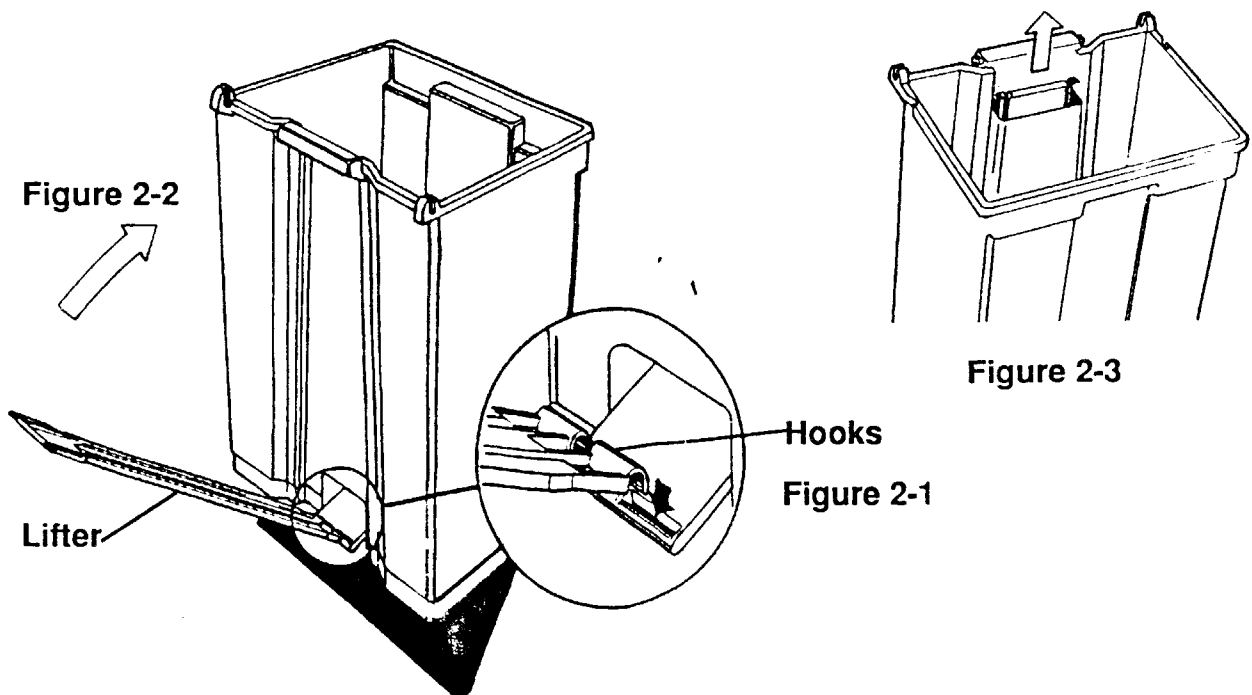
Attaching New Lid

With lid hooked and closed to base, position product on its side on floor with lid hole recess facing up. Insert one hinge pin shaft through the hole in the lid until resistance is felt. **WITH THE HEEL OF YOUR HAND FORCE PIN HEAD UNTIL SEATED AGAINST LID RECESSED SURFACE.** Turn base over and repeat steps to install second pin. **Figure 1-2.**

Figure 1-2

Step 2 Pedal-Lifter to Lid Attachment

1. Position lifter hooks facing down as shown in Fig. 2-1 and insert through slots in rear of pedal.
 2. Rotate base away from floor as shown in Fig. 2-2 and slide top of lifter in slot of base container.
- See Figure 2-3.



Step 3 Lifter to Lid Attachment

1. Press pedal to raise pedal-lifter.
2. Squeeze and locate lifter pins into corresponding holes on the inside of the lid as shown in Figure 3-1.

Lifter Pins

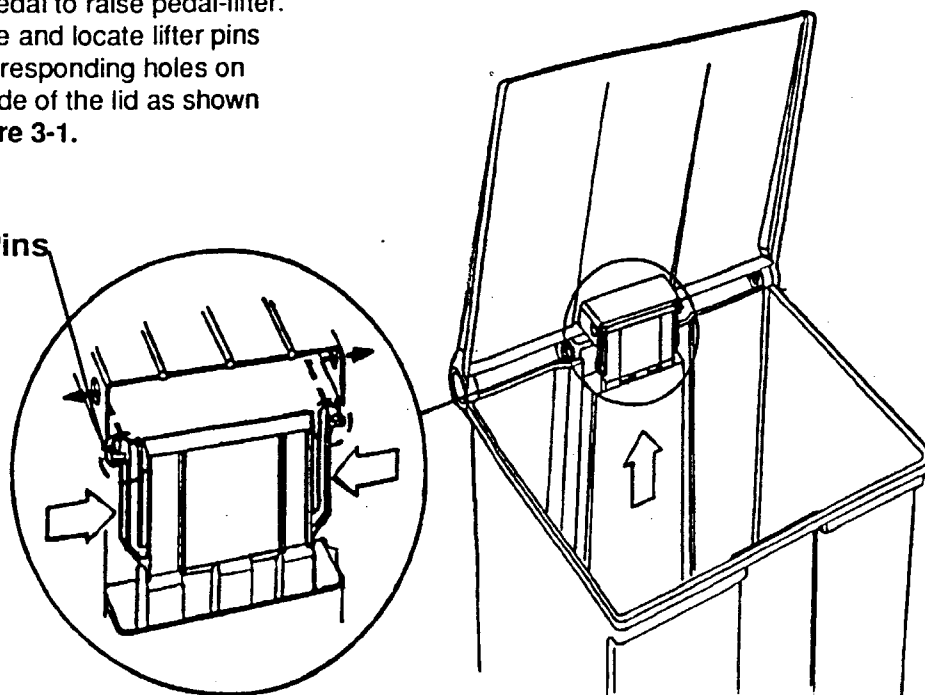


Figure 3-1

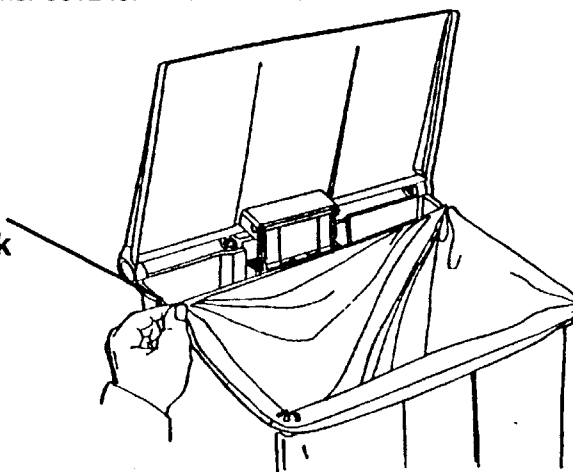
Step 4 Trashbag Installation

Place bag bottom inside base and stretch bag opening over the front and side rim surfaces. Tuck bag over rim side hooks to force bag back edge into a straight line at back side of container. Use polyliner #5009 for model numbers 6145 and 6146; polyliner 5012 for model numbers 6143 and 6144.

Bag Hook

**Factory
Mutual
System**

Approved



Cleaning Procedures

Your new Step-On Container should require no maintenance other than timely cleaning with warm water and soap. Periodically remove the rigid liner (optional) and wipe all parts with your favorite germicidal solution. Stubborn or sticky substances may be removed using many popular detergents available for this purpose. The complete container may be hand washed and rinsed with a tap water hose. **Petro-chemical based cleaning solutions should be avoided.**