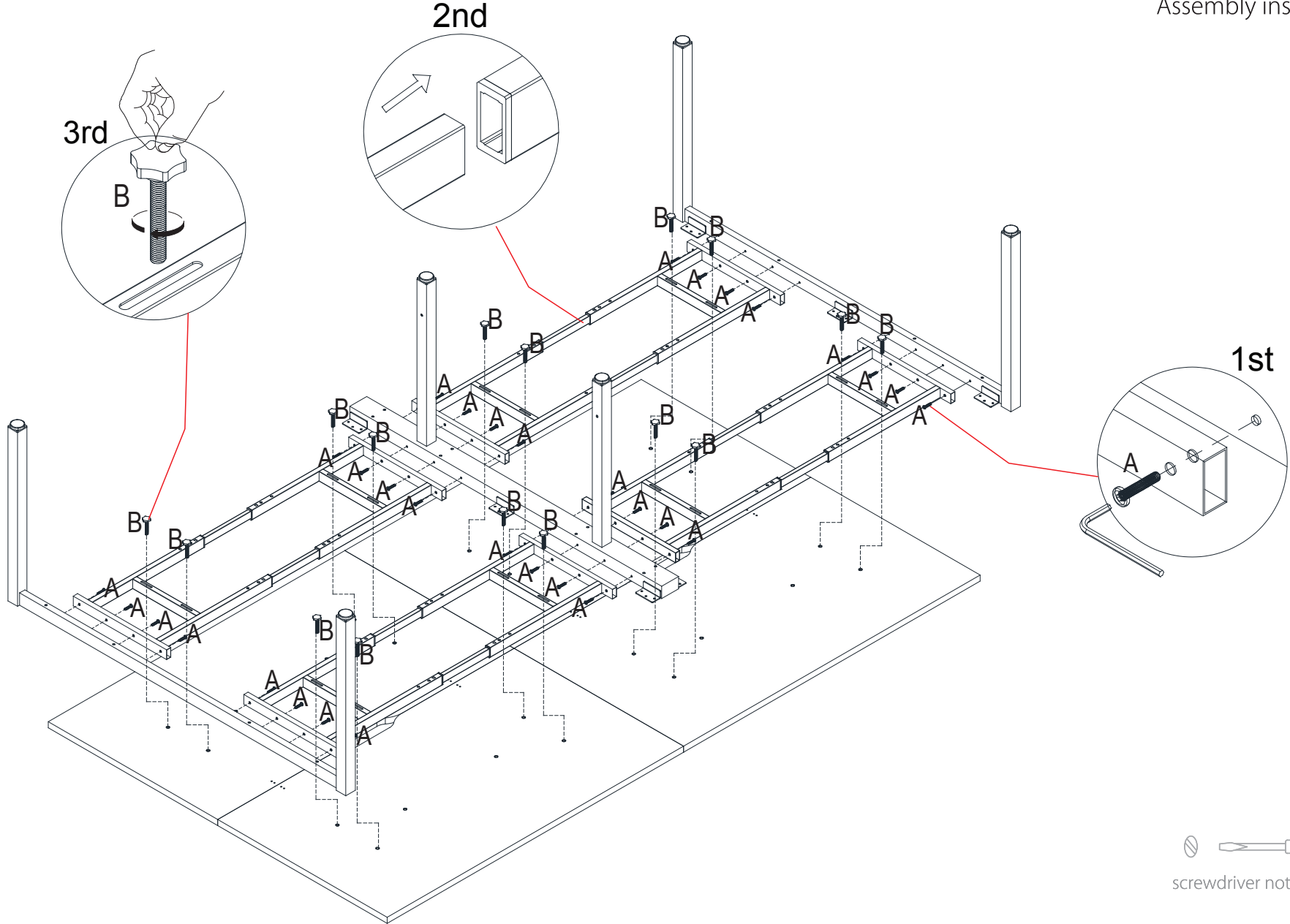



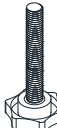



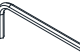
# EVOLVE PLUS BACK TO BACK MIDDLE LEG PACK SILVER/WHITE

Assembly instruction



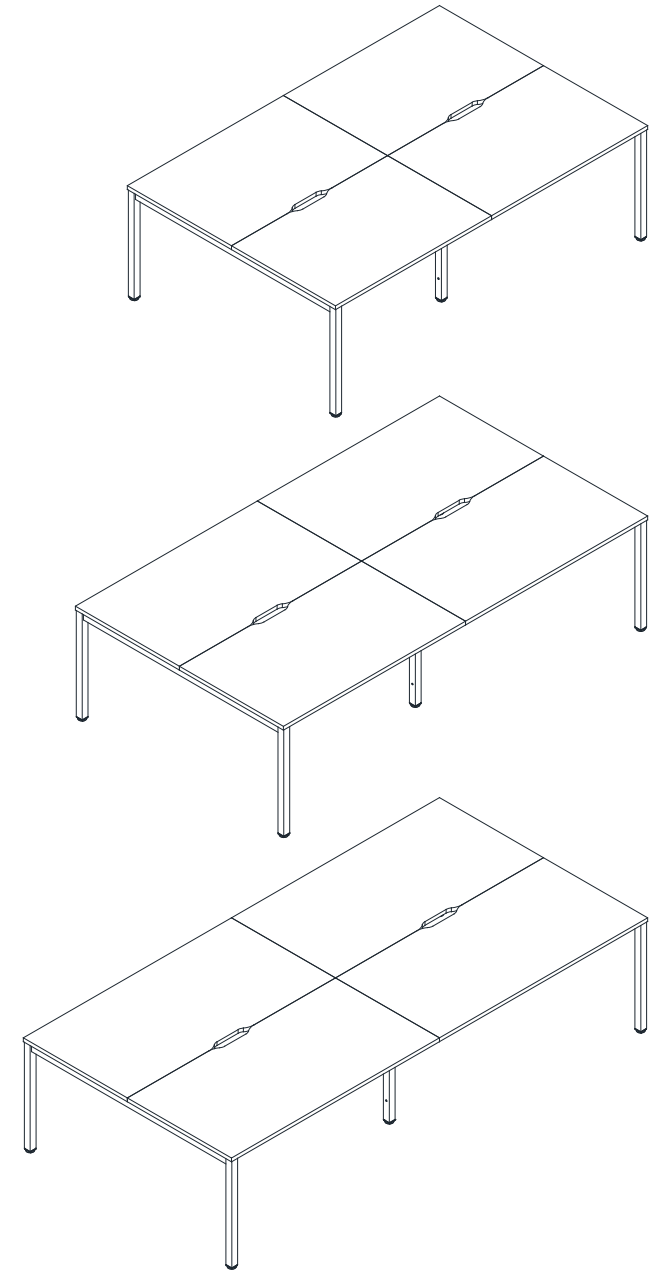
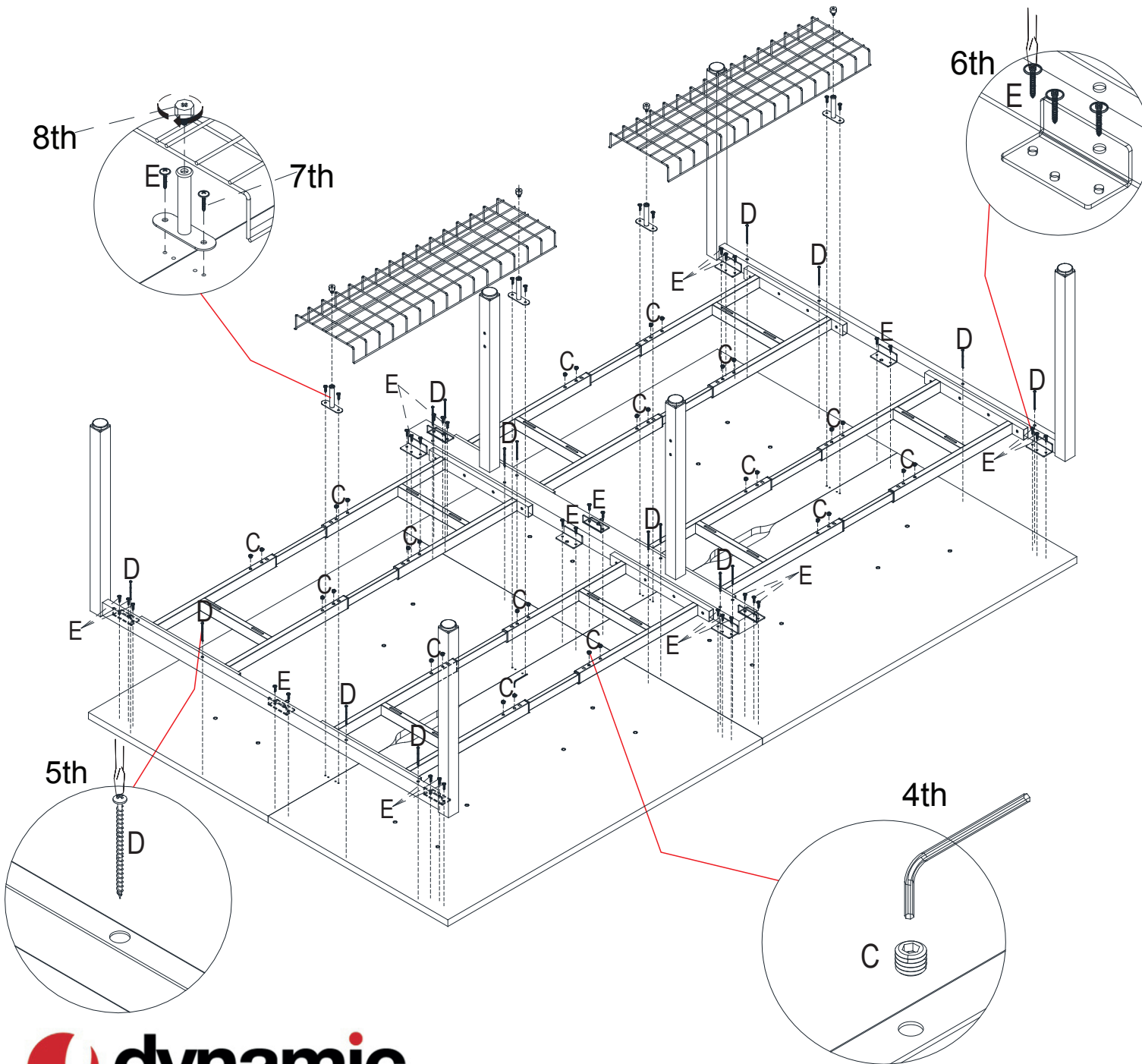
 screwdriver not supplied



-  A x 32
-  B x 16
-  C x 32
-  D x 16
-  E x 40
-  F x 1

# EVOLVE PLUS BACK TO BACK MIDDLE LEG PACK SILVER/WHITE

Assembly instruction



# EVOLVE PLUS BACK TO BACK MIDDLE LEG PACK SILVER/WHITE

Assembly instruction

When assembling the screen and the wire groove, first use the adjusting handle to move the desktop to the appropriate position, then as shown in the picture, assemble the screen and wire groove, and finally assemble according to the assembly instructions on the previous page.

