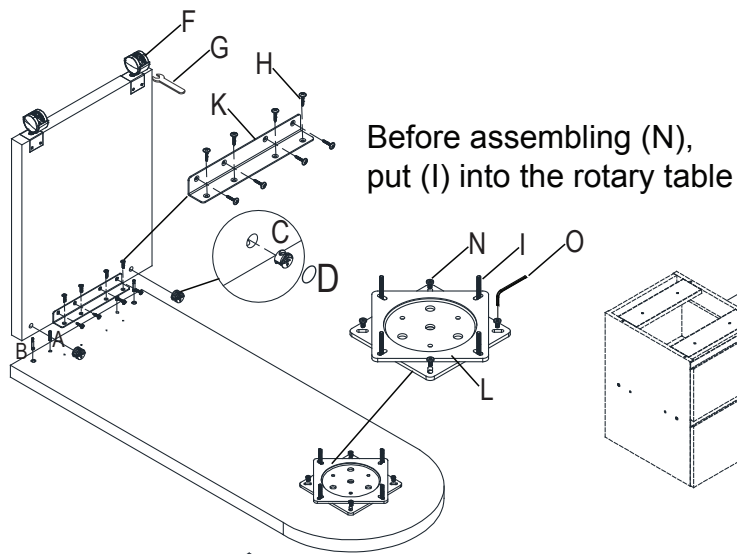


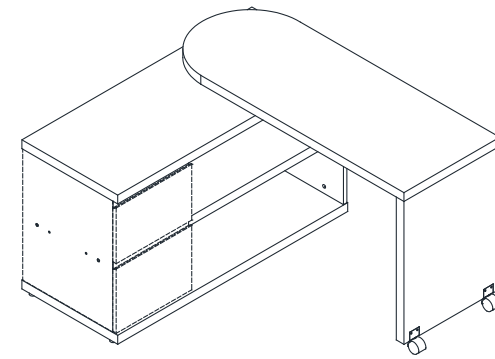
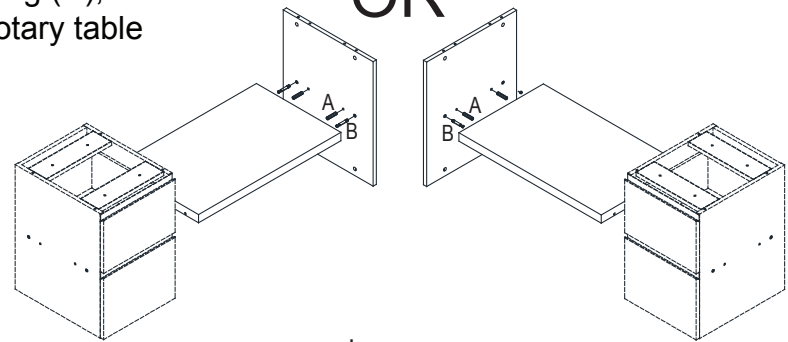
FLEUR L DESK COMPONENTS (PART1 OF 2)

Assembly instruction

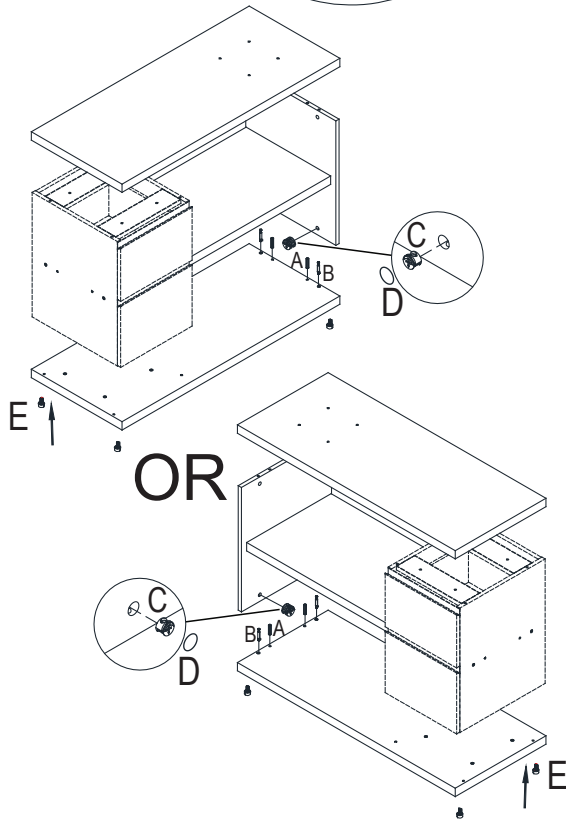
1



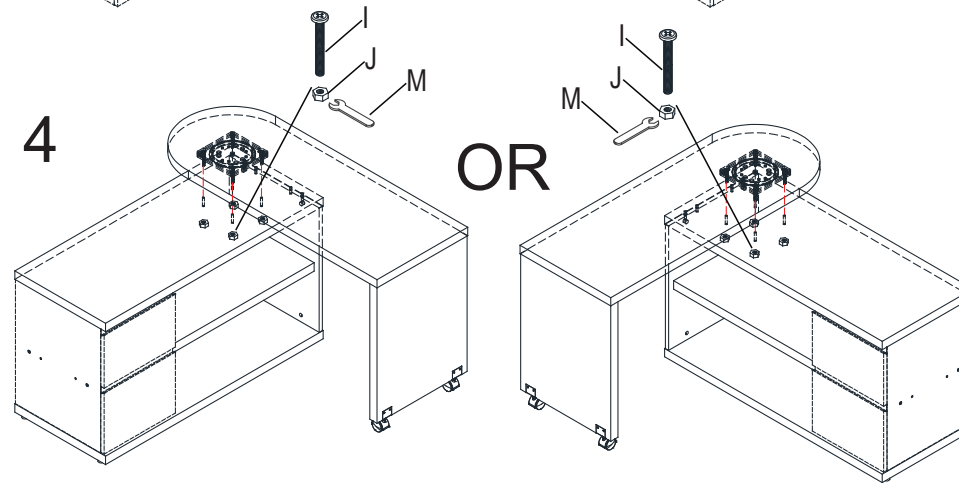
2
OR



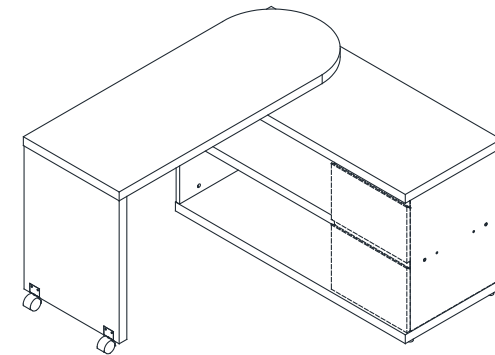
3



4



OR



The pre-placed (I) are threaded into the reserved hole in turn and assembled (J).



Ax10



Bx10



Cx10



Dx10



Ex4



Fx2



Gx1



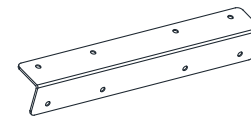
Hx8



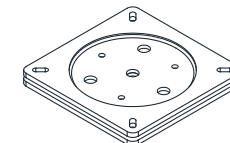
Ix4



Jx4



Kx1



Lx1



Mx1



Nx4



Ox1