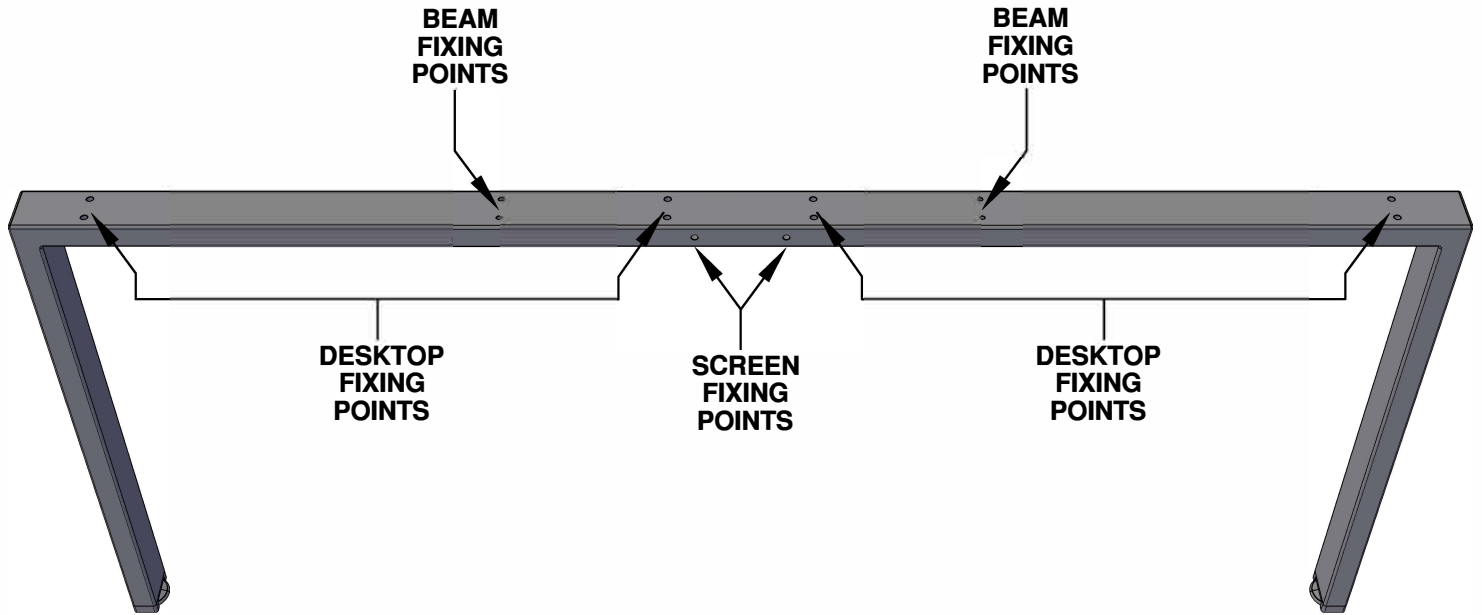


ED1600OL / ED1200OL

Adapt II Outer Leg

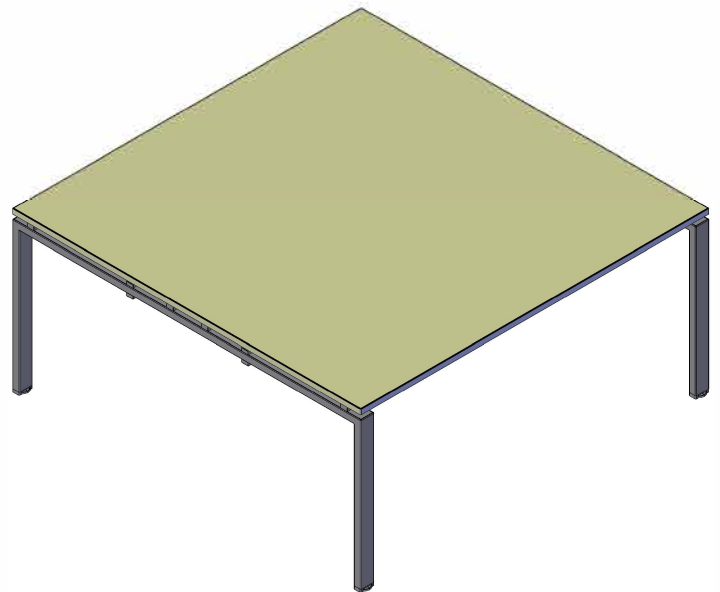


ED1600OL - 1600mm Leg Shown

Used to build

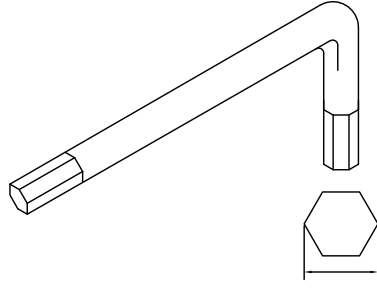
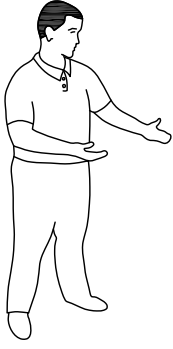


Adapt II Back to Back Desk



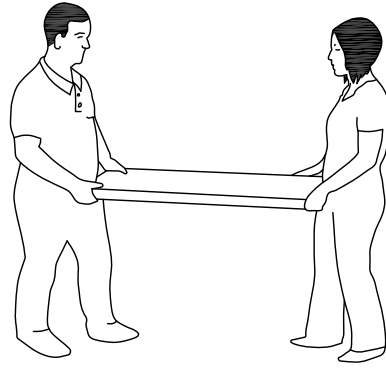
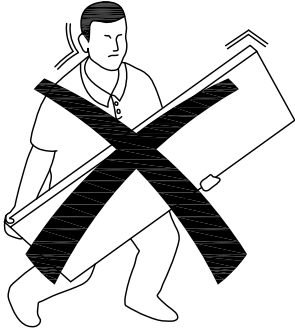
Adapt II Boardroom Table

**TOOLS REQUIRED
FOR ASSEMBLY**

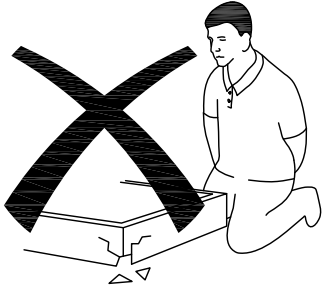


4mm

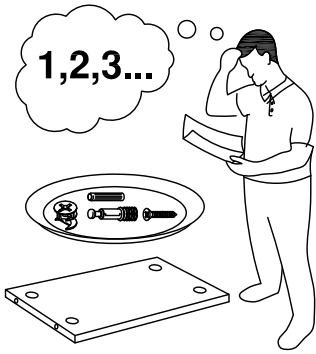
**DONT STRUGGLE
2 MAN LIFT**



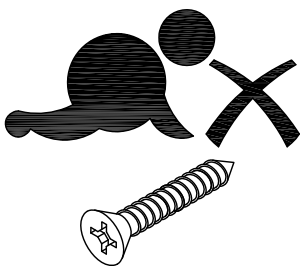
**ALWAYS HANDLE
ITEMS WITH CARE**



**IF UNSURE CALL
FOR ASSISTANCE**

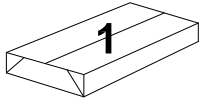


**KEEP FITTINGS AWAY
FROM CHILDREN**





Please check that you have all the components



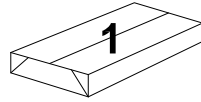
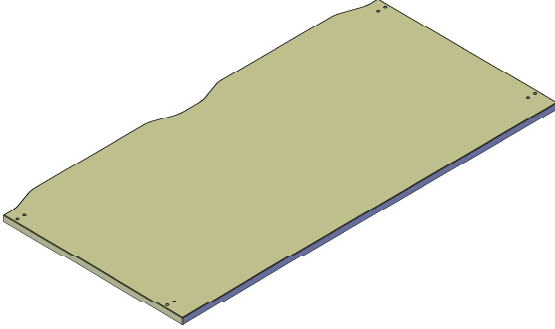
1 2 x DESK TOP

800mm Deep Tops

1200mm = ED128T
1400mm = ED148T
1600mm = ED168T

600mm Deep Tops

1200mm = ED126T
1400mm = ED146T
1600mm = ED166T



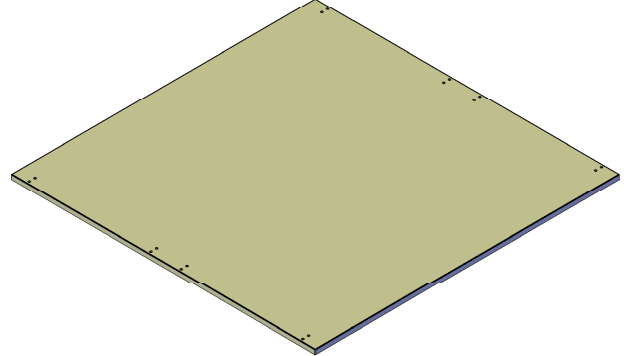
1 1 x TABLE TOP

1600mm Deep Tops

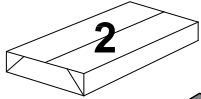
1200mm = EDBT1216T
1600mm = EDBT1616T

1200mm Deep Tops

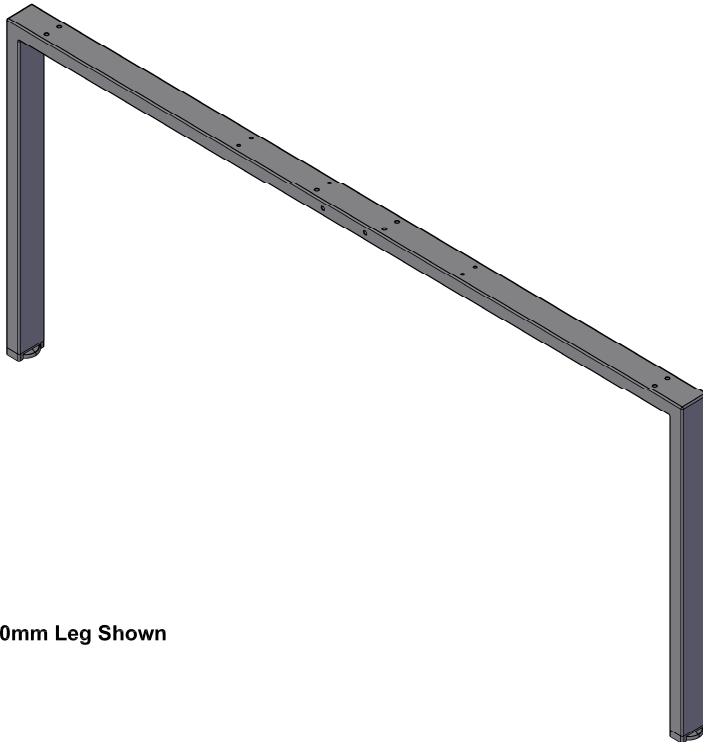
1200mm = EDBT1212T
1600mm = EDBT1612T



or



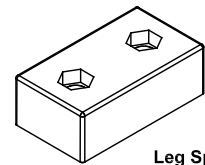
2 2 x OUTER LEG PACK (ED1600OL / ED1200OL)



ED1600OL - 1600mm Leg Shown

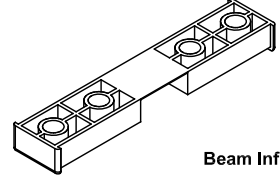
FITTINGS SUPPLIED WITH EACH LEG

4x



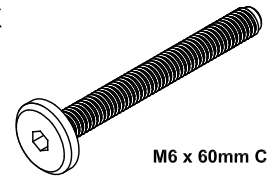
Leg Spacer Block

4x



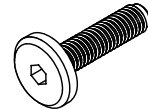
Beam Infill Block

8x

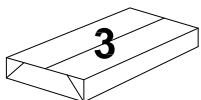


M6 x 60mm Connect Bolt

8x

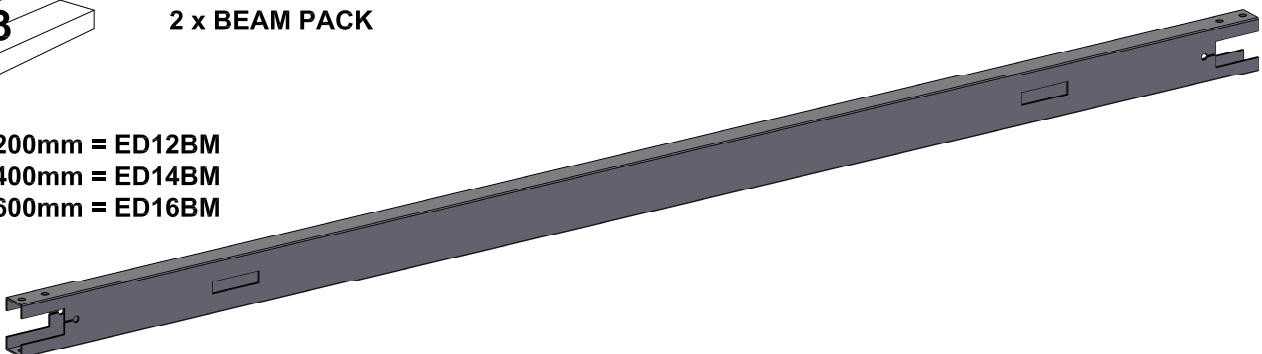


M6 x 25mm Connect Bolt



3 2 x BEAM PACK

1200mm = ED12BM
1400mm = ED14BM
1600mm = ED16BM

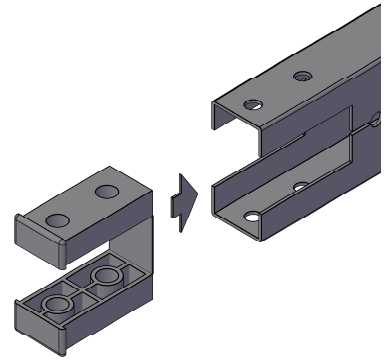
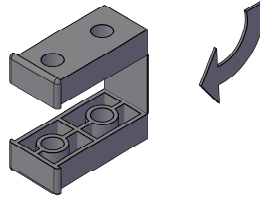
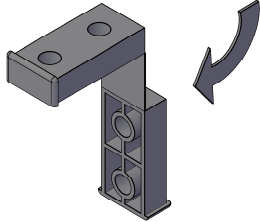
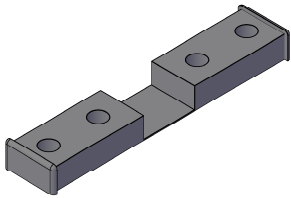


Back to Back Desk Assembly

1

Step 1

Insert the beam infill blocks into both ends of the beam.

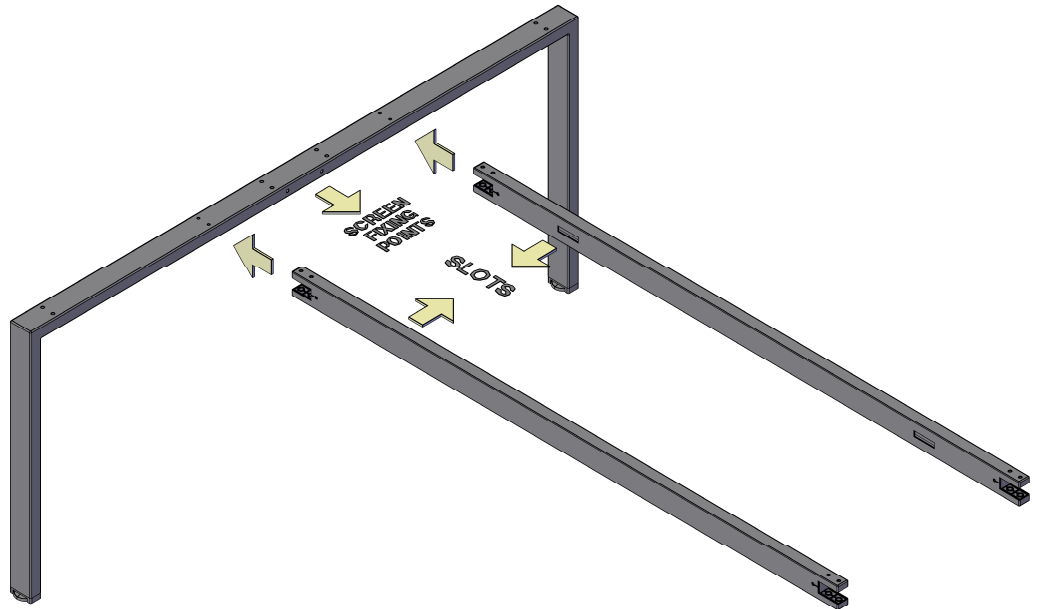


2

Step 2

Push the beams onto the 1st leg frame lining up the beam holes with the M6 threaded holes on the leg.

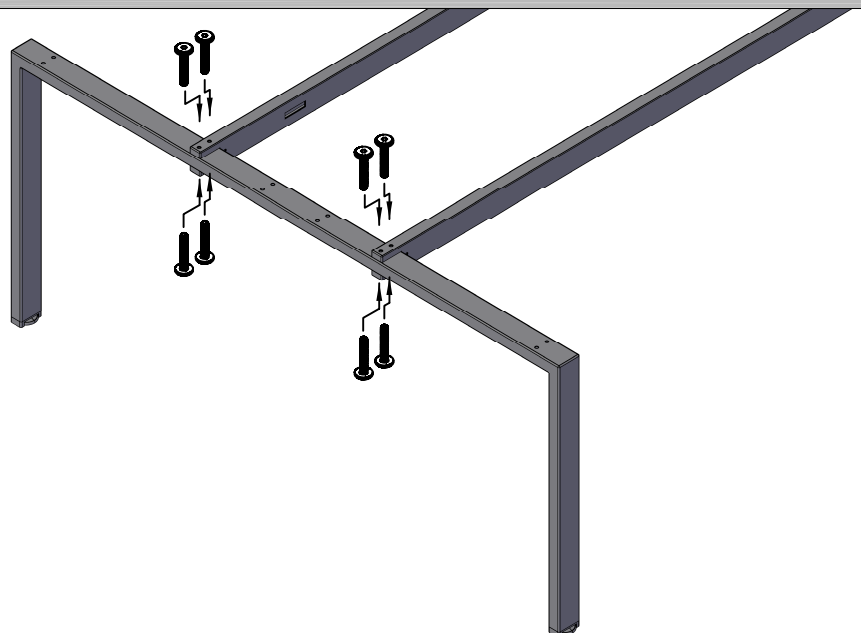
Ensure the screen fixing points on the outer leg and cut out slots on the beams are facing inwards.



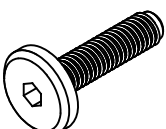
3

Step 3

Once the holes are aligned fix the beam in place using the M6 x 25mm Connect Bolts.



8x



M6 x 25mm Connect Bolt

4

Step 4

Push the beams onto the remaining leg frame lining up the beam holes with the M6 threaded holes on the leg.



Please Note

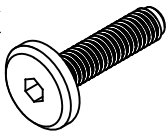
If you have purchased a larger configuration of desk than the one shown please refer to the ED1600IL/ED1200IL instruction before proceeding with step 4

5

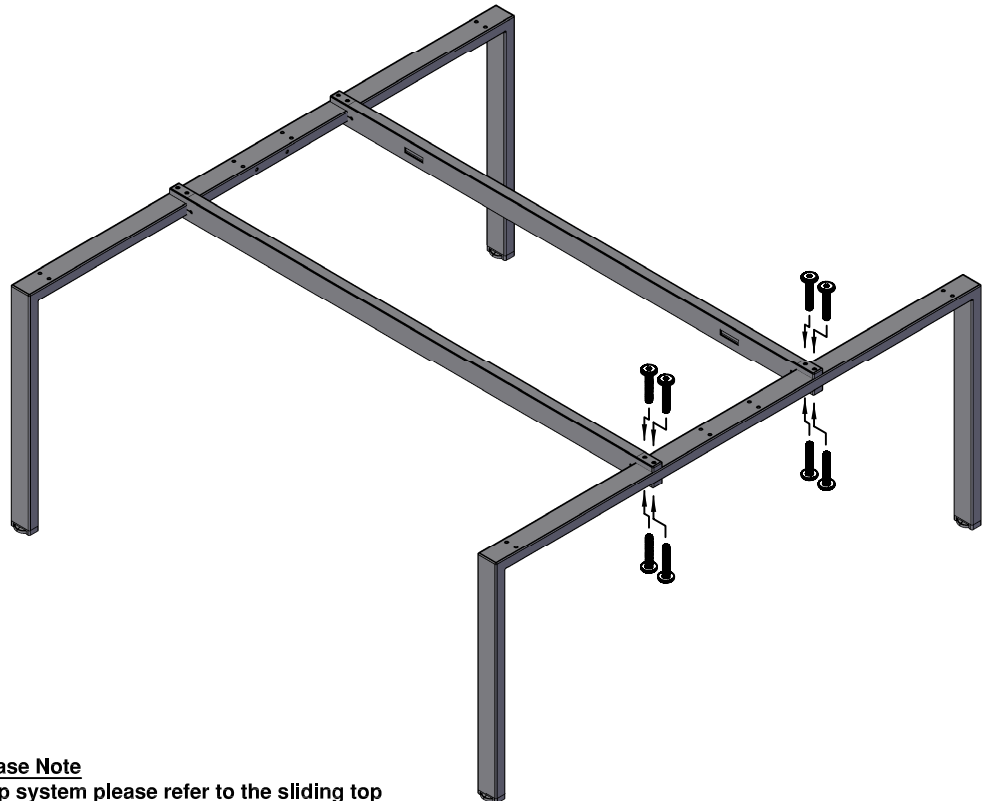
Step 5

Once the holes are aligned fix the beam in place using the M6 x 25mm Connect Bolts.

8x



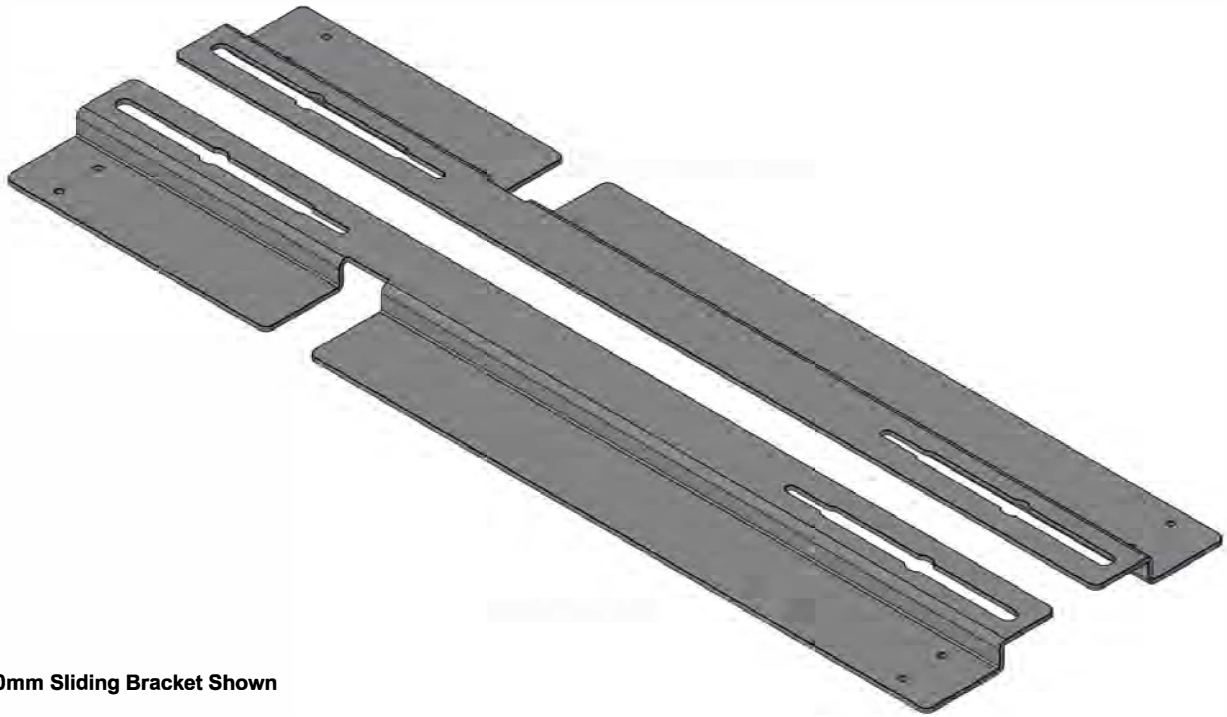
M6 x 25mm Connect Bolt



Please Note

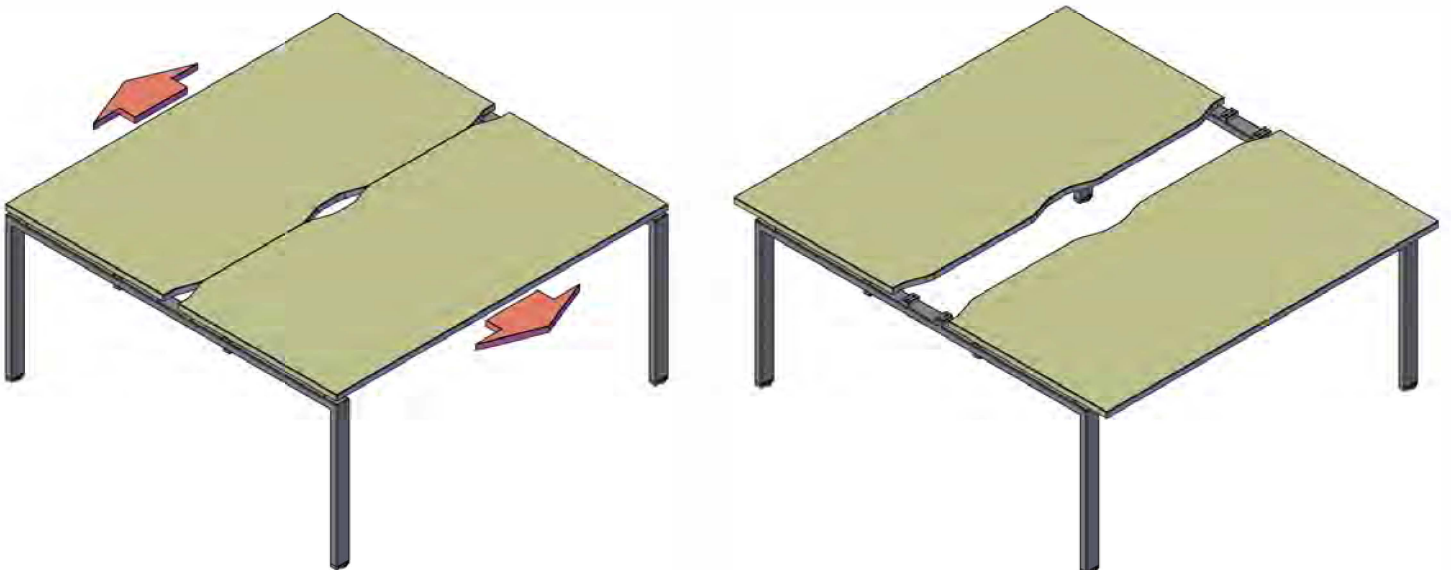
If you have purchased a sliding top system please refer to the sliding top bracket assembly Instruction from this point onwards.

ETH600OL / ETH800OL Adapt II Outer Leg Sliding Top Brackets



ETH800OL - 800mm Sliding Bracket Shown

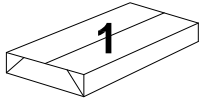
Used to build



Adapt II Back to Back Desks with Sliding Tops



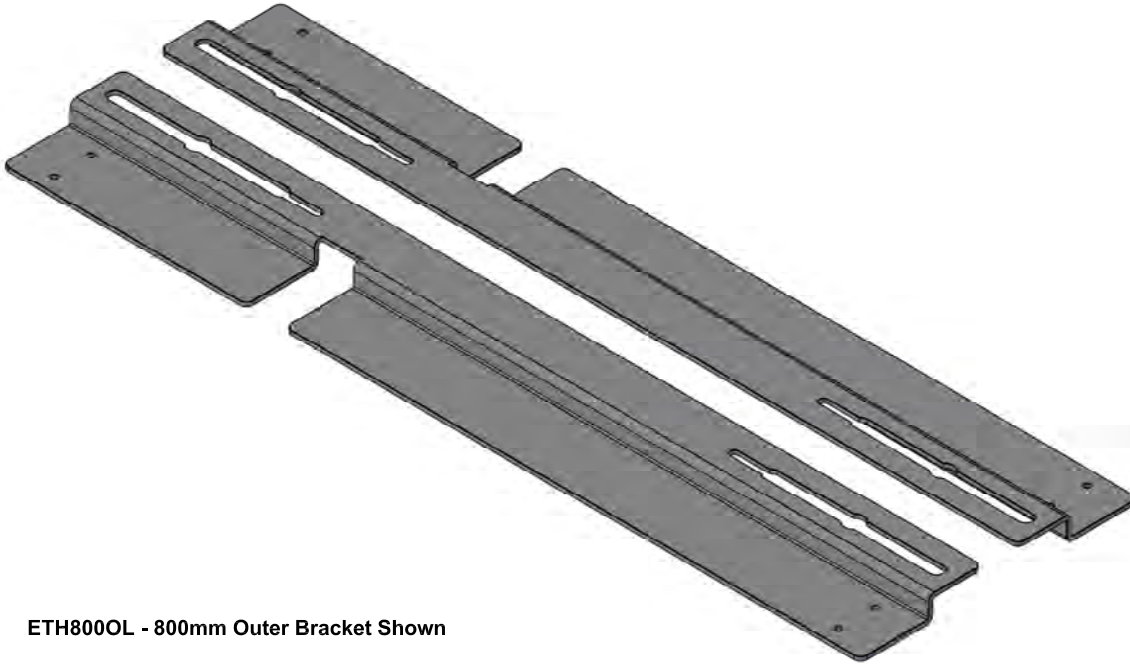
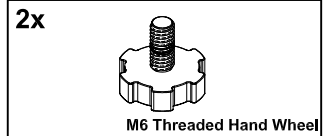
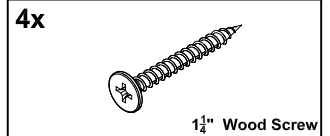
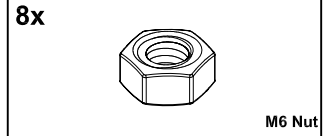
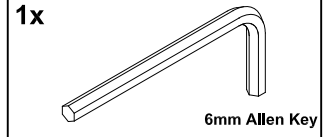
Please check that you have all the components



OUTER SLIDING TOP BRACKETS
(Number of brackets is dependant on configuration)

800mm Deep Desk Outer Bracket - ETH800OL
600mm Deep Desk Outer Bracket - ETH600OL

Fittings supplied with this bracket

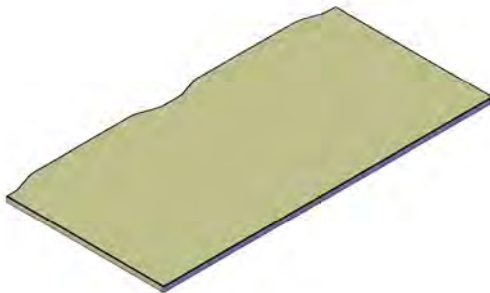
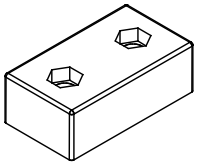


ETH800OL - 800mm Outer Bracket Shown



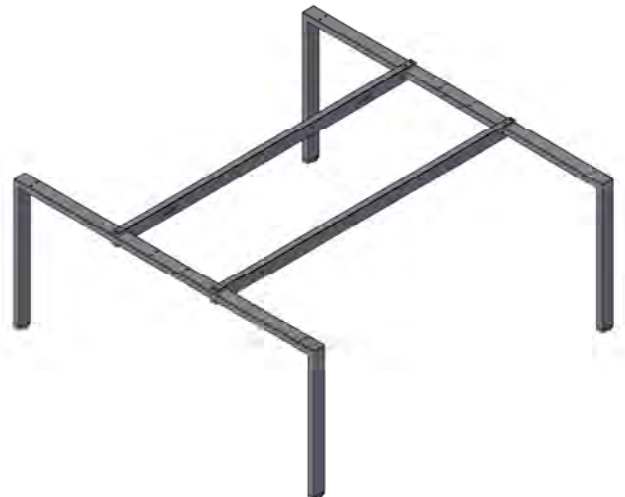
Other components required for assembly

Spacer blocks from original leg fitting packs.
Quantity is dependant on configuration



Desk tops to suit the frame

A part assembled desk frame

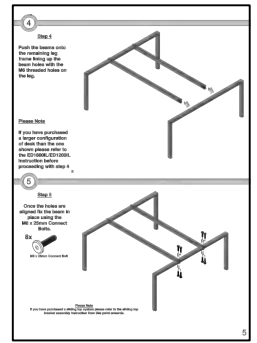
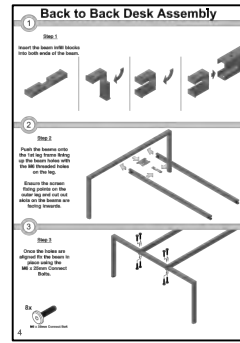
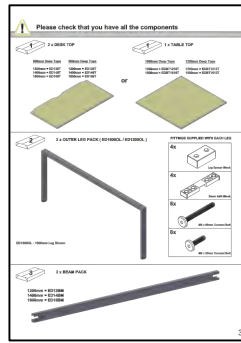
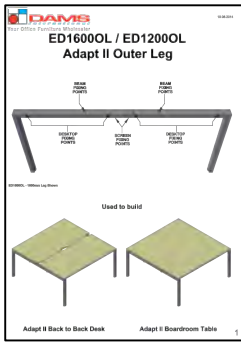


2 Person Back to Back Frame shown

Double Back to Back Desk Assembly

Please Note

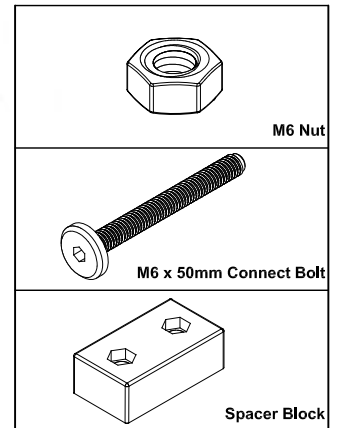
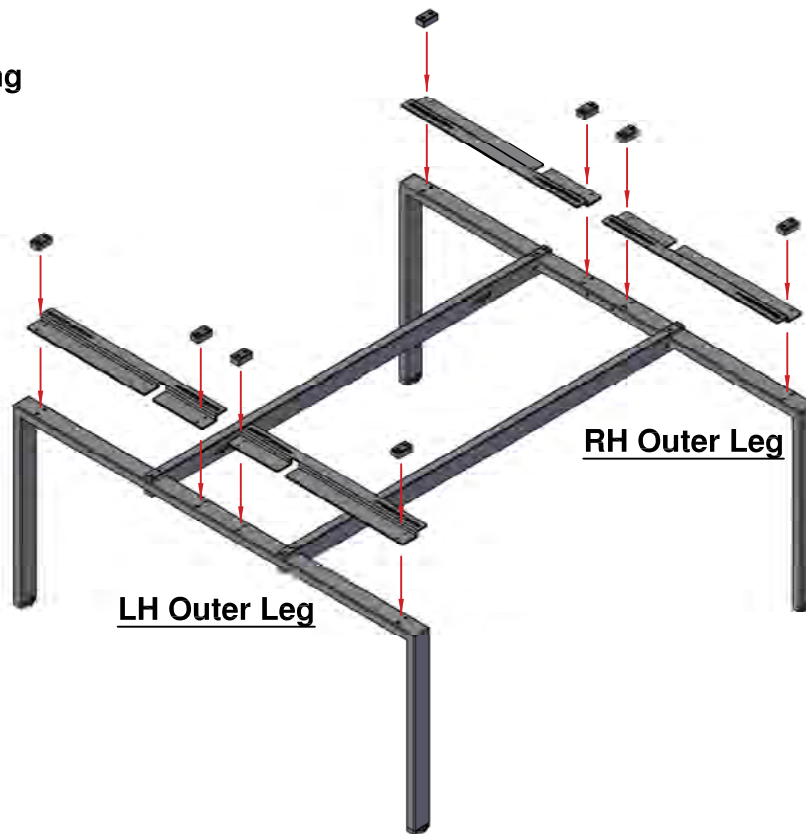
This assembly instruction follows on from step 5 on the outer leg assembly instruction ED1600OL / ED1200OL



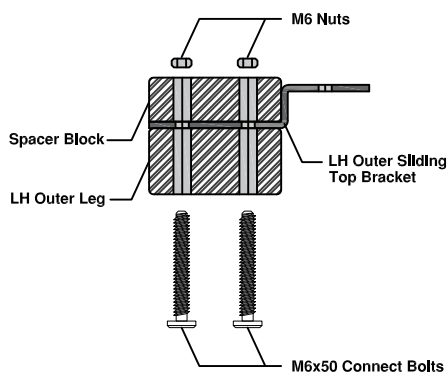
6

Step 6

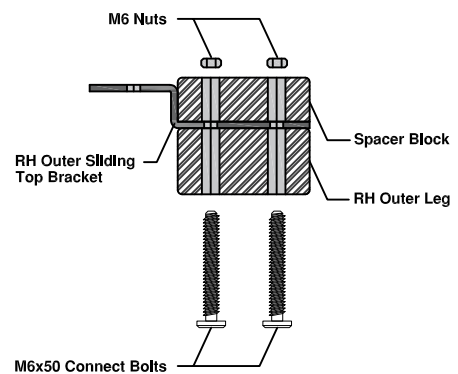
Attach the sliding top brackets to the part assembled frame using the M6 x 50mm connect bolts, spacer blocks and M6 nuts.



Front Elevation LH Outer Leg

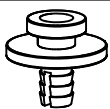


Front Elevation RH Outer Leg

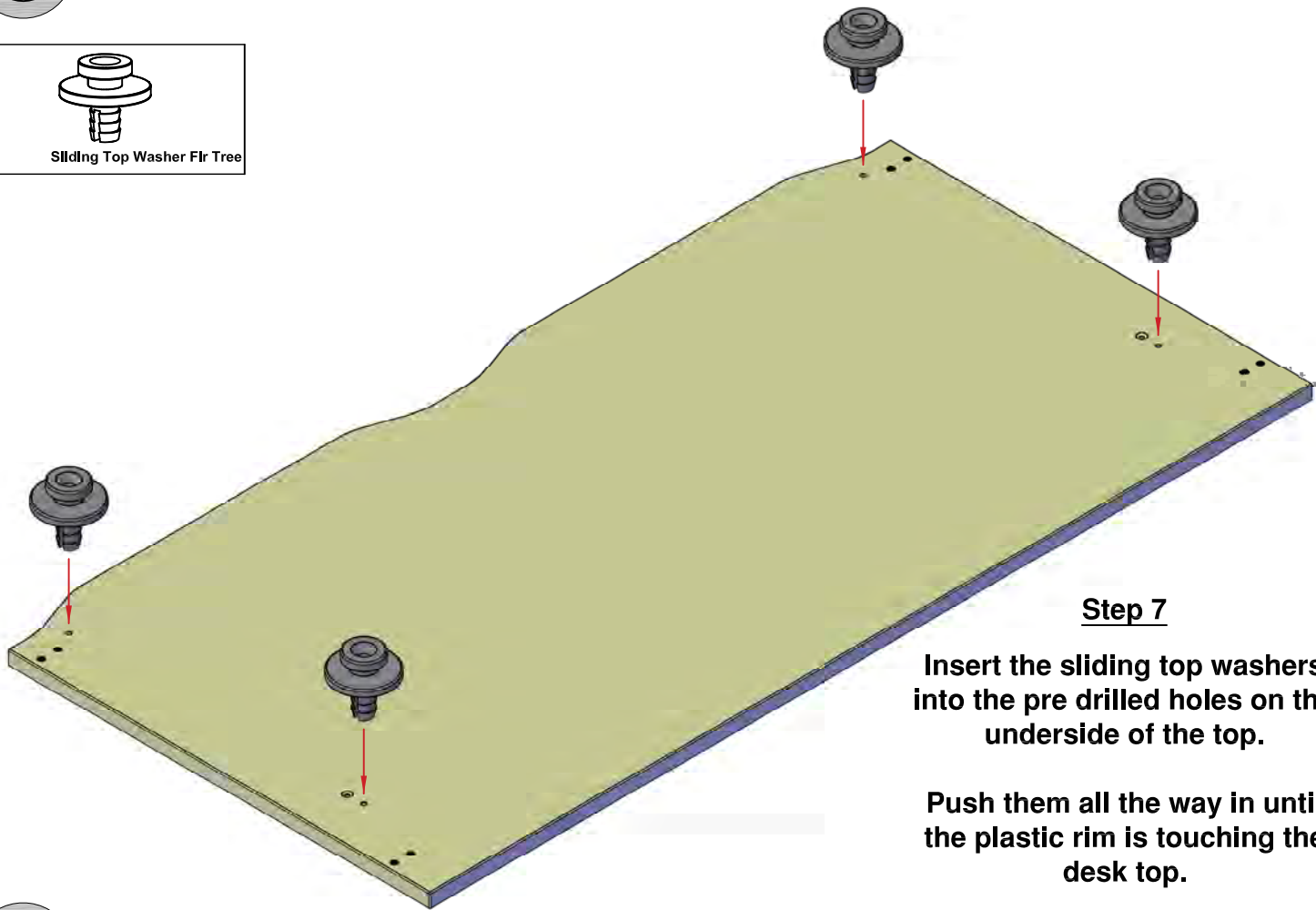


7

4x



Sliding Top Washer For Tree



Step 7

Insert the sliding top washers into the pre drilled holes on the underside of the top.

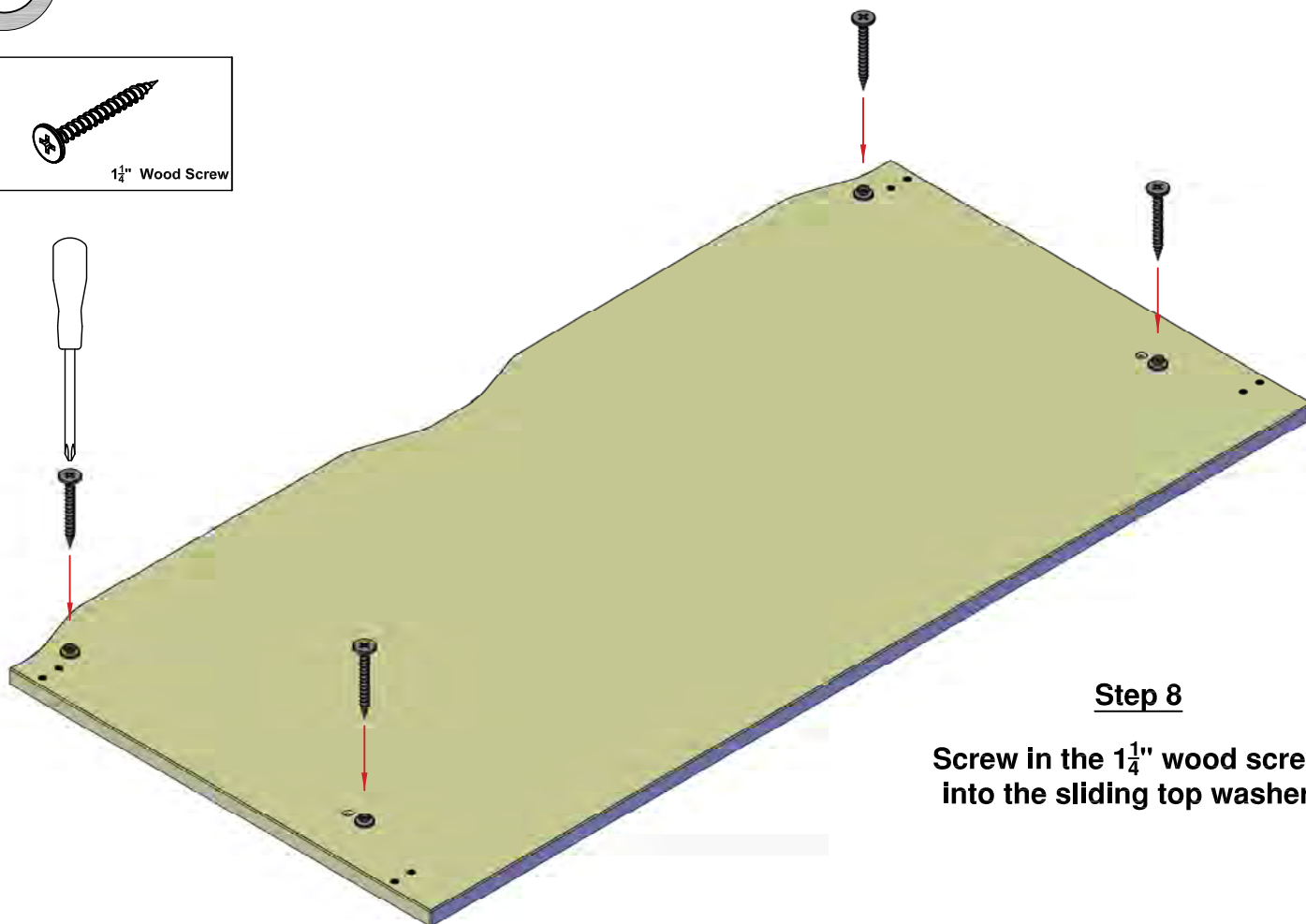
Push them all the way in until the plastic rim is touching the desk top.

8

4x



1 1/4" Wood Screw



Step 8

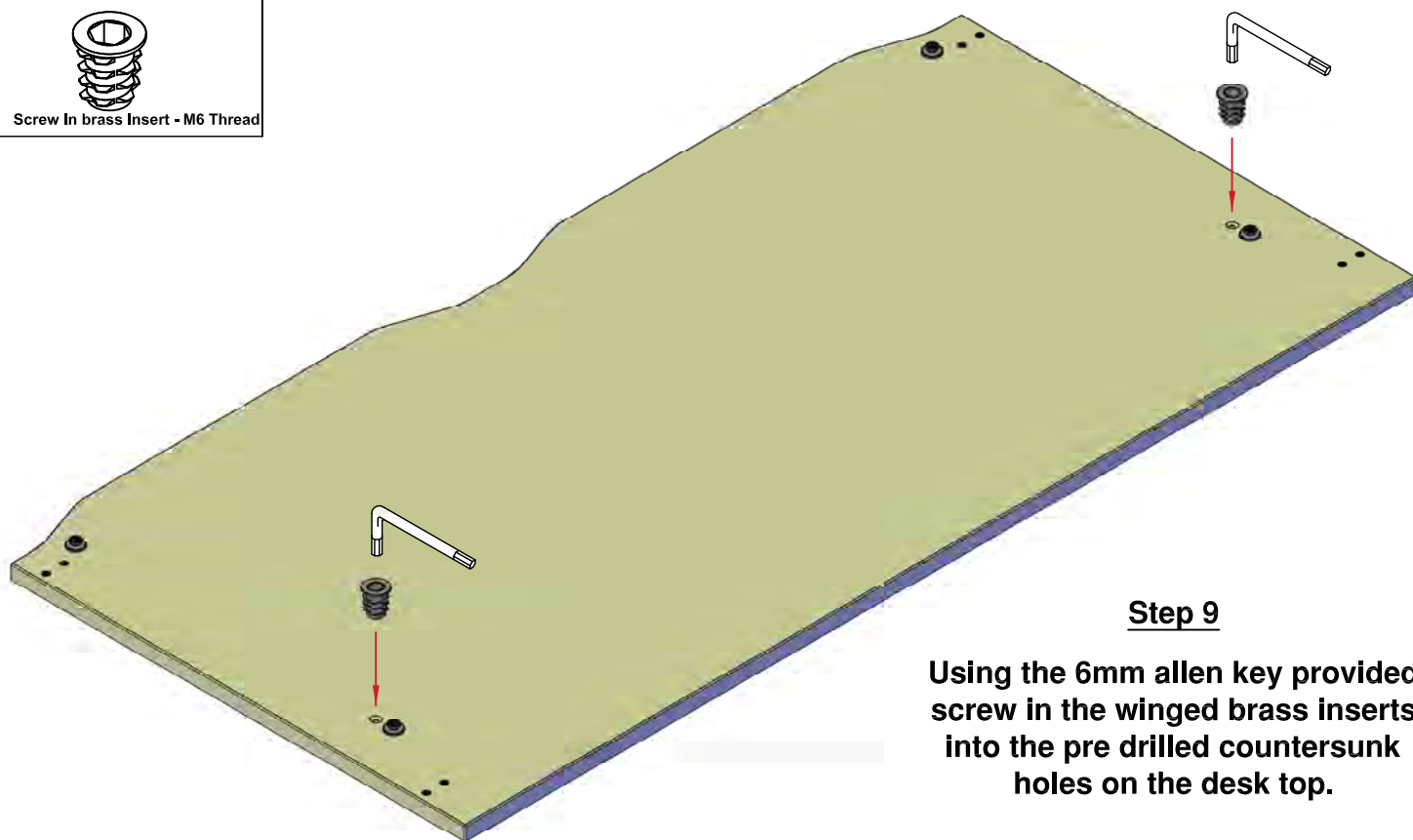
Screw in the 1 1/4" wood screws into the sliding top washers.

9

2x



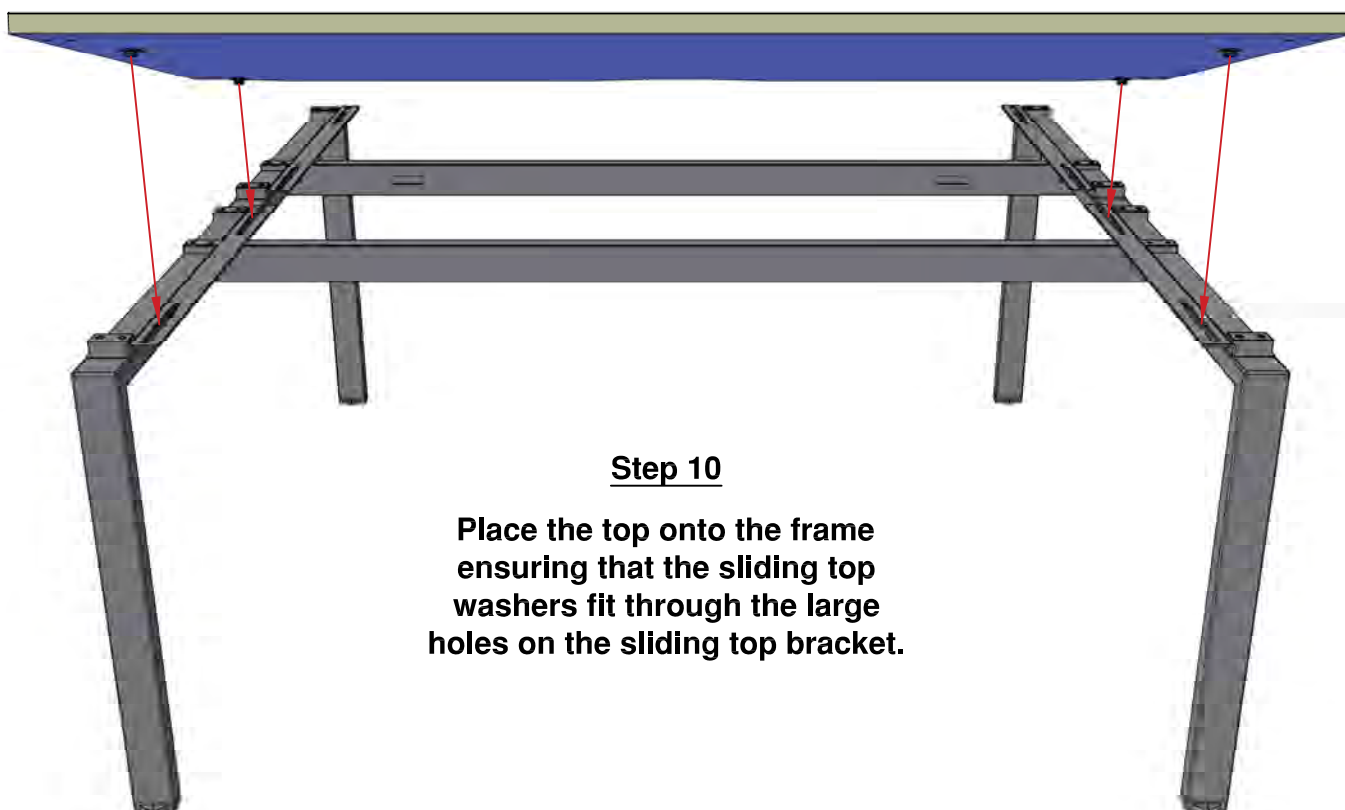
Screw In brass Insert - M6 Thread



Step 9

Using the 6mm allen key provided screw in the winged brass inserts into the pre drilled countersunk holes on the desk top.

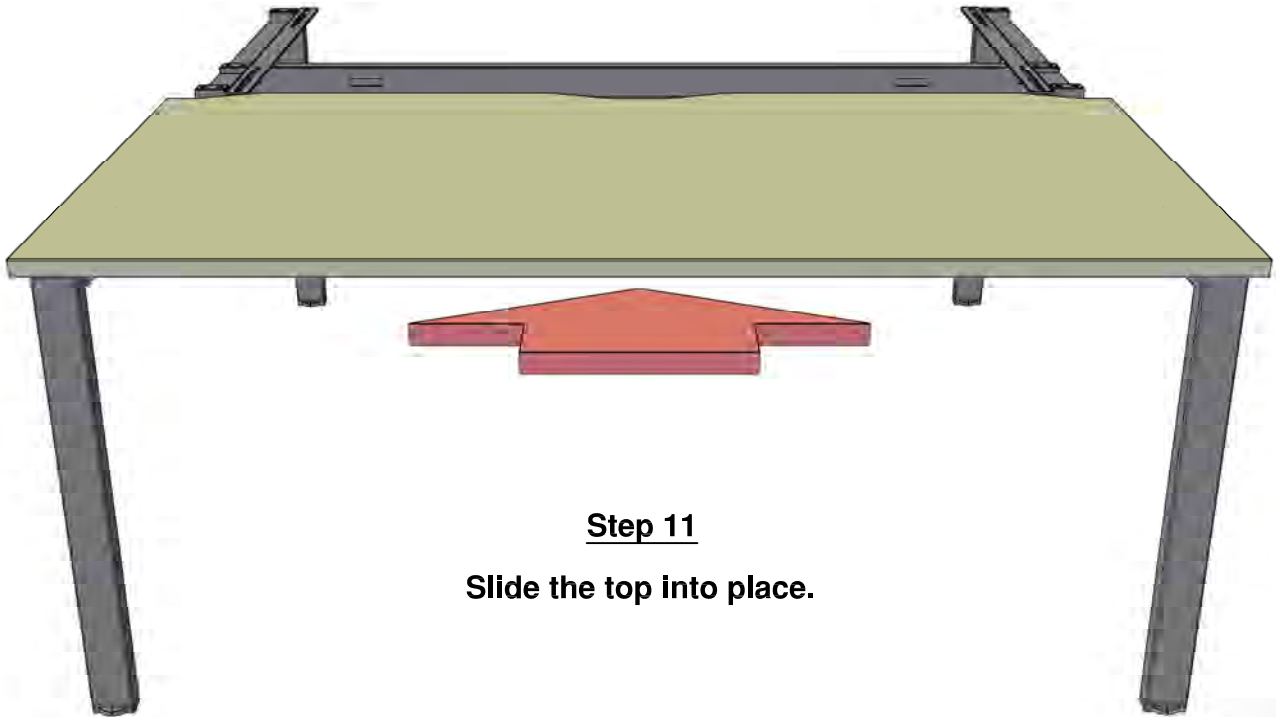
10



Step 10

Place the top onto the frame ensuring that the sliding top washers fit through the large holes on the sliding top bracket.

11



Step 11

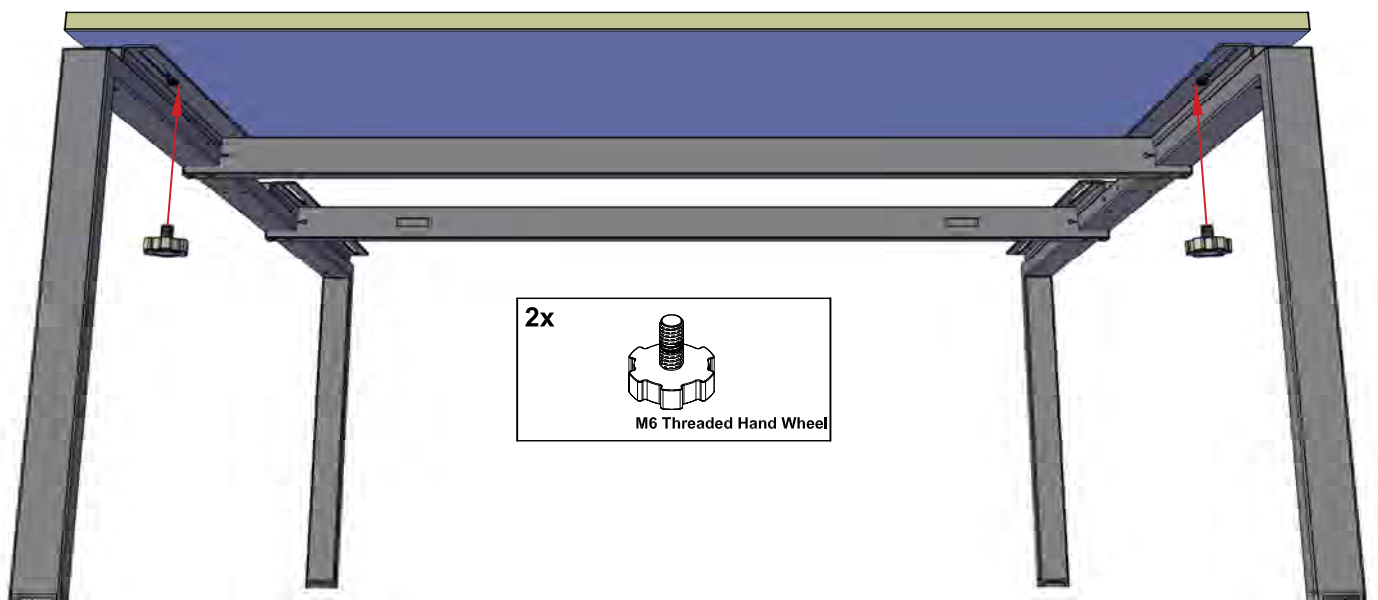
Slide the top into place.

12

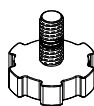
Step 12

Screw the hand wheels into the brass inserts and fully tighten to prevent the top from sliding.

The top is now in the locked position, to release the top to access cable management unscrew the hand wheels slightly to free the top, the top should now slide freely.



2x



M6 Threaded Hand Wheel