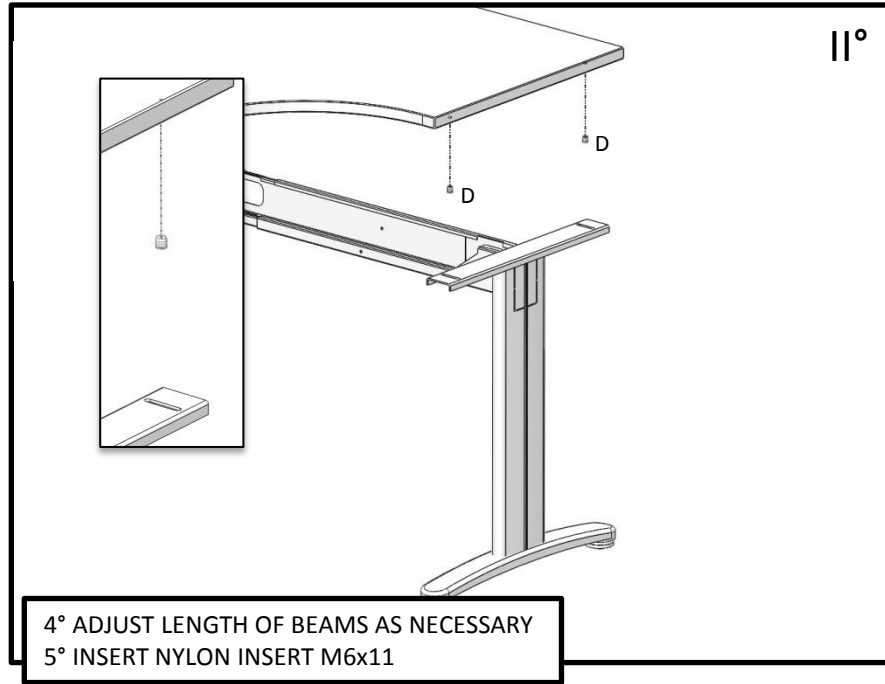
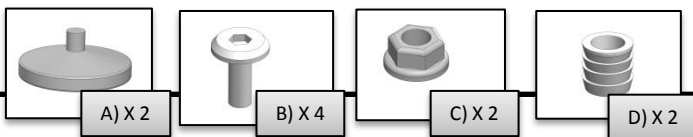
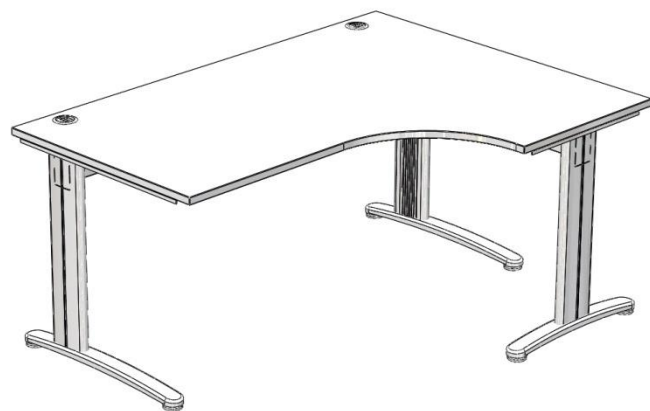
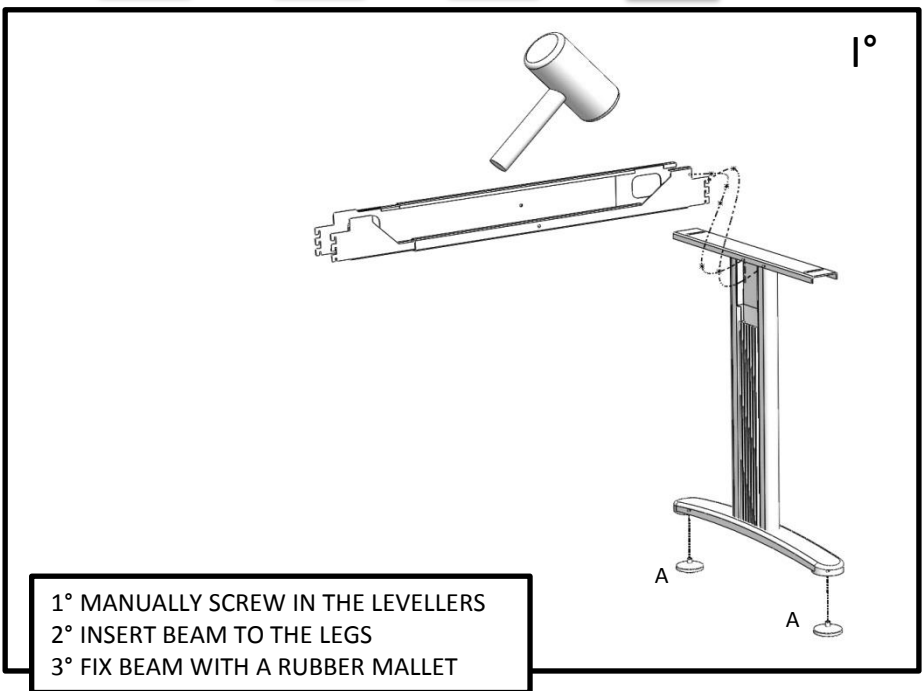


DAMS TR10 TSI 600

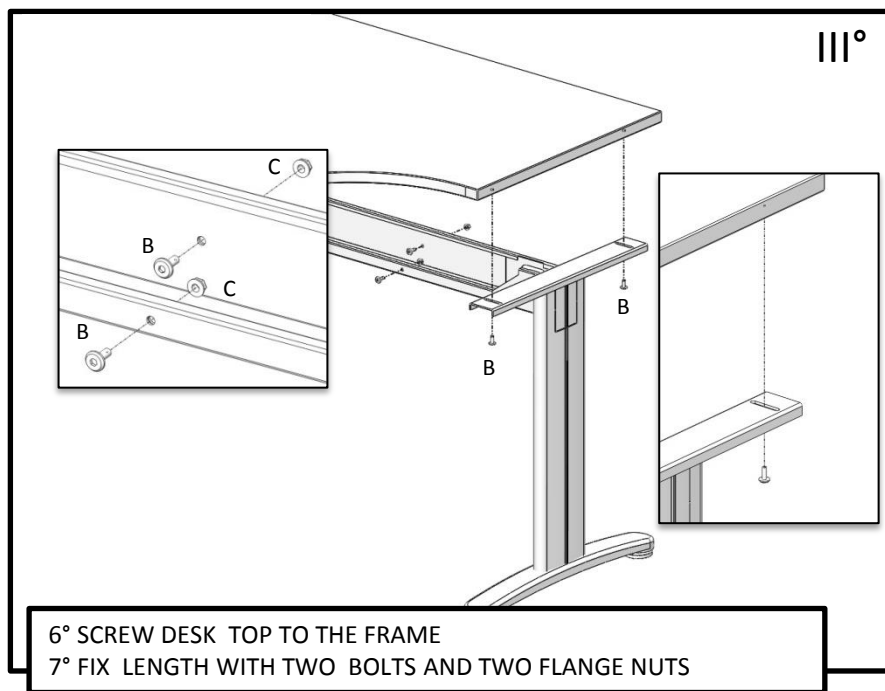
TSI 600 BOX 60x75x8 cm kg=6



4° ADJUST LENGTH OF BEAMS AS NECESSARY
5° INSERT NYLON INSERT M6x11



1° MANUALLY SCREW IN THE LEVELLERS
2° INSERT BEAM TO THE LEGS
3° FIX BEAM WITH A RUBBER MALLET



6° SCREW DESK TOP TO THE FRAME
7° FIX LENGTH WITH TWO BOLTS AND TWO FLANGE NUTS