



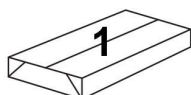
0151 548 7111

www.dams.com

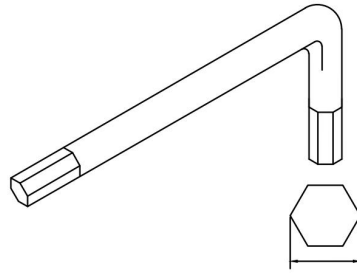
Flexi Tables



Assembly Instructions

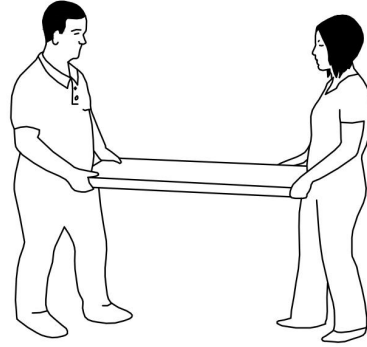


**TOOLS REQUIRED
FOR ASSEMBLY**

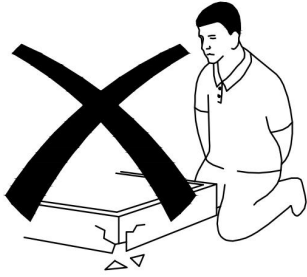


M6 & M8 Allen key provided

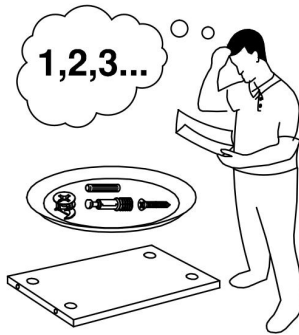
**DONT STRUGGLE
2 MAN LIFT**



**ALWAYS HANDLE
ITEMS WITH CARE**

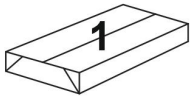


**IF UNSURE CALL
FOR ASSISTANCE**

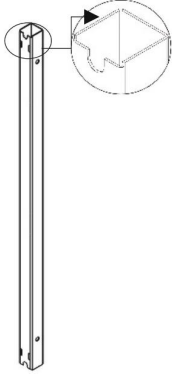




Please check that you have all the components



A: FRAME
LARGE
SIDE
2PCS



B: FRAME
SMALL
SIDE
2PCS



C: LEGS
4PCS



D: BRACKET
4PCS



E: M6x40 HEX HEAD BOLT
10PCS



F: M8x65 HEX HEAD BOLT
4PCS



G: M8 SPRING WASHER
4PCS



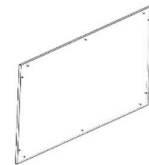
H: DOWEL
10PCS



I: M6 ALLEN KEY
1PCS



J: M8 ALLEN KEY
1PCS

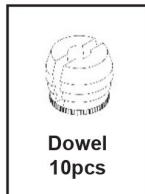


K: TABLE TOP
1PCS

1

Step 1

Lay the table top on a flat surface with the holes pointing upwards. Insert the plastic dowels (H) into the table top (K) using a hammer or rubber mallet

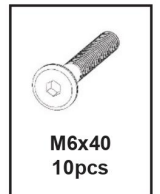


Dowel
10pcs

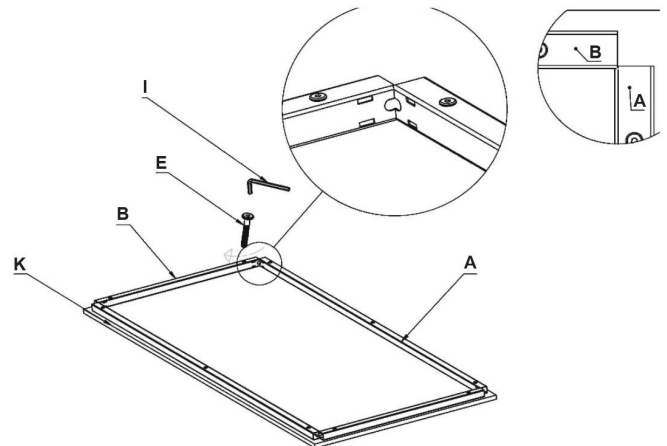
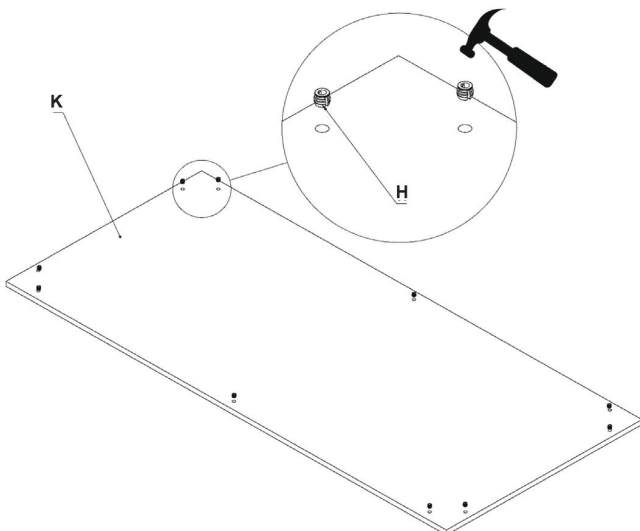
2

Step 2

Loosely attach the frame large side (A) and the frame small side (B) to the table top using the M6x40 bolt (E)



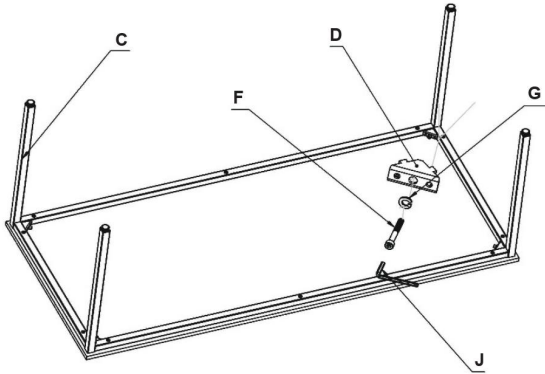
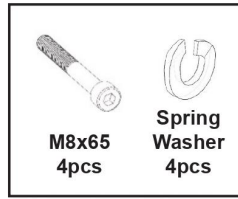
M6x40
10pcs



3

Step 3

Locate the corner brackets (**D**) into the 4 slot cut-outs in the frame. Fix the legs (**C**) in place using the M8x65 bolts (**F**) and the spring washers (**G**)

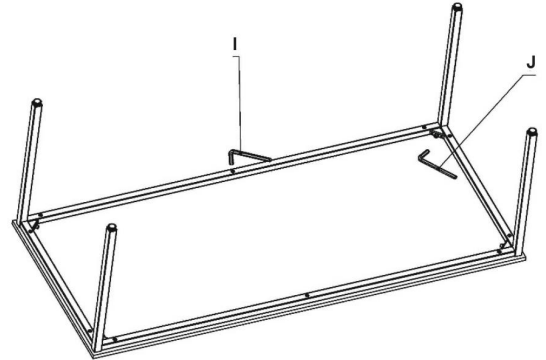


4

Step 4

Once all legs are in place, tighten all bolts using the allen keys provided

Note: If using an electric tool be careful not to overtighten.



5

Step 5

When all bolts are secure, rotate the table to its upright position and move into place. Adjust feet as necessary

Recommended two person lift

