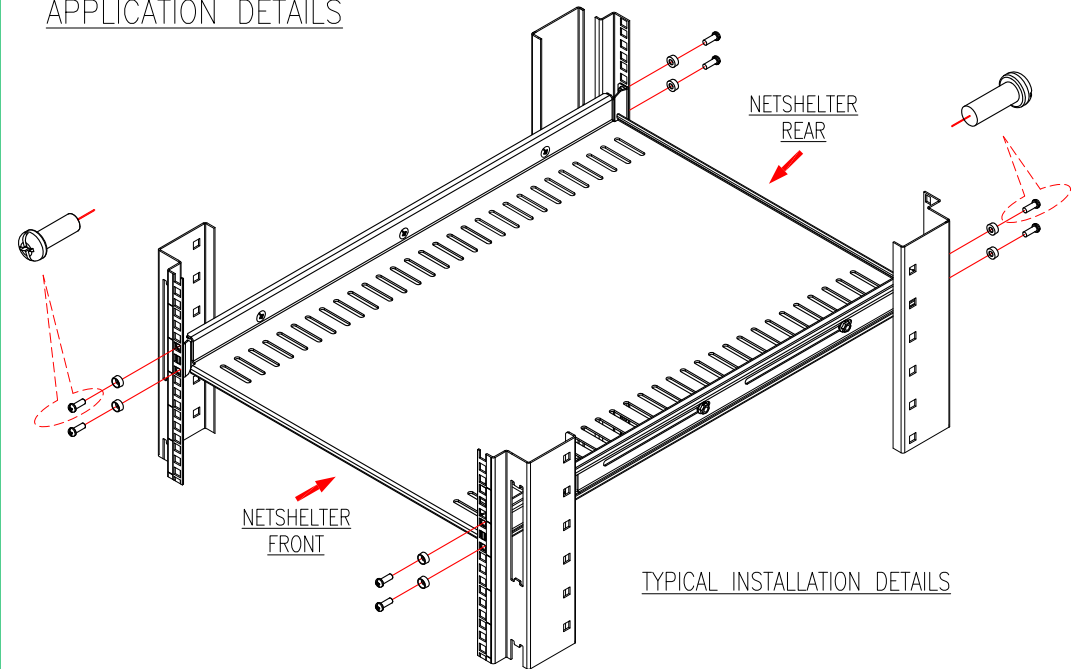


**APPLICATION DETAILS**



**NOTES:**

1. INSTALLATION SHALL COMPLY WITH ALL APPLICABLE NATIONAL AND LOCAL CODES.
2. SEE PRODUCT DOCUMENTATION FOR FURTHER INFORMATION.
3. UNLESS OTHERWISE SPECIFIED, ALL DIMENSIONS ARE IN INCHES (MILLIMETERS).
4. WEIGHT OF ONE UNIT IS 18 LBS [8.18 kg].
5. EACH SKU OF AR8122BLK INCLUDES (8) M6x16 SCREWS, (8) M6 CUP WASHERS.

THIS DRAWING AND SPECIFICATIONS HEREIN ARE THE PROPERTY OF SCHNEIDER ELECTRIC AND SHALL NOT BE COPIED, REPRODUCED OR USED IN WHOLE OR IN PART, AS THE BASIS FOR THE MANUFACTURE OR SALE OF ITEMS WITHOUT WRITTEN PERMISSION FROM SCHNEIDER ELECTRIC. THIS DRAWING IS BASED UPON LATEST AVAILABLE INFORMATION AND IS SUBJECT TO CHANGE WITHOUT NOTICE.



**TITLE:**  
FIXED SHELF 250 LBS [114 kg], BLACK  
MAIN MECHANICAL

PROJECT: STD SUBMITTAL DRAWINGS SHEET 1 OF 1

**DWG NO:** AR8122BLK

**DRAWN BY:** BALAMURUGAN 05-MAR-08

**ENGINEER:** M UHRHAN/B OLIVER 05-MAR-08

**APPROVED BY:** B SHENDANE/SILVIO LARSENIS/INCH 05-MAR-08

REV 0

PROJ  
ANGLE  
N/A