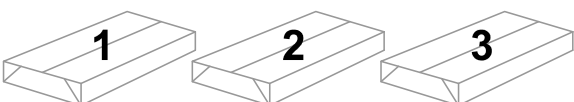
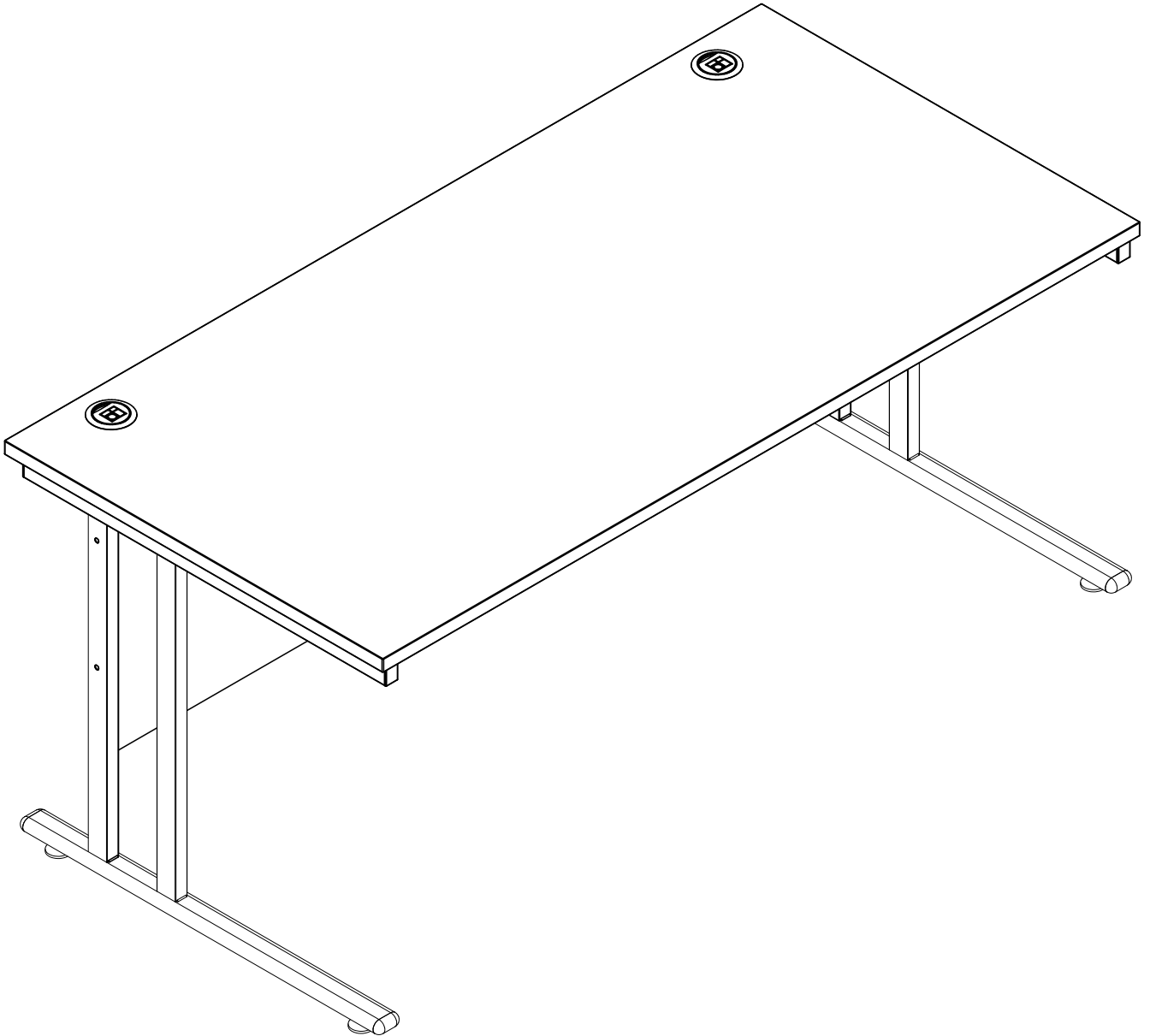




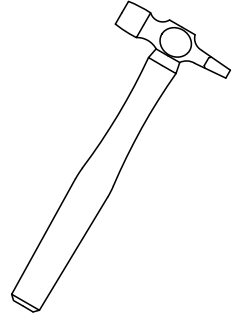
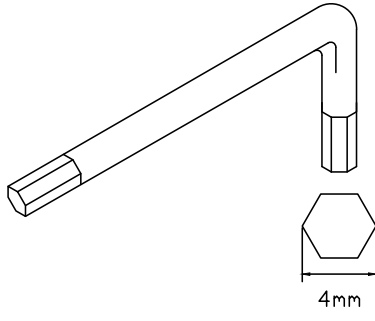
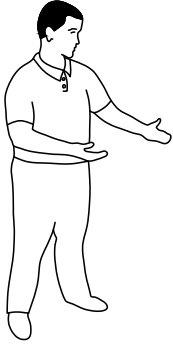
Maestro 25 Desking

M258

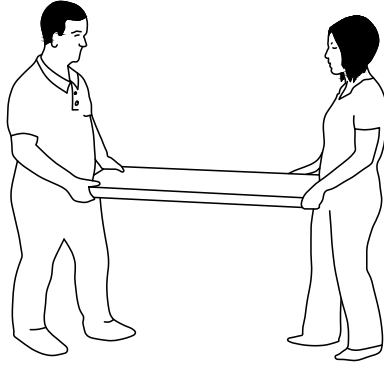
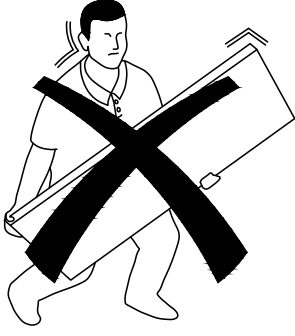
800mm Cantilever Leg Frame



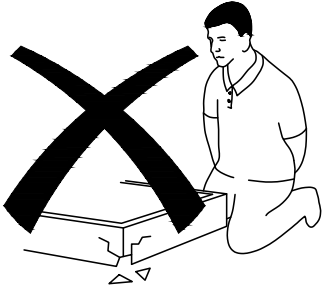
**TOOLS REQUIRED
FOR ASSEMBLY**



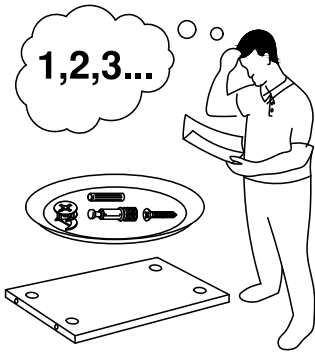
**DONT STRUGGLE
2 MAN LIFT**



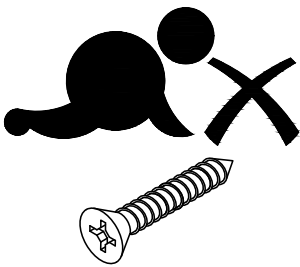
**ALWAYS HANDLE
ITEMS WITH CARE**



**IF UNSURE CALL
FOR ASSISTANCE**

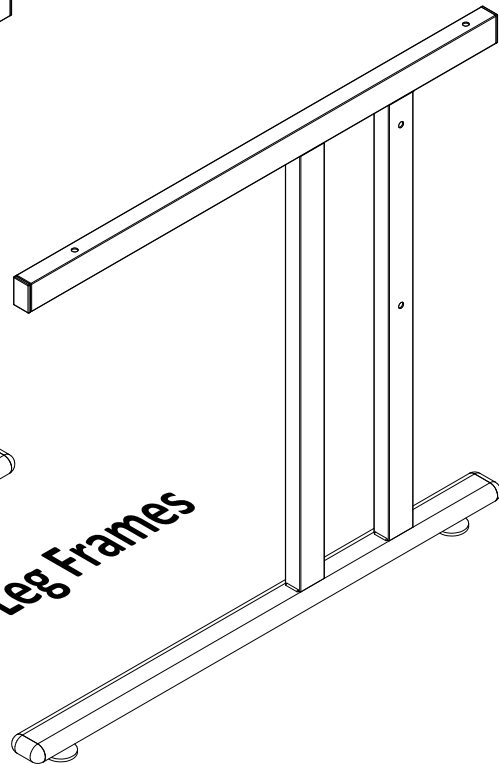
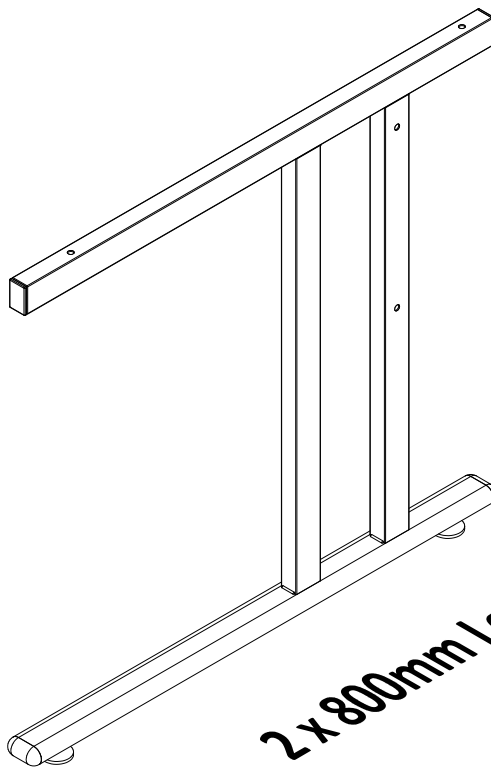
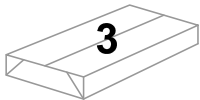
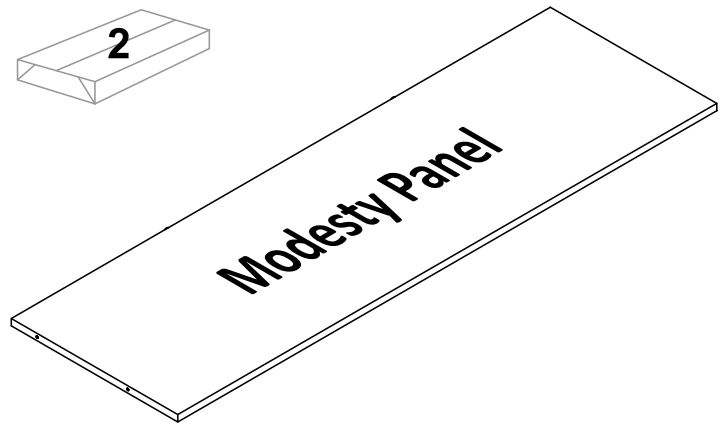
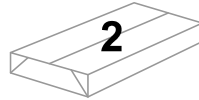
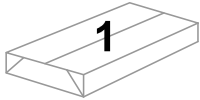


**KEEP FITTINGS AWAY
FROM CHILDREN**





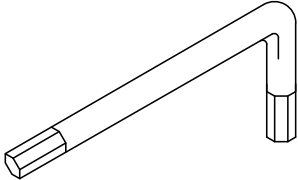
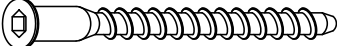
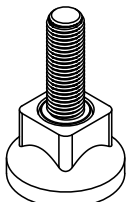

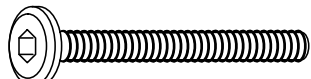
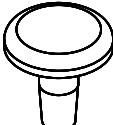
Please check that you have all the components!



2 x 800mm Leg Frames

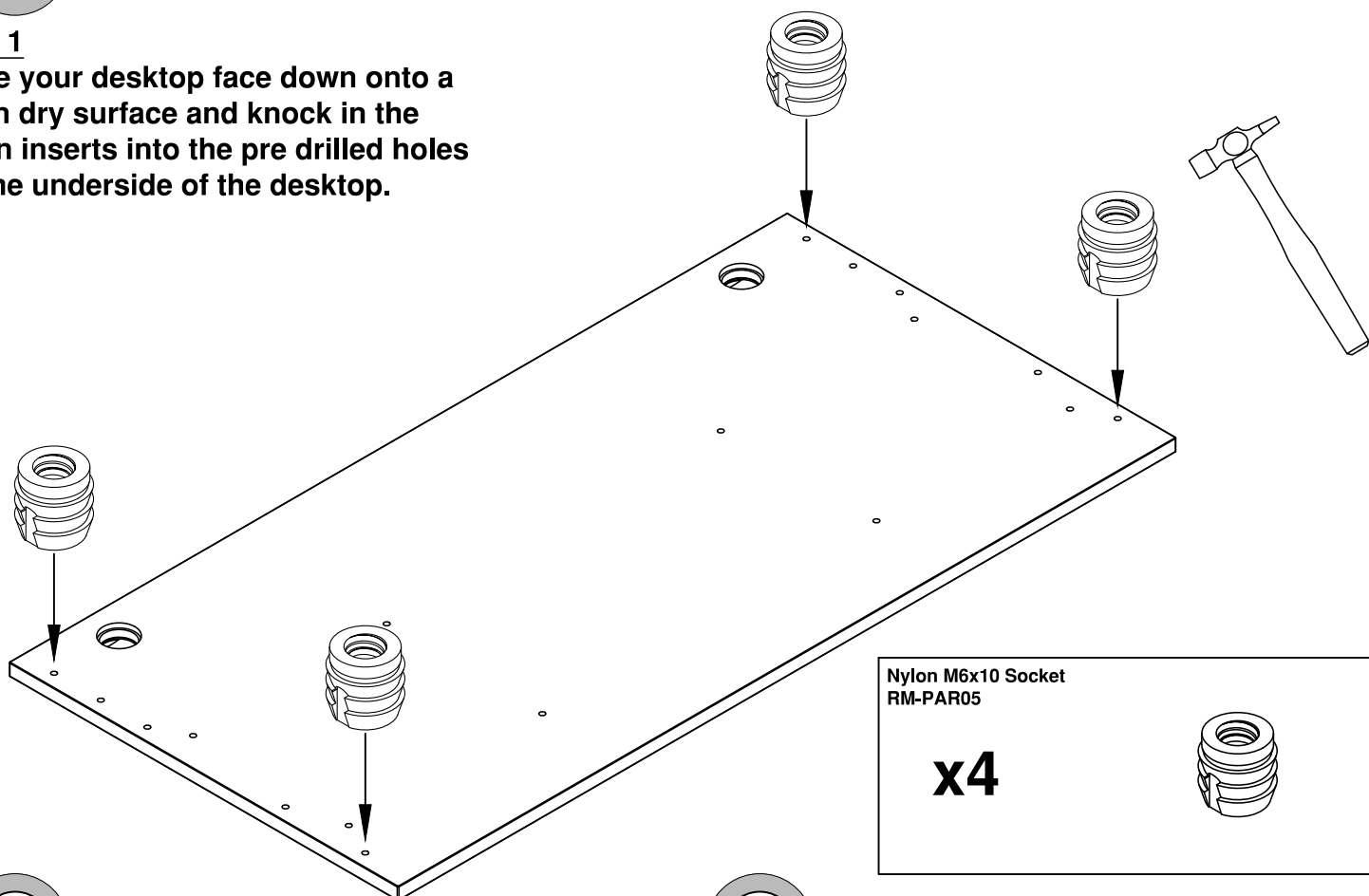


Please check that you have all the hardware!

<p>4mm Allen Key RM-ALK01</p> <p>x1</p> 	<p>Confirmat Screw 70mm (Silver) RM-CFM04</p> <p>x4</p> 	<p>Adjustable Foot Dia 38mm RM-FRL20</p> <p>x4</p> 
<p>Nylon M6x10 Socket RM-PAR05</p> <p>x4</p> 	<p>Connect Bolt M6x50mm RM-BLT05</p> <p>x4</p> 	<p>Spacer Peg RM-FRL08</p> <p>x2</p> 

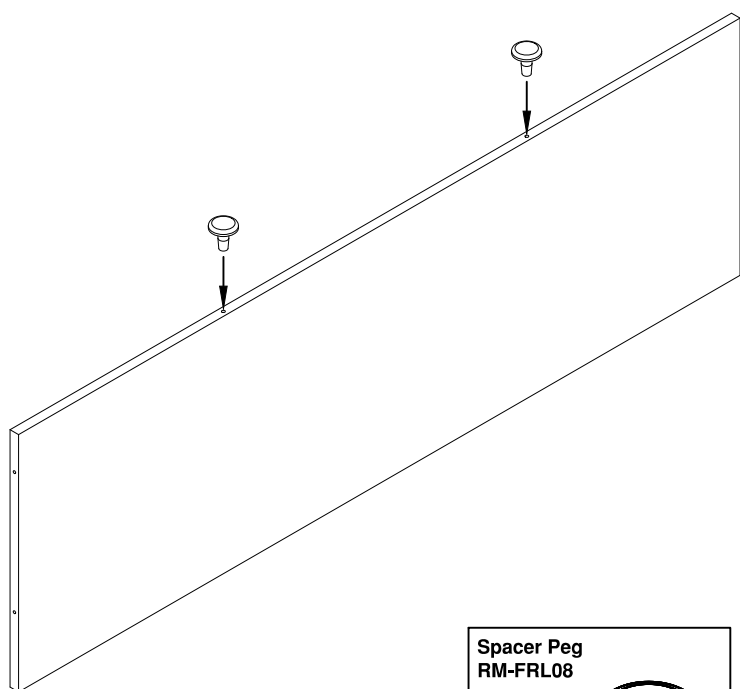
1

Step 1
Place your desktop face down onto a clean dry surface and knock in the nylon inserts into the pre drilled holes on the underside of the desktop.



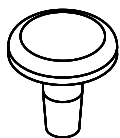
2

Step 2
Insert the spacer pegs into the top of the modesty panel



Spacer Peg
RM-FRL08

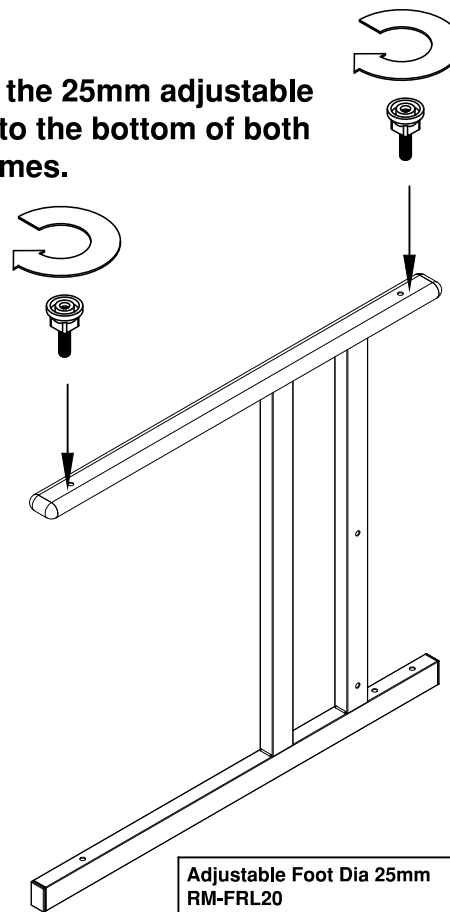
x2



4

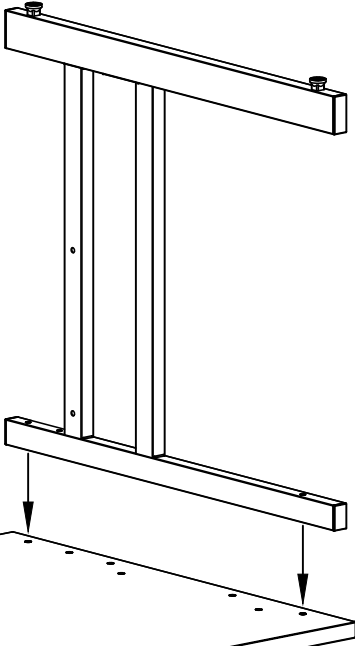
3

Step 3
Screw the 25mm adjustable feet into the bottom of both leg frames.



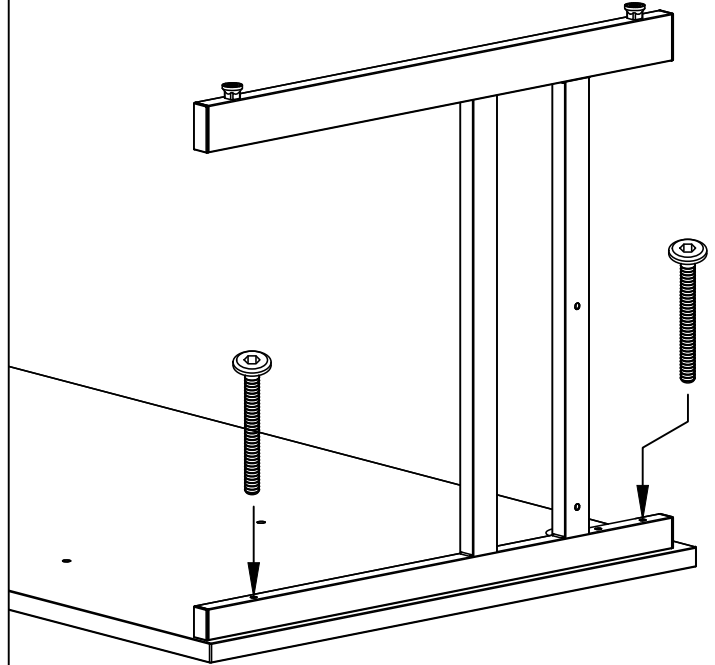
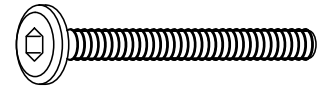
4

Step 4
Attach the LH leg to the desktop using the M6x50mm connect bolts.



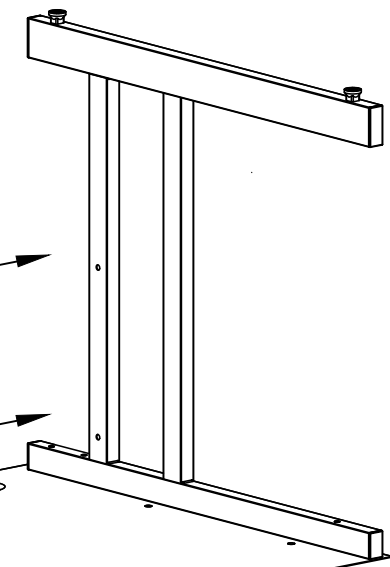
Connect Bolt M6x50mm
RM-BLT05

x2



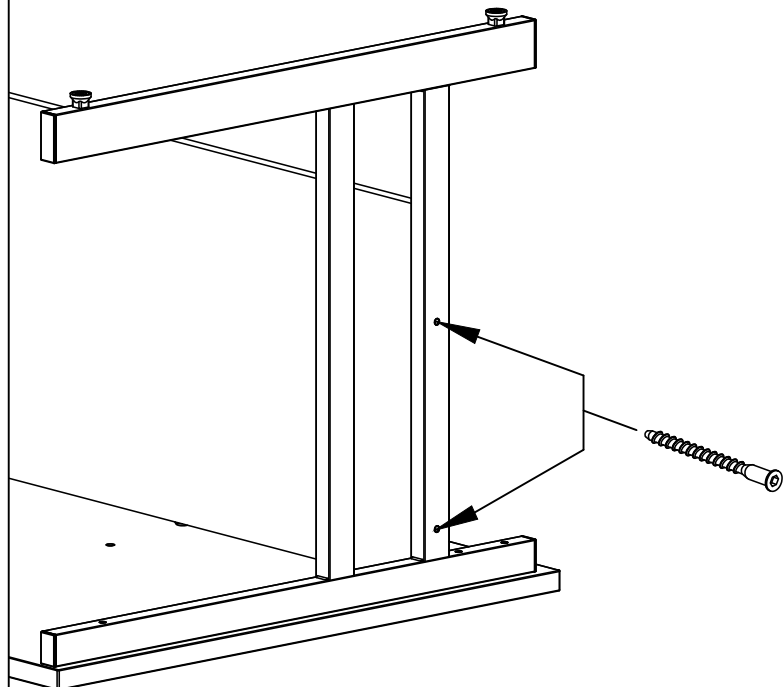
5

Step 5
Attach the modesty panel to the leg using the 70mm confirmat screws.



Confirmat Screw 70mm (Silver)
RM-CFM04

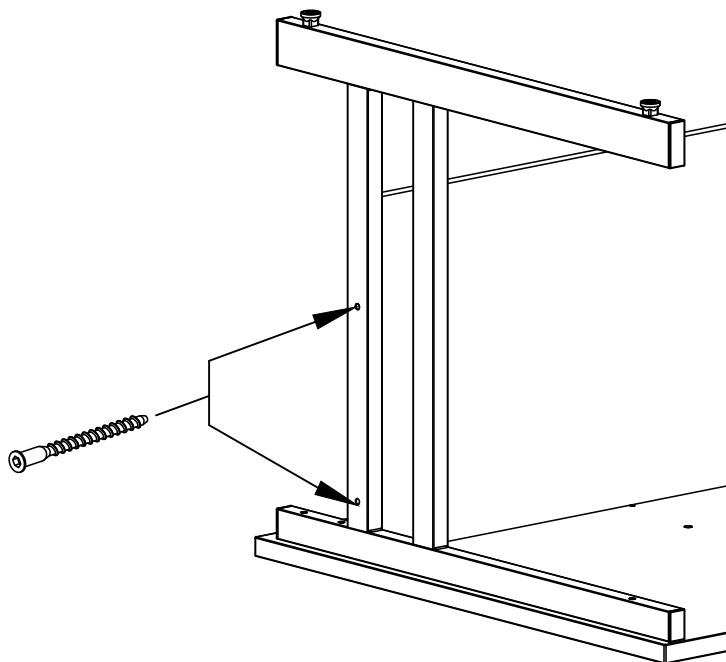
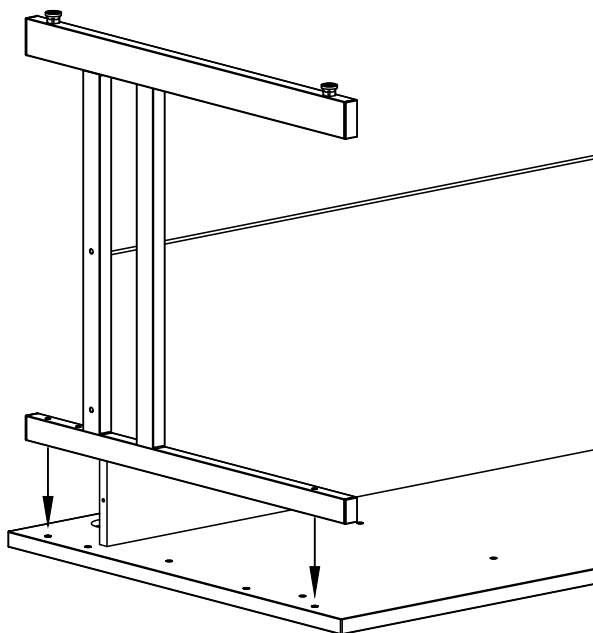
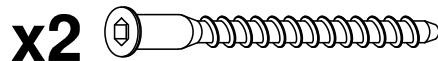
x2



6

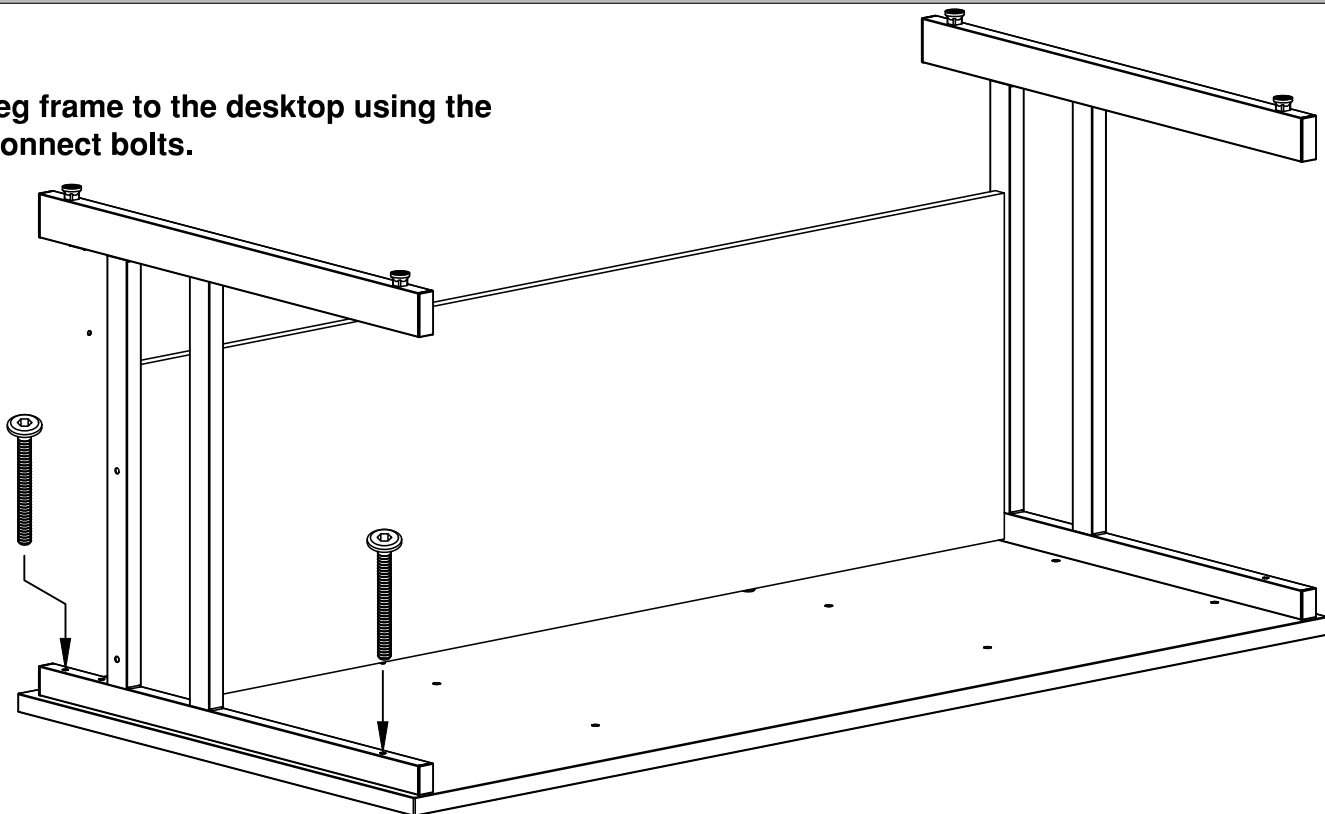
Step 6
Place the RH leg frame onto the desktop and attach to the modesty panel using the 70mm confirmat screws.

Confirmat Screw 70mm (Silver)
RM-CFM04



7

Step 7
Attach the leg frame to the desktop using the M6x50mm connect bolts.



Connect Bolt M6x50mm
RM-BLT05

