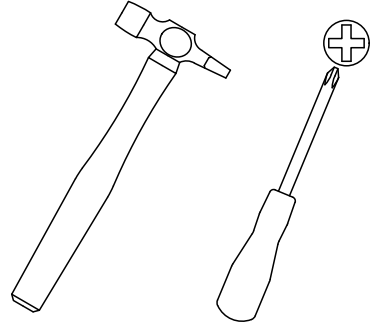
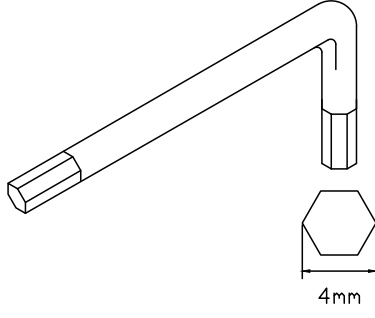
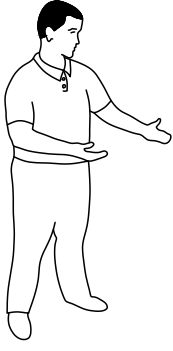
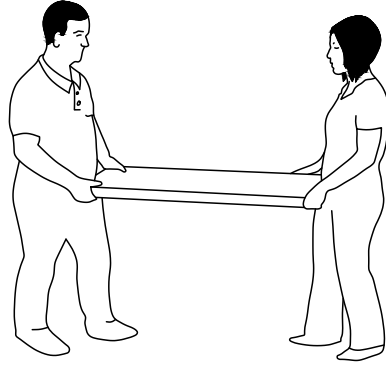
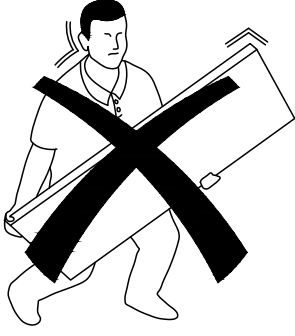


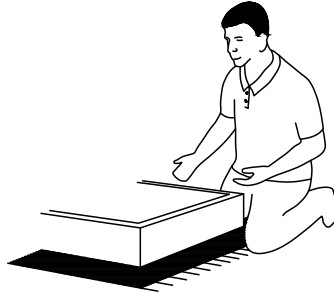
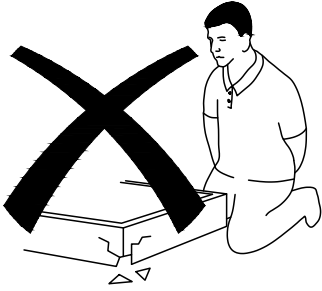
**TOOLS REQUIRED  
FOR ASSEMBLY**



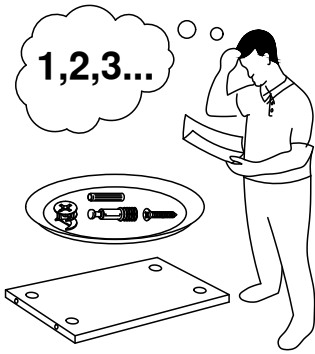
**DON'T STRUGGLE  
2 MAN LIFT**



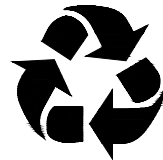
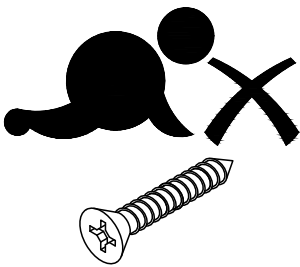
**ALWAYS HANDLE  
ITEMS WITH CARE**



**IF UNSURE CALL  
FOR ASSISTANCE**

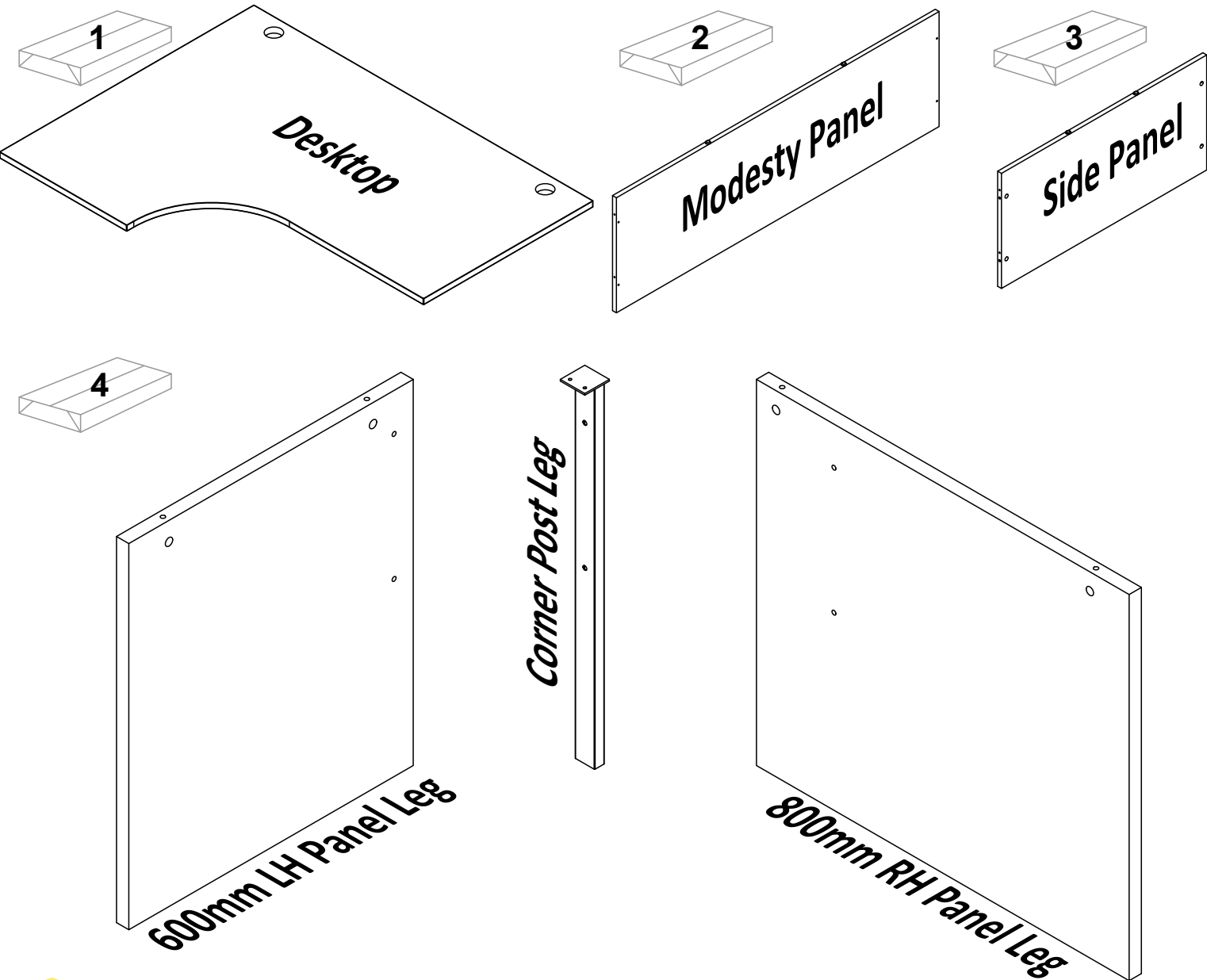


**KEEP FITTINGS AWAY  
FROM CHILDREN**

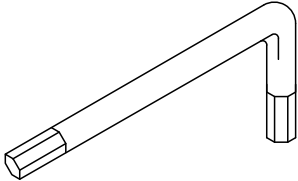
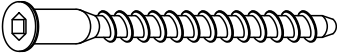
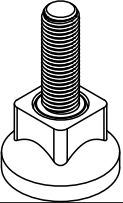
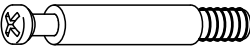

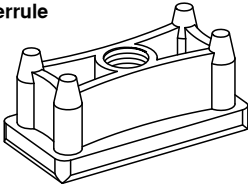




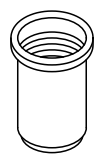




Please check that you have all the components!



Please check that you have all the hardware!

<p>4mm Allen Key RM-ALK01</p> <p><b>x1</b></p> 	<p>Confirmat Screw 70mm (Silver) RM-CFM04</p> <p><b>x6</b></p> 	<p>Adjustable Foot Dia 25mm RM-FRL19</p> <p><b>x5</b></p> 		
<p>M6x34mm Minifix Bolt RM-BLT07</p> <p><b>x4</b></p> 	<p>24mm Woodfix Pin RM-PIN04</p> <p><b>x2</b></p> 	<p>40x20mm M8 Threaded Ferrule RM-FRL10</p> <p><b>x1</b></p> 		
<p>4x20mm Wood Screw RM-SCR37</p> <p><b>x1</b></p> 	<p>Nylon M6x10 Socket RM-PAR05</p> <p><b>x2</b></p> 	<p>M6 Brass Insert RM-PAR03</p> <p><b>x2</b></p> 	<p>15mm Minifix Cam RM-CAM03</p> <p><b>x6</b></p> 	<p>M8 Gesipa Insert RM-NUT04</p> <p><b>x4</b></p> 

1

**Step 1**

Place your desktop face down onto a clean dry surface and knock the inserts into the pre drilled holes on the underside of the desktop.

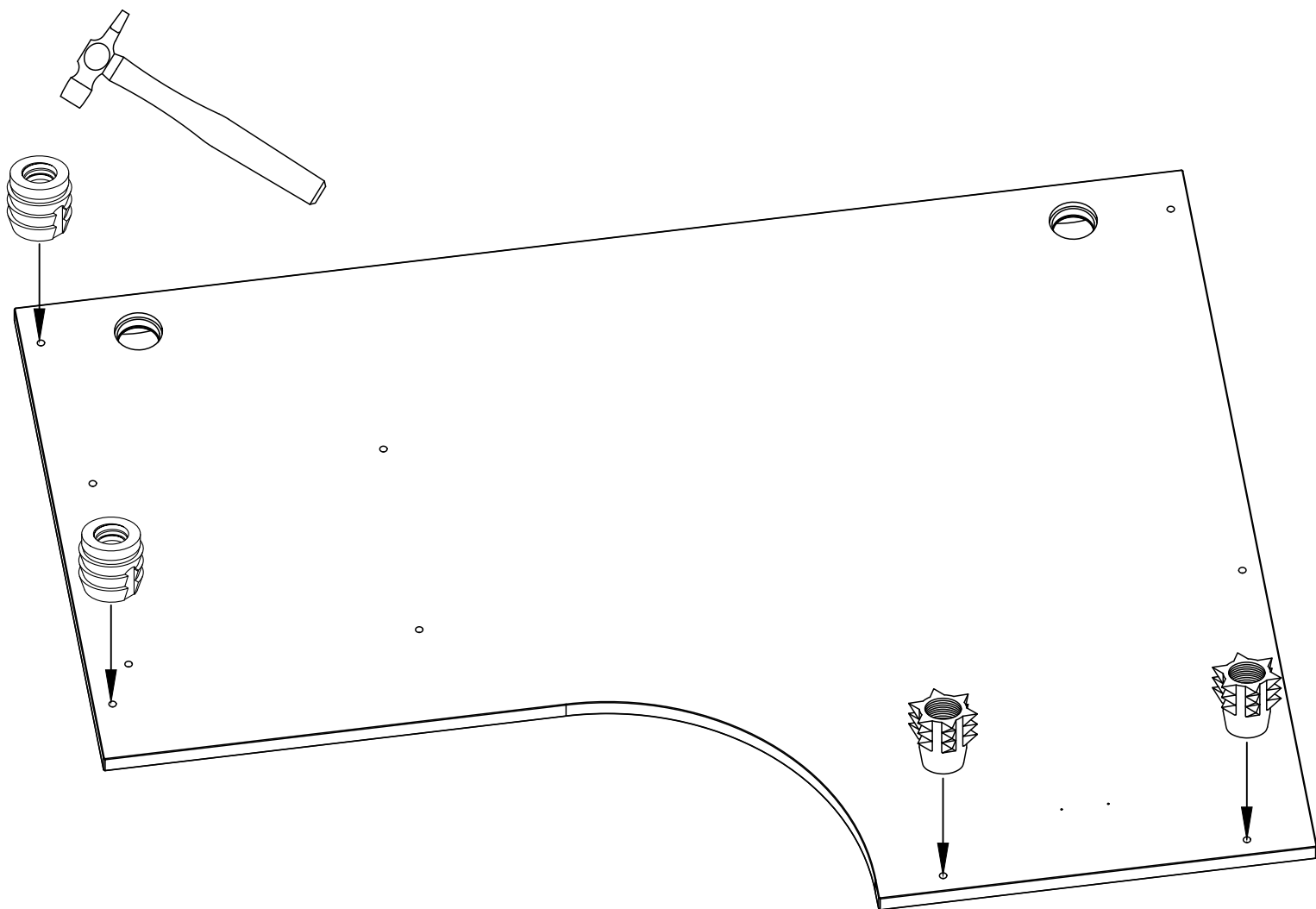
Nylon M6x10 Socket  
RM-PAR05

x2



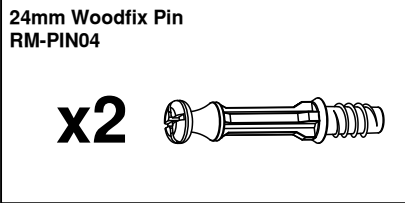
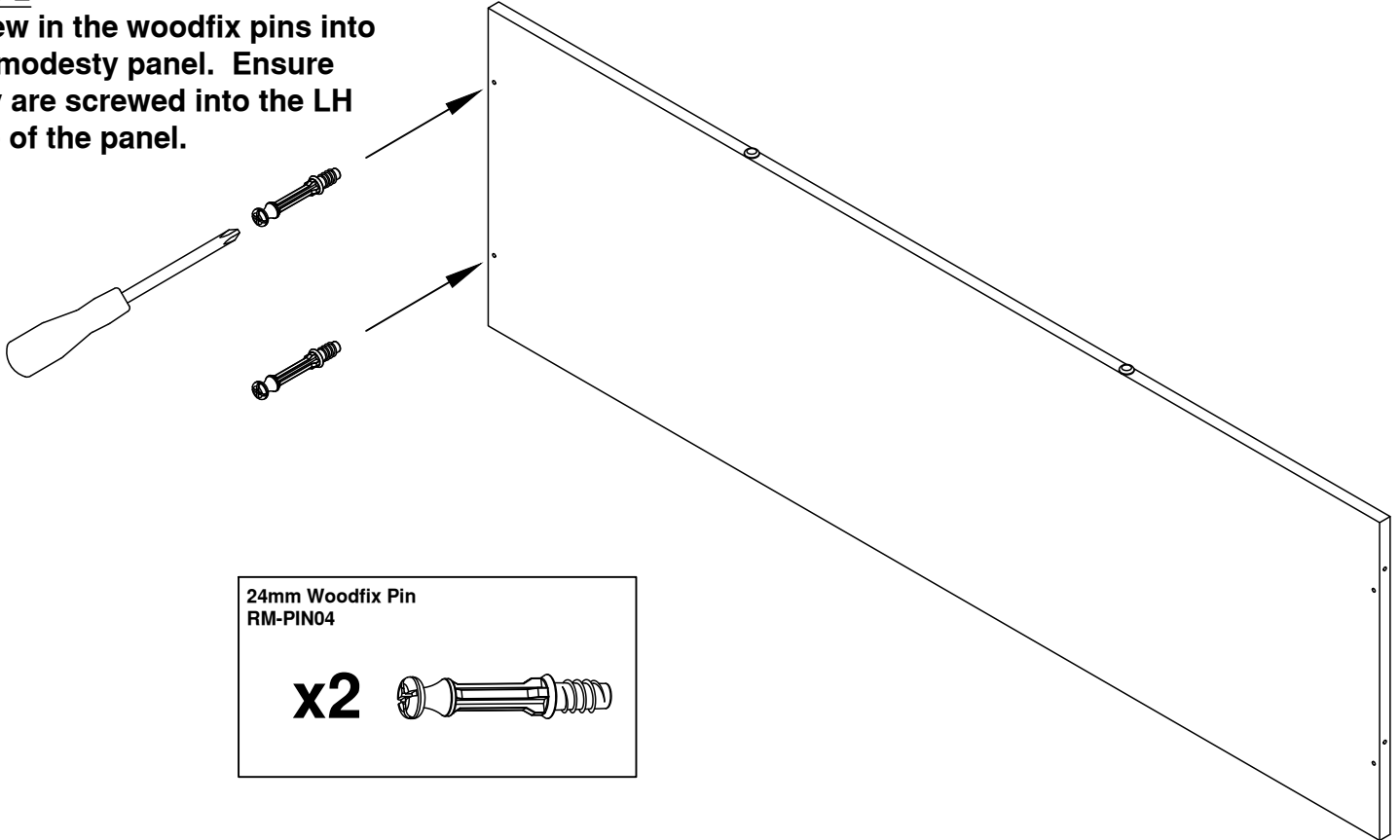
M6 Brass Insert  
RM-PAR03

x2



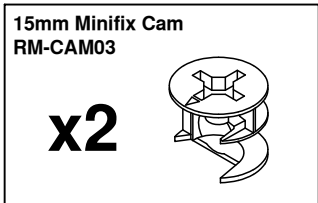
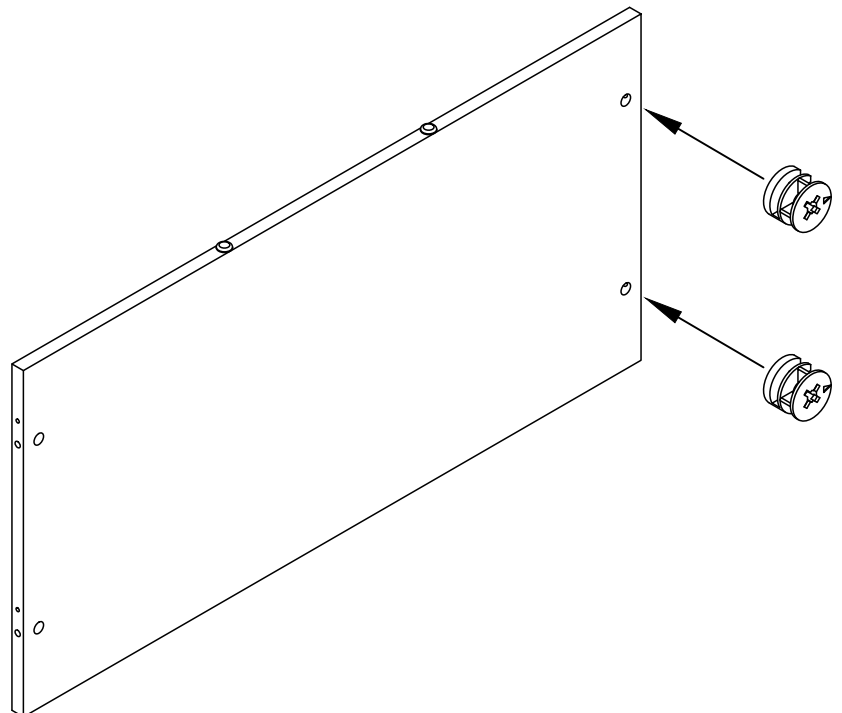
2

**Step 2**  
Screw in the woodfix pins into the modesty panel. Ensure they are screwed into the LH side of the panel.



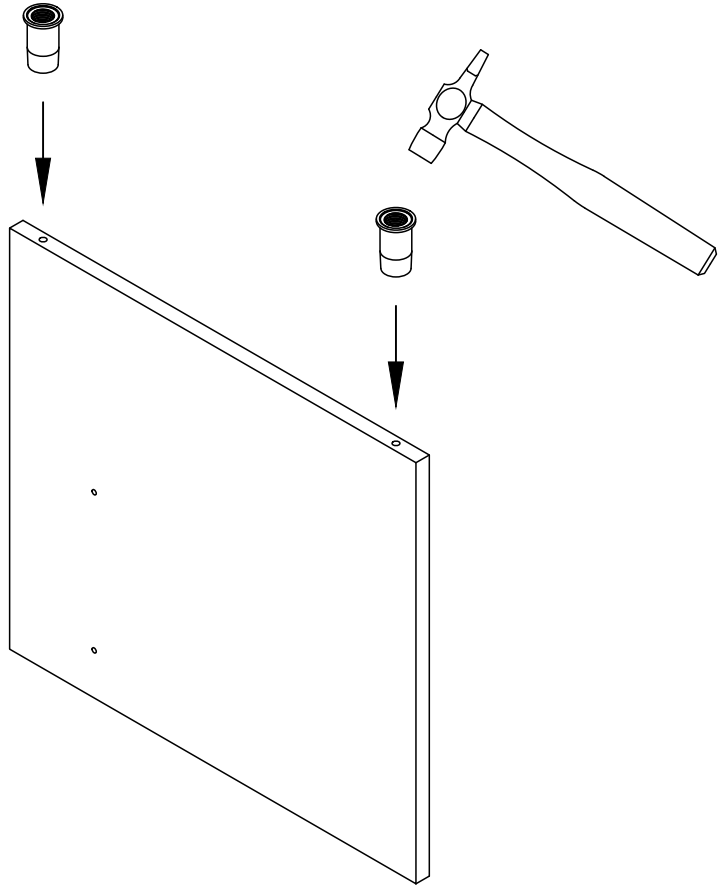
3

**Step 3**  
Insert the minifix cams into the side panel. Ensure they are inserted into the RH side of the panel and that the fitting is pushed all the way down and that the arrow guideline is aligned with the hole in the edge of the panel.



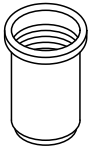
4

**Step 4**  
Knock in the gesipa inserts  
into the holes on the bottom  
edge of the panel end leg.  
Repeat for both legs.



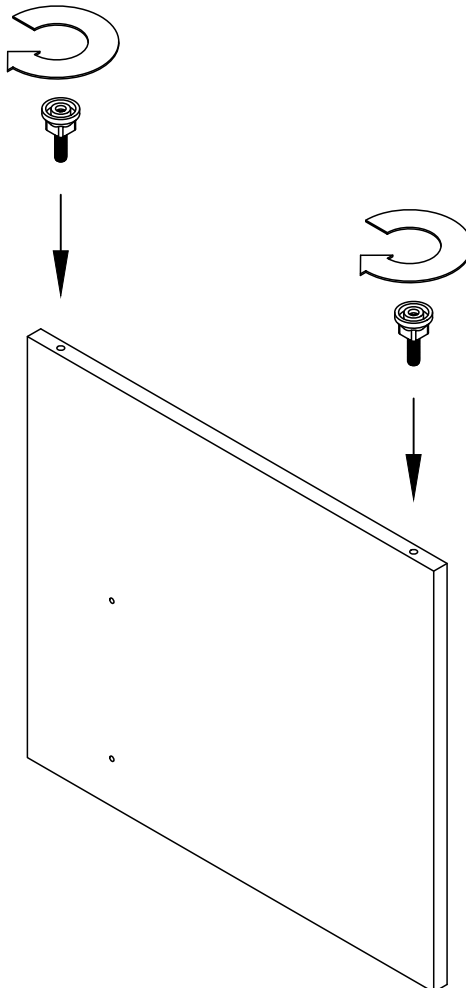
M8 Gesipa Insert  
RM-NUT04

**x4**



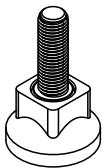
5

**Step 5**  
Screw the 25mm adjustable feet  
into the bottom of the panel end leg.  
Repeat for both legs.



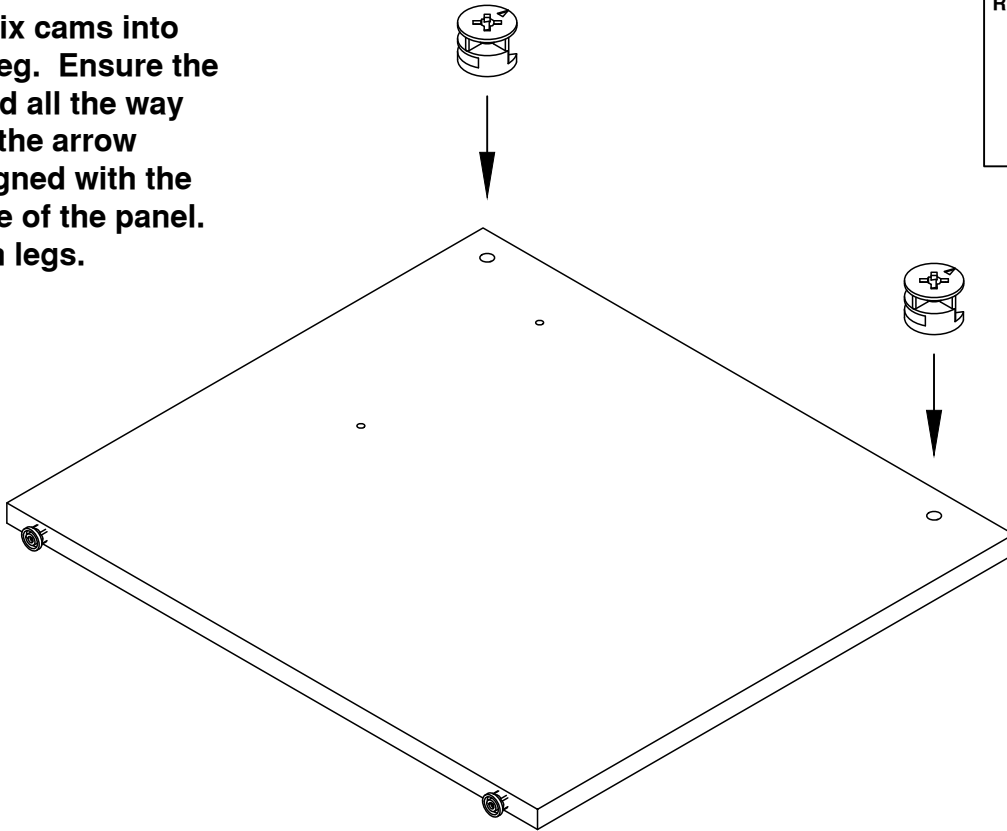
Adjustable Foot Dia 25mm  
RM-FRL19

**x4**



6

**Step 6**  
Insert the minifix cams into the panel end leg. Ensure the fitting is pushed all the way down and that the arrow guideline is aligned with the hole in the edge of the panel. Repeat for both legs.



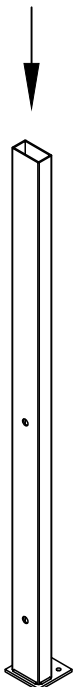
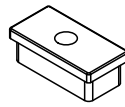
15mm Minifix Cam  
RM-CAM03

x4



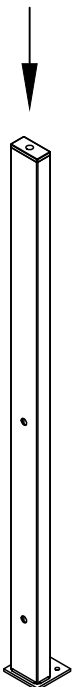
7

**Step 7**  
Insert the threaded ferrule into the end of the steel corner post leg. No tools should be used for this step, do not hit with a hammer as this will result in damage to the plastic fitting.



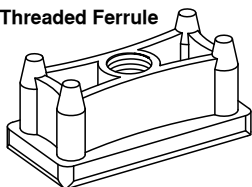
8

**Step 8**  
Screw the 25mm adjustable foot into the threaded ferrule.



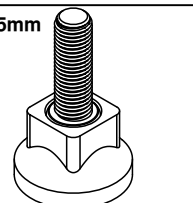
40x20mm M8 Threaded Ferrule  
RM-FRL10

x1



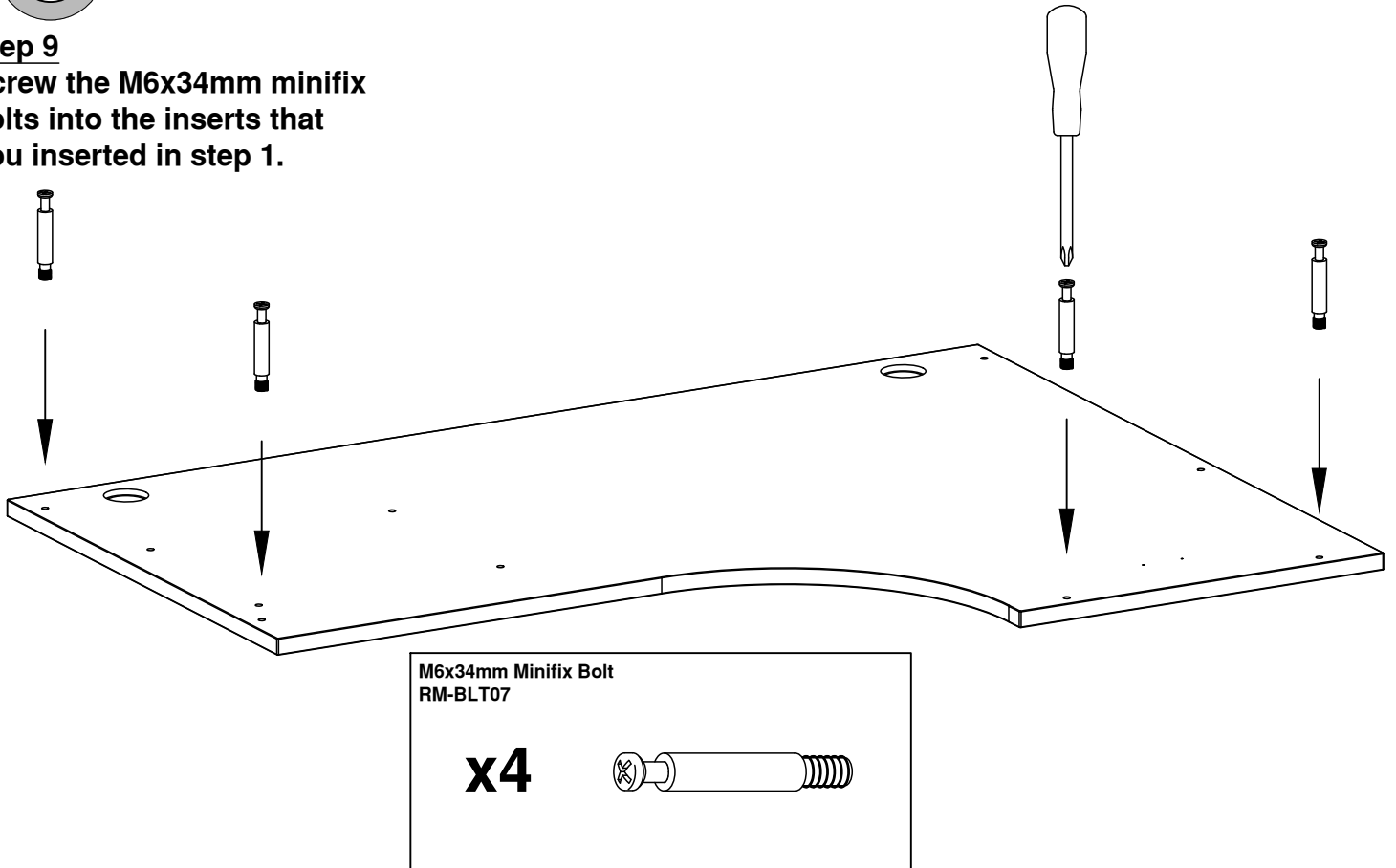
Adjustable Foot Dia 25mm  
RM-FRL19

x1



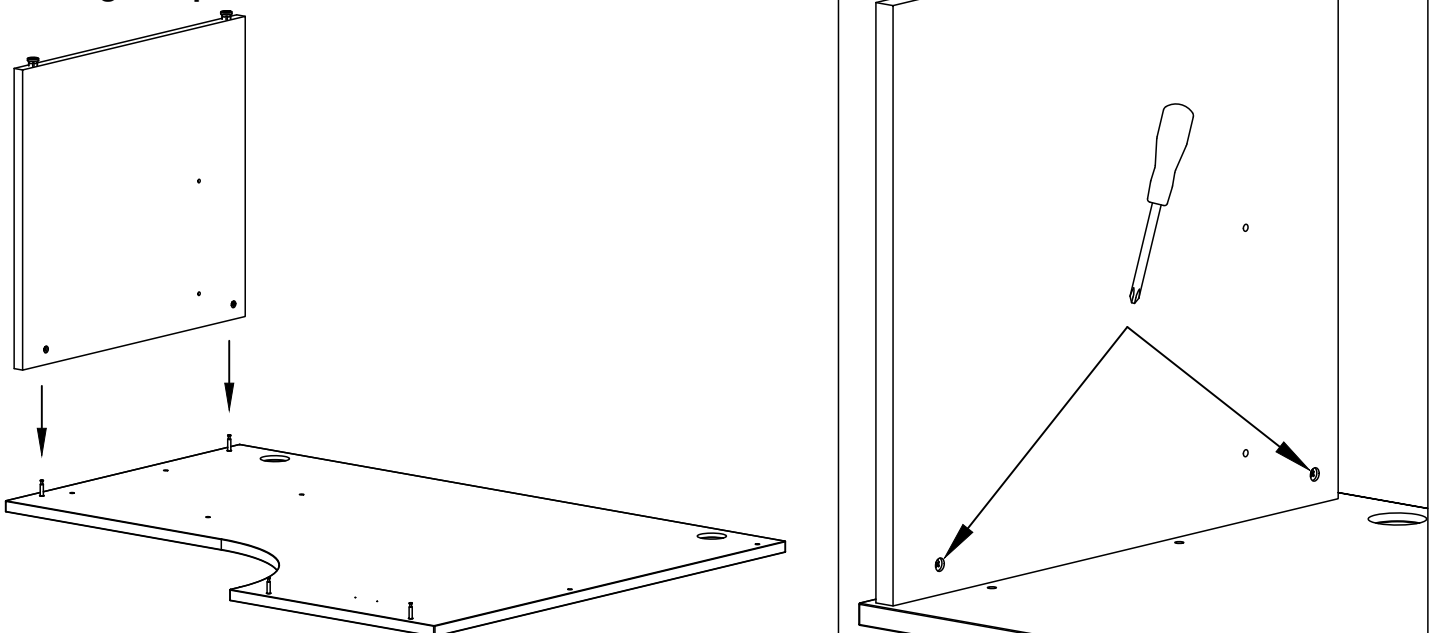
9

**Step 9**  
Screw the M6x34mm minifix bolts into the inserts that you inserted in step 1.



10

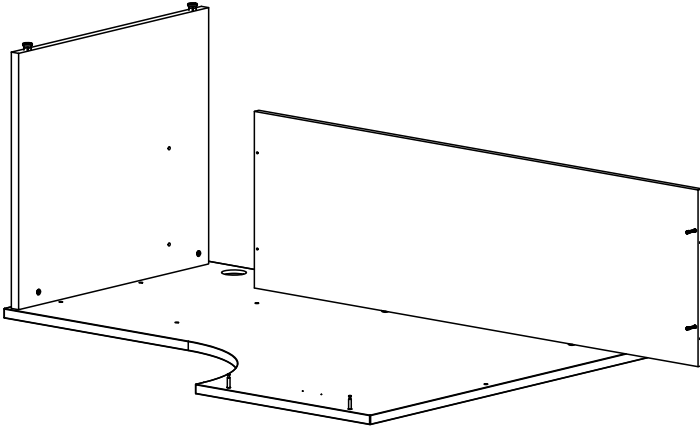
**Step 10**  
Place the RH Leg onto the desktop ensuring that the cam fittings engage over the minifix bolts. Once in place tighten the cams to lock the panel end leg into place.





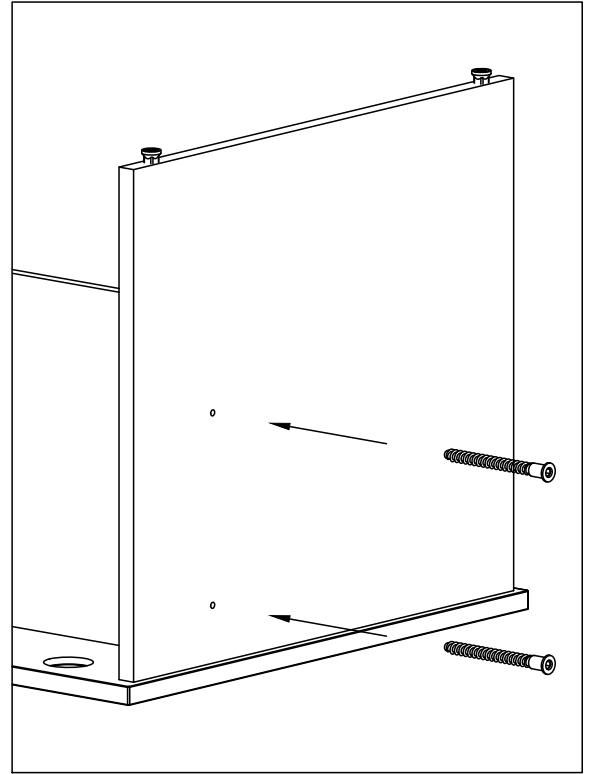
**Step 11**

Line the modesty panel up with the RH panel end leg ensuring the pre drilled holes are aligned. Attach the leg to the modesty panel using the 70mm confirmat screws.



Confirmat Screw 70mm (Silver)  
RM-CFM04

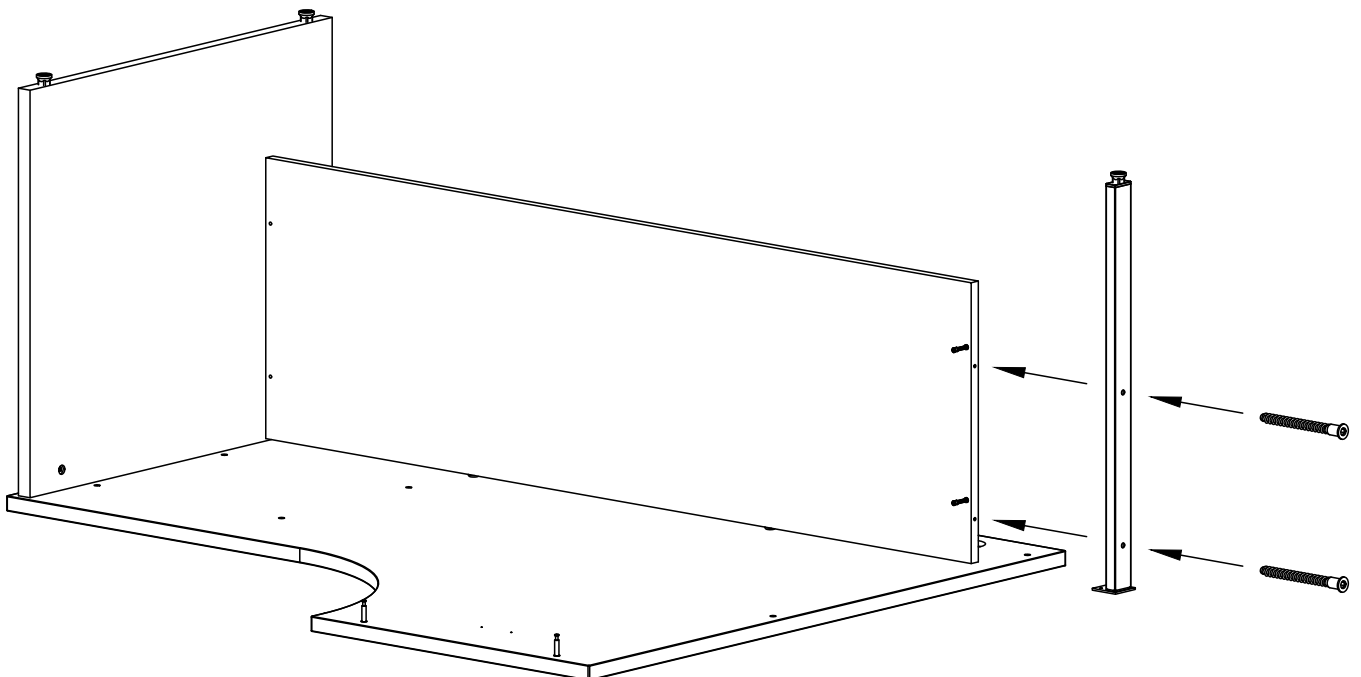
**x2**

**Step 12**

Line the corner post leg up with the modesty panel ensuring the pre drilled holes are aligned. Attach the leg to the modesty panel using the 70mm confirmat screws.

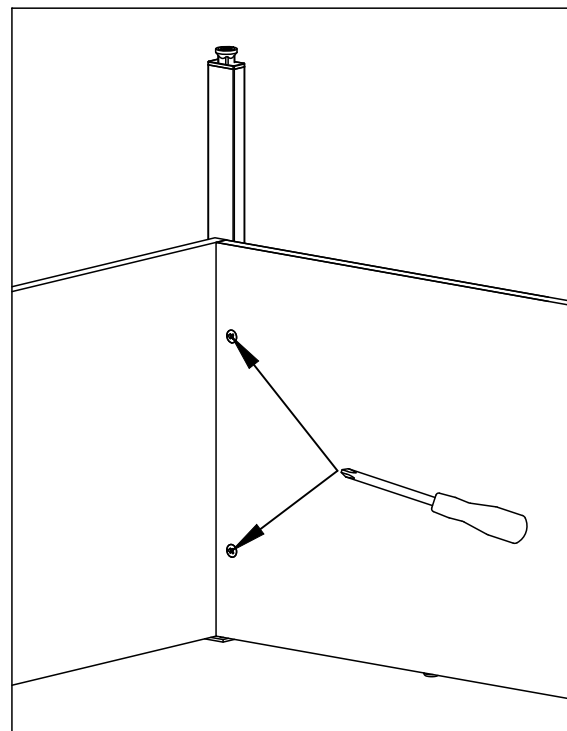
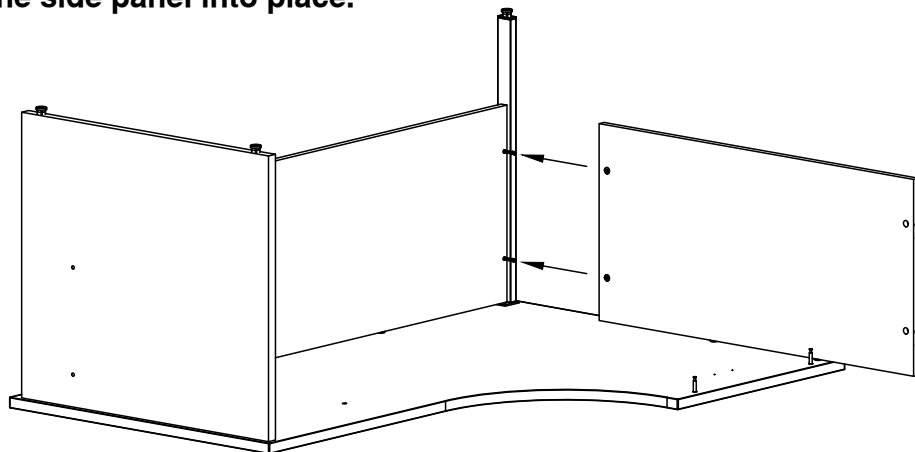
Confirmat Screw 70mm (Silver)  
RM-CFM04

**x2**



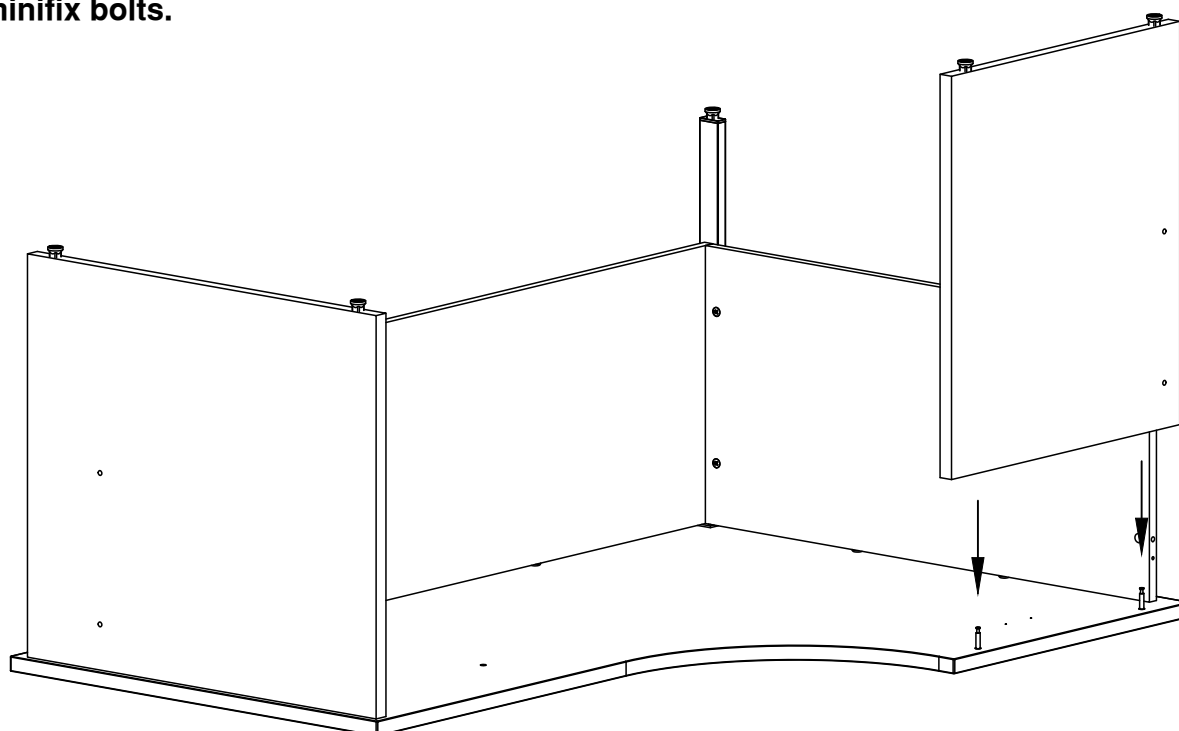
13

**Step 13**  
Position the side panel onto the modesty panel ensuring that the cam fittings engage over the woodfix pins. Once in place tighten the cams to lock the side panel into place.



14

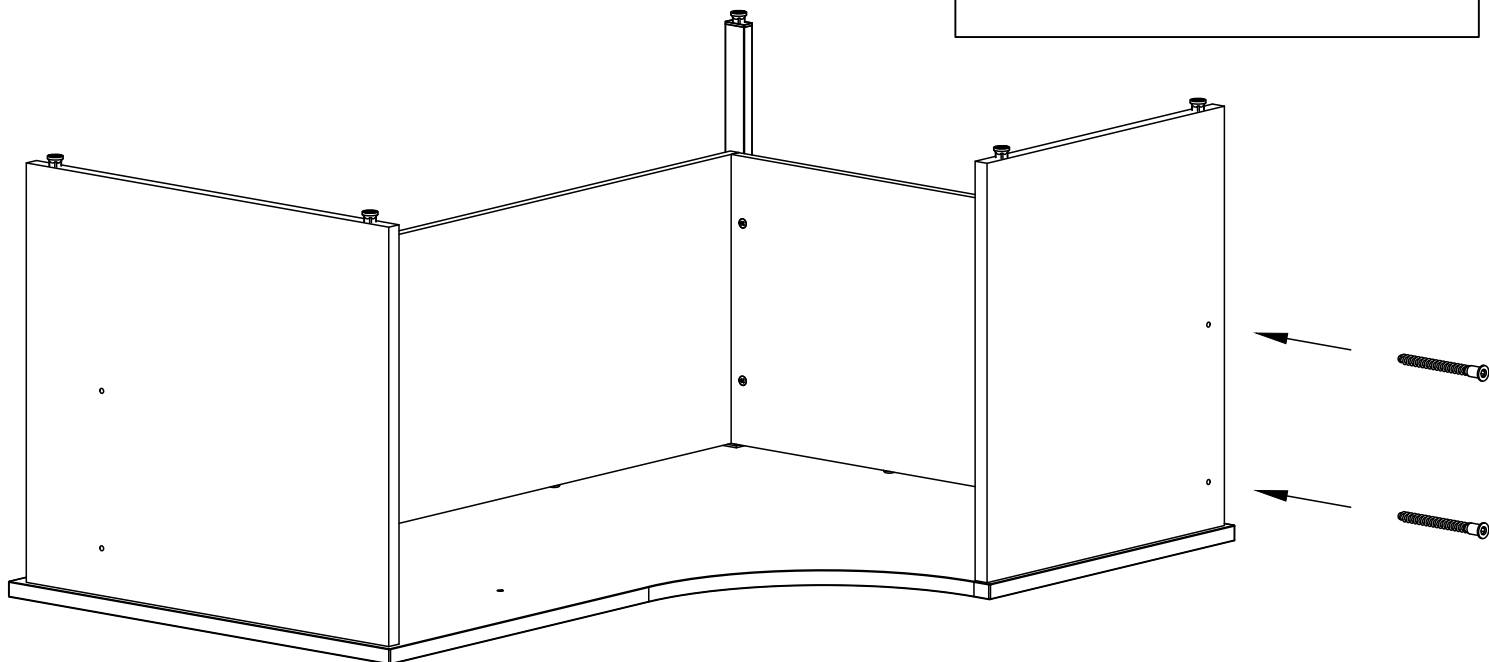
**Step 14**  
Place the LH panel end leg onto the desktop ensuring that the cam fittings engage over the minifix bolts.



15

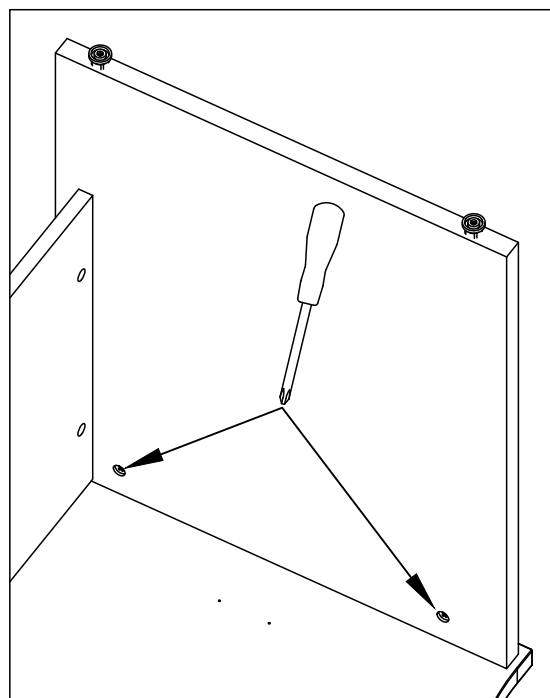
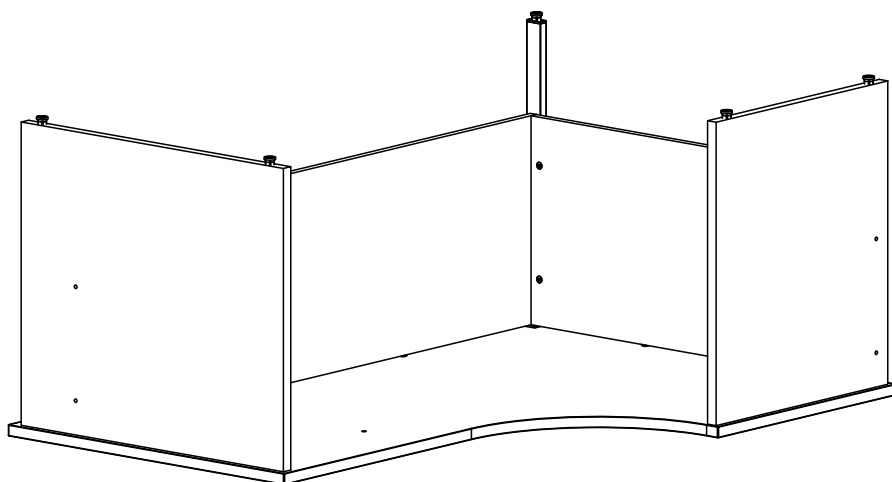
**Step 15**  
Attach the LH panel end leg  
to the modesty panel using  
the 70mm confirmat screws.

Confirmat Screw 70mm (Silver)  
RM-CFM04



16

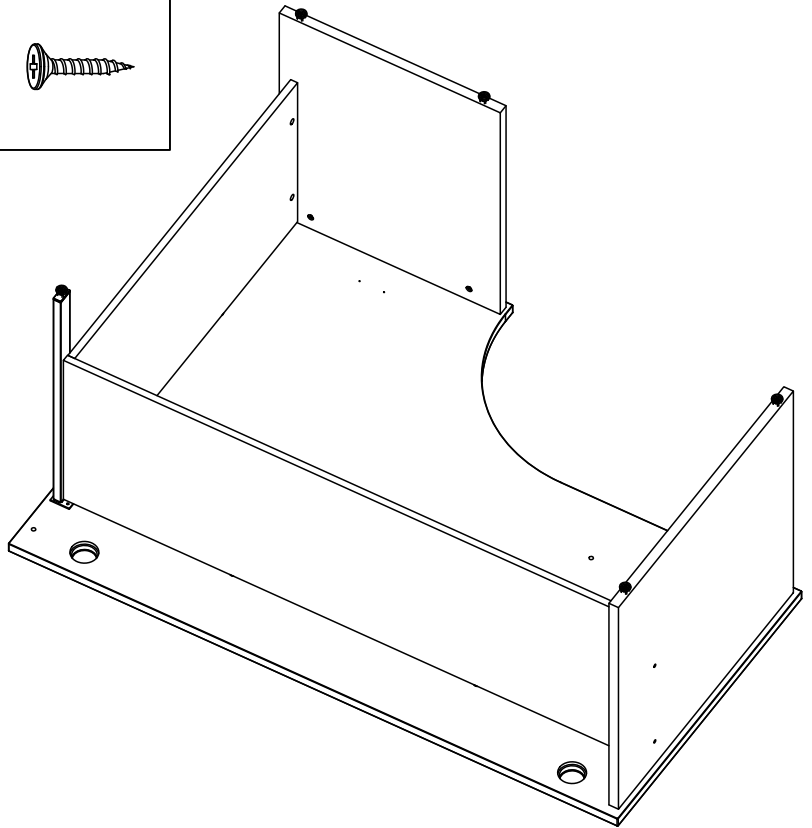
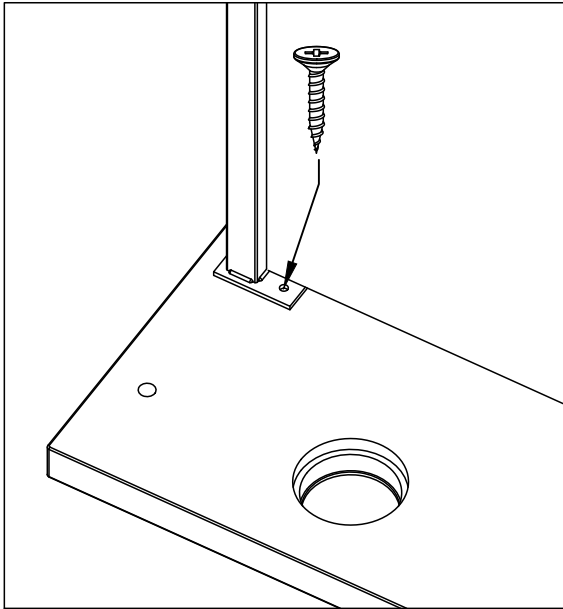
**Step 16**  
Tighten the cams to lock the  
panel end leg into place.



**Step 17**  
Fix the corner post leg to the desktop using the 20mm wood screw.

4x20mm Wood Screw  
RM-SCR37

x1



Matching adhesive caps are provided to cover any visible screw heads or cam fittings.

