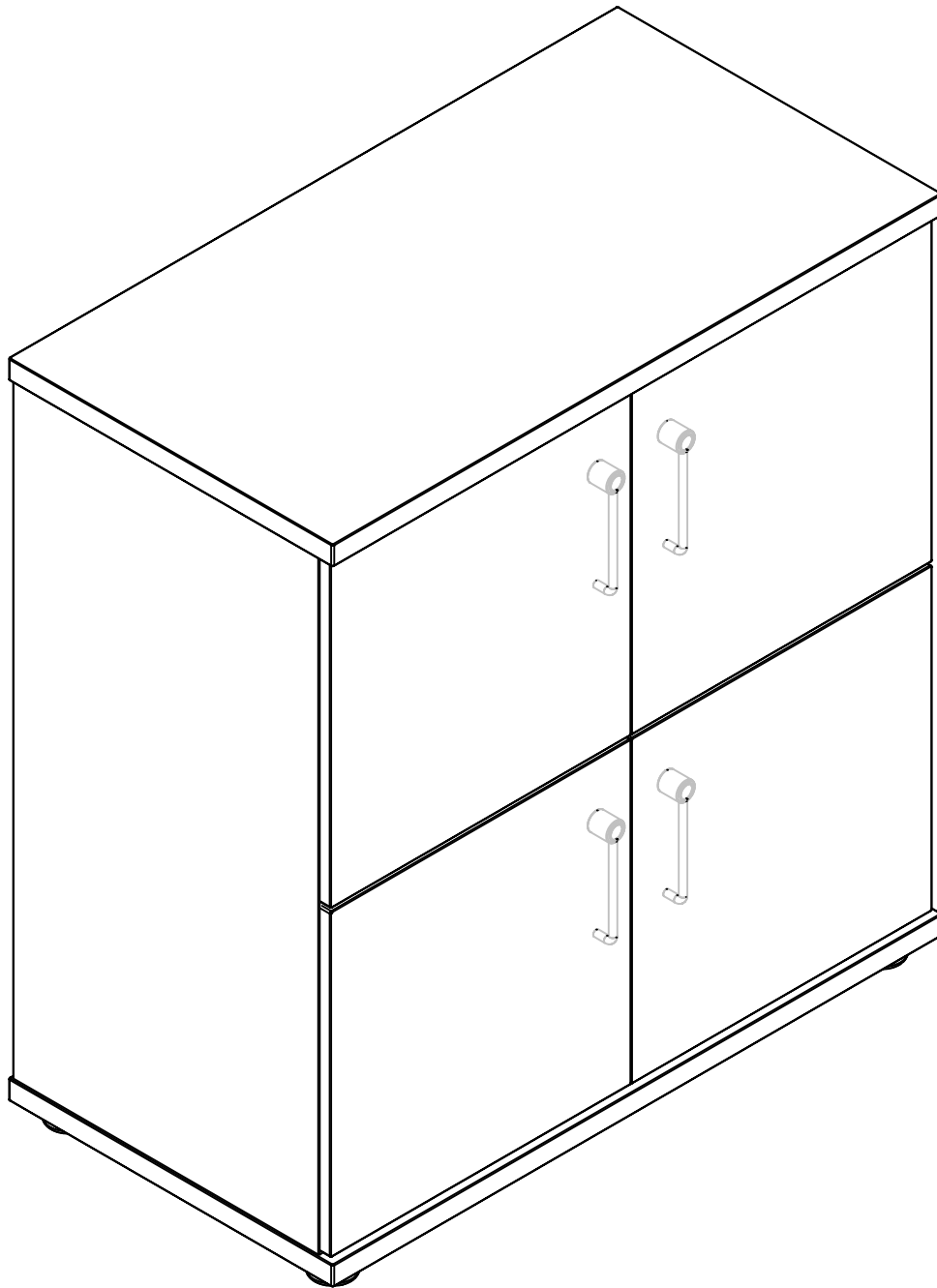
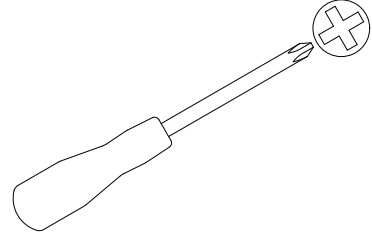
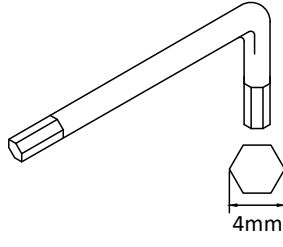
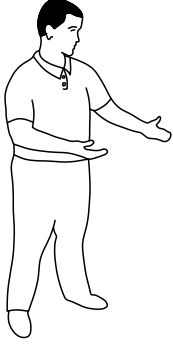


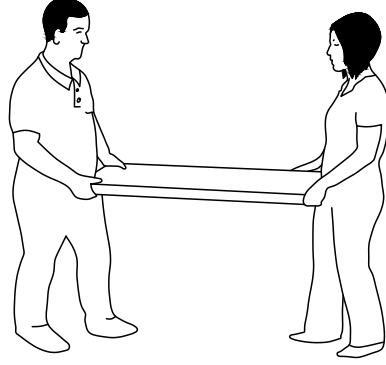
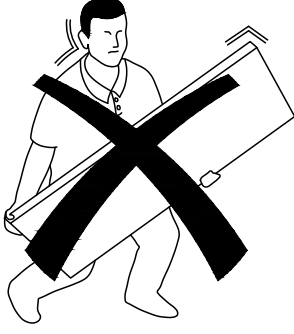
# LCK4D



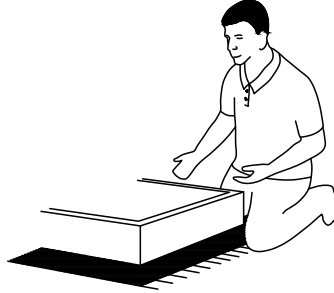
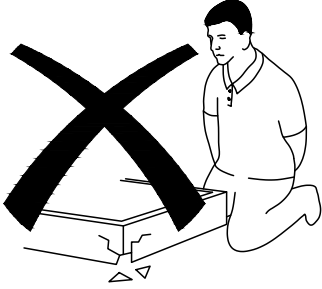
**TOOLS REQUIRED  
FOR ASSEMBLY**



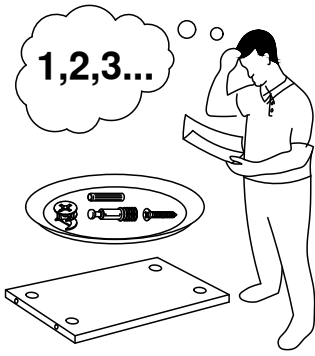
**DONT STRUGGLE  
2 MAN LIFT**



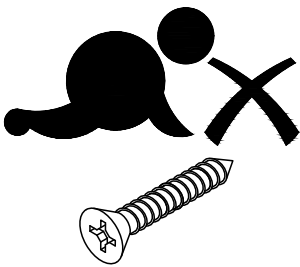
**ALWAYS HANDLE  
ITEMS WITH CARE**



**IF UNSURE CALL  
FOR ASSISTANCE**

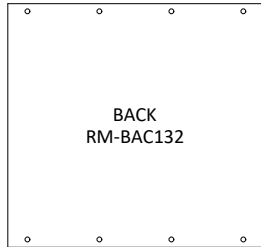
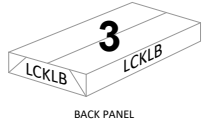
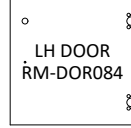
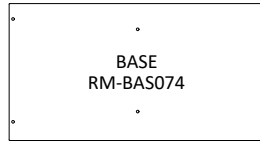
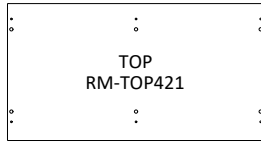
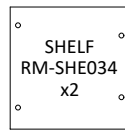
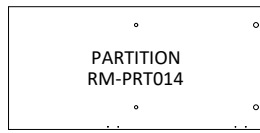
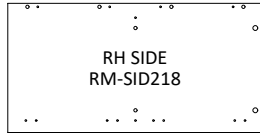
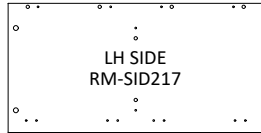
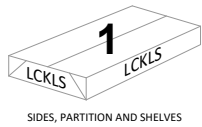


**KEEP FITTINGS AWAY  
FROM CHILDREN**



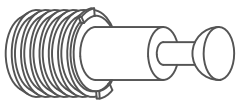


# Please check that you have all the panels!



# Please check that you have all the hardware!

QUANTITY - 22



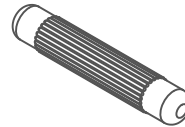
24mm QUICKFIX PIN  
RM-BLT006

QUANTITY - 22



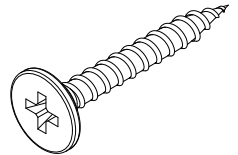
15mm QUICKFIX CAM  
RM-CAM03

QUANTITY - 18



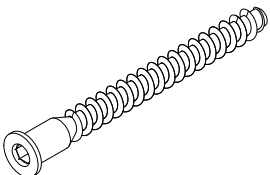
30 x 5mm WOOD DOWEL  
RM-WOW01

QUANTITY - 24



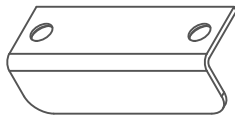
4 x 20mm WOOD SCREW  
RM-SCR37

QUANTITY - 6



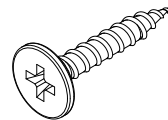
70mm CONFIRMAT SCREW  
RM-CFM02

QUANTITY - 4



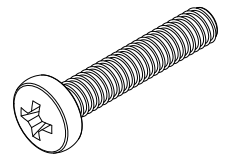
40mm STRIKE PLATE

QUANTITY - 8



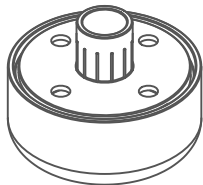
3.5 x 12mm WOOD SCREW

QUANTITY - 4



M4 x 22mm HANDLE SCREW  
RM-SCR25

QUANTITY - 4



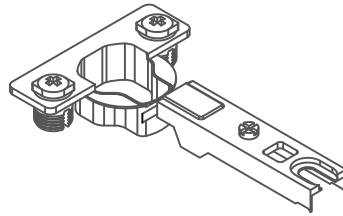
50mm ADJUSTABLE FOOT

QUANTITY - 4



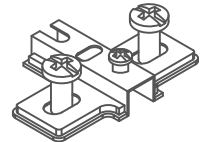
DOOR LOCK CYLINDER

QUANTITY - 8



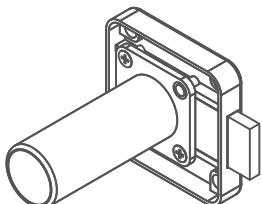
110' DOOR HINGE  
RM-HGE01

QUANTITY - 8



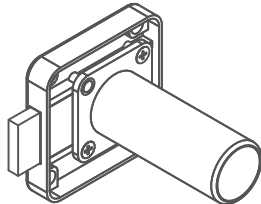
DOOR HINGE PLATE  
RM-HGP01

QUANTITY - 2



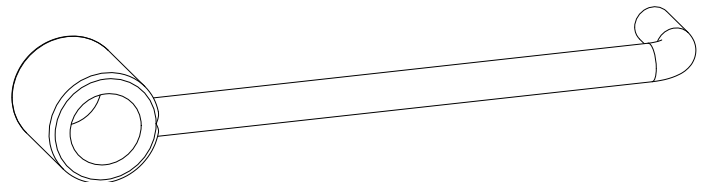
LH DOOR CYLINDER LOCK

QUANTITY - 2



RH DOOR CYLINDER LOCK

QUANTITY - 4



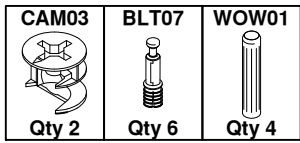
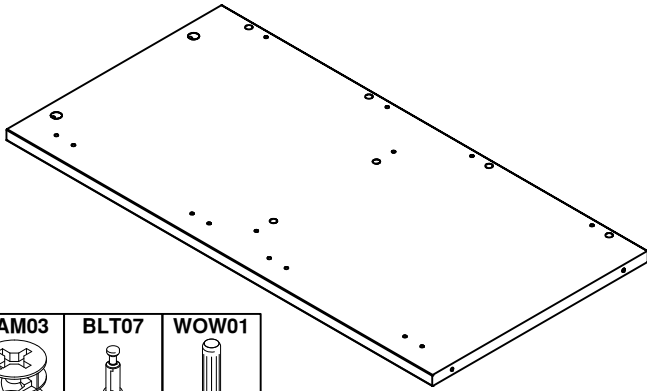
DOOR HANDLE WITH INTEGRATED LOCK BARREL

Prepare all the panels by inserting the listed fittings into the corresponding holes.

1

**Step 1**

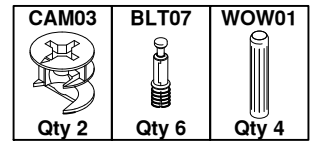
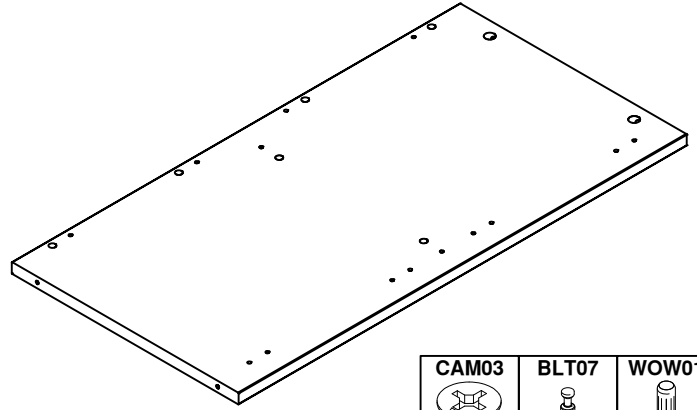
Insert cams, pins and dowels into the pre drilled holes on the LH side panel.



2

**Step 2**

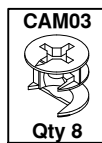
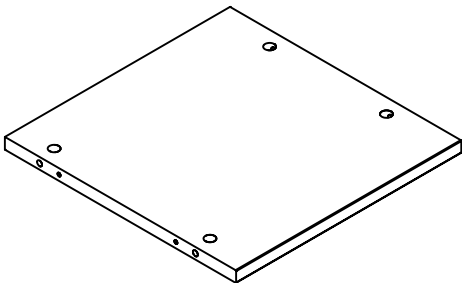
Insert cams, pins and dowels into the pre drilled holes on the RH side panel.



3

**Step 3**

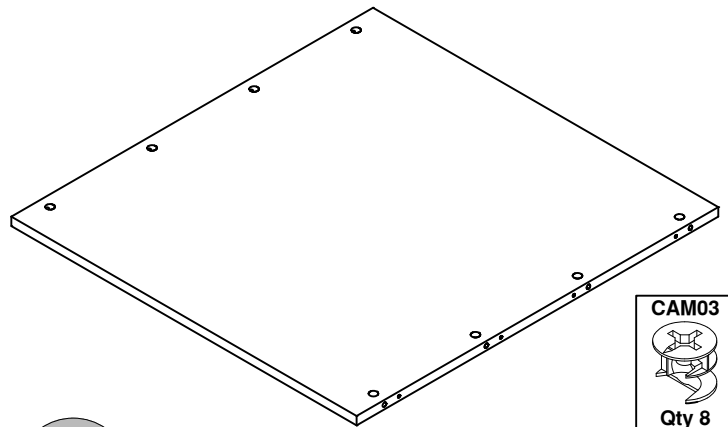
Insert cams into the pre drilled holes on the narrow shelf panels. Repeat for both shelves.



4

**Step 4**

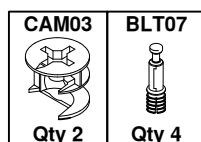
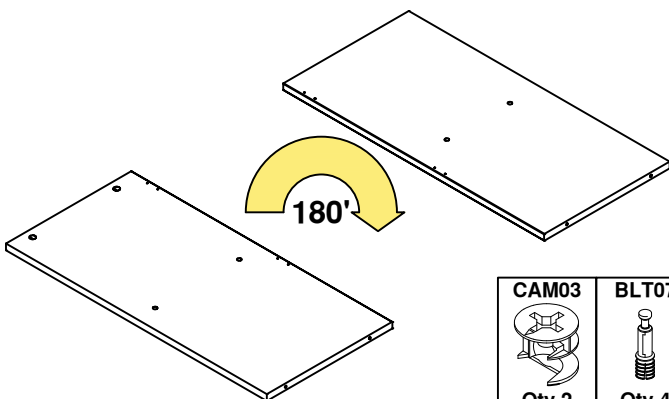
Insert cams into the pre drilled holes on the back panel.



5

**Step 5**

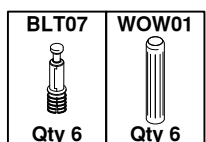
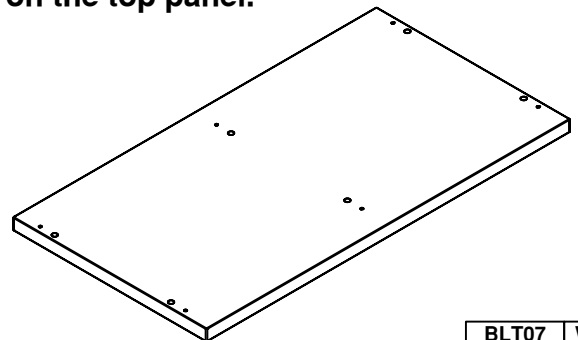
Insert the cam and pin fittings first before turning the panel over to insert the remaining pins.



6

**Step 6**

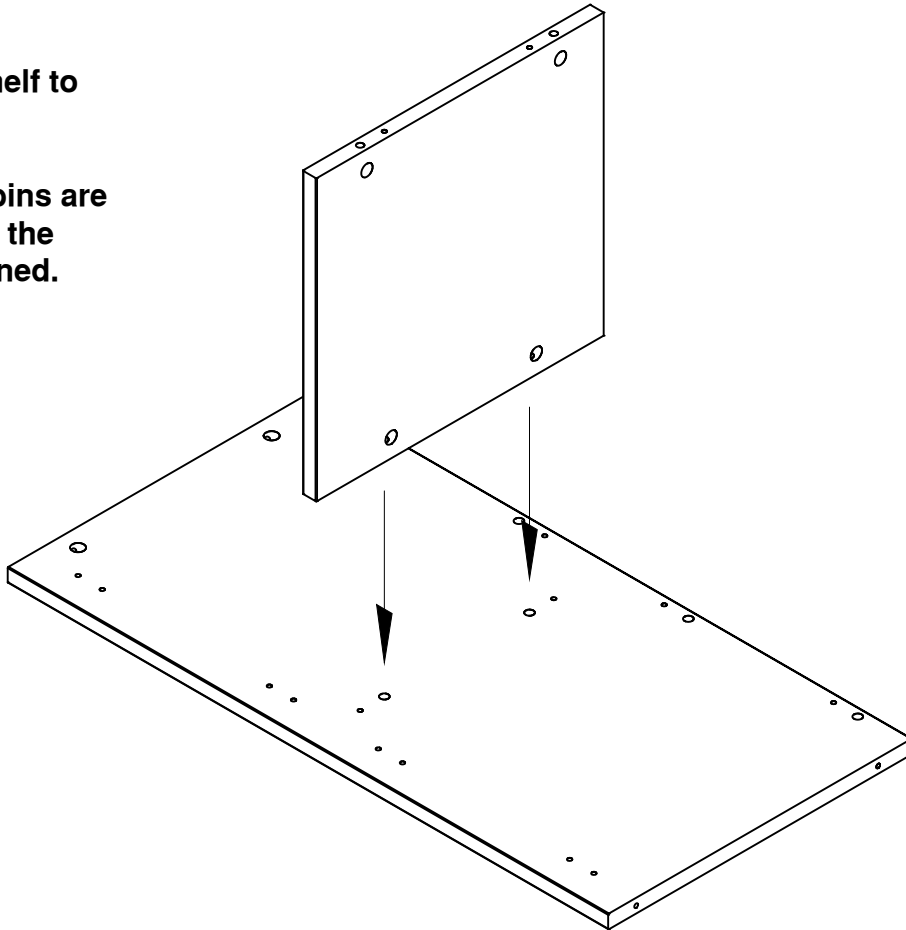
Insert cams, pins and dowels into the pre drilled holes on the top panel.



7

**Step 7**  
Attach the narrow shelf to the LH side panel.

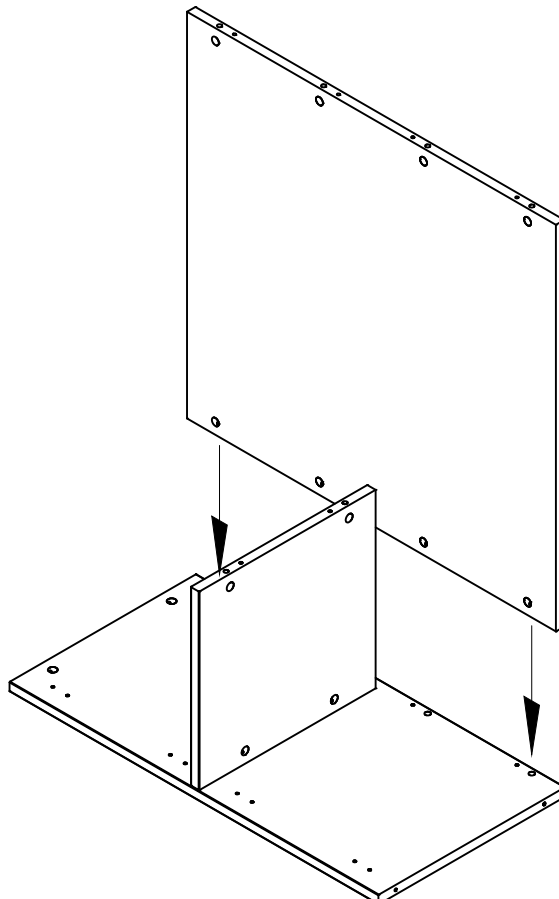
Once the cams and pins are engaged ensure that the cams are fully tightened.



8

**Step 8**  
Attach the back panel to the LH side panel.

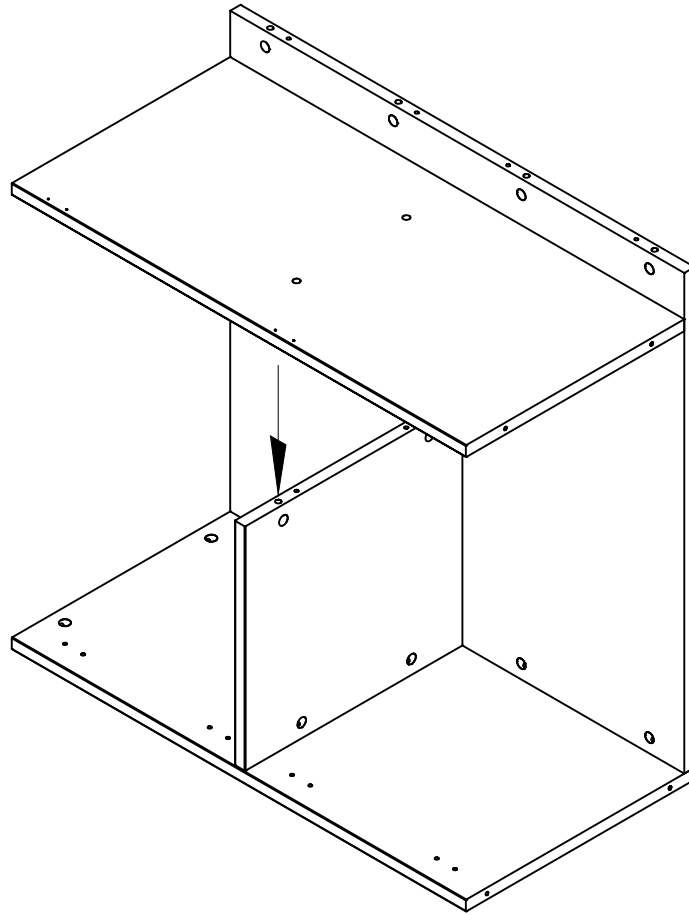
Once the cams and pins are engaged ensure that the cams are fully tightened.



9

**Step 9**  
**Attach the partition to the narrow shelf panel.**

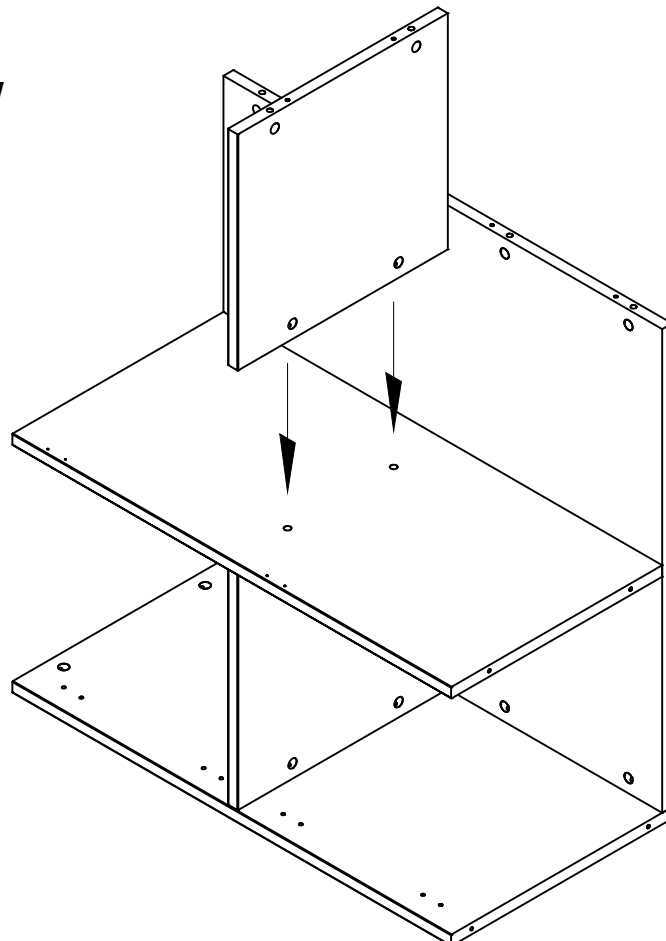
Once the cams and pins are engaged ensure that the cams are fully tightened.



10

**Step 10**  
**Attach the remaining narrow shelf to the partition panel.**

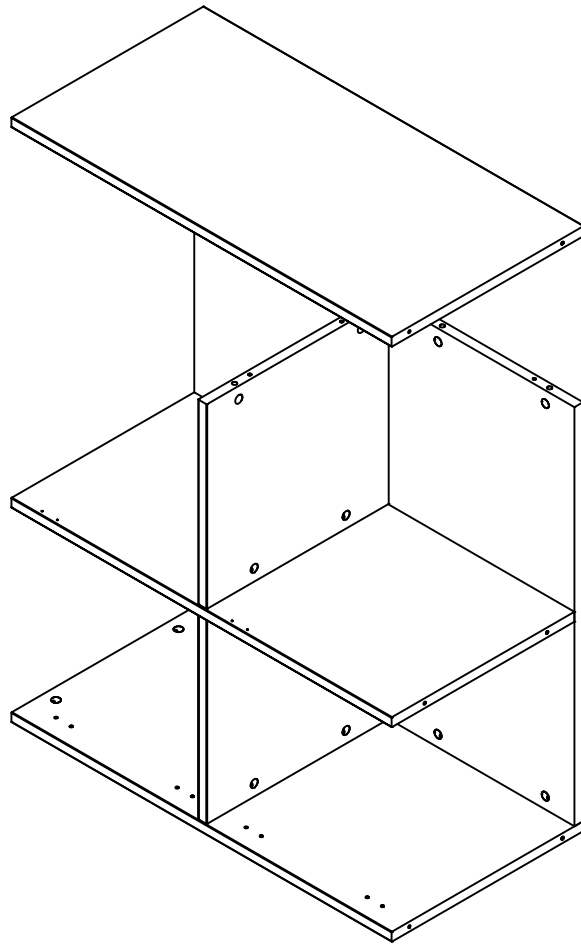
Once the cams and pins are engaged ensure that the cams are fully tightened.



11

**Step 11**  
**Attach the RH side panel to the back and narrow shelf panels.**

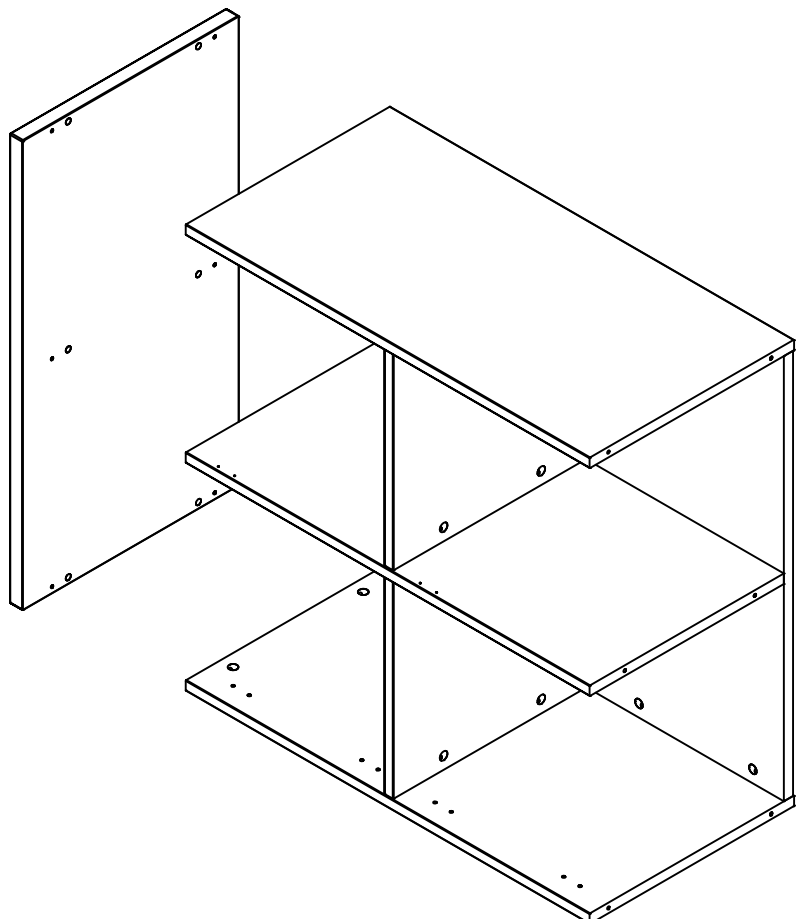
Once the cams and pins are engaged ensure that the cams are fully tightened.



12

**Step 12**  
**Attach the top to the unit.**

Once the cams and pins are engaged ensure that the cams are fully tightened.

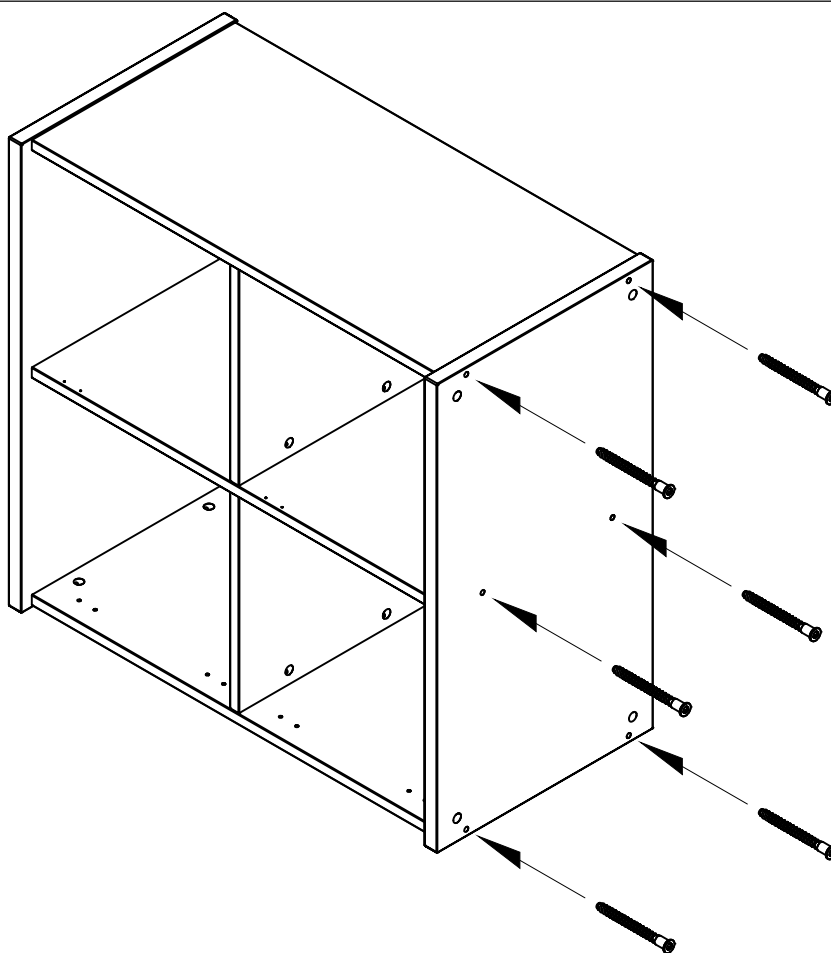


13

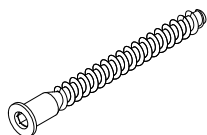
**Step 13**  
Attach the base to the unit.  
using the confirmat screws  
provided.

a 4mm Allen key is required  
to insert these screws.

Ensure they are fully  
screwed in before  
attempting to attach the  
adjustable feet.



QUANTITY - 6



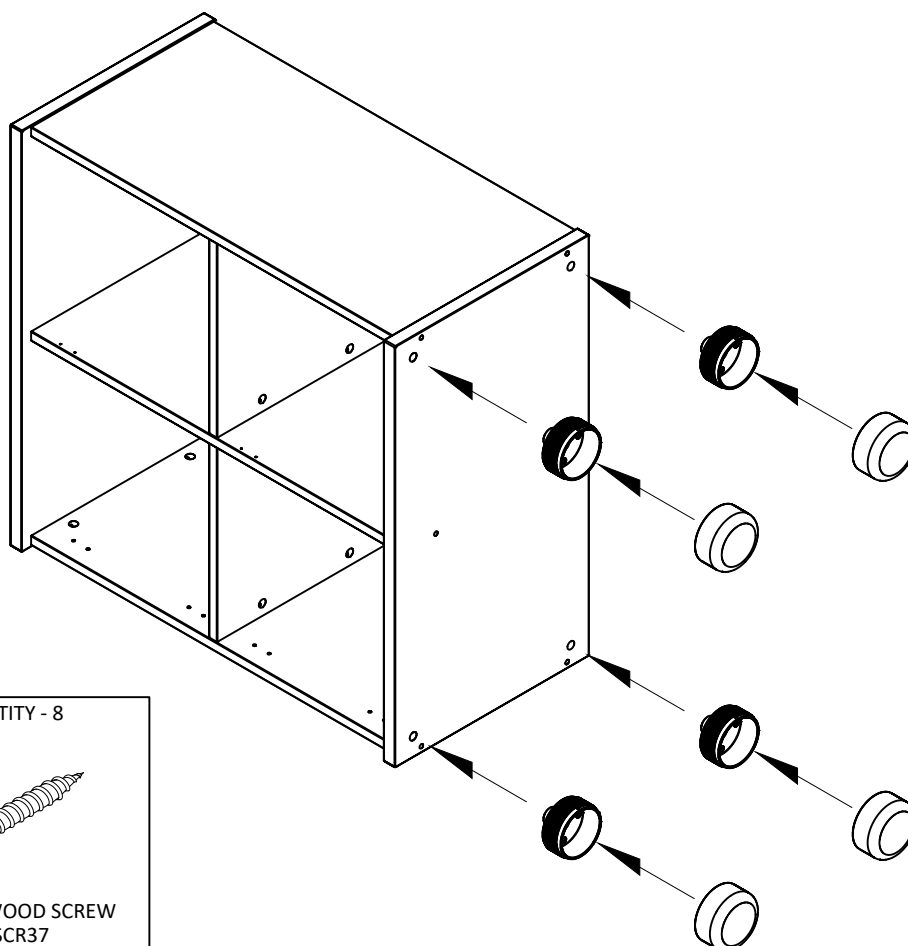
70mm CONFIRMAT SCREW  
RM-CFM02

14

**Step 14**  
Attach the 4 adjustable feet  
inner housings to the base  
of the unit.

Each foot should be  
attached using 2 of the  
4x20mm wood screws  
provided.

Once attached screw on the  
adjustable foot outer  
housing.

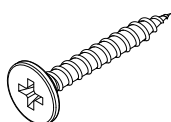


QUANTITY - 4



50mm ADJUSTABLE FOOT

QUANTITY - 8

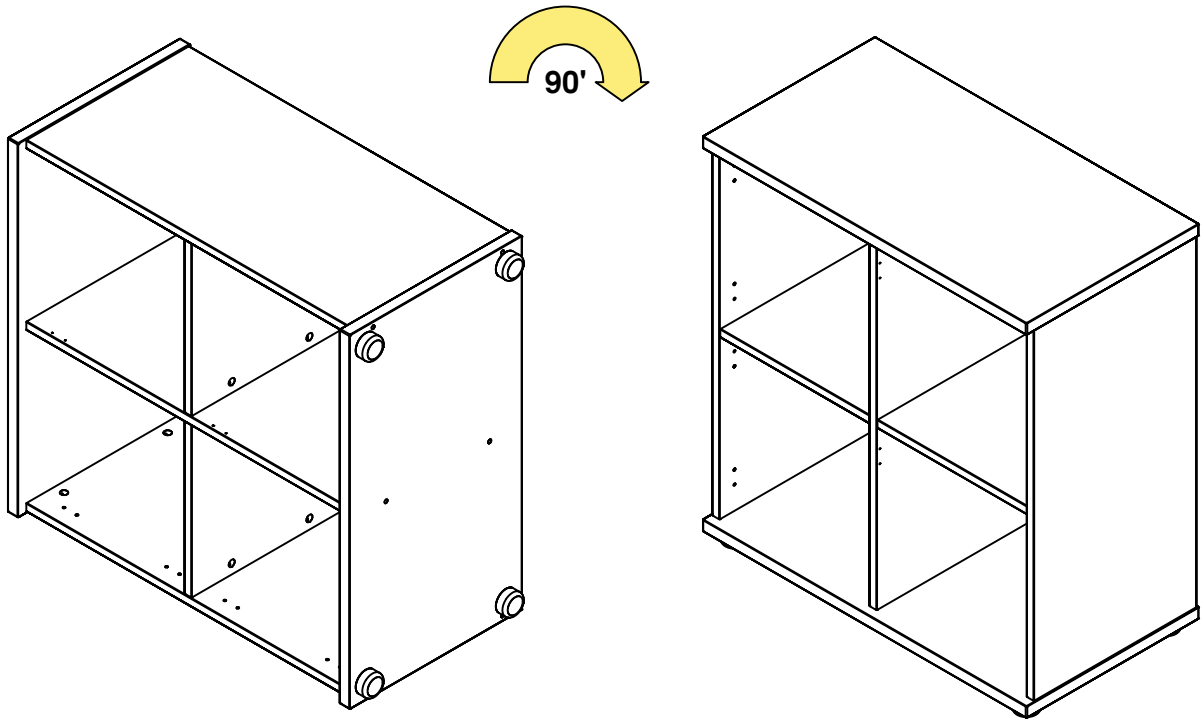


4 x 20mm WOOD SCREW  
RM-SCR37



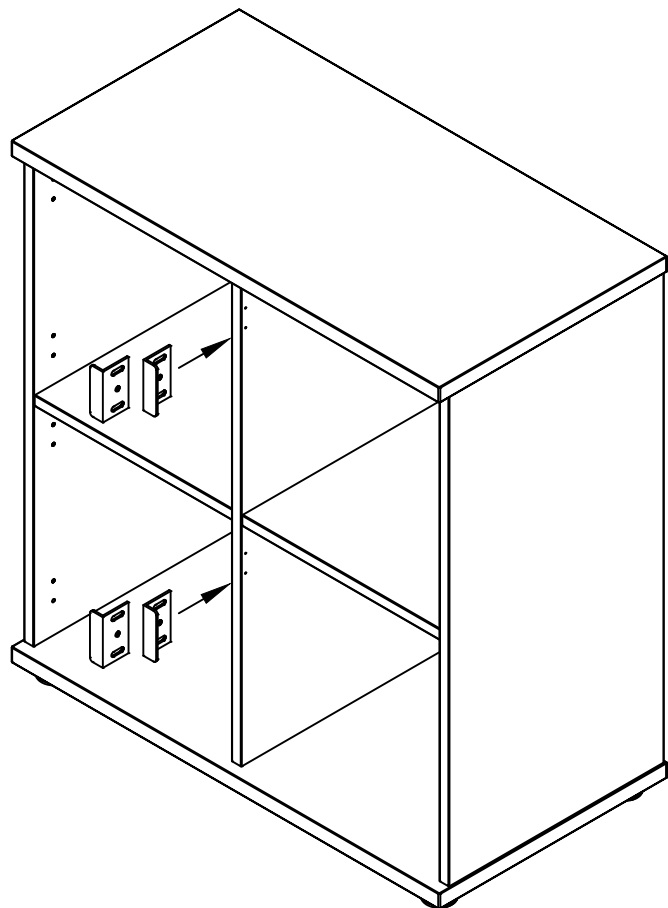
15

**Step 15**  
Stand the unit upright and position in your desired location.

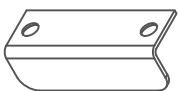


16

**Step 16**  
Mount the lock strike plates to the partition panel using the 3.5 x 12mm screws.

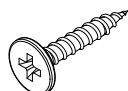


QUANTITY - 4



40mm STRIKE PLATE

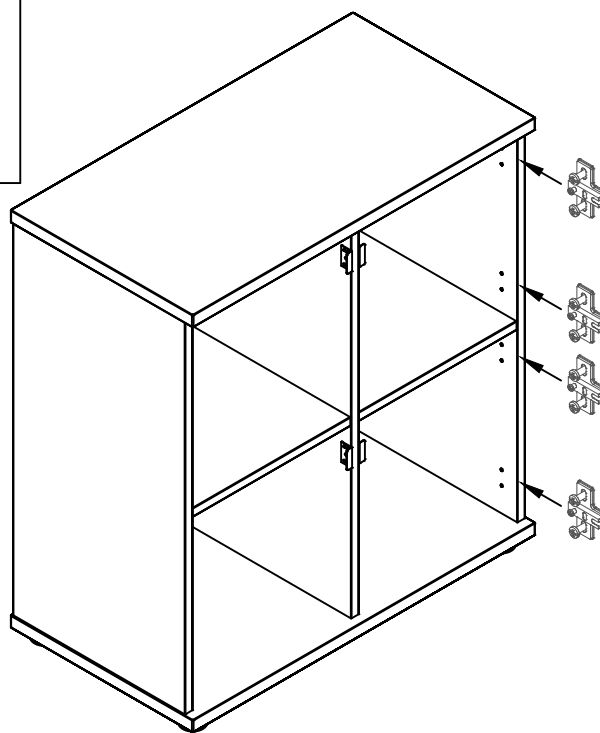
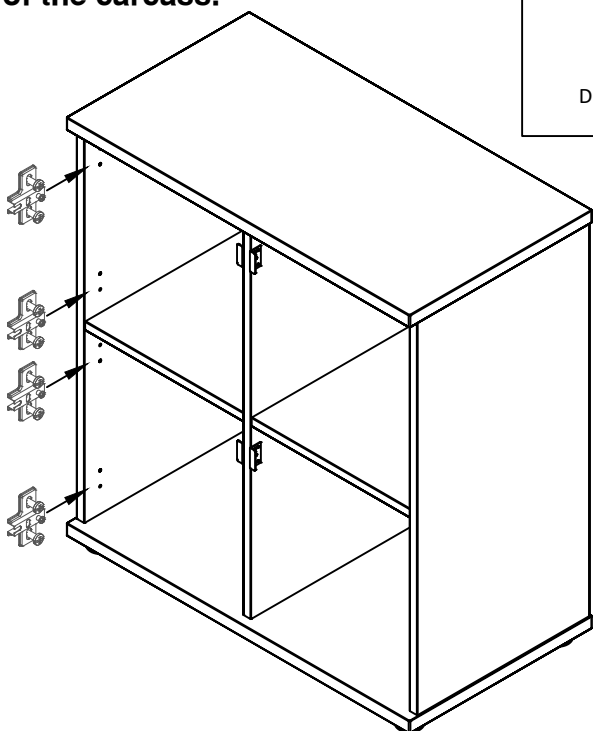
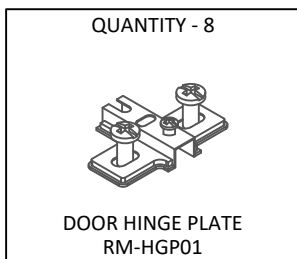
QUANTITY - 8



3.5 x 12mm WOOD SCREW

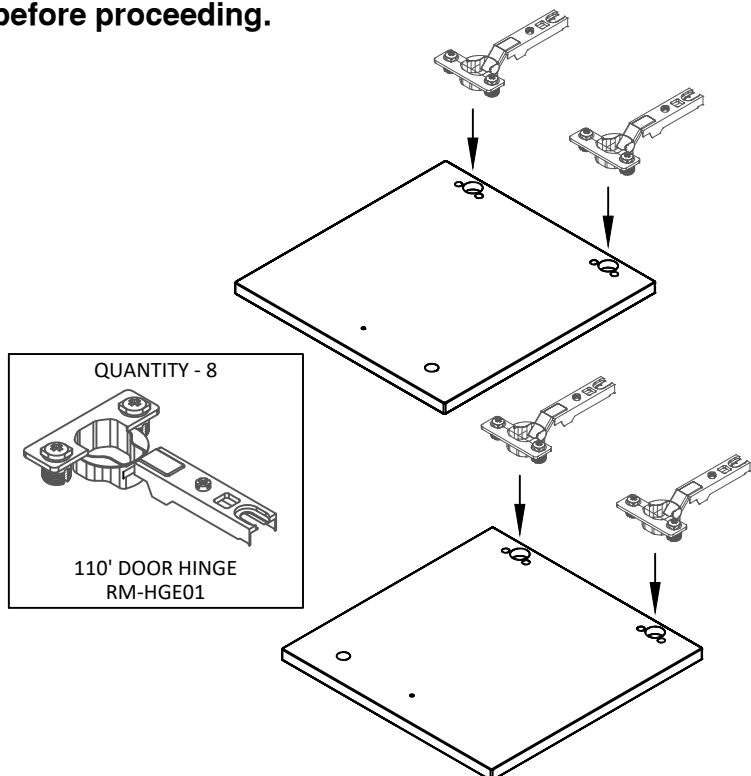
17

**Step 17**  
Fix all hinge plates to both side of the carcass.



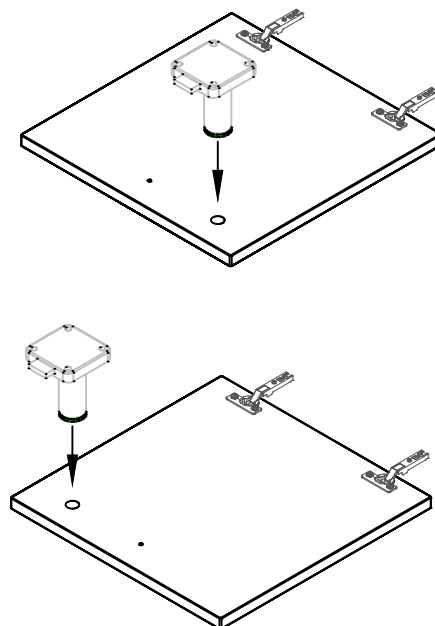
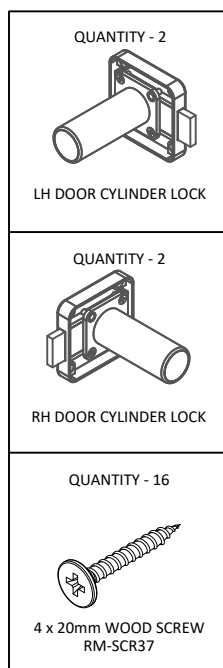
18

**Step 18**  
Attach the door hinges to all doors, ensure the all screws are tightened before proceeding.



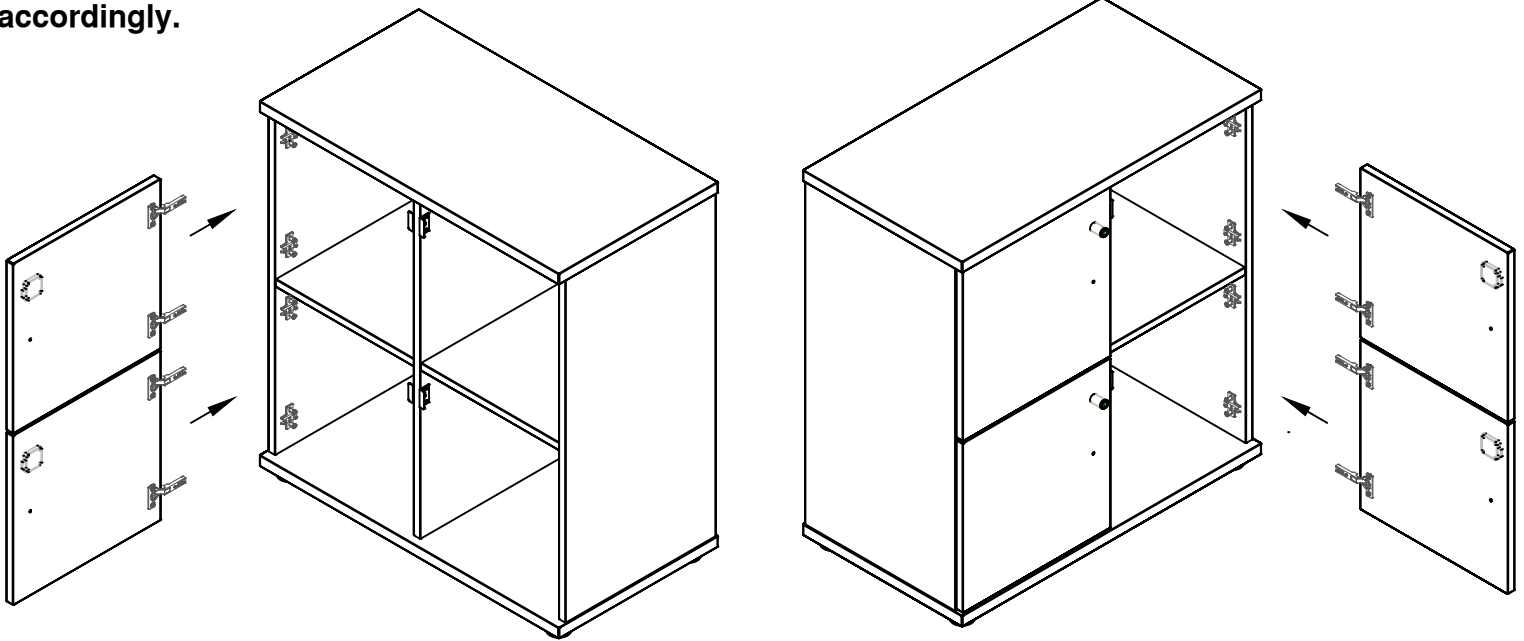
19

**Step 19**  
Fix the lock barrels to each door. There are different locks for LH and RH doors. LH door locks have a red cap. RH door locks have a green cap.



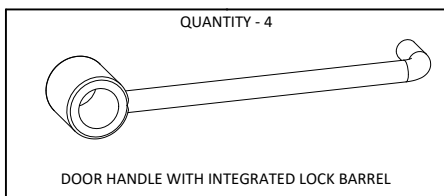
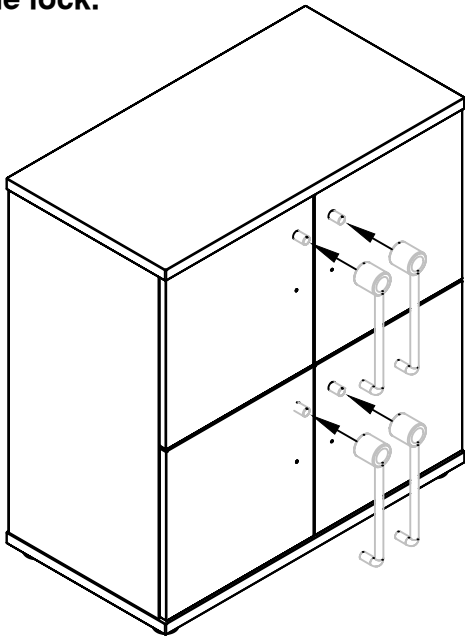
20

**Step 20**  
Attach all doors to the carcass and adjust accordingly.



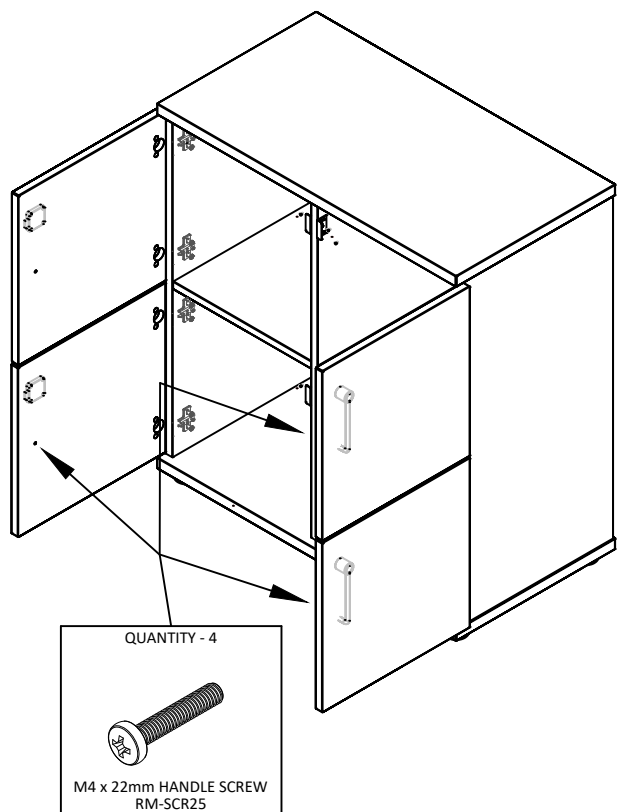
21

**Step 21**  
Position all handles onto the doors, the barrel of the handle should slide over the barrel of the lock.

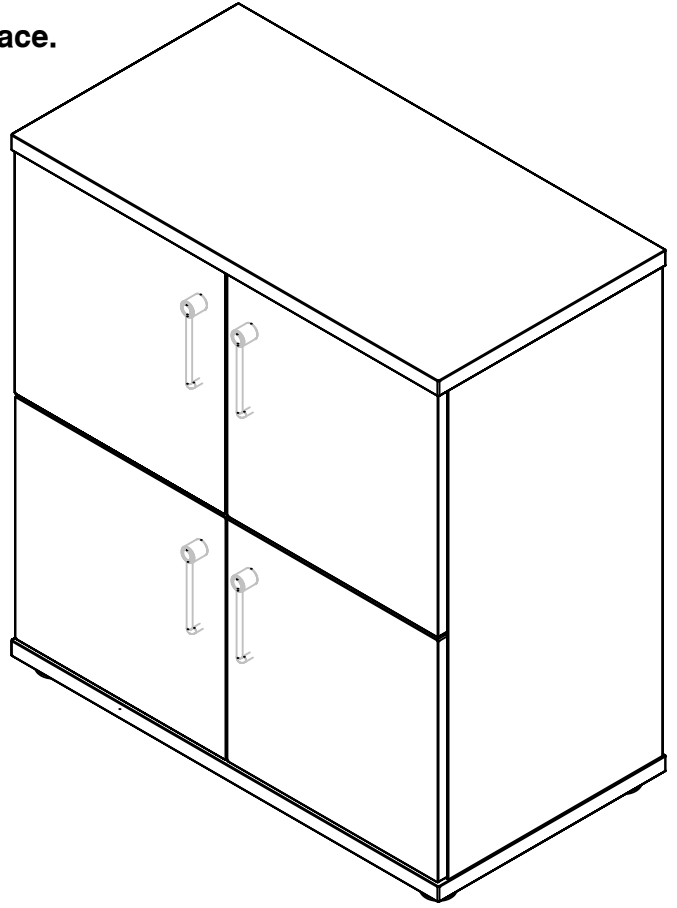
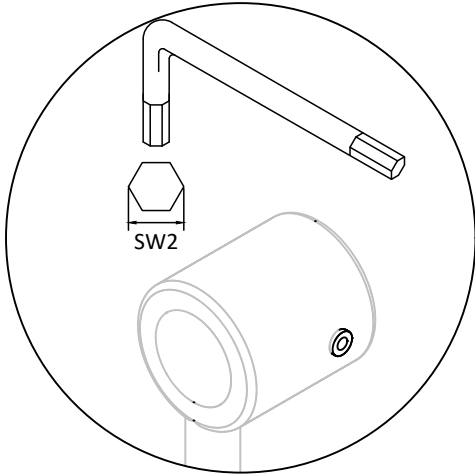


22

**Step 22**  
Fix the handles in place on all doors using the M4x22mm bolts.



**Step 23**  
Tighten the grub screws on each handle to lock it in place.  
Use the SW2 allen key that is provided.



**Step 24**  
Remove the caps from the lock barrels and insert the lock mechanism into each lock barrel.

The barrel should be in the unlocked position whilst inserting the lock mechanism.

When inserting the barrel the key needs to remain inserted.

The mechanism will only fit in 1 way, ensure the key is vertical and the keycode is visible on the LH side of the barrel.

