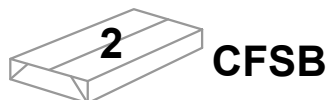
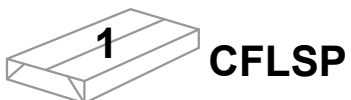
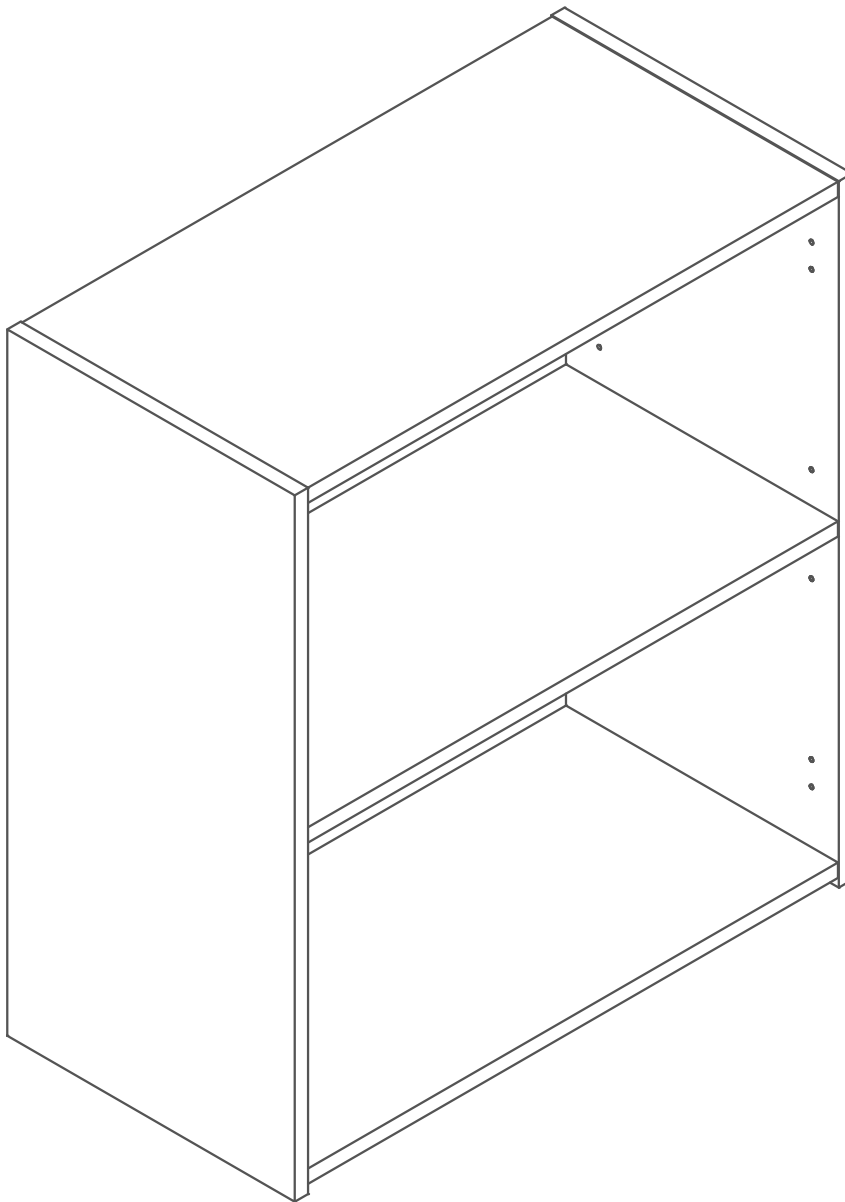
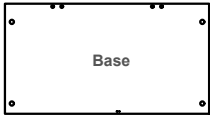
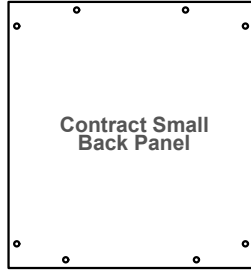
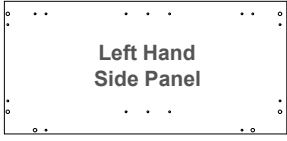


CFLBC

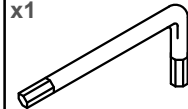




Please check that you have all the packages and fittings



Please Note all fittings are packed in the CFLSP



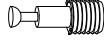
x1 RM-ALK01 - 4mm ALLEN KEY

x16



RM-CAM03 - 15mm MINIFIX CAM

x16



RM-BLT06 - 24mm QUICKFIX PIN

x4



RM-PAR07 - TRANSPARENT SHELF CLIP

x12

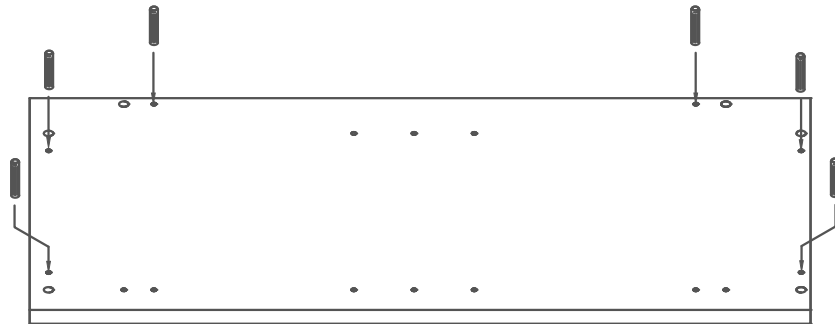
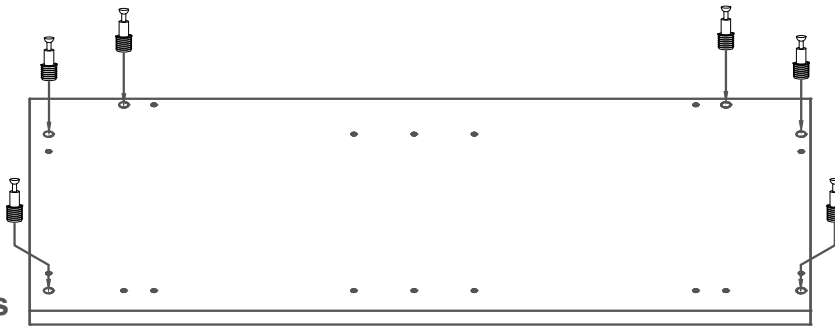


RM-WOW01 - 5mm WOOD DOWEL

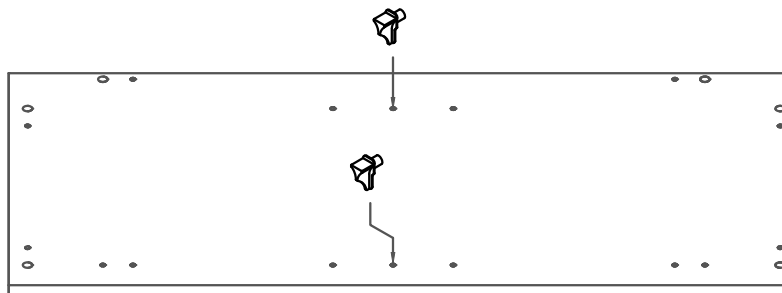


Insert Dowels, Woodfix Pins and Shelf Clips into both side panels as shown

Quickfix Pins



Wood Dowels

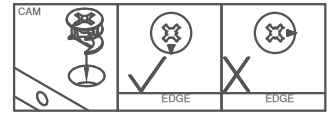


Shelf Clips

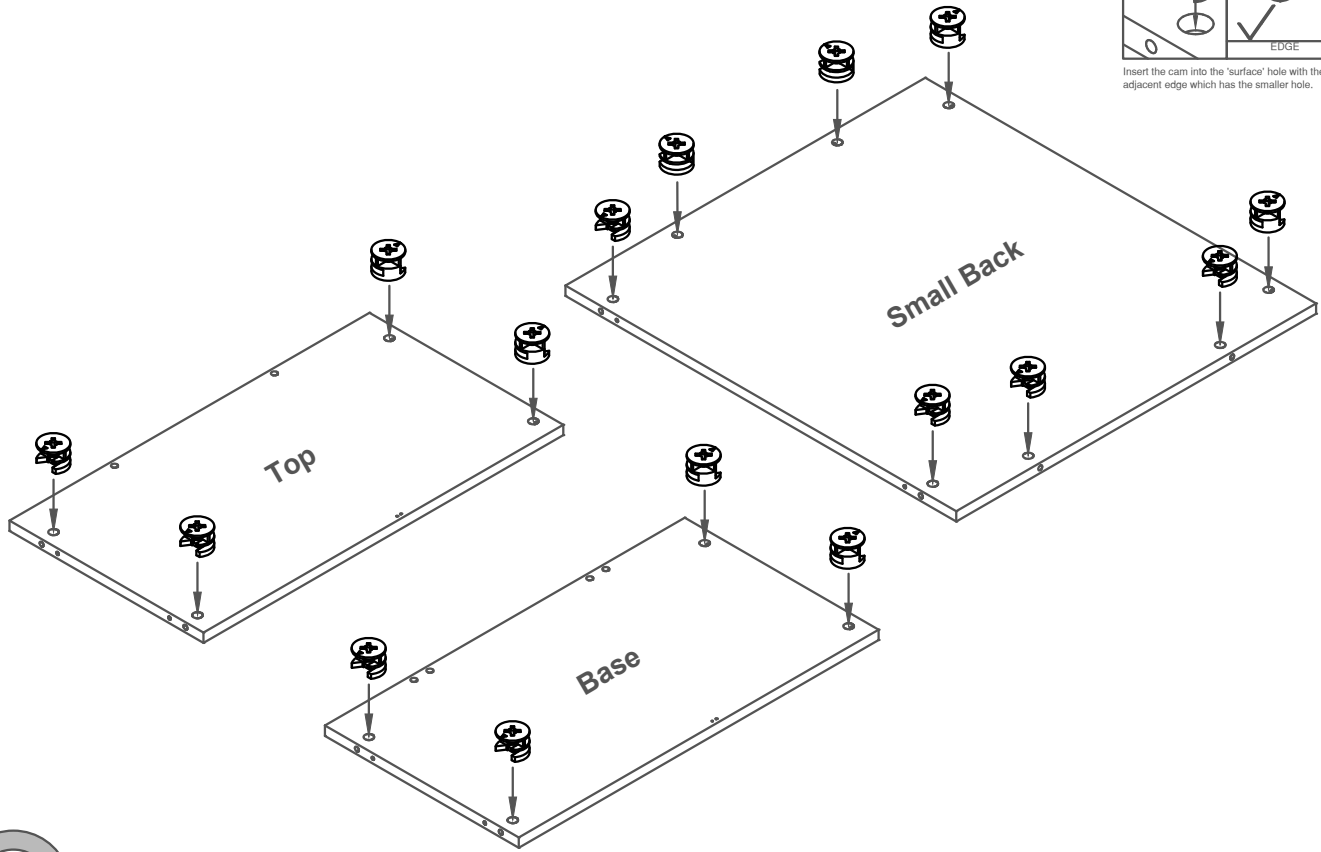
Right Hand Side Panel Shown
Repeat for Left Hand Side Panel

STEP
2

Insert the Cams into the back panels, top, base and fixed shelf.

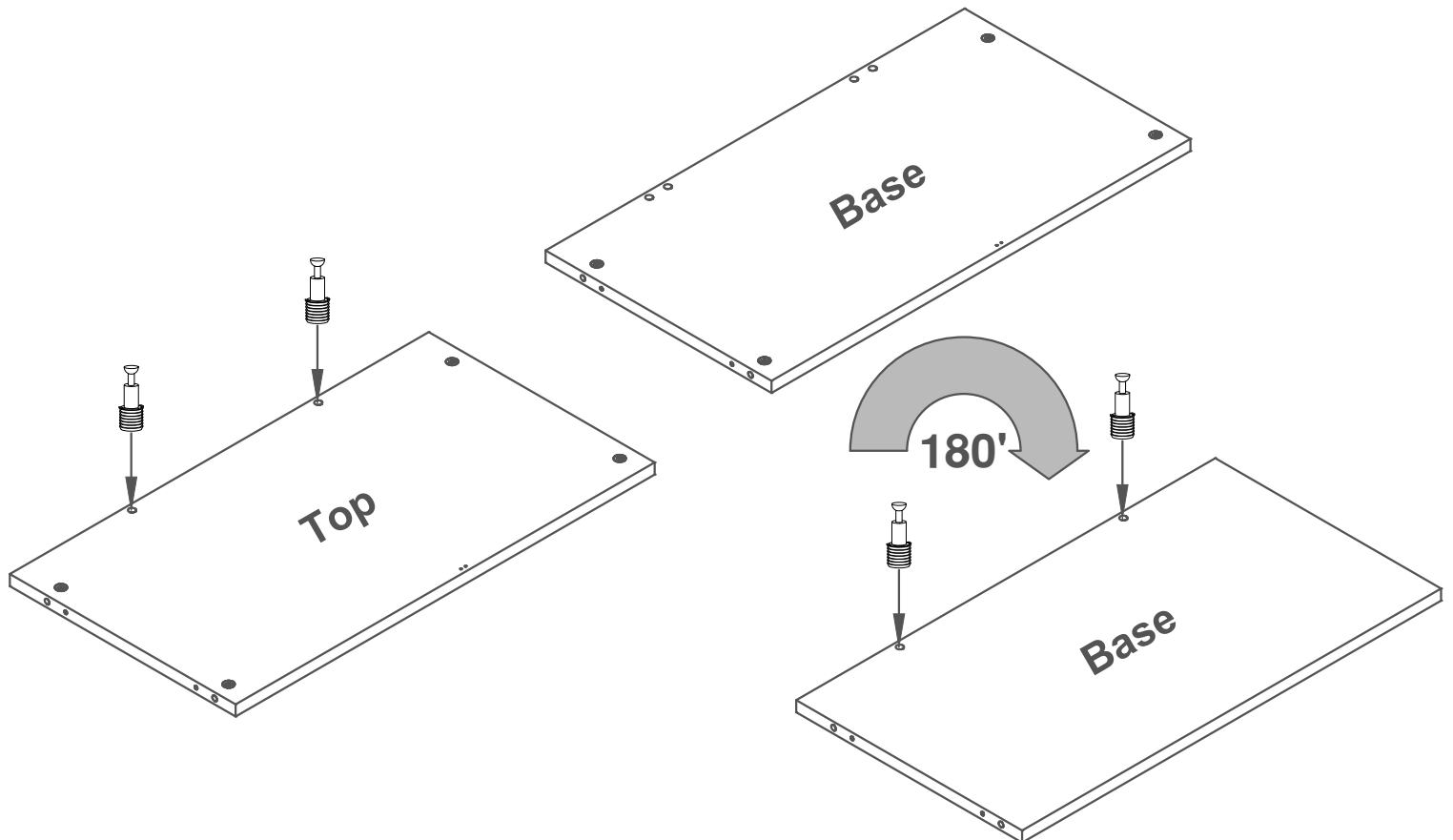


Insert the cam into the 'surface' hole with the arrow aimed at the adjacent edge which has the smaller hole.

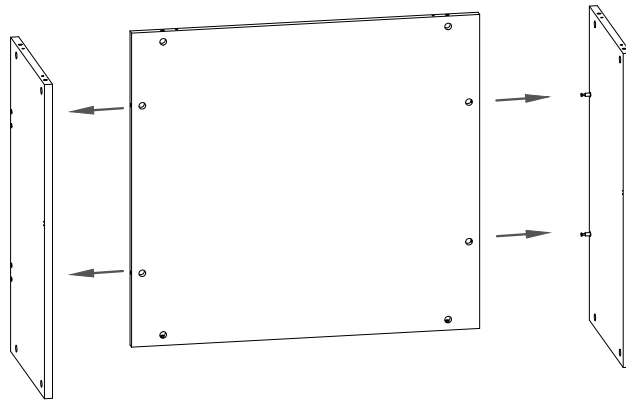


STEP
3

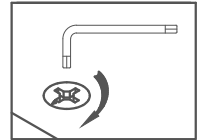
Insert the Quickfix Pins into the top and base.
The base will need to be turned over to insert pins in the opposite face.



STEP
4

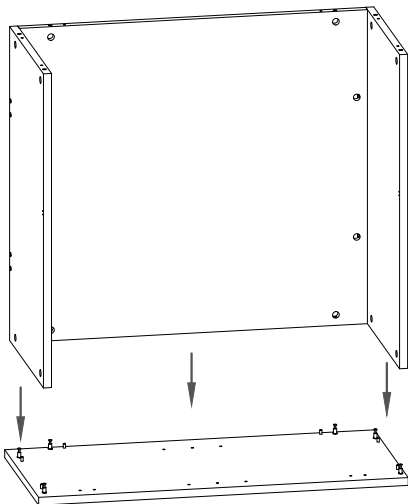


**ATTACH THE TOP AND BASE TO THE BACK PANEL.
PLEASE ENSURE THAT ALL CAM FITTINGS ARE TIGHTENED**



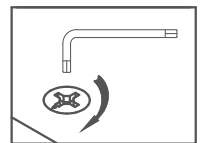
Make sure you turn the cams as far as they will easily go - more than half a turn.

STEP
5



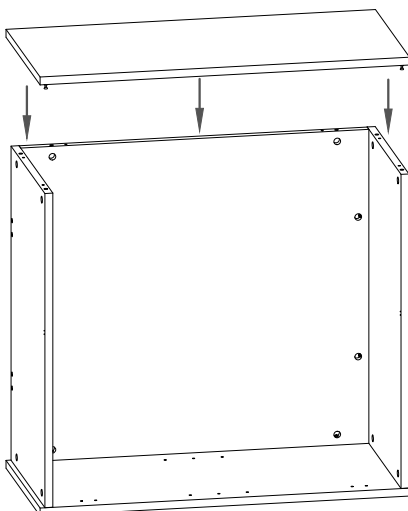
ATTACH THE PART ASSEMBLED CARCASS TO THE RH SIDE PANEL.

PLEASE ENSURE THAT ALL CAM FITTINGS ARE TIGHTENED.



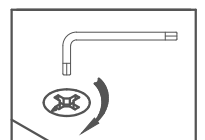
Make sure you turn the cams as far as they will easily go - more than half a turn.

STEP
6



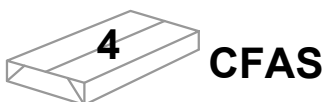
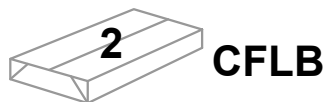
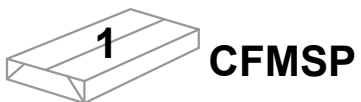
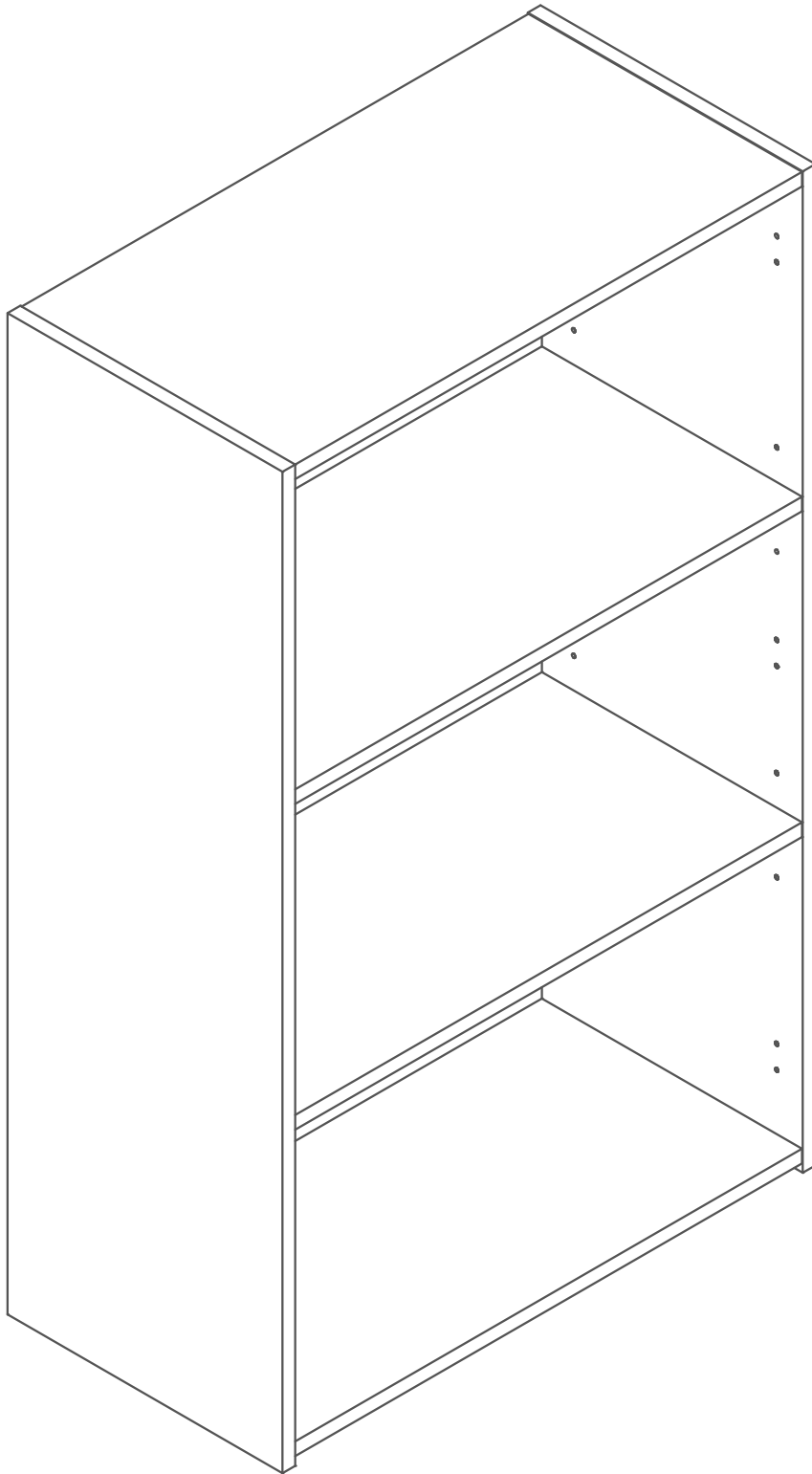
FINALLY ATTACH THE PART ASSEMBLED CARCASS TO THE LH SIDE PANEL.

PLEASE ENSURE THAT ALL CAM FITTINGS ARE TIGHTENED.



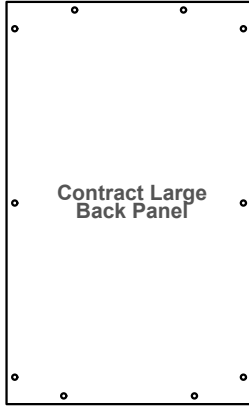
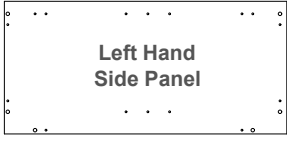
Make sure you turn the cams as far as they will easily go - more than half a turn.

CFMBC

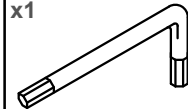




Please check that you have all the packages and fittings



Please Note all fittings are packed in the CFMSP



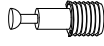
RM-ALK01 - 4mm ALLEN KEY

x18



RM-CAM03 - 15mm MINIFIX CAM

x18



RM-BLT06 - 24mm QUICKFIX PIN

x8



RM-PAR07 - TRANSPARENT SHELF CLIP

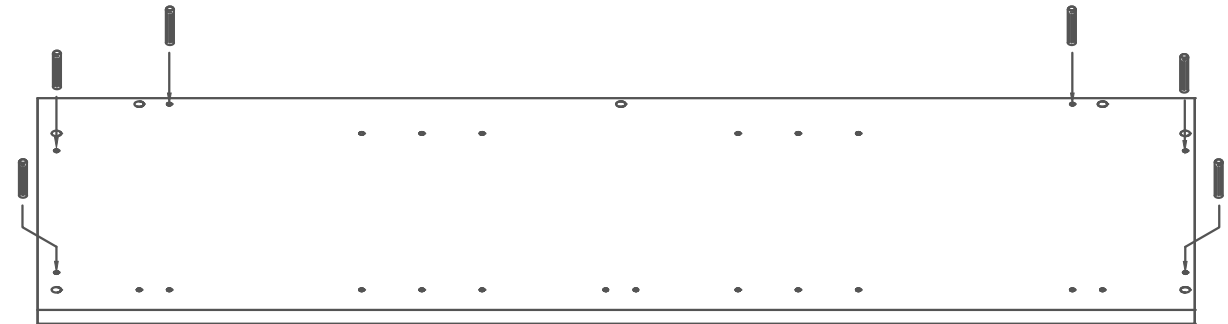
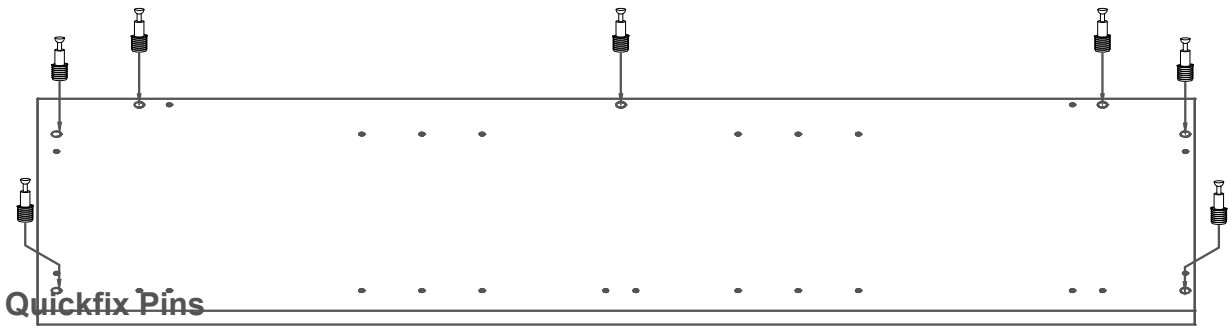
x12



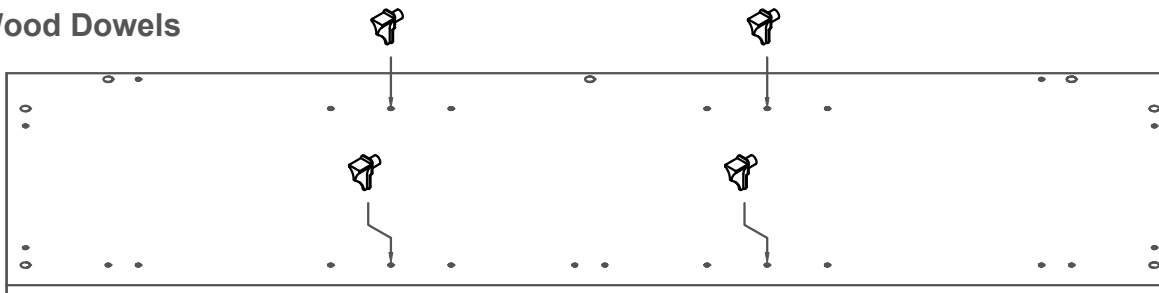
RM-WOW01 - 5mm WOOD DOWEL



STEP 1 Insert Dowels, Woodfix Pins and Shelf Clips into both side panels as shown



Wood Dowels

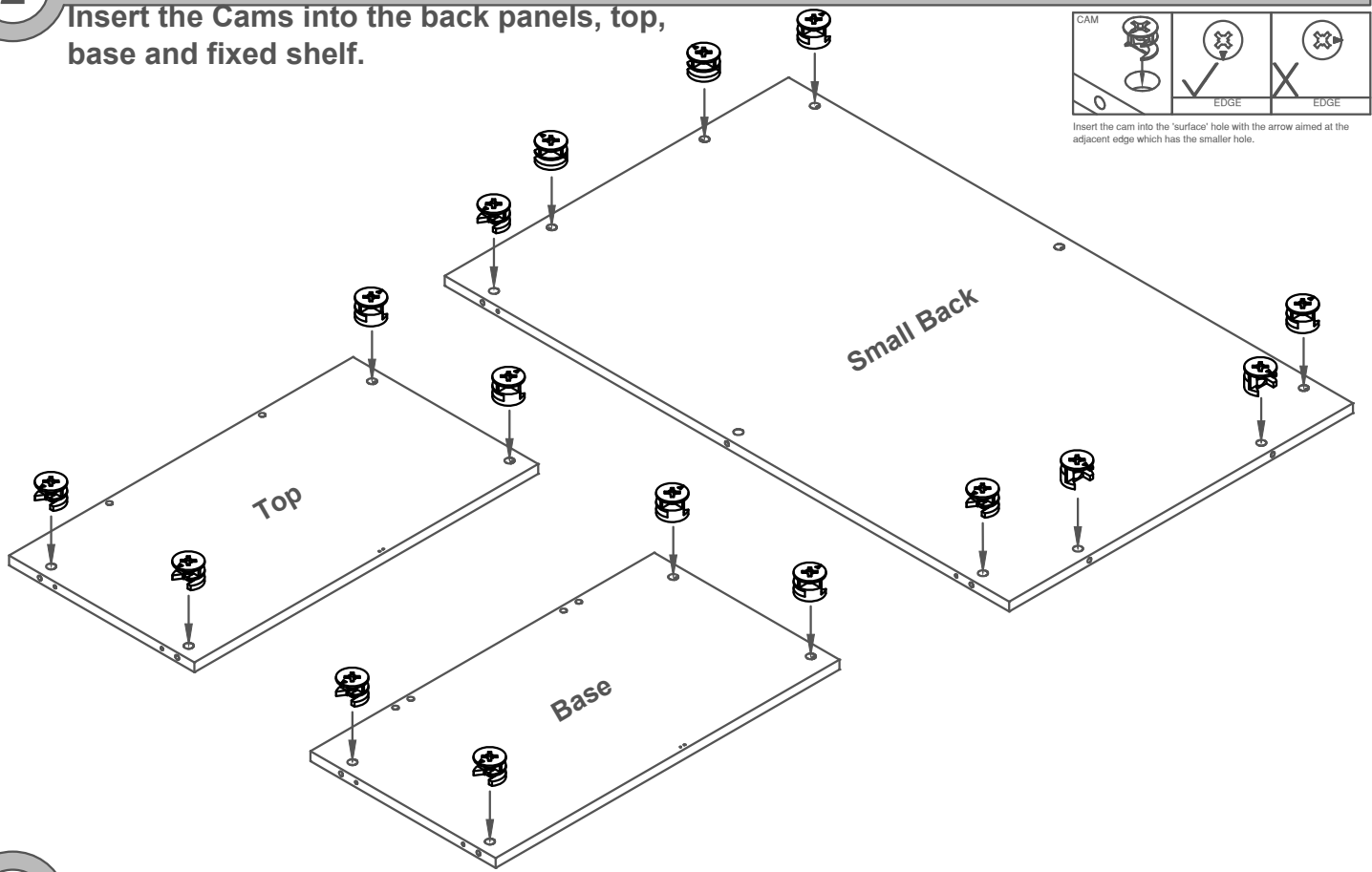


Shelf Clips

Right Hand Side Panel Shown
Repeat for Left Hand Side Panel

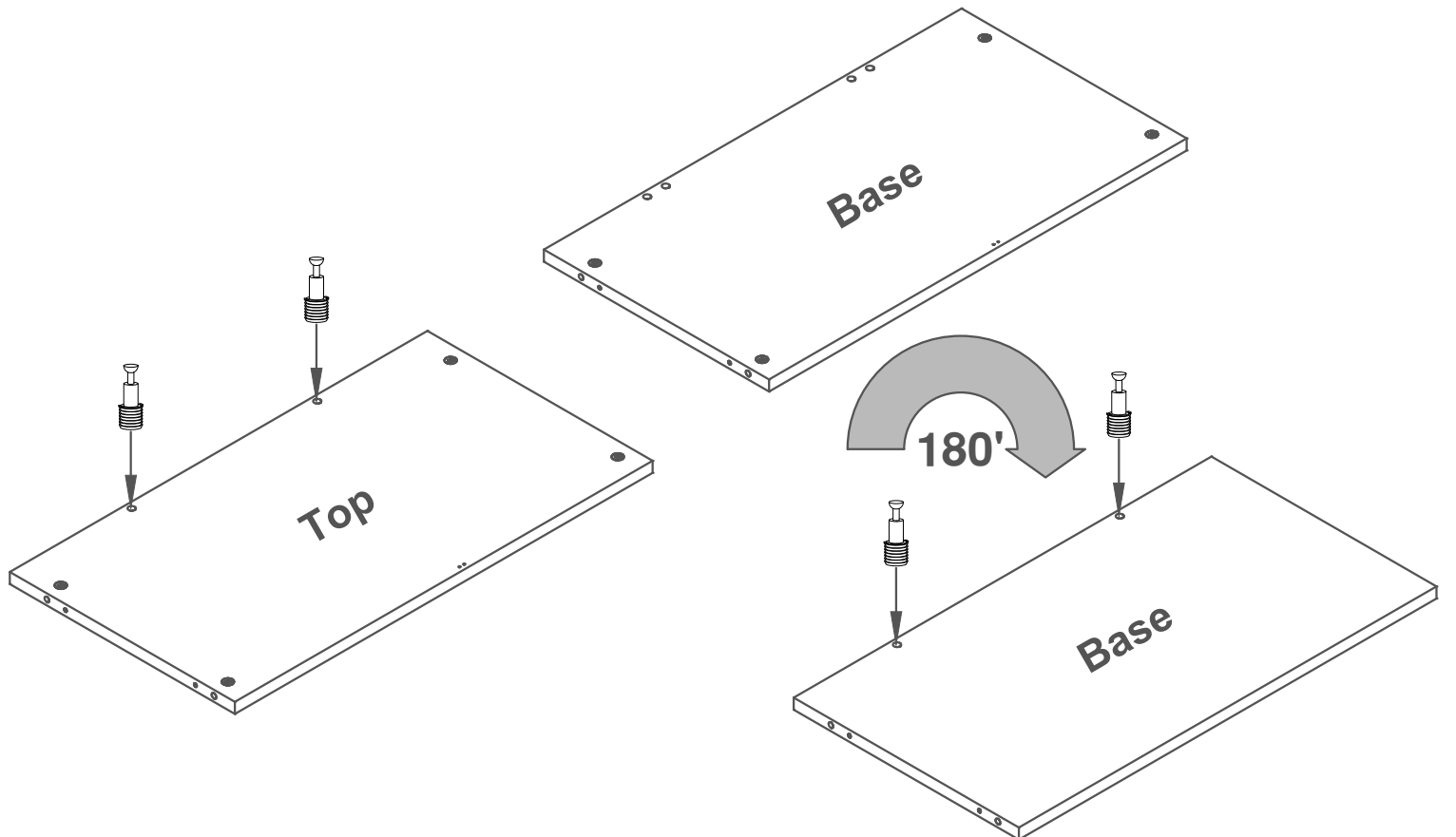
STEP
2

Insert the Cams into the back panels, top, base and fixed shelf.

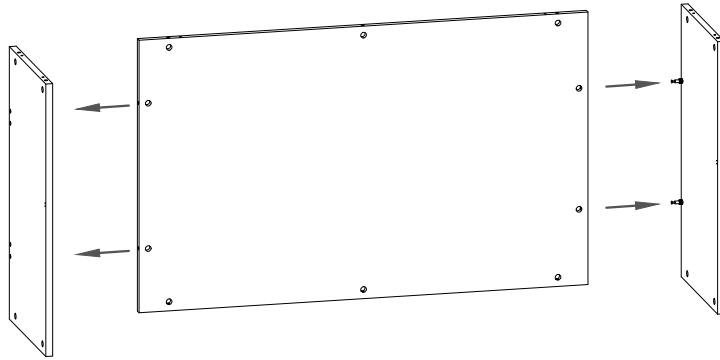


STEP
3

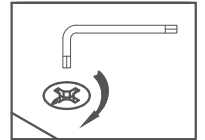
Insert the Quickfix Pins into the top and base. The base will need to be turned over to insert pins in the opposite face.



STEP
4

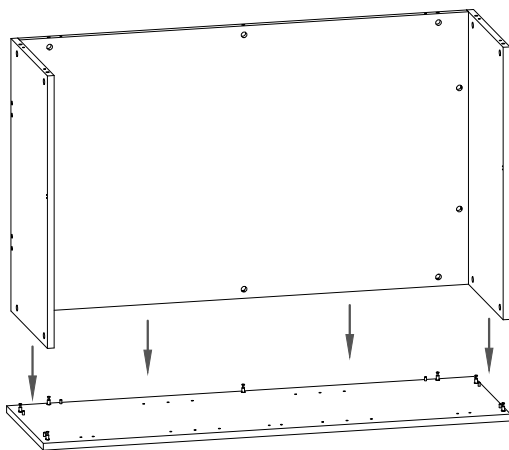


**ATTACH THE TOP AND BASE TO THE BACK PANEL.
PLEASE ENSURE THAT ALL CAM FITTINGS ARE TIGHTENED**



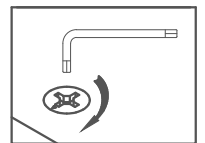
Make sure you turn the cams as far as they will easily go - more than half a turn.

STEP
5



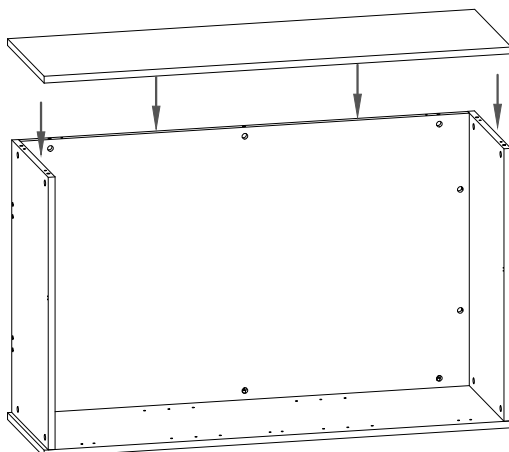
ATTACH THE PART ASSEMBLED CARCASS TO THE RH SIDE PANEL.

PLEASE ENSURE THAT ALL CAM FITTINGS ARE TIGHTENED.



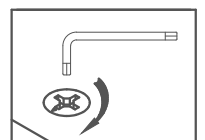
Make sure you turn the cams as far as they will easily go - more than half a turn.

STEP
6



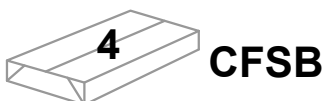
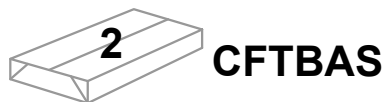
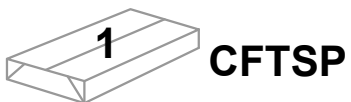
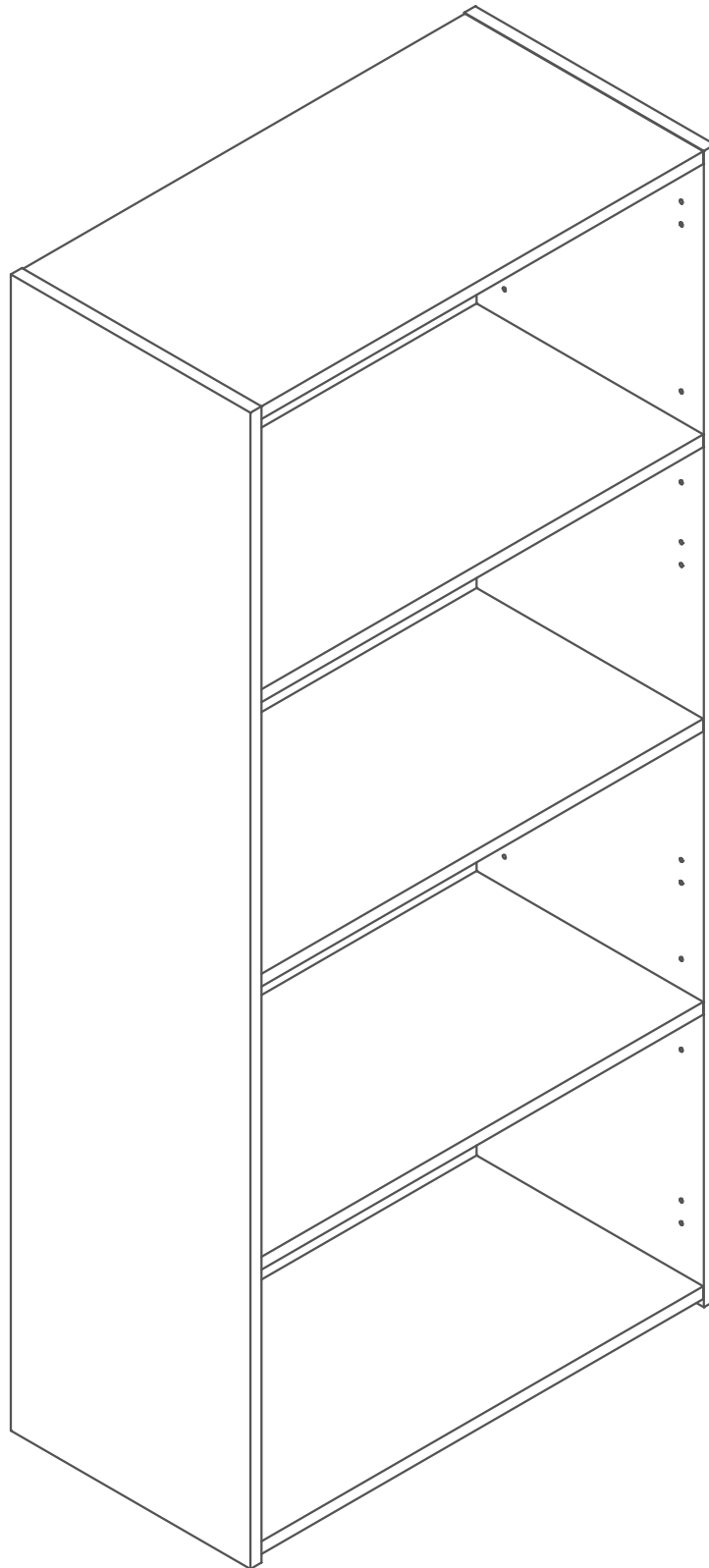
FINALLY ATTACH THE PART ASSEMBLED CARCASS TO THE LH SIDE PANEL.

PLEASE ENSURE THAT ALL CAM FITTINGS ARE TIGHTENED.



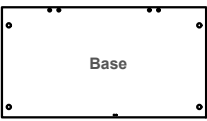
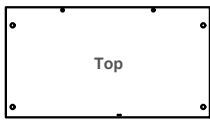
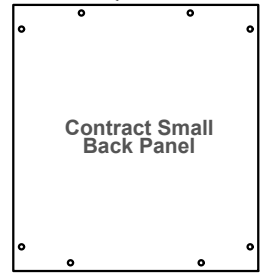
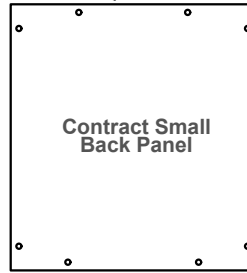
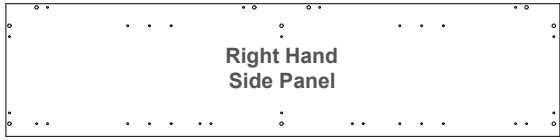
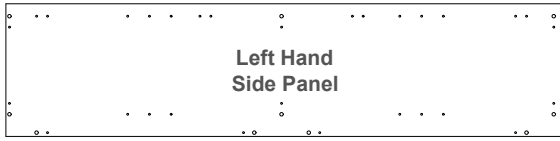
Make sure you turn the cams as far as they will easily go - more than half a turn.

CFTBC



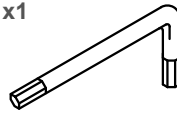


Please check that you have all the packages and fittings



Please Note all fittings are packed in the CFHSP

x1



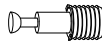
RM-ALK01 - 4mm ALLEN KEY

x28



RM-CAM03 - 15mm MINIFIX CAM

x28



RM-BLT06 - 24mm QUICKFIX PIN

x8



RM-PAR07 - TRANSPARENT SHELF CLIP

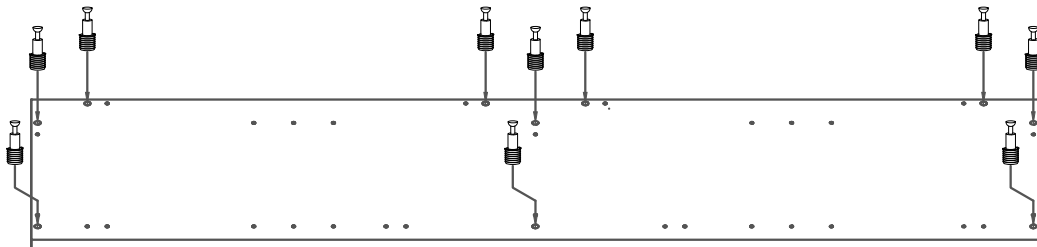
x20



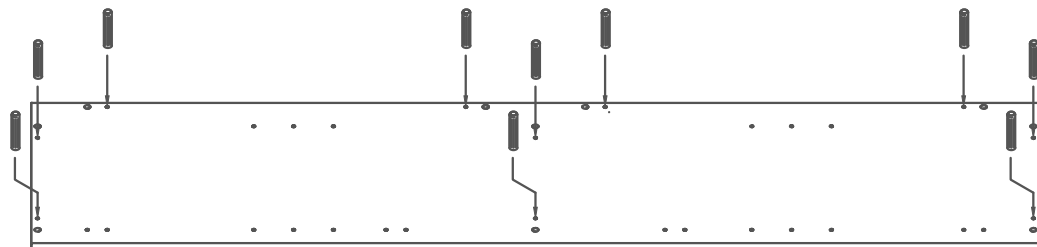
RM-WOW01 - 5mm WOOD DOWEL

STEP 1

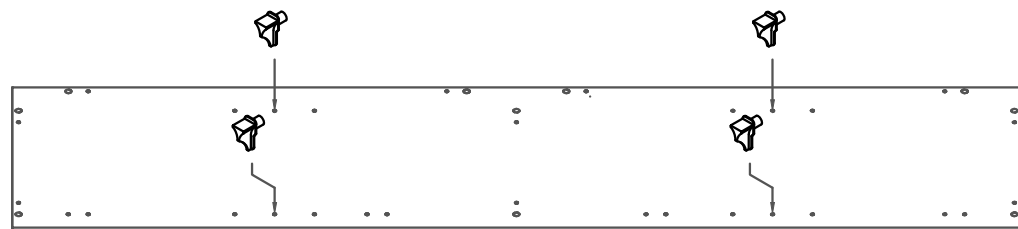
Insert Dowels, Woodfix Pins and Shelf Clips into both side panels as shown



Quickfix Pins



Wood Dowels

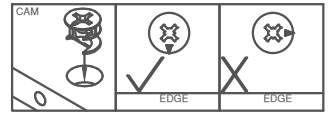


Shelf Clips

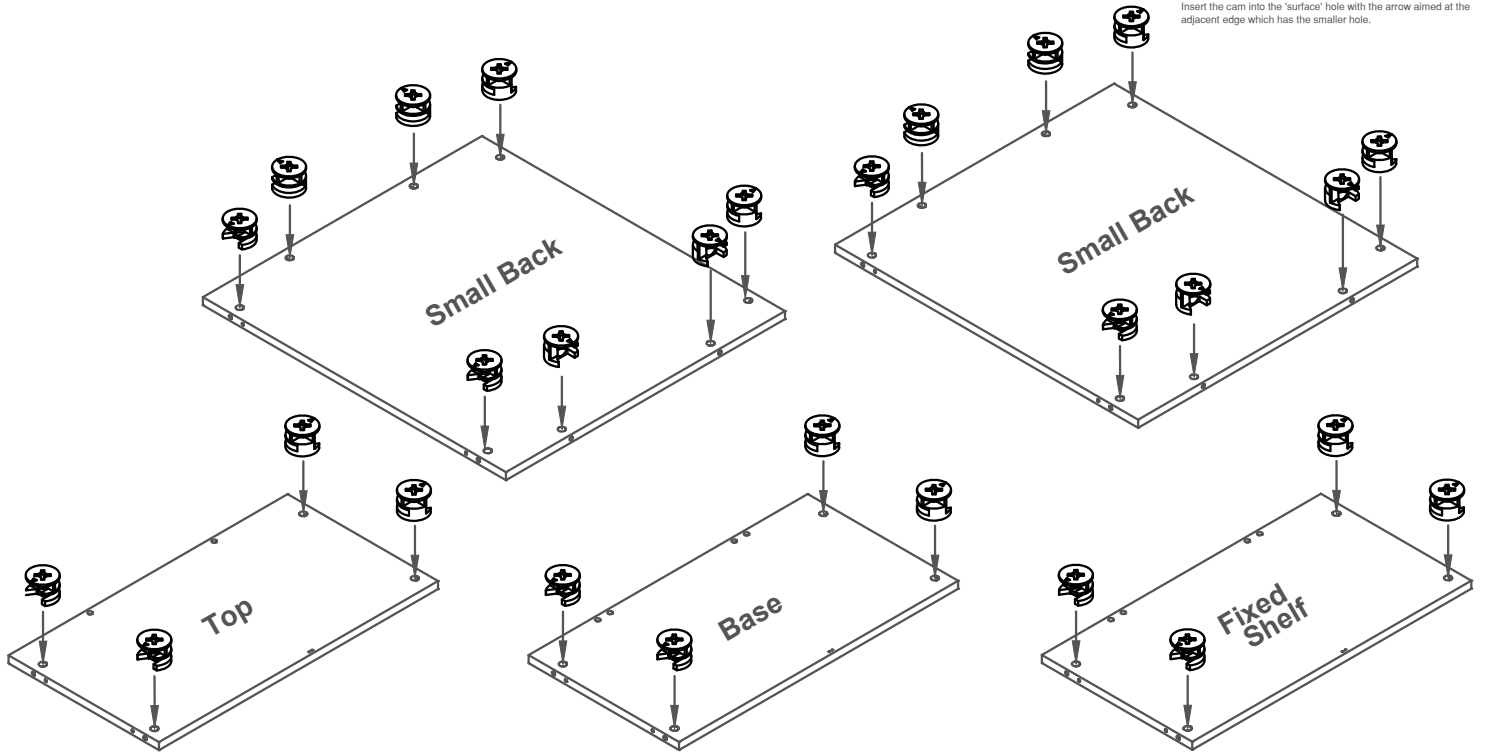
Right Hand Side Panel Shown
Repeat for Left Hand Side Panel

STEP
2

Insert the Cams into the back panels, top, base and fixed shelf.



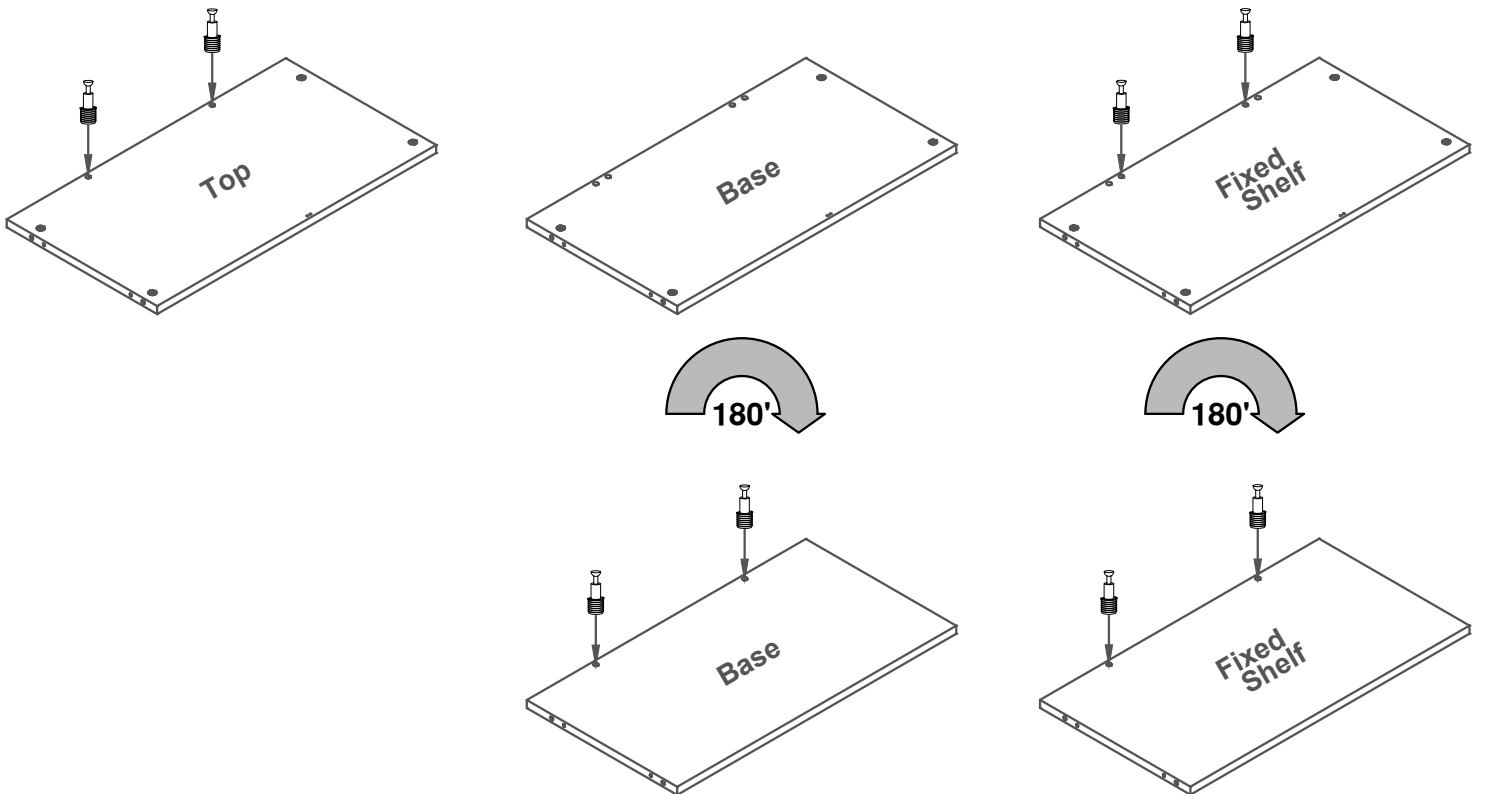
Insert the cam into the 'surface' hole with the arrow aimed at the adjacent edge which has the smaller hole.



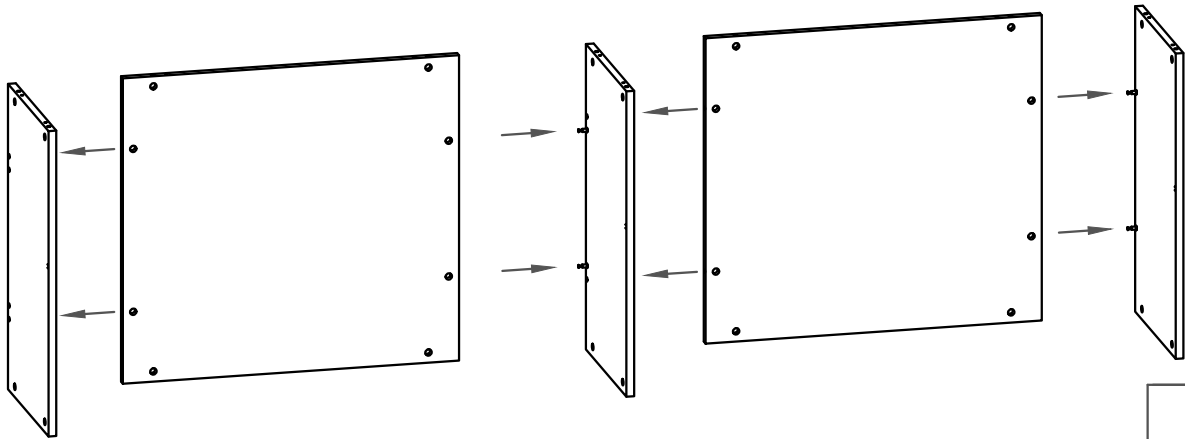
STEP
3

Insert the Quickfix Pins into the top, base and fixed shelf.

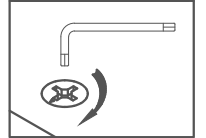
The base and fixed shelf need to be turned over to insert pins in the opposite face.



STEP
4

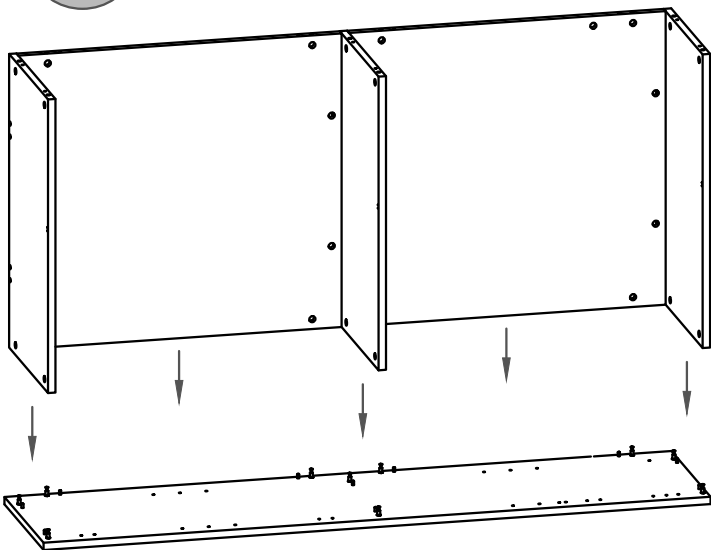


**ATTACH THE TOP, BASE AND FIXED SHELF TO THE BACK PANELS.
PLEASE ENSURE THAT ALL CAM FITTINGS ARE TIGHTENED**



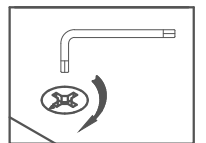
Make sure you turn the cams as far as they will easily go - more than half a turn.

STEP
5



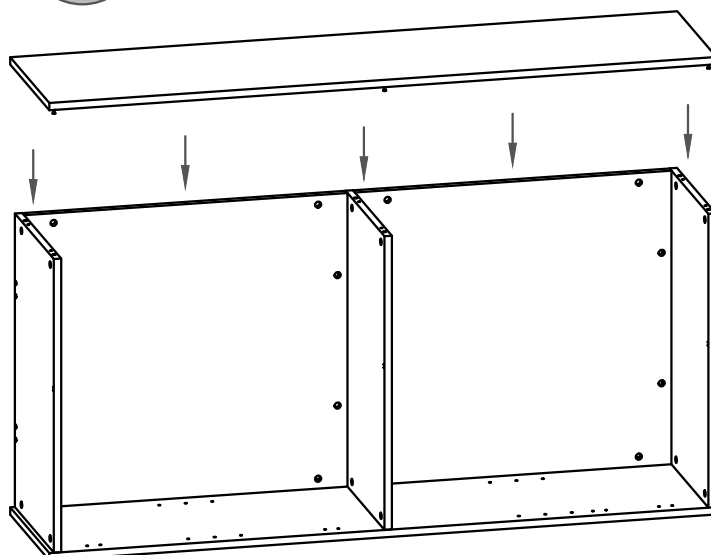
ATTACH THE PART ASSEMBLED CARCASS TO THE RH SIDE PANEL.

PLEASE ENSURE THAT ALL CAM FITTINGS ARE TIGHTENED.



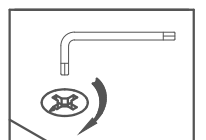
Make sure you turn the cams as far as they will easily go - more than half a turn.

STEP
6



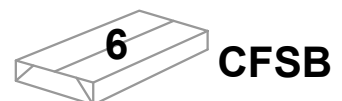
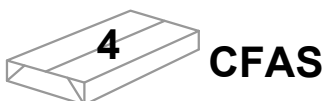
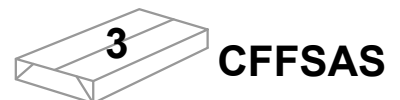
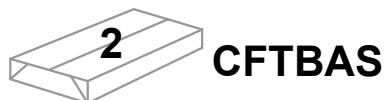
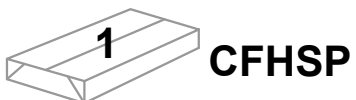
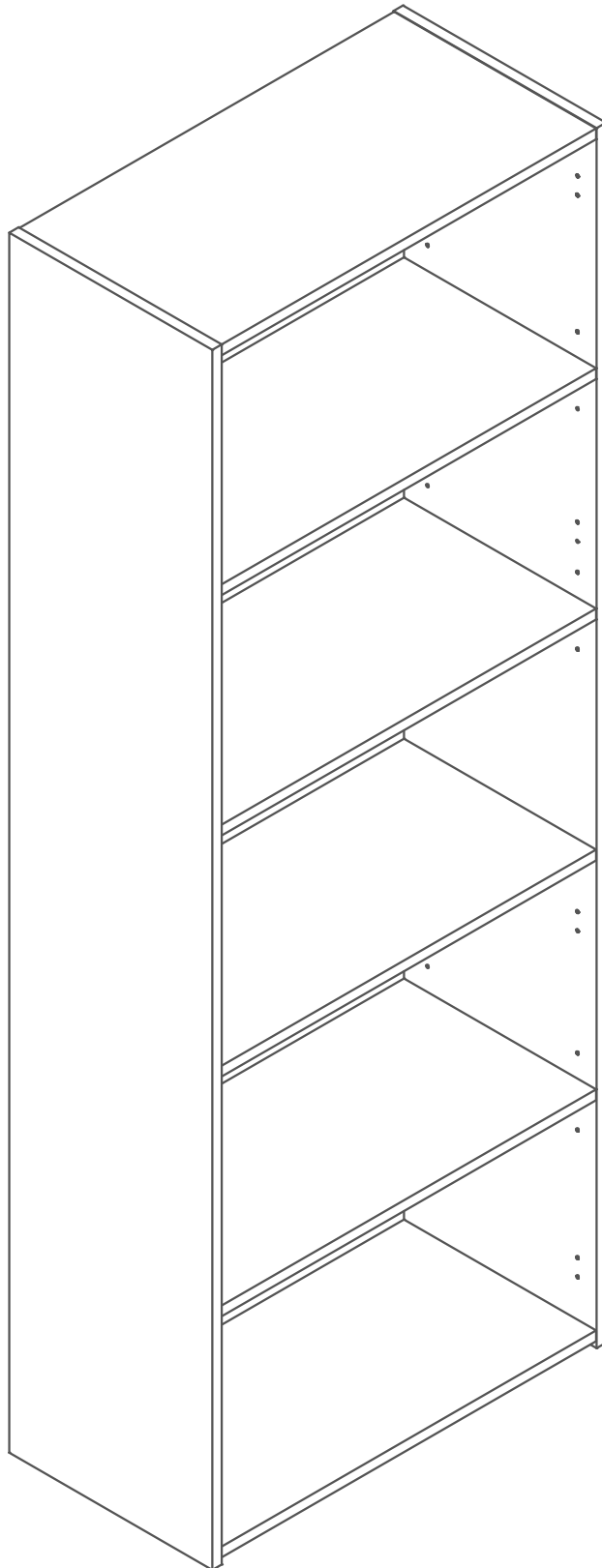
FINALLY ATTACH THE PART ASSEMBLED CARCASS TO THE LH SIDE PANEL.

PLEASE ENSURE THAT ALL CAM FITTINGS ARE TIGHTENED.



Make sure you turn the cams as far as they will easily go - more than half a turn.

CFHBC





Please check that you have all the packages and fittings



Left Hand Side Panel

Right Hand Side Panel



Contract Large Back Panel



Contract Small Back Panel



Top

Base

Adjustable Shelf



Fixed Shelf

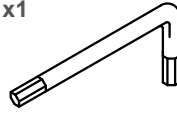
Adjustable Shelf



Adjustable Shelf

Please Note all fittings are packed in the CFHSP

x1



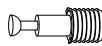
RM-ALK01 - 4mm ALLEN KEY

x30



RM-CAM03 - 15mm MINIFIX CAM

x30



RM-BLT06 - 24mm QUICKFIX PIN

x12



RM-PAR07 - TRANSPARENT SHELF CLIP

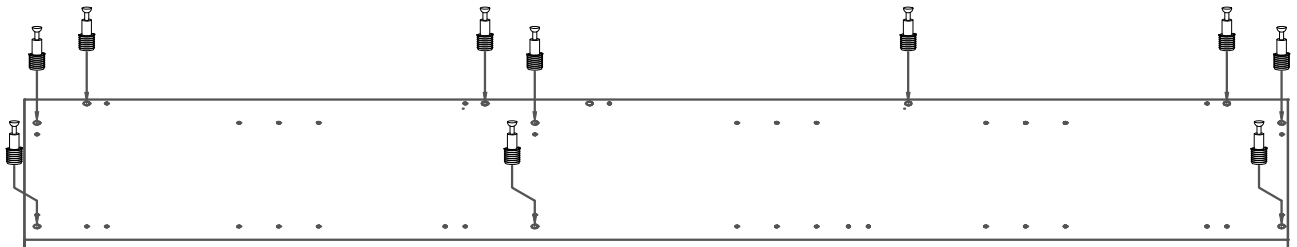
x20



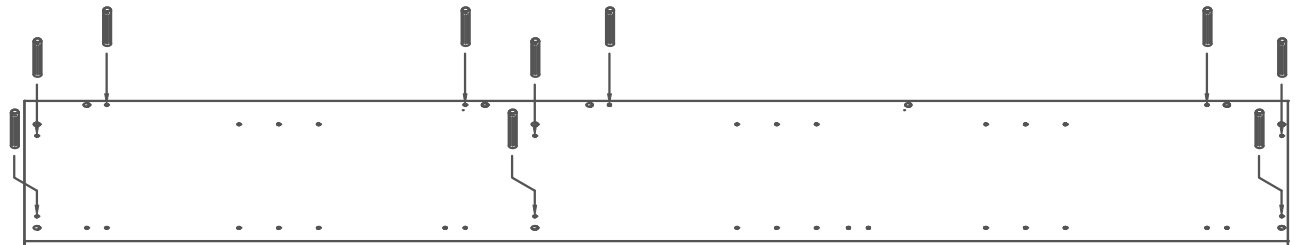
RM-WOW01 - 5mm WOOD DOWEL

STEP 1

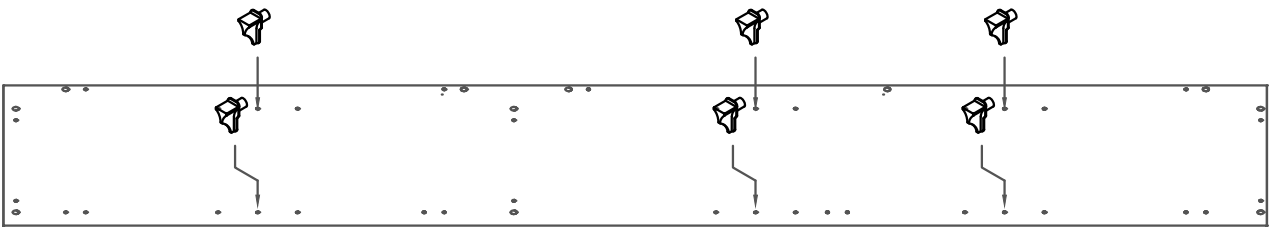
Insert Dowels, Woodfix Pins and Shelf Clips into both side panels as shown



Quickfix Pins



Wood Dowels

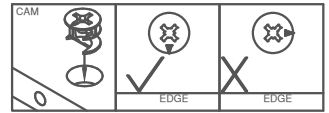


Shelf Clips

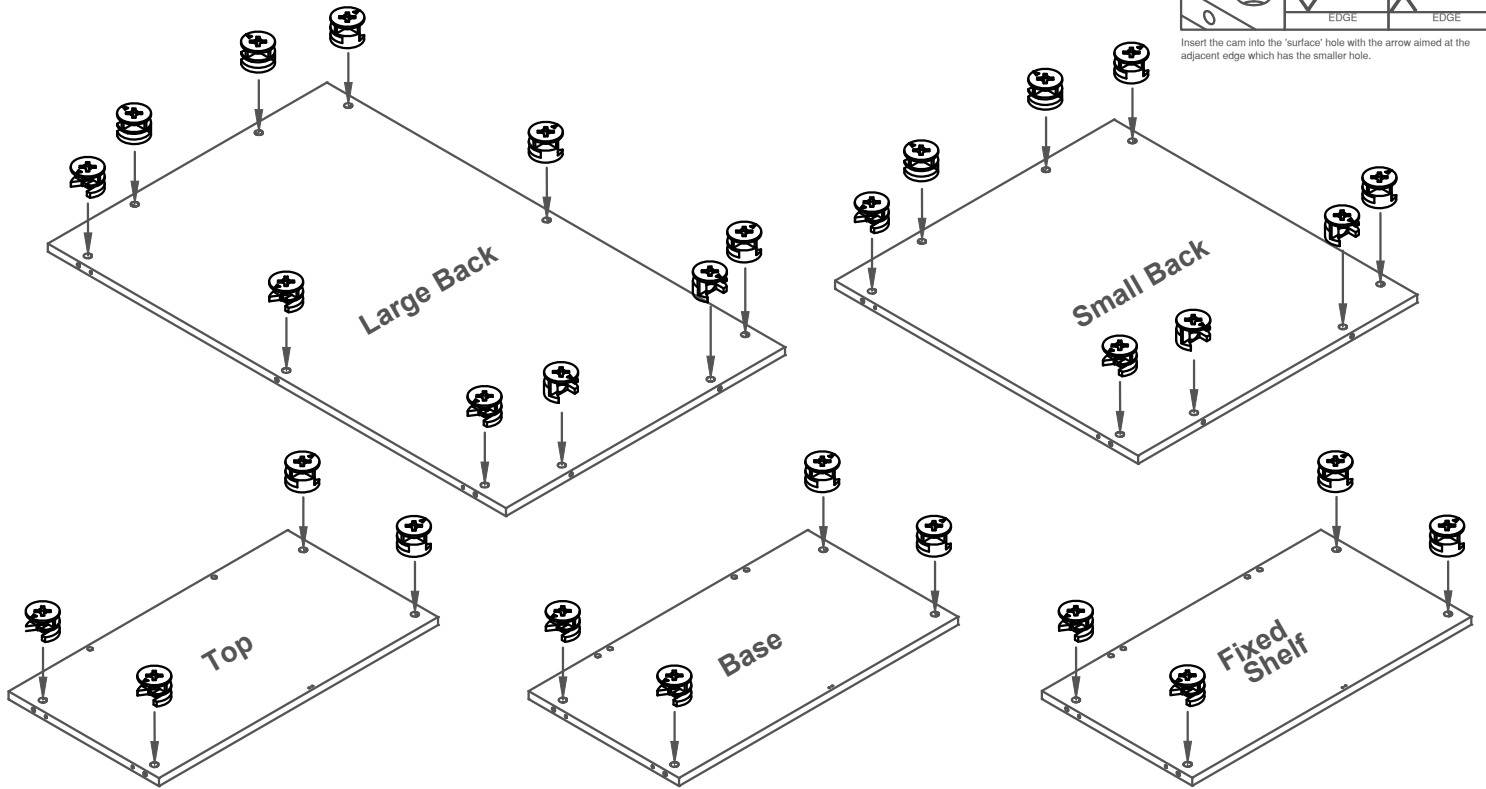
Right Hand Side Panel Shown
Repeat for Left Hand Side Panel

STEP
2

Insert the Cams into the back panels, top, base and fixed shelf.



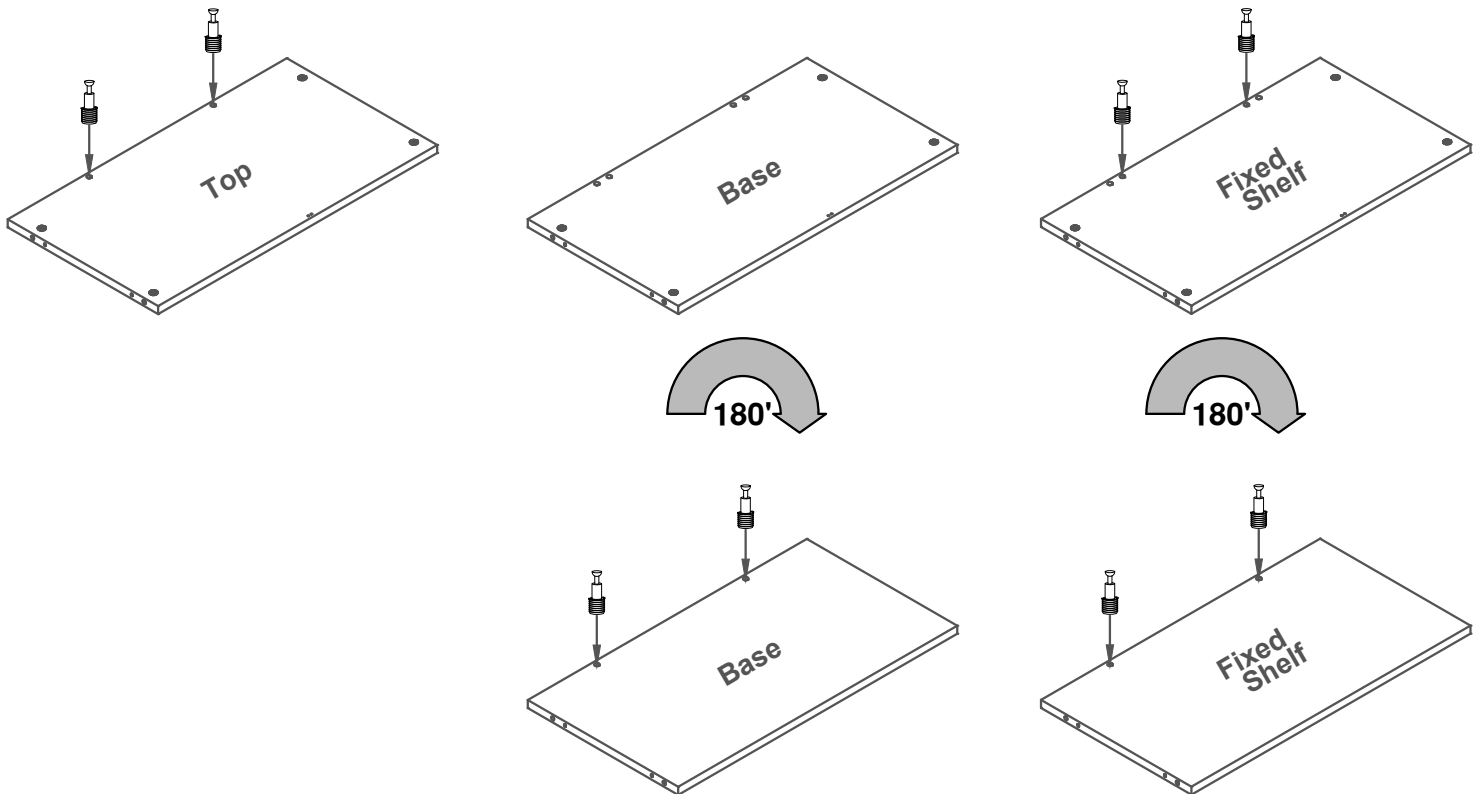
Insert the cam into the 'surface' hole with the arrow aimed at the adjacent edge which has the smaller hole.



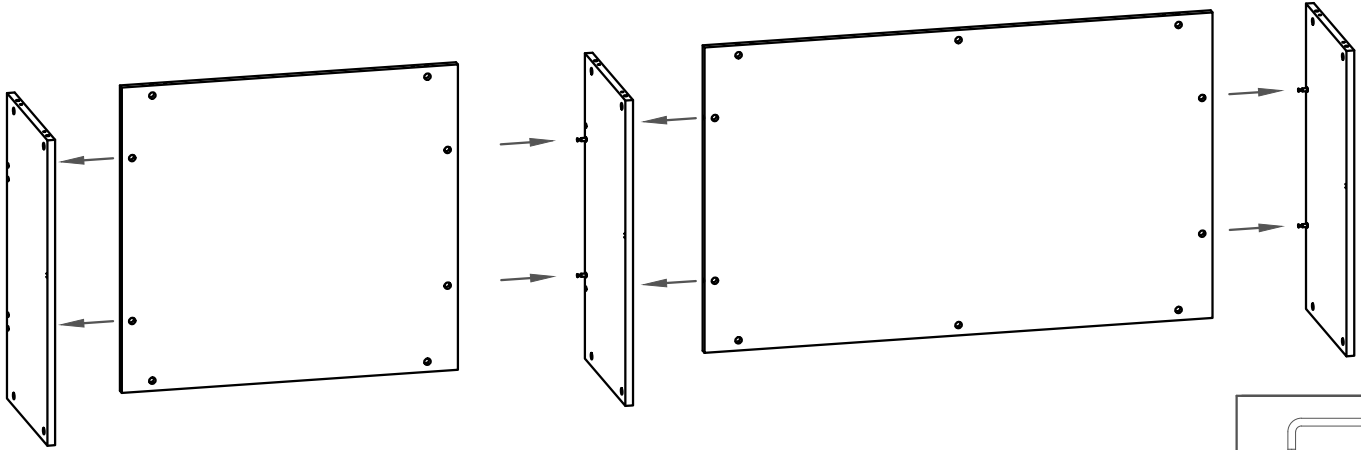
STEP
3

Insert the Quickfix Pins into the top, base and fixed shelf.

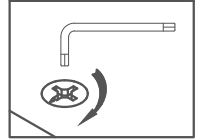
The base and fixed shelf need to be turned over to insert pins in the opposite face.



STEP
4

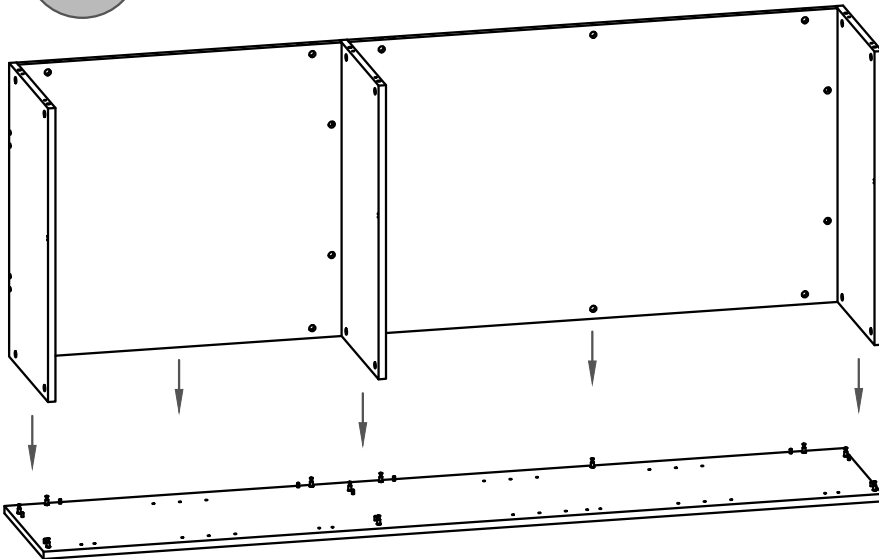


**ATTACH THE TOP, BASE AND FIXED SHELF TO THE BACK PANELS.
PLEASE ENSURE THAT ALL CAM FITTINGS ARE TIGHTENED**



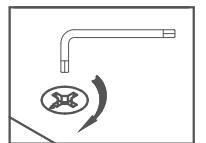
Make sure you turn the cams as far as they will easily go - more than half a turn.

STEP
5



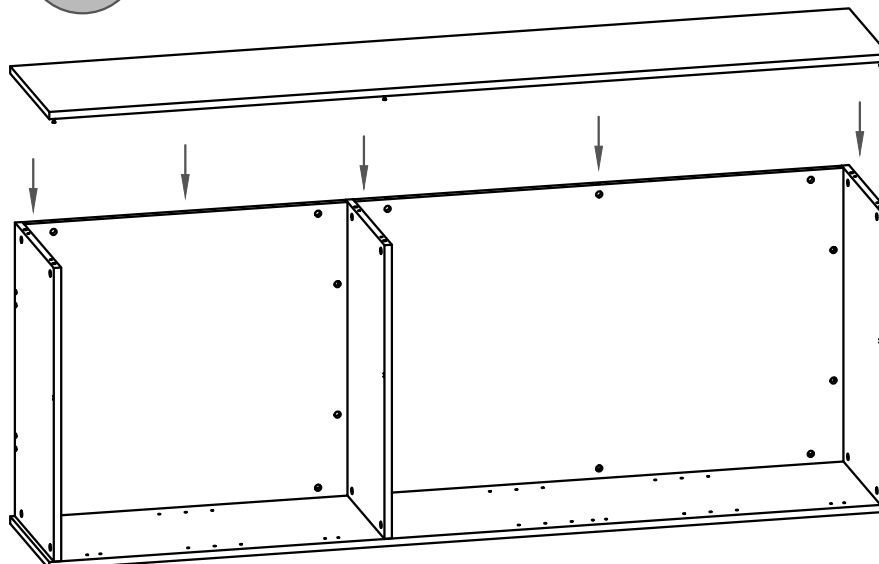
ATTACH THE PART ASSEMBLED CARCASS TO THE RH SIDE PANEL.

PLEASE ENSURE THAT ALL CAM FITTINGS ARE TIGHTENED.



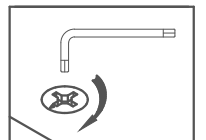
Make sure you turn the cams as far as they will easily go - more than half a turn.

STEP
6



FINALLY ATTACH THE PART ASSEMBLED CARCASS TO THE LH SIDE PANEL.

PLEASE ENSURE THAT ALL CAM FITTINGS ARE TIGHTENED.



Make sure you turn the cams as far as they will easily go - more than half a turn.