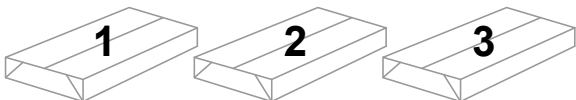
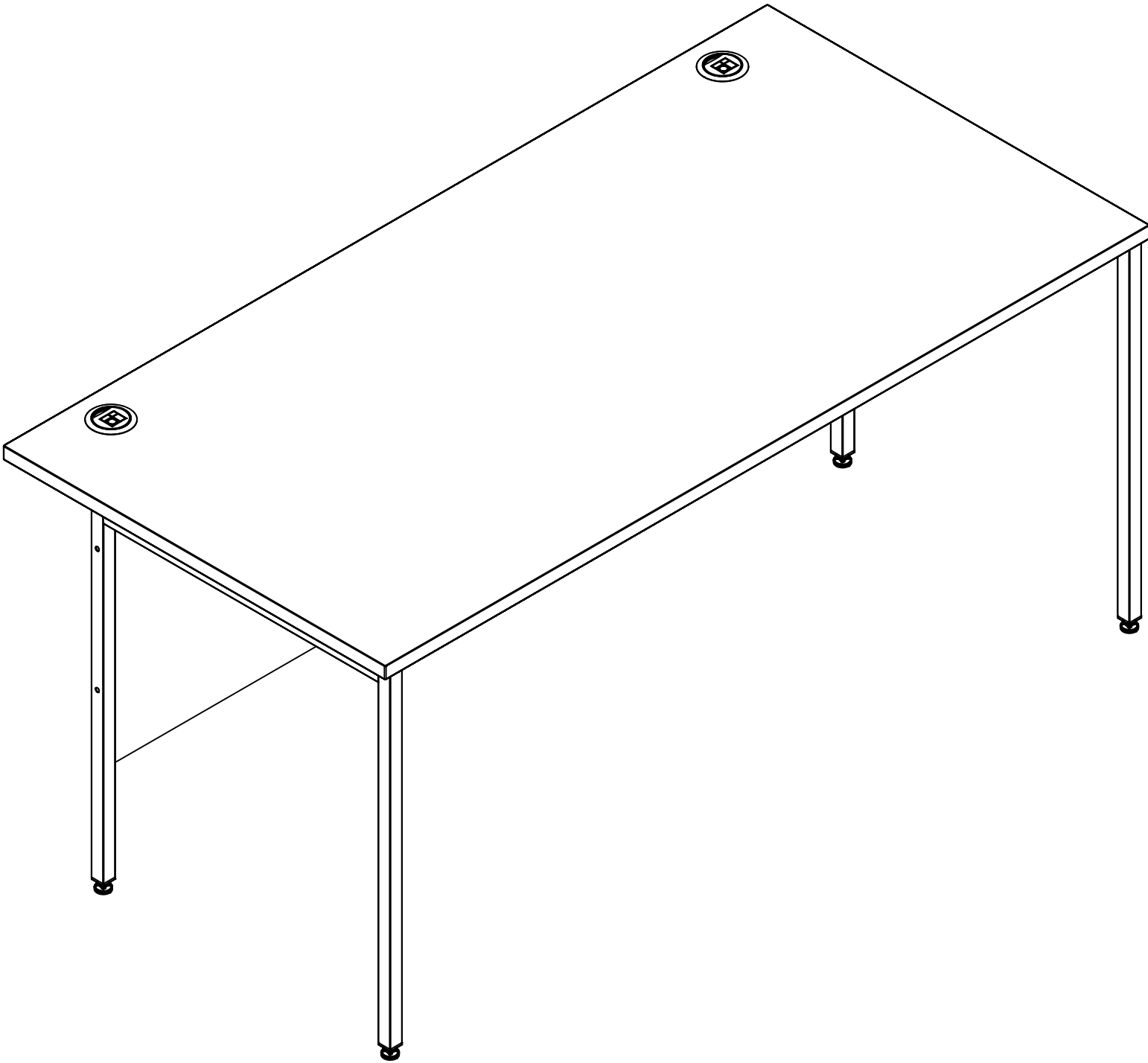
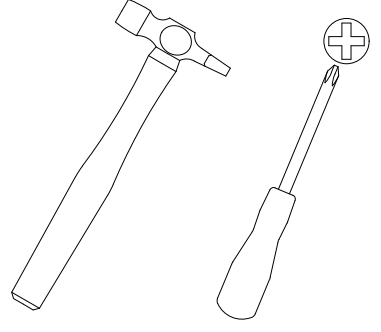
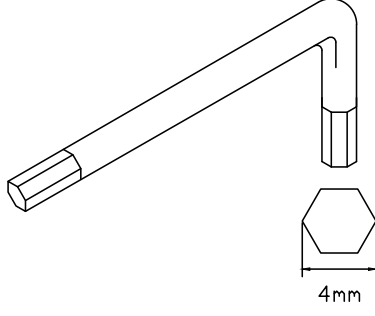
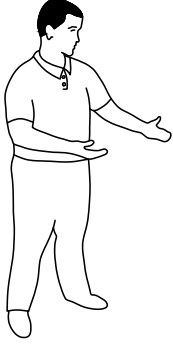


CLFH

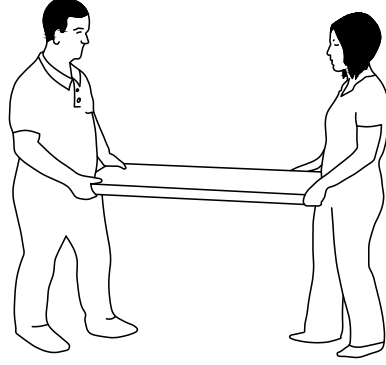
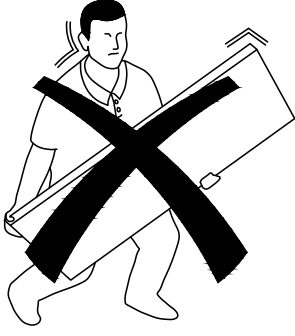
Contract H-Frame End Legs



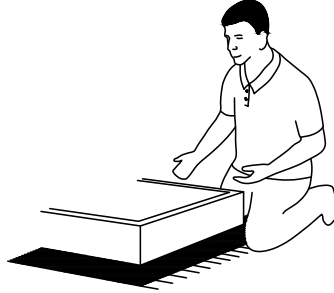
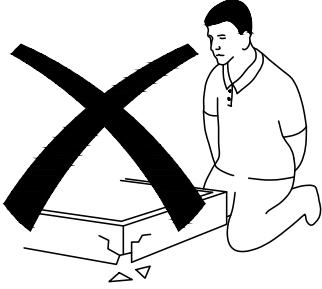
TOOLS REQUIRED FOR ASSEMBLY



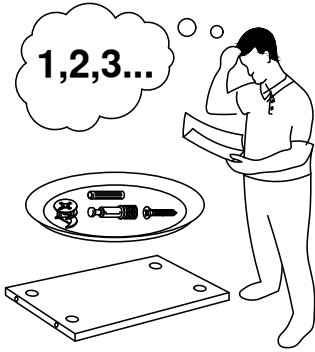
DON'T STRUGGLE 2 MAN LIFT



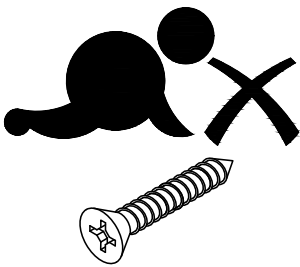
ALWAYS HANDLE ITEMS WITH CARE



IF UNSURE CALL FOR ASSISTANCE

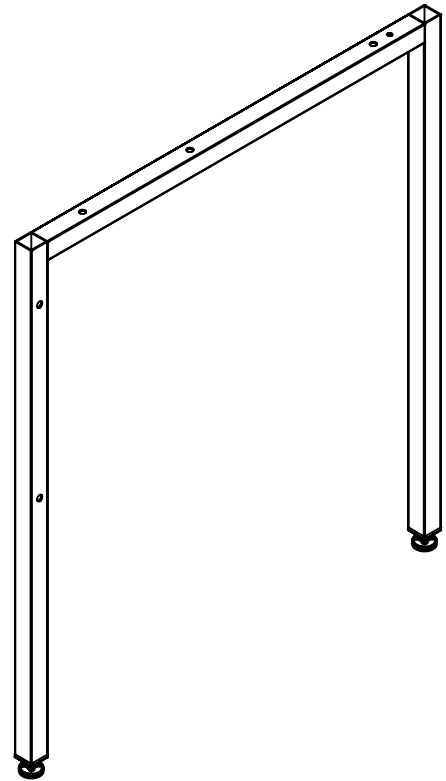
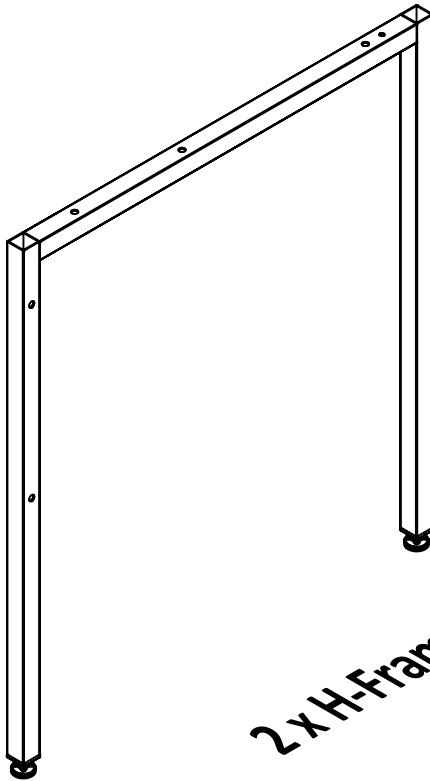
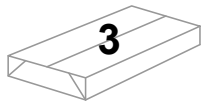
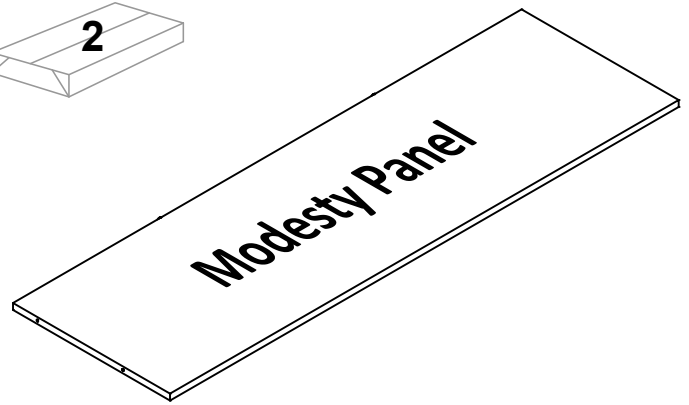
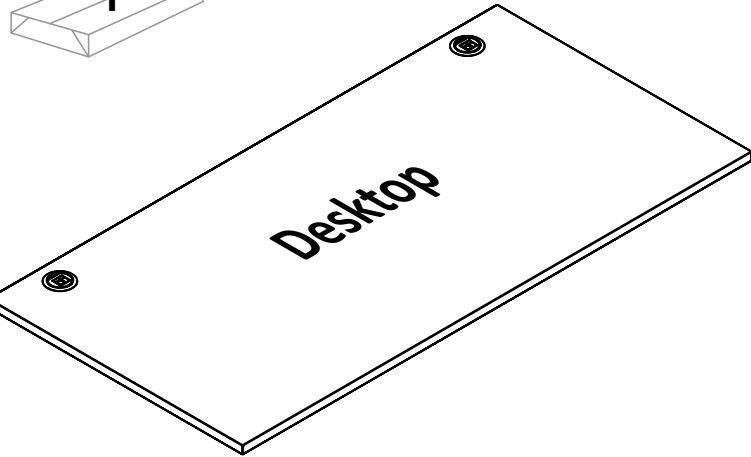
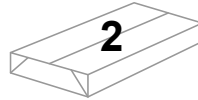
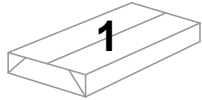


KEEP FITTINGS AWAY FROM CHILDREN





Please check that you have all the components!



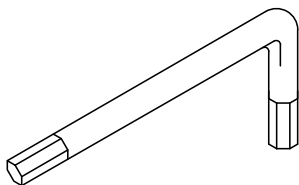
2 x H-Frame Leg



Please check that you have all the hardware!

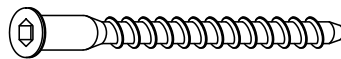
4mm Allen Key
RM-ALK01

x1



Confirmat Screw 70mm
RM-CFM04 (Silver) - RM-CFM02 (Black)

x4



Nylon M6x10 Socket
RM-PAR05

x4



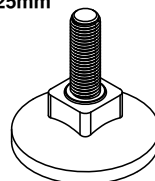
Connect Bolt M6x35mm
RM-BLT03

x4



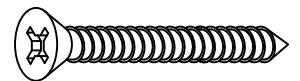
Adjustable Foot Dia 25mm
RM-FRL20

x4



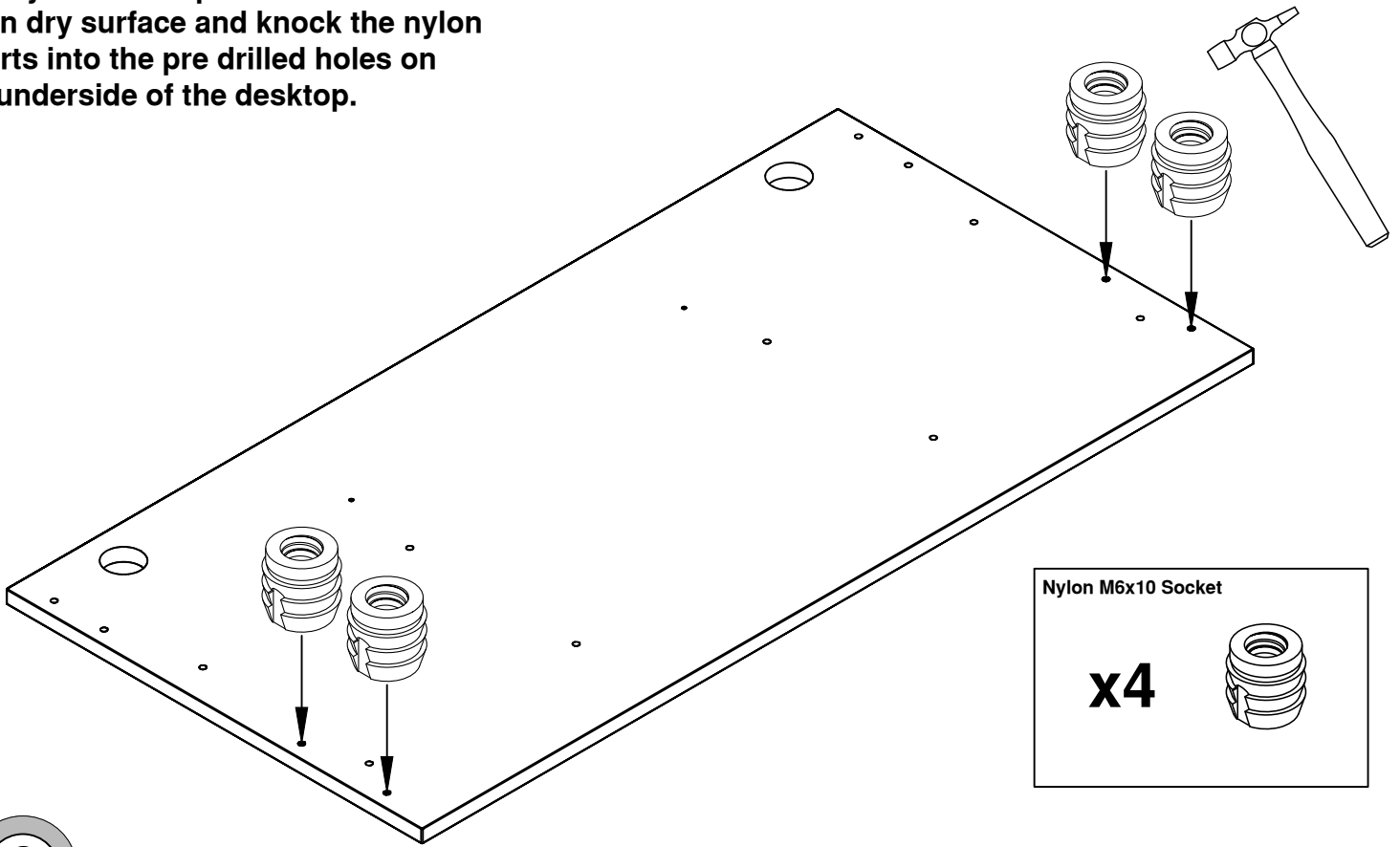
Wood Screw 8 x 43mm
RM-SCR13

x2



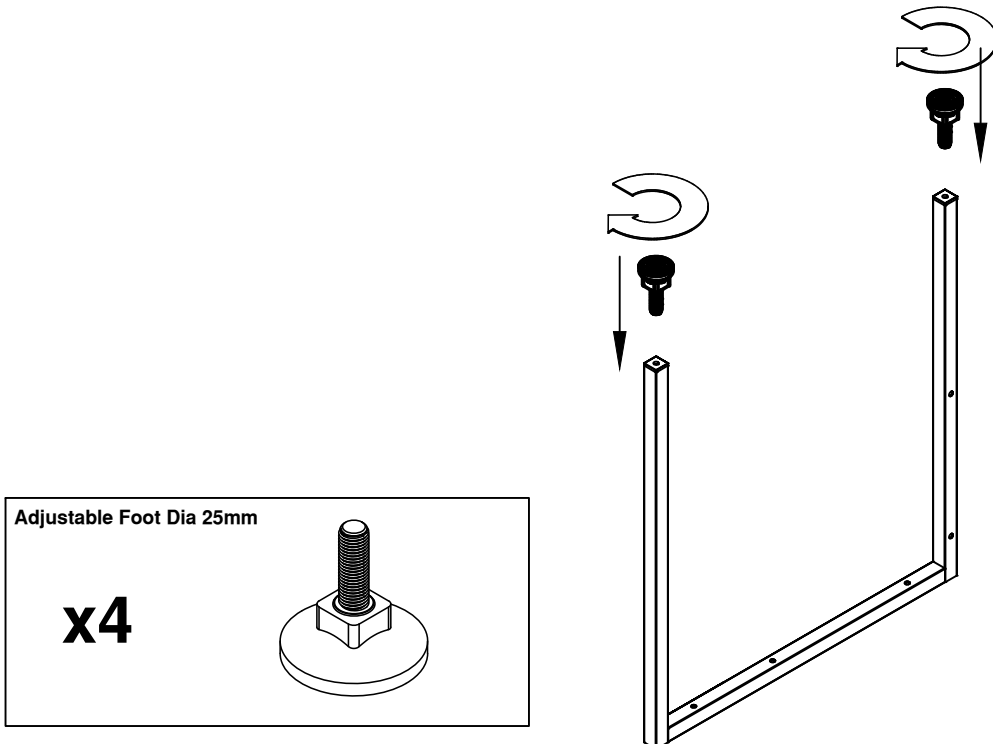
1

Step 1
Place your desktop face down onto a clean dry surface and knock the nylon inserts into the pre drilled holes on the underside of the desktop.



2

Step 2
Screw the 25mm adjustable feet into the bottom of each leg.

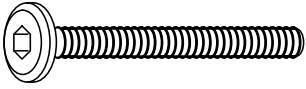


3

Step 3
Fix the leg to the desktop using the M6x50mm connect bolts. Once these bolts are tightened insert the 38mm wood screw, please note there is no pre drilled hole in the desktop for this screw.

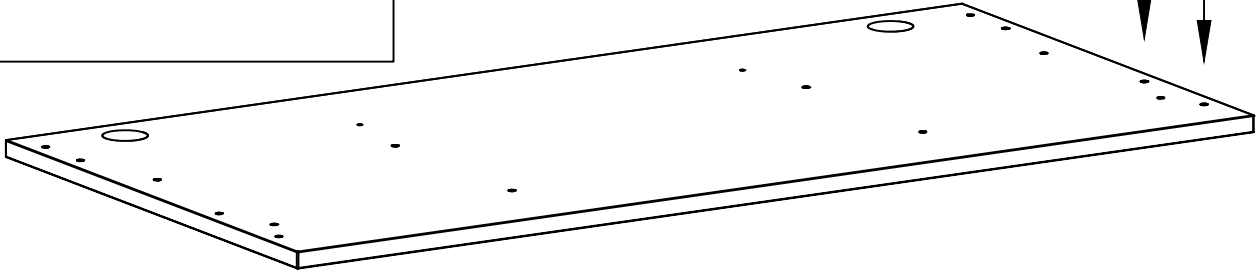
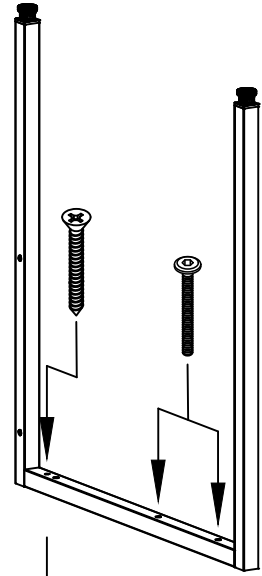
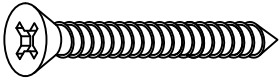
Connect Bolt M6 x 35mm

x2



Wood Screw 8 x 43mm

x1

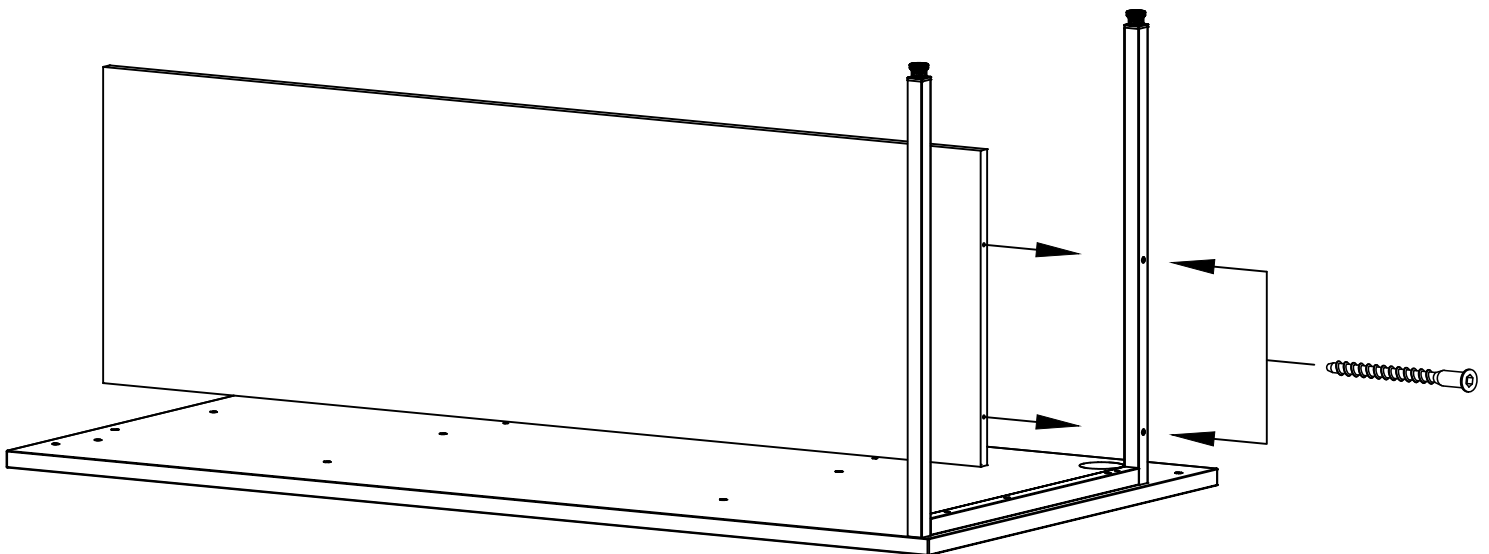
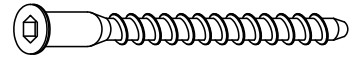


4

Step 4
Attach the leg to the modesty panel using the 70mm confirmat screws.

Confirmat Screw 70mm

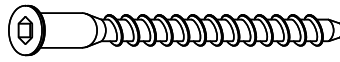
x2

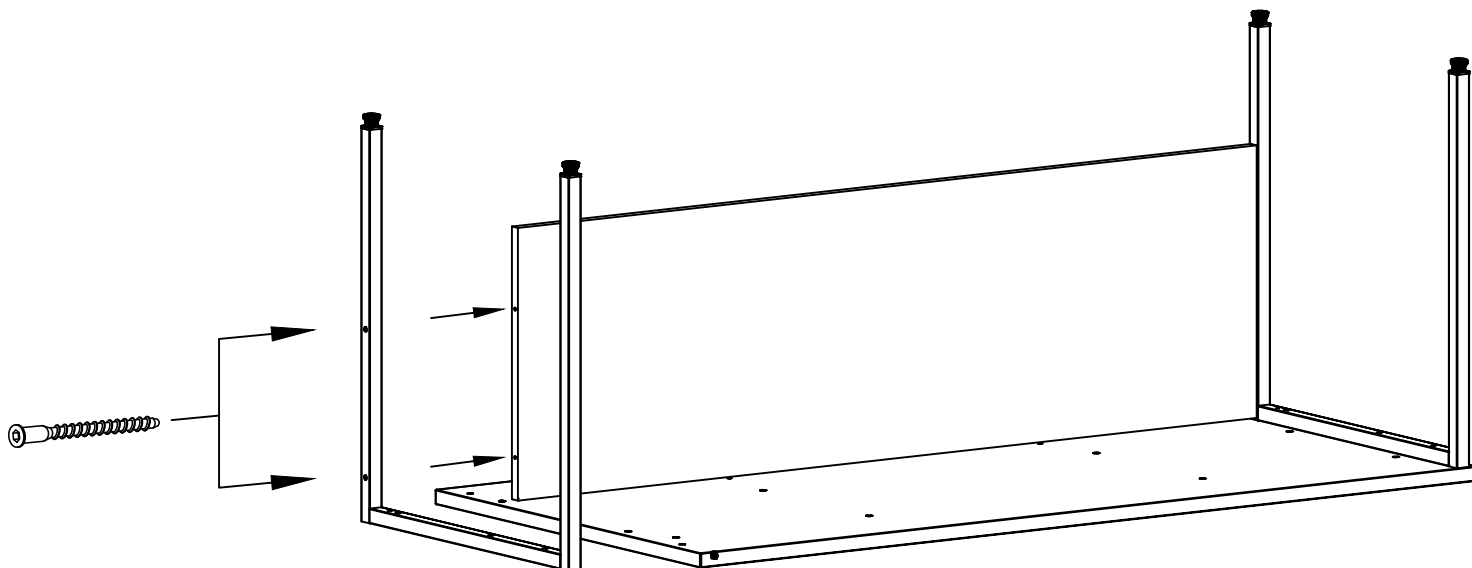


5

Step 5
Attach the leg to the
modesty panel using the
70mm confirmat screws.

Confirmat Screw 70mm (Silver)

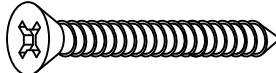
x2 



6

Step 6
Fix the leg to the desktop
using the M6x50mm
connect bolts. Once these
bolts are tightened insert
the 38mm wood screw,
please note there is no pre
drilled hole in the desktop
for this screw.

Wood Screw 8 x 43mm

x1 

Connect Bolt M6x35mm

x2 

