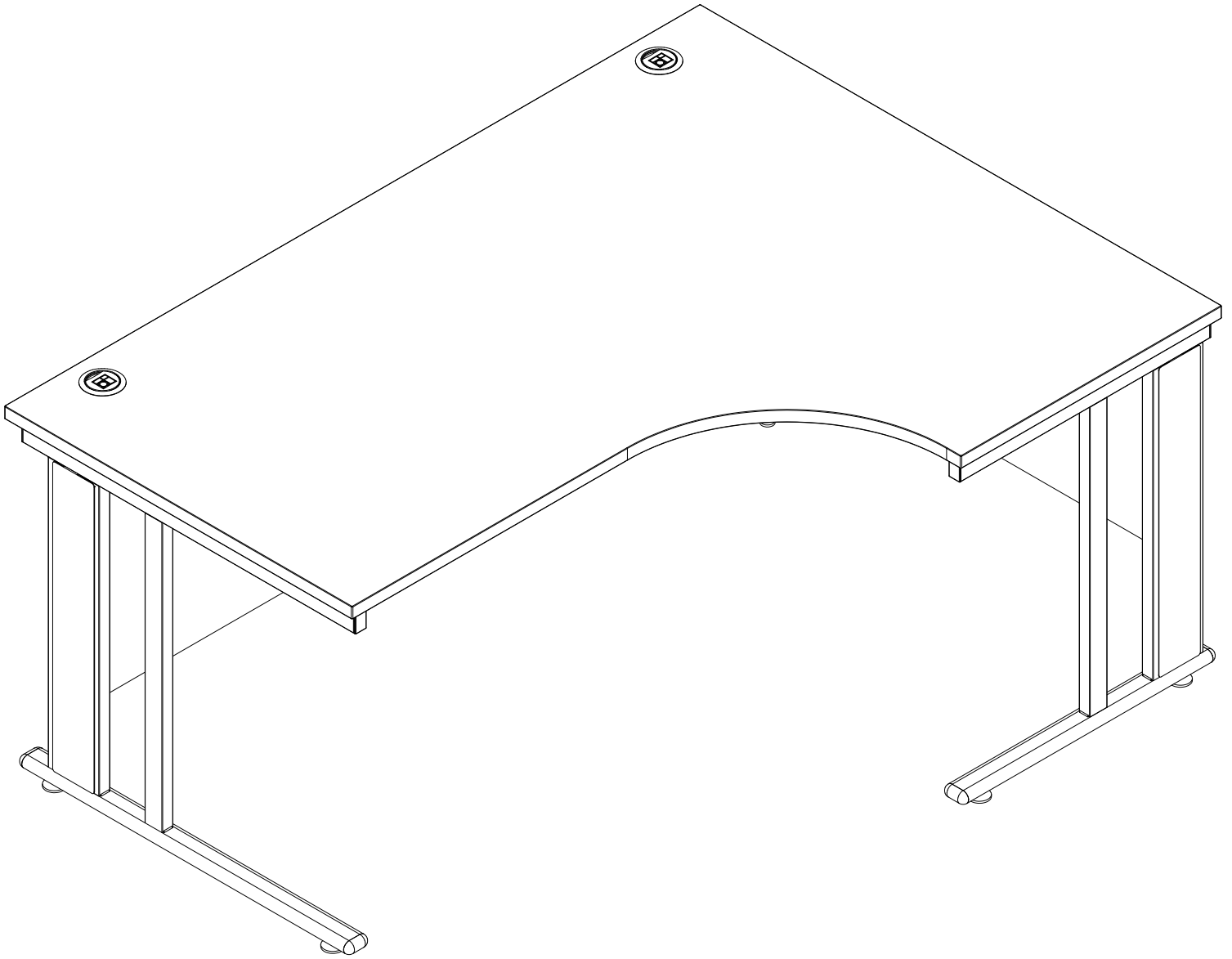
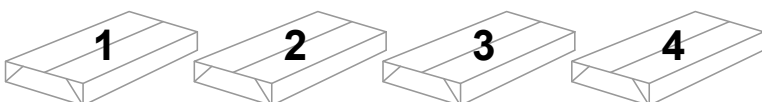


# MCM25E

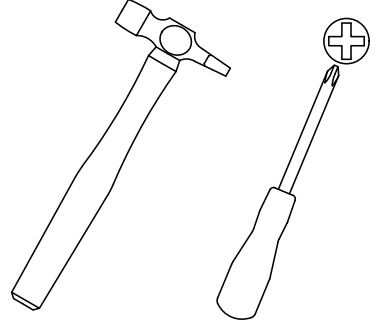
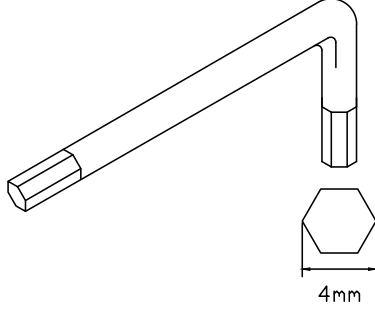
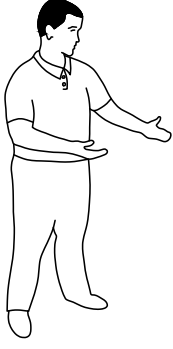
Ergonomic Cable Managed Leg Frame



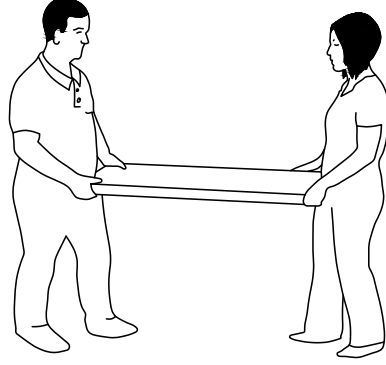
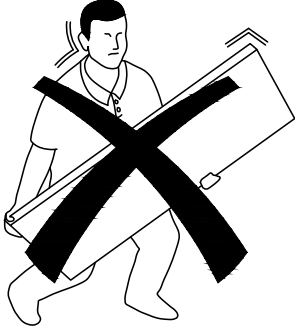
## RIGHT HAND ERGONOMIC DESK SHOWN



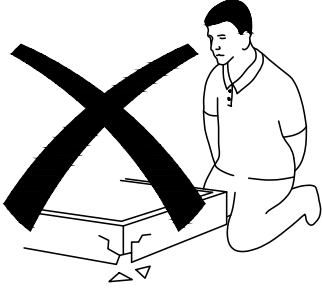
**TOOLS REQUIRED  
FOR ASSEMBLY**



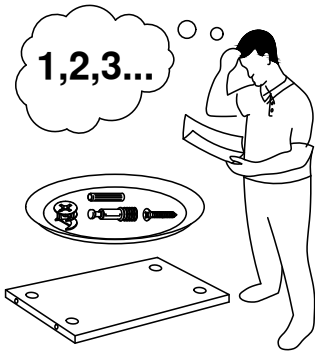
**DONT STRUGGLE  
2 MAN LIFT**



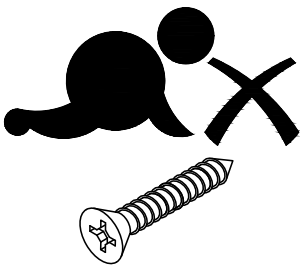
**ALWAYS HANDLE  
ITEMS WITH CARE**



**IF UNSURE CALL  
FOR ASSISTANCE**

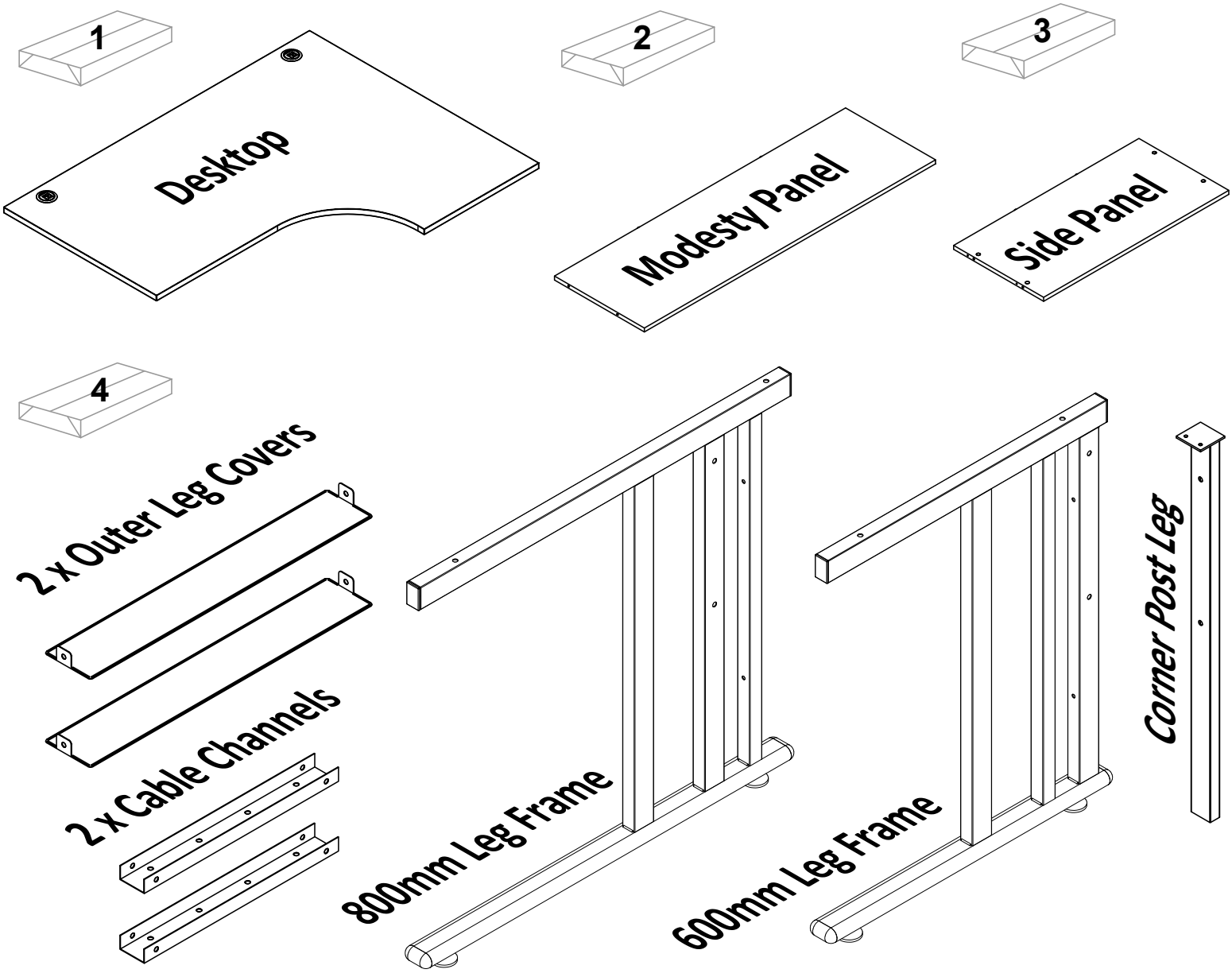


**KEEP FITTINGS AWAY  
FROM CHILDREN**

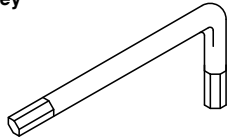
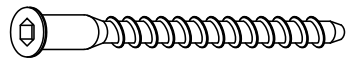
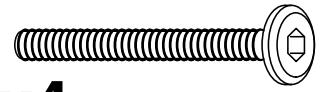
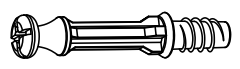

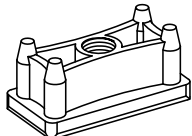
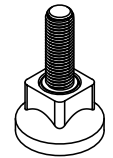



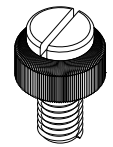
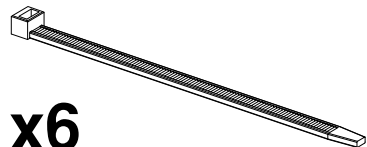




Please check that you have all the components!





Please check that you have all the hardware!

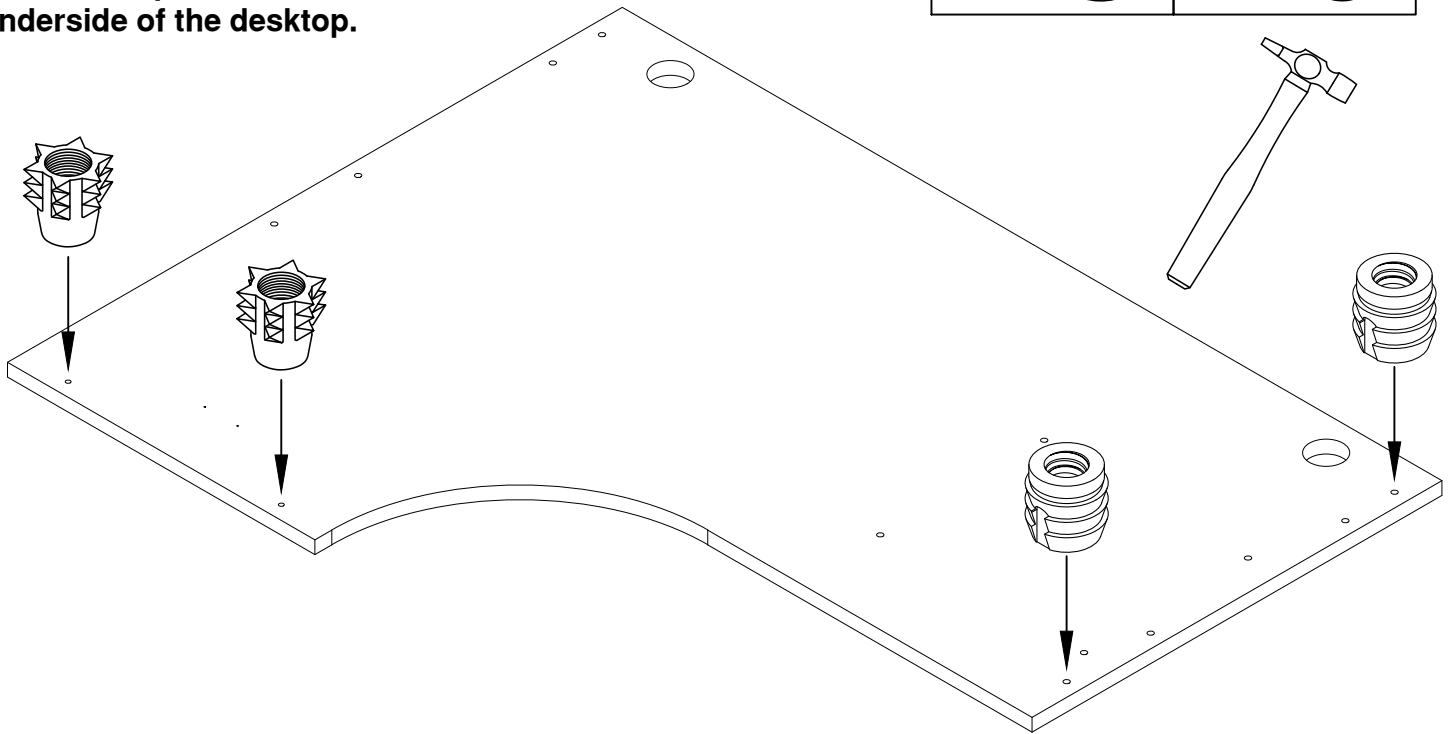
<p>4mm Allen Key RM-ALK01</p>  <p><b>x1</b></p>	<p>Confirmat Screw 70mm (Silver) RM-CFM04</p>  <p><b>x6</b></p>	<p>Connect Bolt M6x50mm RM-BLT05</p>  <p><b>x4</b></p>	<p>24mm Woodfix Pin RM-PIN04</p>  <p><b>x2</b></p>
<p>15mm Minifix Cam RM-CAM03</p>  <p><b>x2</b></p>	<p>40x20mm M8 Threaded Ferrule RM-FRL10</p>  <p><b>x1</b></p>	<p>Adjustable Foot Dia 38mm RM-FRL20</p>  <p><b>x5</b></p>	<p>4x20mm Wood Screw RM-SCR37</p>  <p><b>x1</b></p>
<p>Nylon M6x10 Socket RM-PAR05</p>  <p><b>x2</b></p>	<p>M6 Brass Insert RM-PAR03</p>  <p><b>x2</b></p>	<p>M6x10mm Thumbscrew</p>  <p><b>x11</b></p>	<p>Cable Tie</p>  <p><b>x6</b></p>

1

**Step 1**

Place your desktop face down onto a clean dry surface and knock in the inserts into the pre drilled holes on the underside of the desktop.

Nylon M6x10 Socket RM-PAR05	M6 Brass Insert RM-PAR03
<b>x2</b> 	<b>x2</b> 



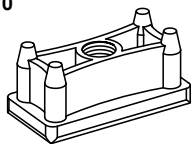
2

**Step 2**

Screw the 25mm adjustable feet into the bottom of both leg frames. Insert the tapped ferrule into the corner post leg before screwing in the 25mm adjustable foot.

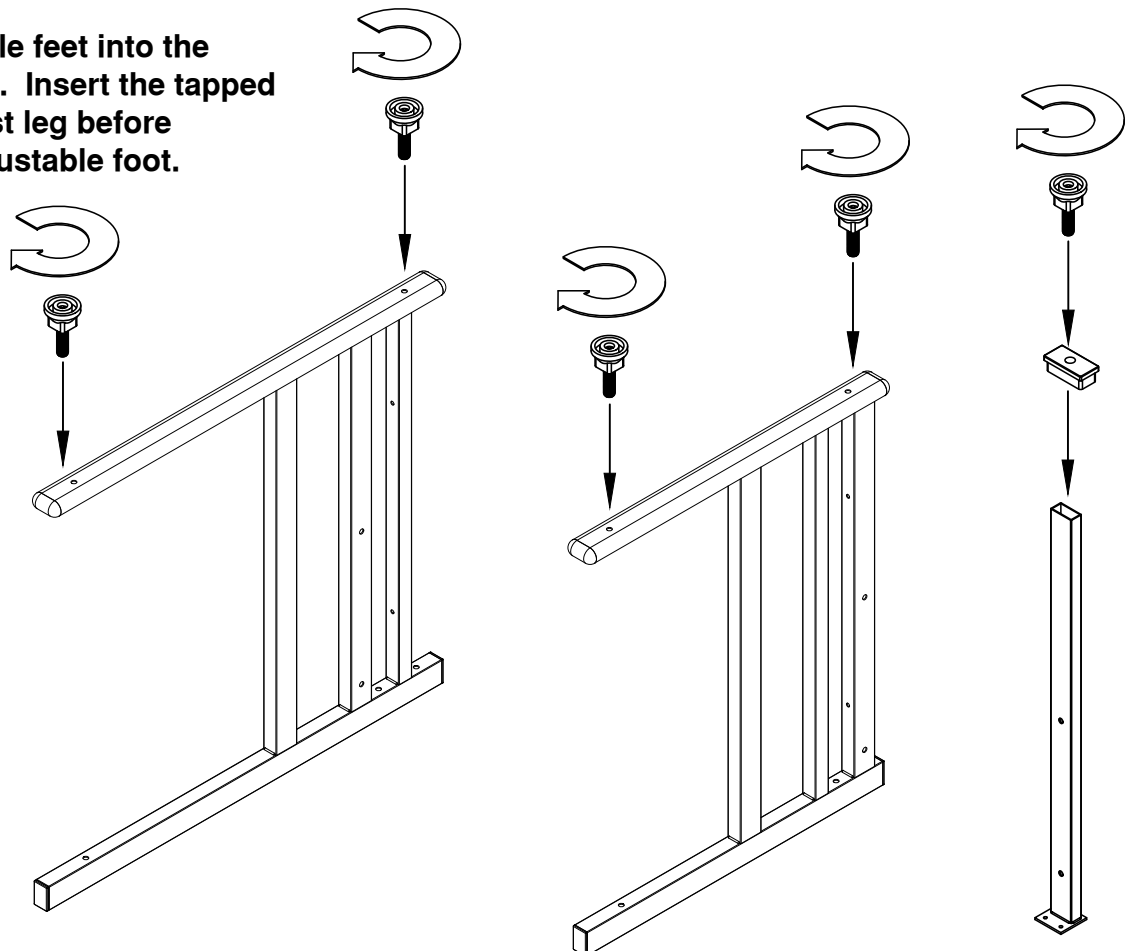
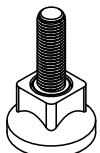
40x20mm M8 Threaded Ferrule  
RM-FRL10

**x1**



Adjustable Foot Dia 38mm  
RM-FRL20

**x5**

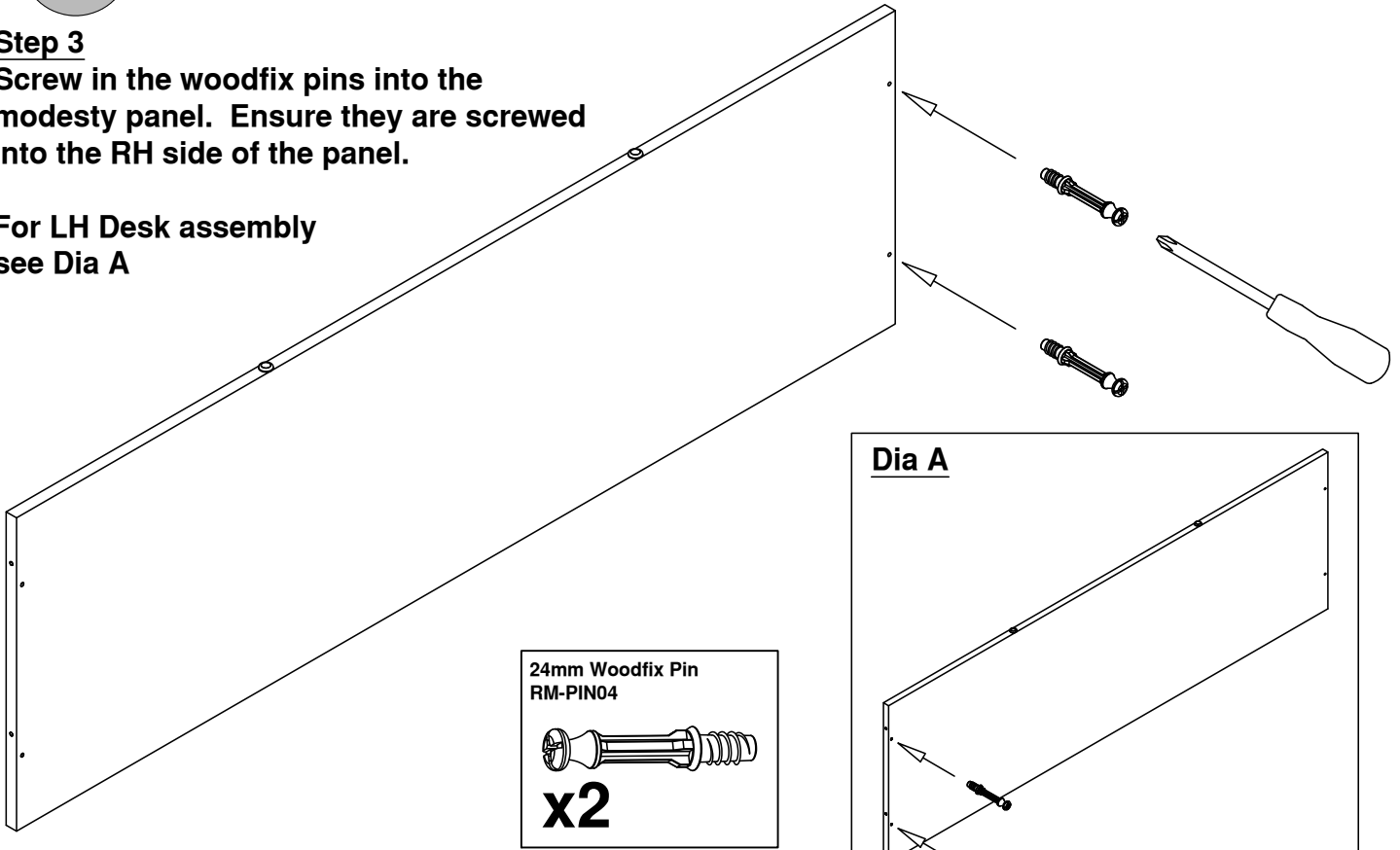


3

**Step 3**

Screw in the woodfix pins into the modesty panel. Ensure they are screwed into the RH side of the panel.

For LH Desk assembly see Dia A



**Dia A**

24mm Woodfix Pin  
RM-PIN04



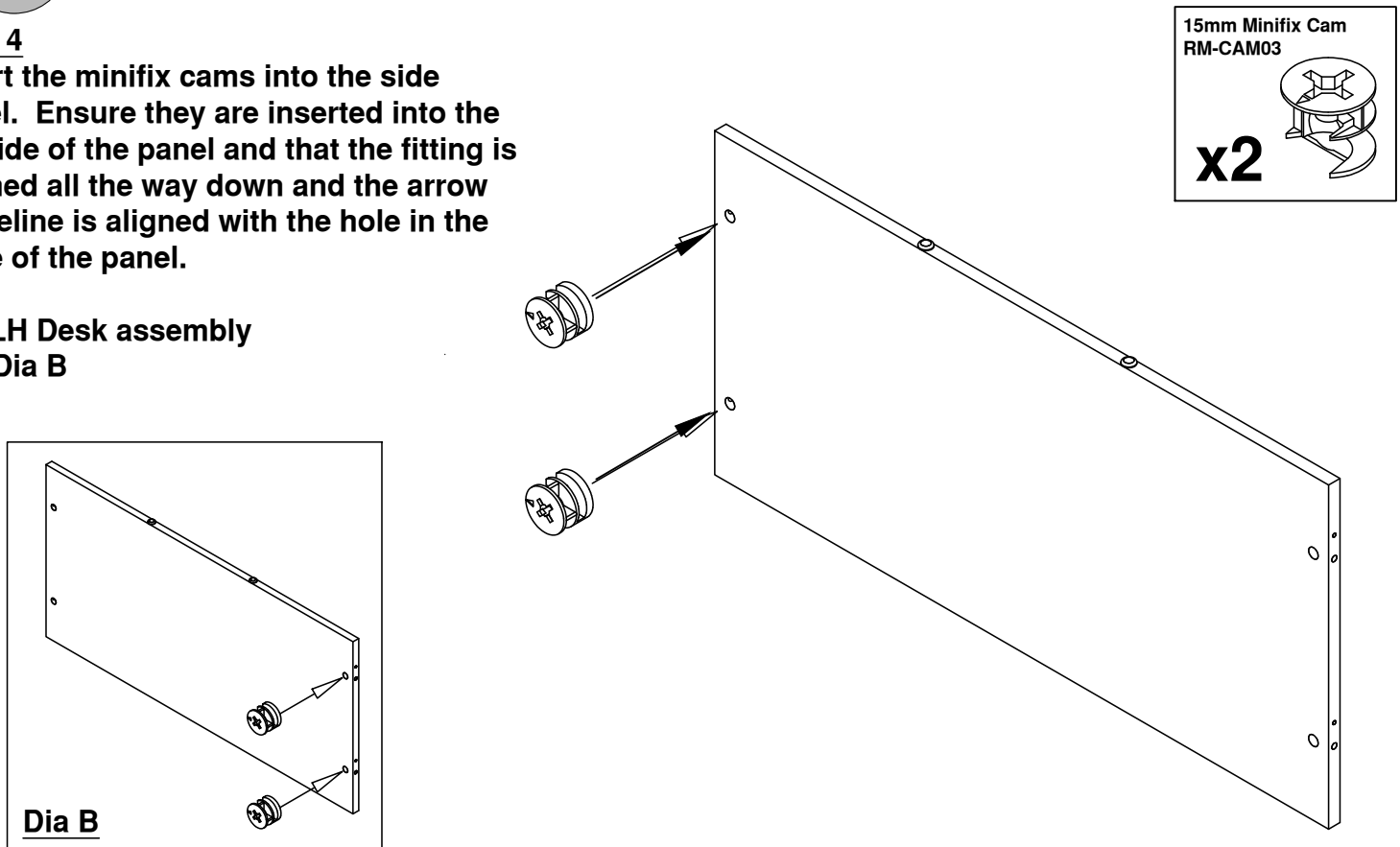
**x2**

4

**Step 4**

Insert the minifix cams into the side panel. Ensure they are inserted into the LH side of the panel and that the fitting is pushed all the way down and the arrow guideline is aligned with the hole in the edge of the panel.

For LH Desk assembly see Dia B



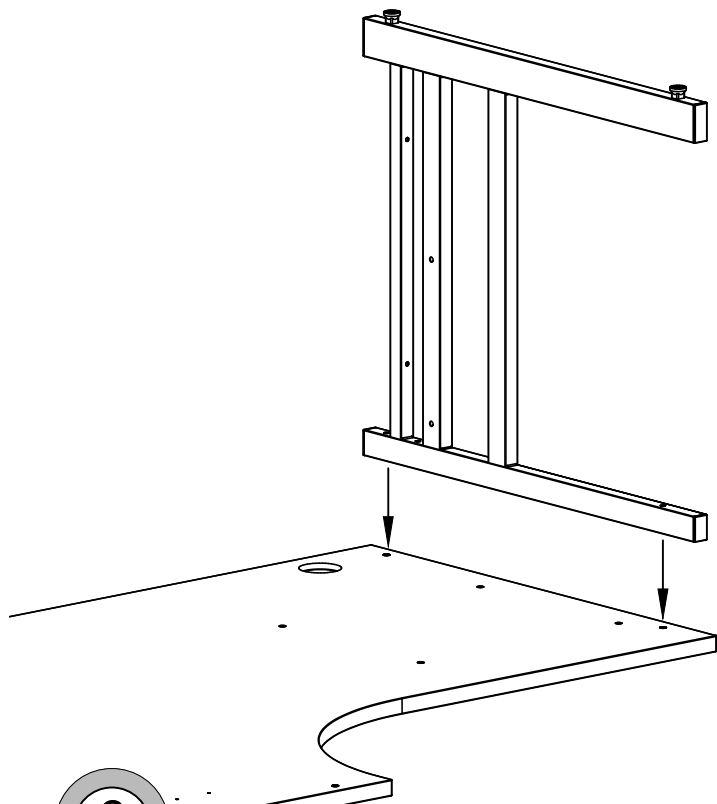
15mm Minifix Cam  
RM-CAM03

**x2**

**Dia B**

5

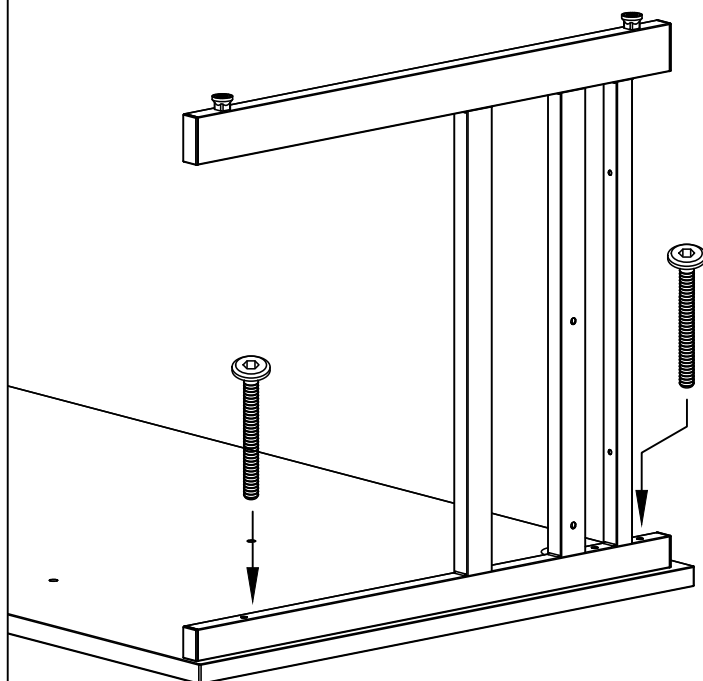
**Step 5**  
Attach the 800mm leg to the desktop using the M6x50mm connect bolts.



Connect Bolt M6x50mm  
RM-BLT05

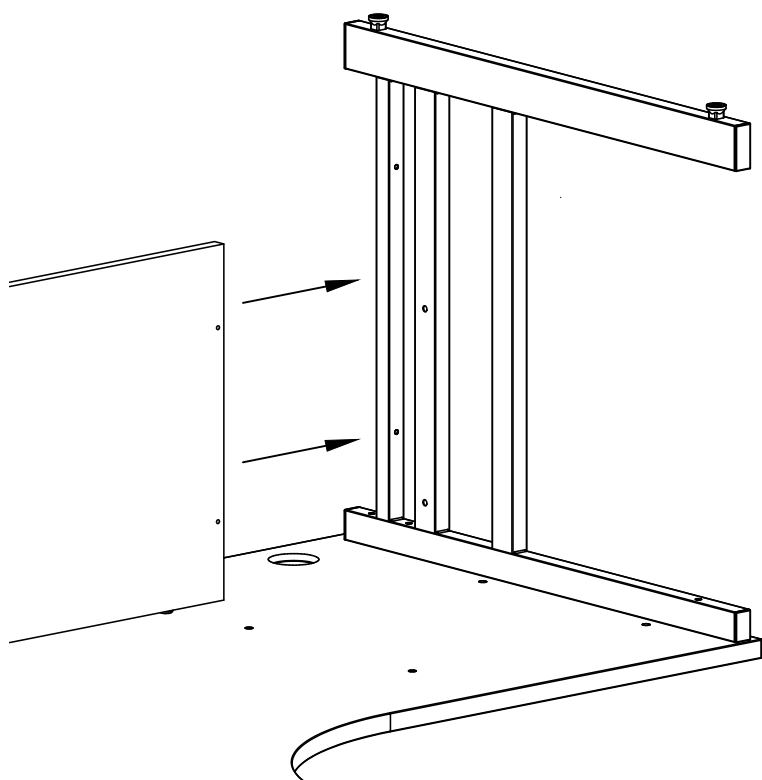


x2

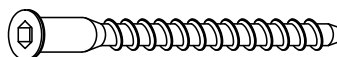


6

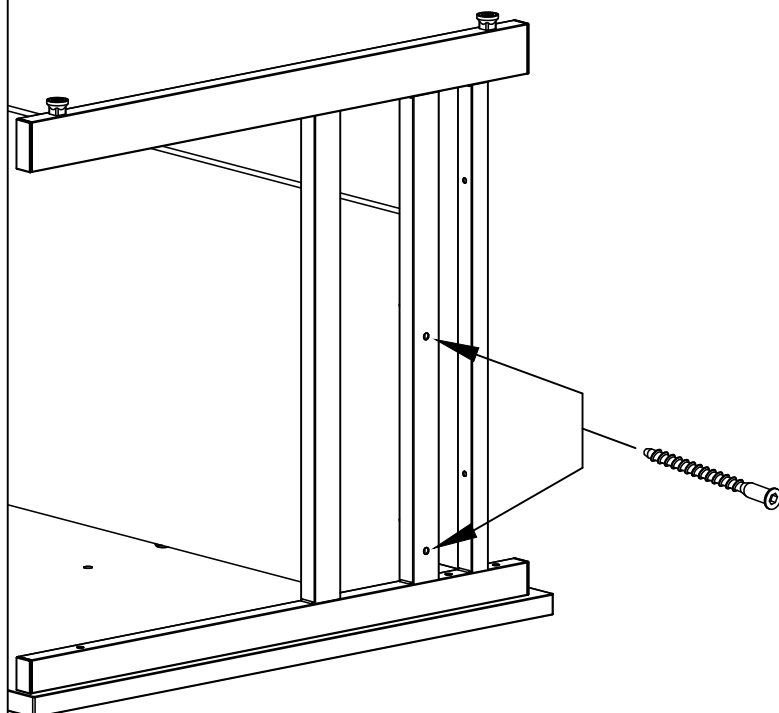
**Step 6**  
Attach the modesty panel to the leg using the 70mm confirmat screws.



Confirmat Screw 70mm (Silver)  
RM-CFM04



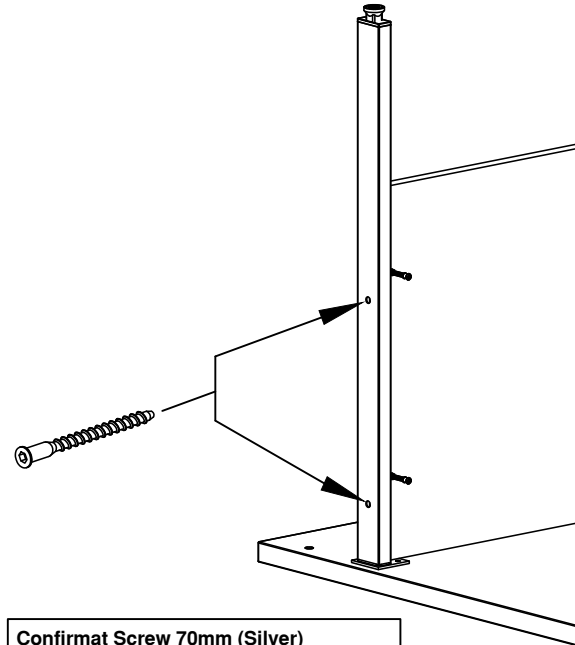
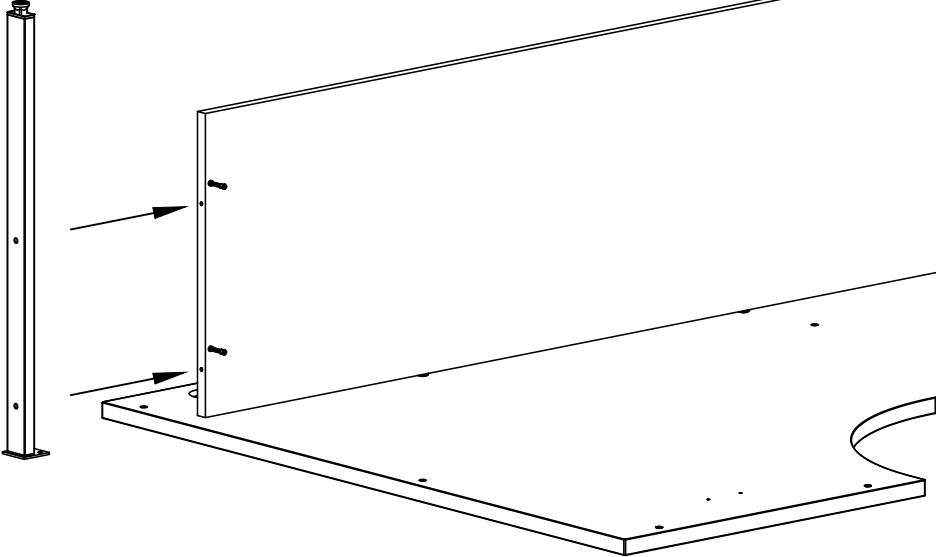
x2



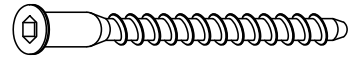
7

**Step 7**

Line the corner post leg up with the modesty panel ensuring the pre drilled holes are aligned. Attach the leg to the modesty panel using the 70mm confirmat screws.



Confirmat Screw 70mm (Silver)  
RM-CFM04

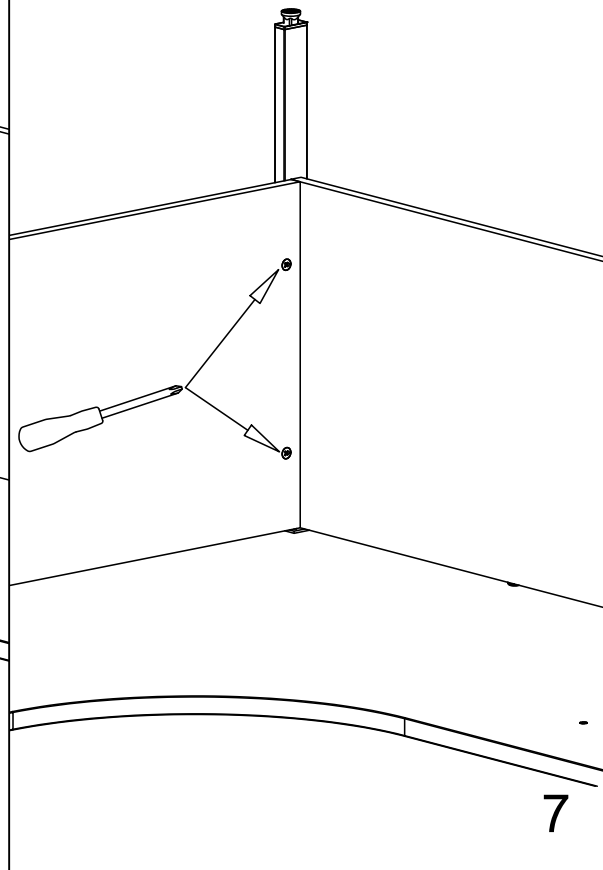
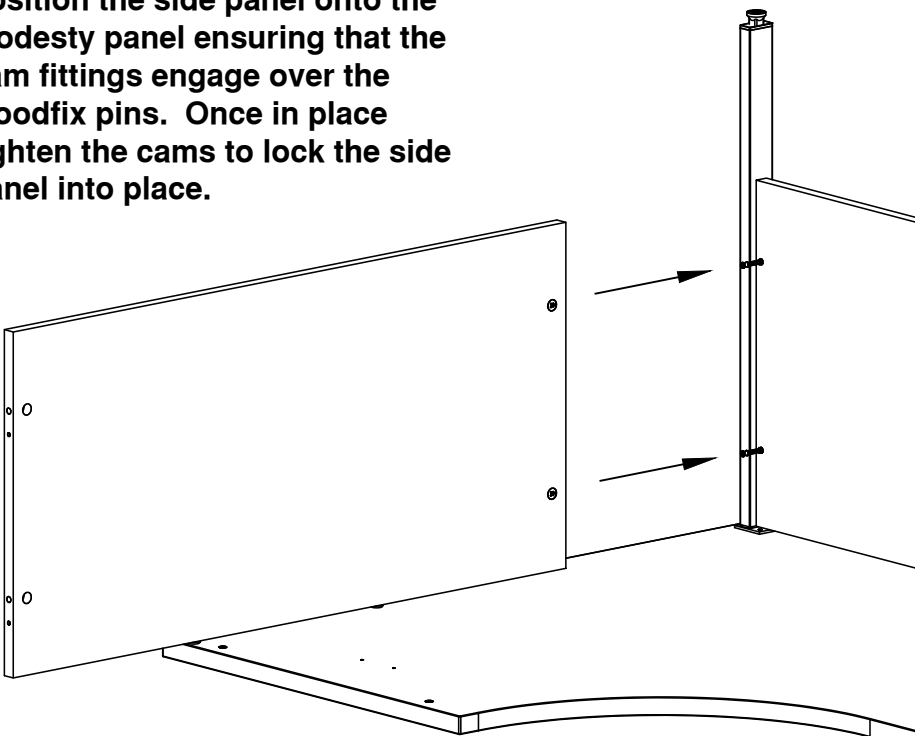


**x2**

8

**Step 8**

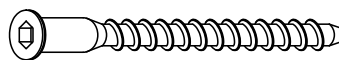
Position the side panel onto the modesty panel ensuring that the cam fittings engage over the woodfix pins. Once in place tighten the cams to lock the side panel into place.



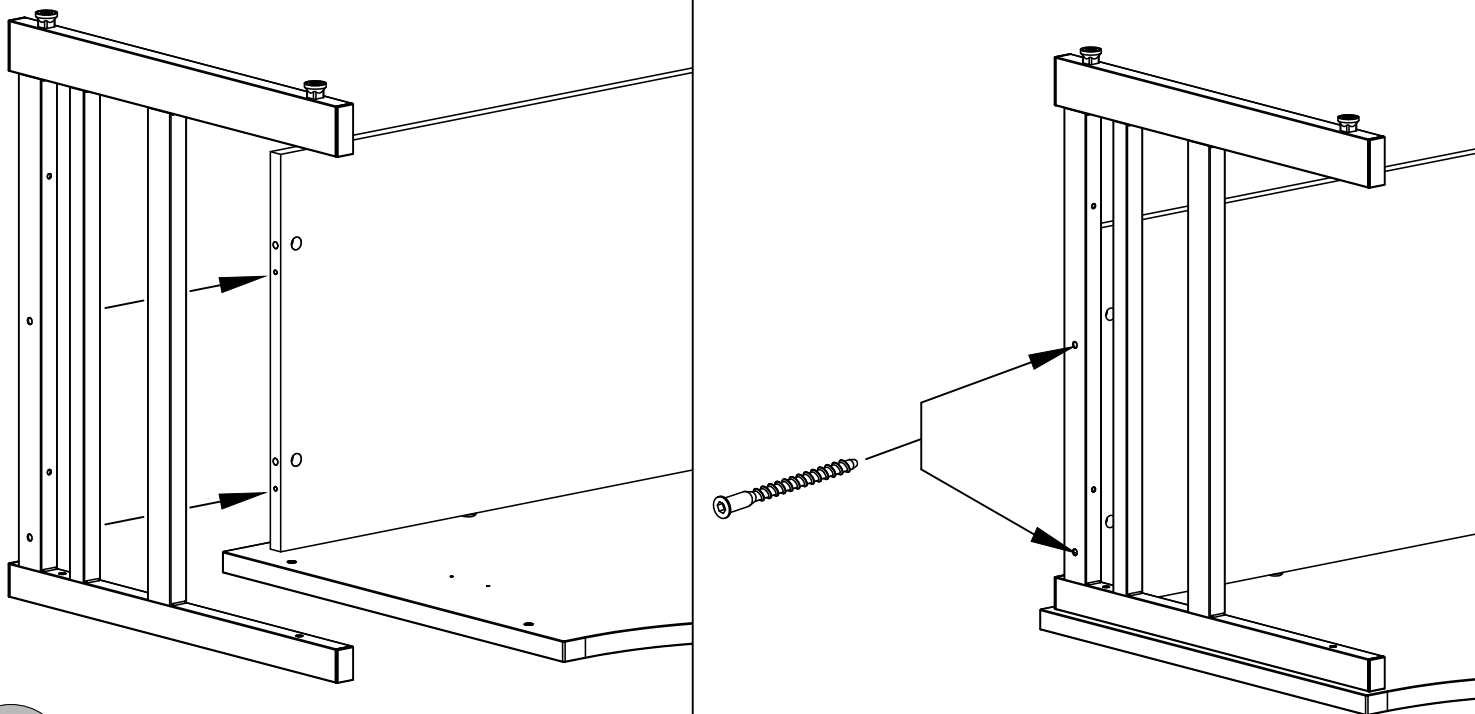
9

**Step 9**  
Place the 600mm leg frame onto the desktop and attach to the modesty panel using the 70mm confirmat screws.

Confirmat Screw 70mm (Silver)  
RM-CFM04

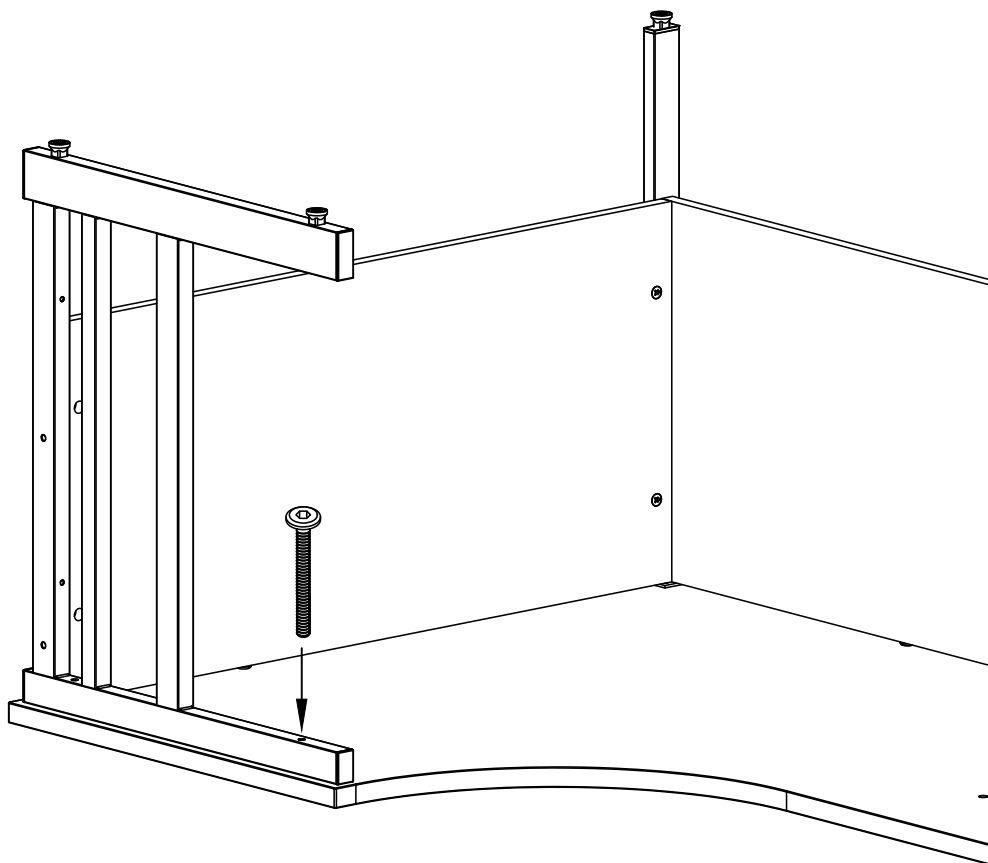


x2



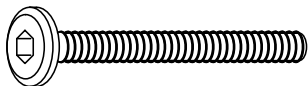
10

**Step 10**  
Fix the 600mm leg frame to the desktop using the M6x50mm connect bolt, do not insert the rear fixing at this point, this is inserted during the final step of installation.



Connect Bolt M6x50mm  
RM-BLT05

x1



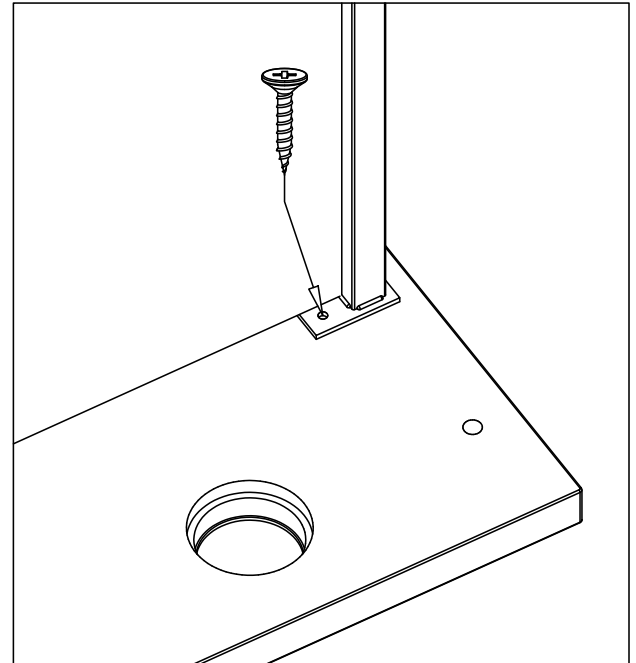
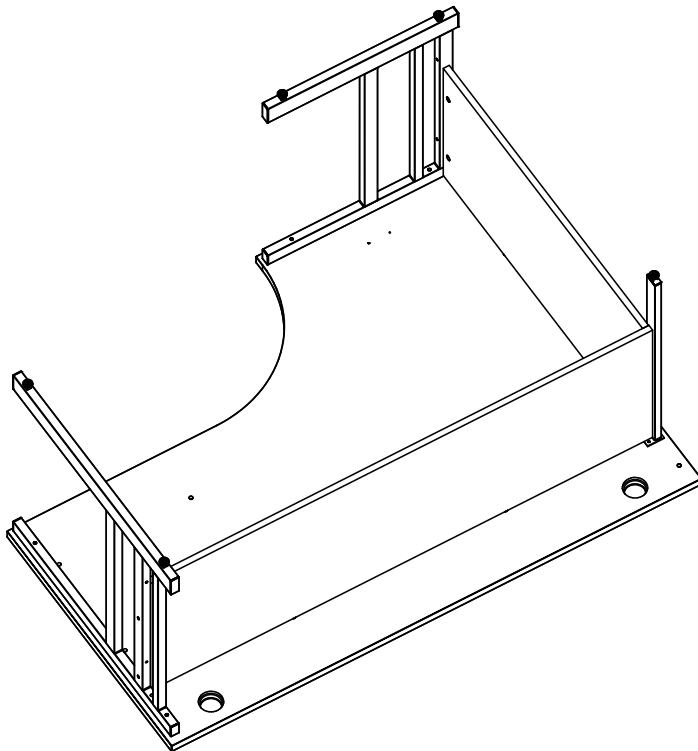


11

**Step 11**  
Fix the corner post leg to the desktop using the 20mm wood screw.

4x20mm Wood Screw  
RM-SCR37

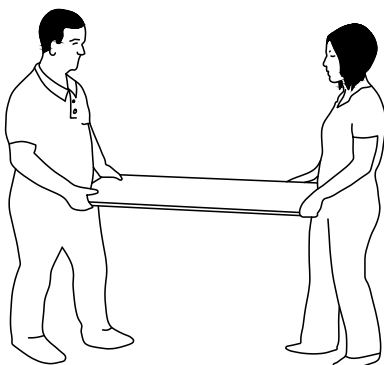
x1



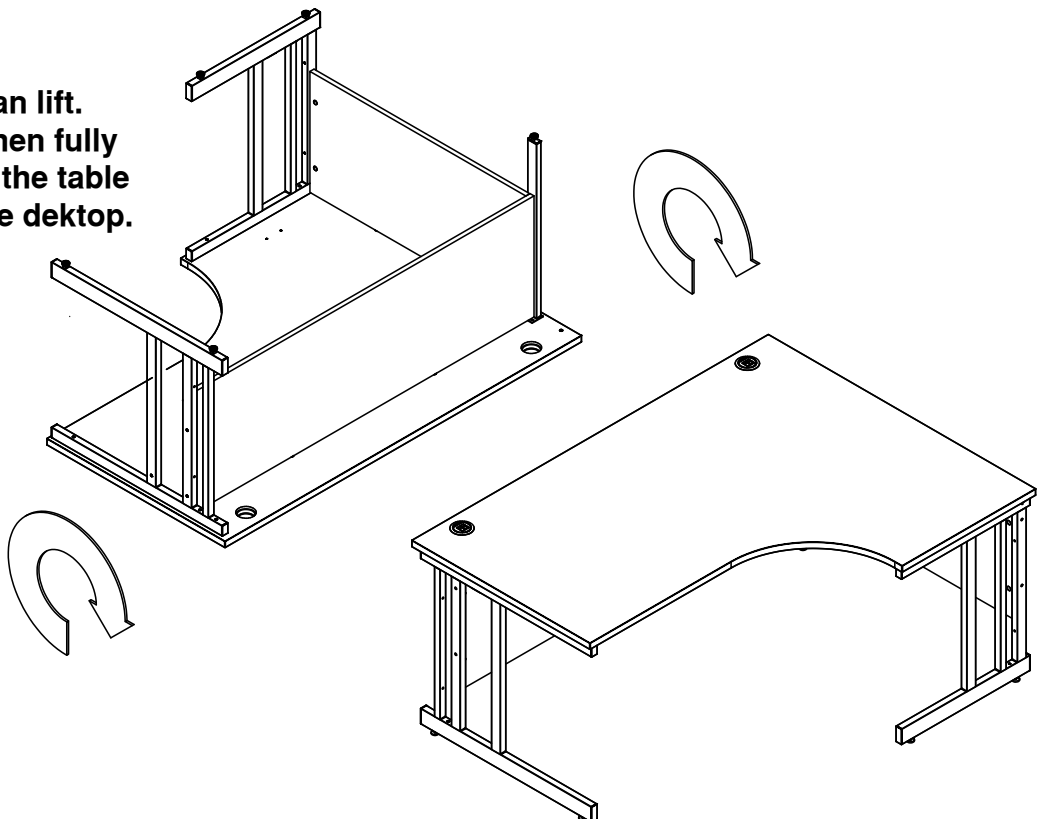
12

**Step 12**  
Lift and turn your desk upright.

Please note this requires a 2 man lift.  
The desk is extremely heavy when fully assembled, always ensure that the table is lifted by the frame and not the desktop.



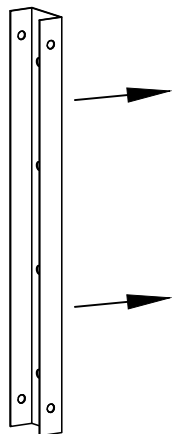
**2 Man Lift Required**



13

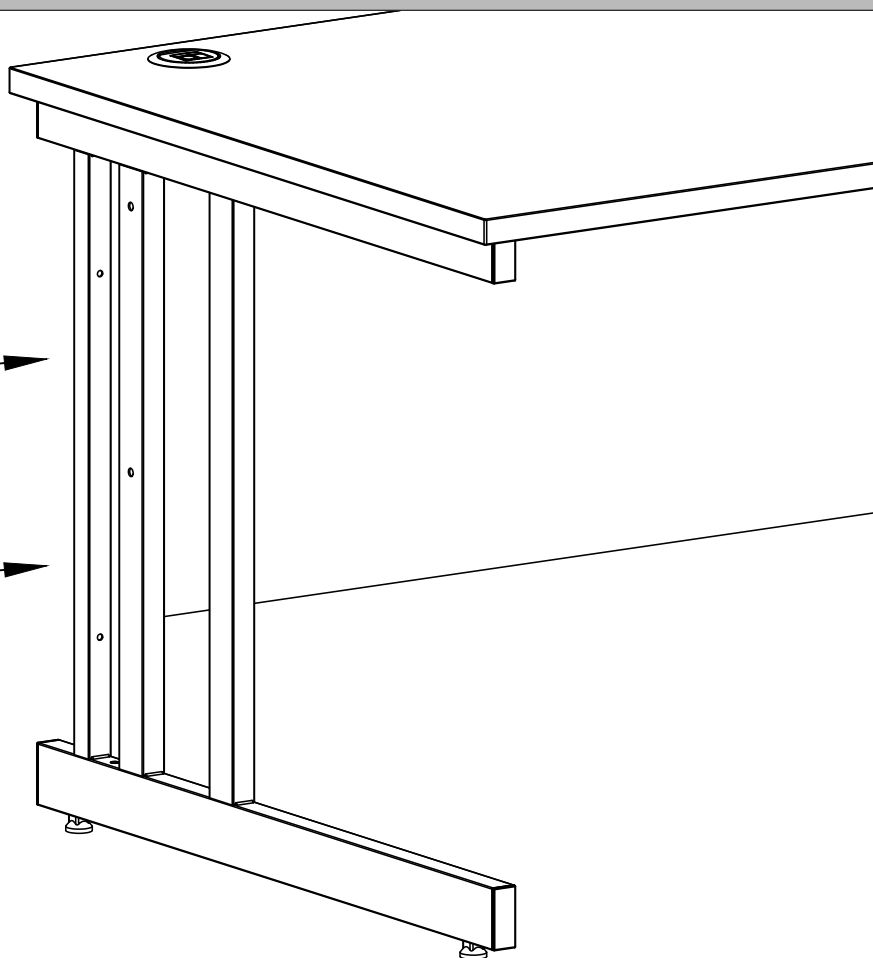
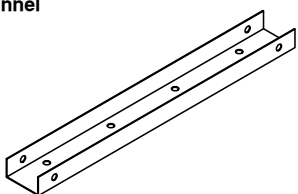
**Step 13**  
Insert the cable channel into the opening between the uprights.

Repeat this step for both legs.



Cable Channel

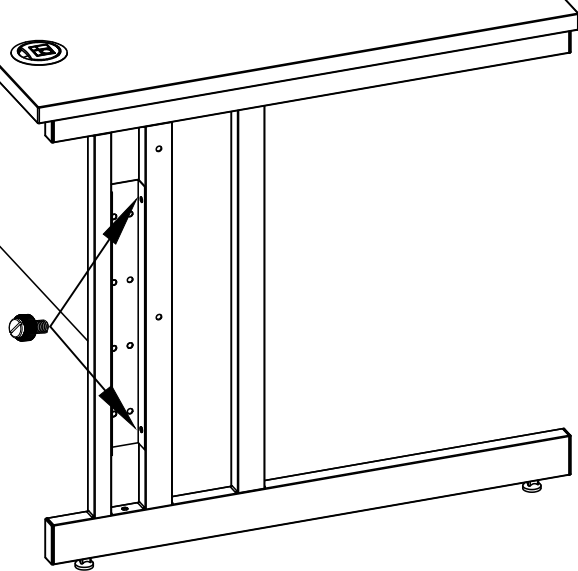
x2



14

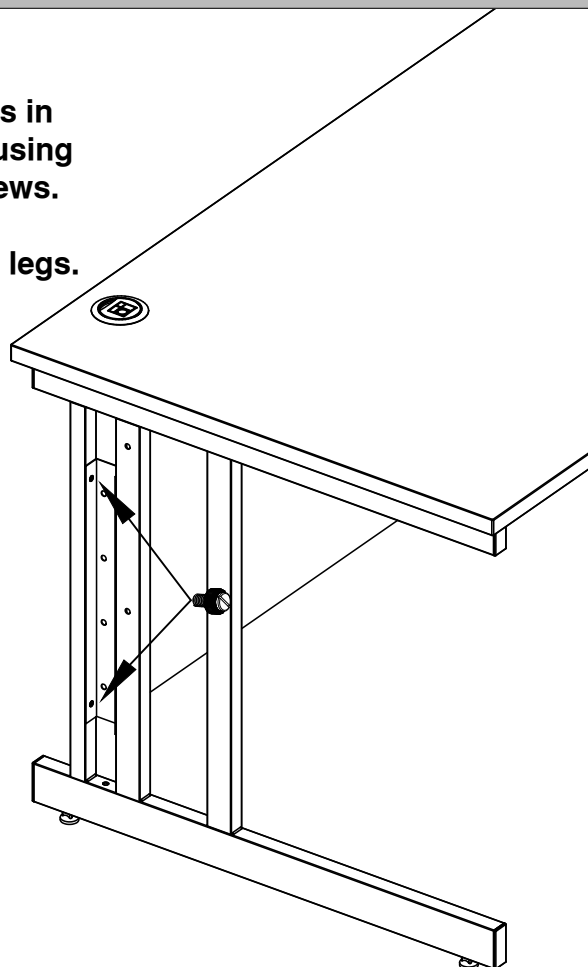
**Step 14**  
Once the cable channel is in place fix it into position using the M6x10mm thumbscrews.

Repeat this step for both legs.



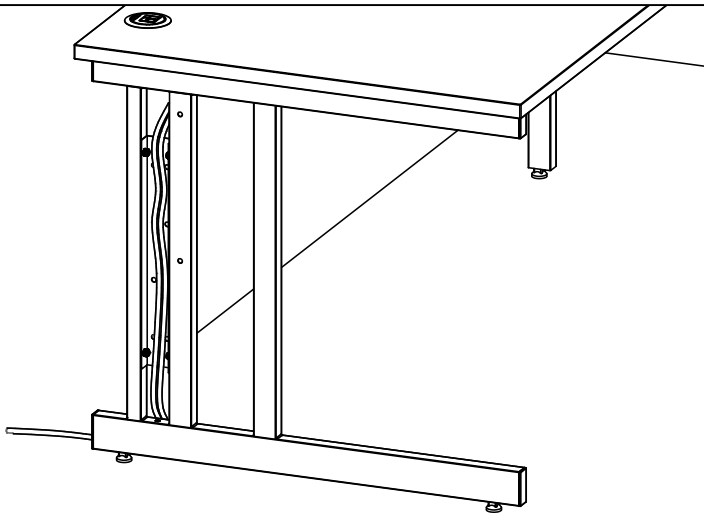
M6x10mm Thumbscrew

x8



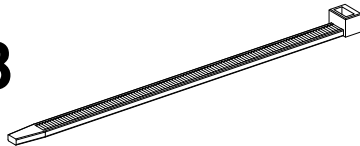
15

**Step 15**  
Feed any cables up through the cable channel from the inside of the leg. If needed use the cable ties to fasten them to the cable channel.



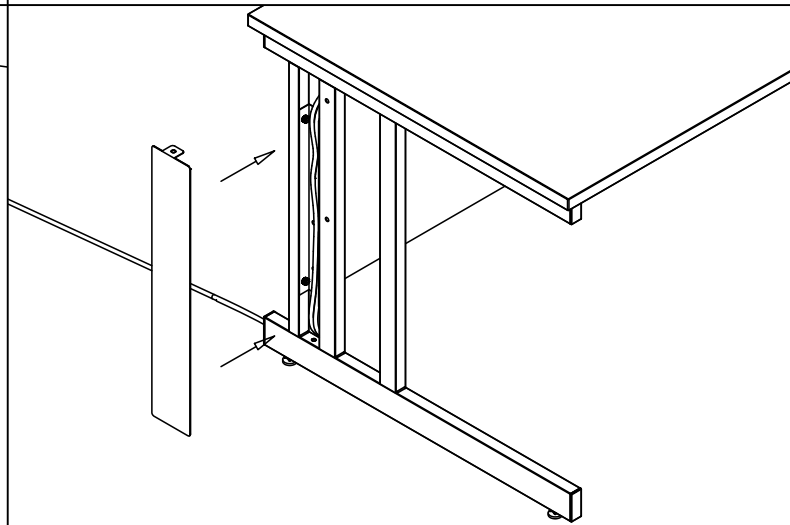
Cable Tie

x3



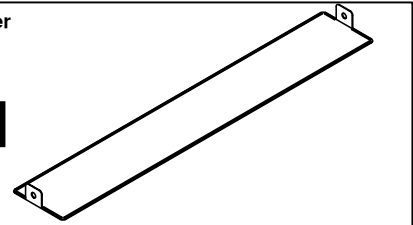
16

**Step 16**  
Insert the cable cover into the opening between the uprights.



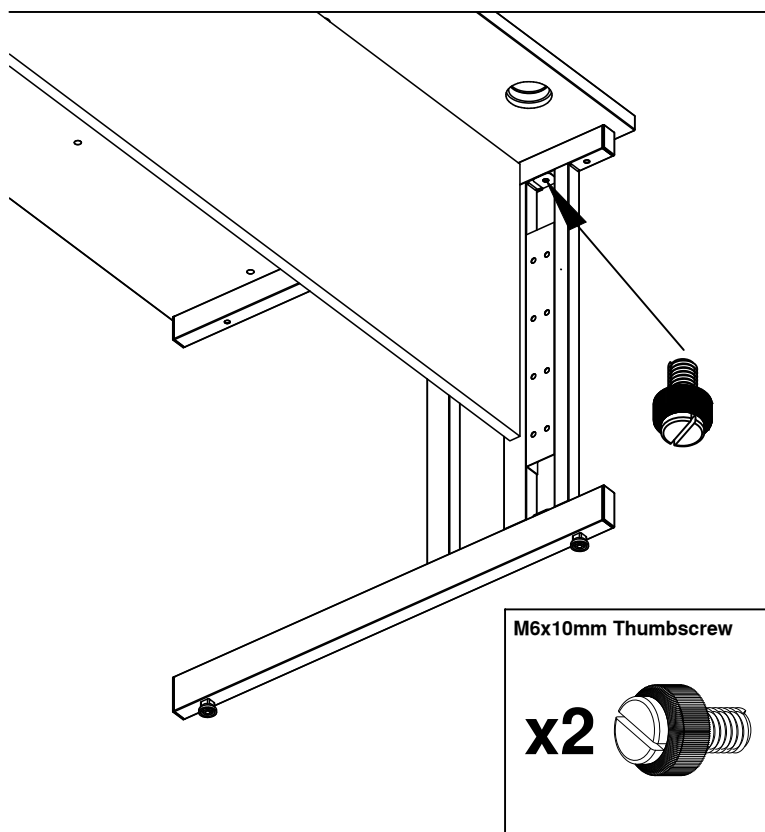
Cable Cover

x1



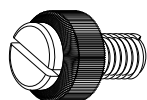
17

**Step 17**  
Attach the cable covers to the 800mm leg frame using the M6x10mm thumbscrews.



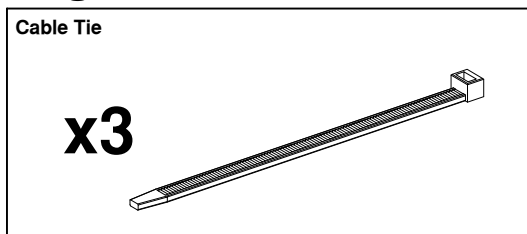
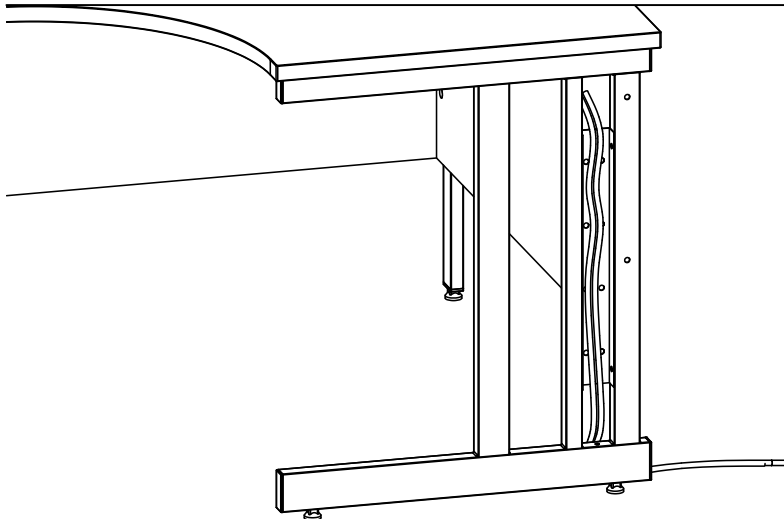
M6x10mm Thumbscrew

x2



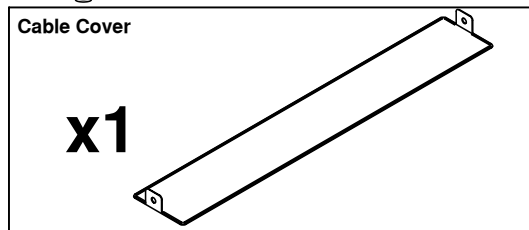
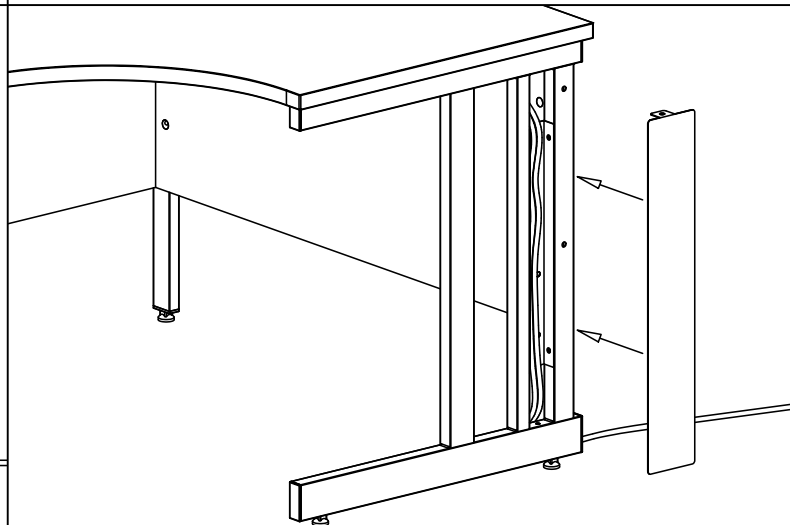
18

**Step 18**  
Feed any cables up through the cable channel from the inside of the leg. If needed use the cable ties to fasten them to the cable channel.



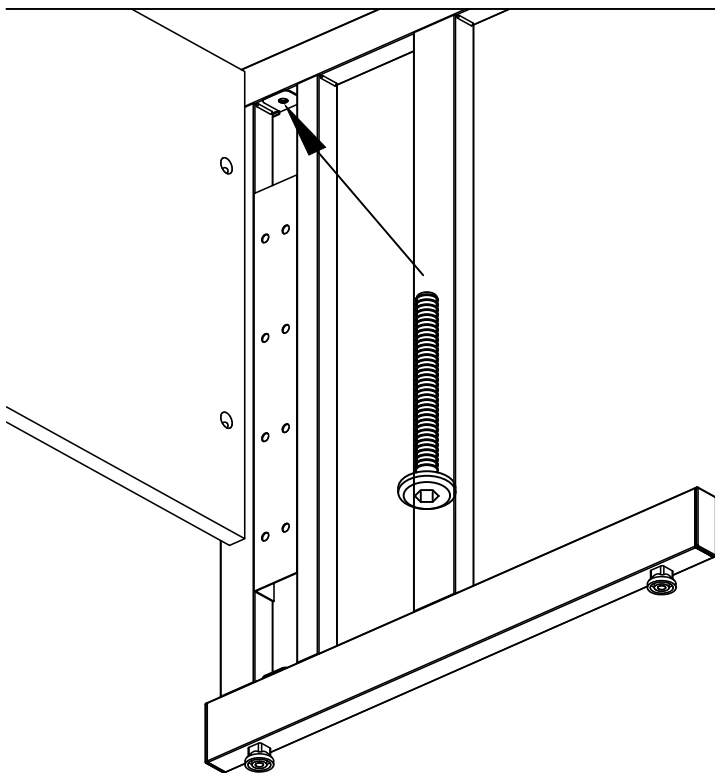
19

**Step 19**  
Insert the cable cover into the opening between the uprights.



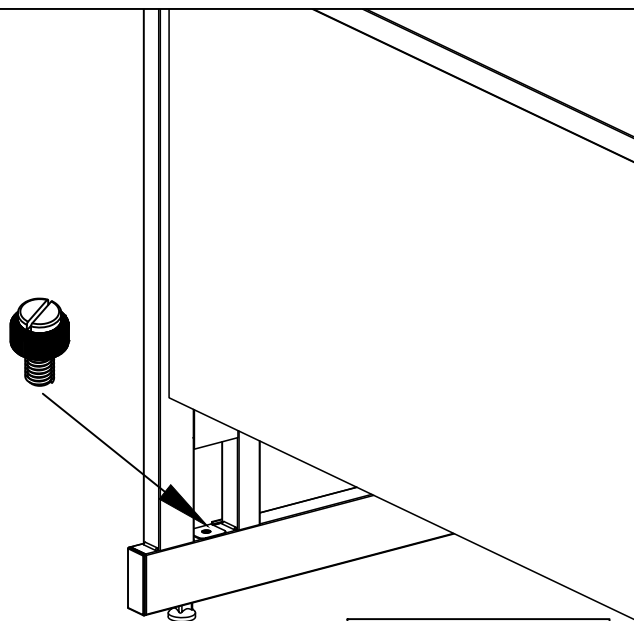
20

**Step 20**  
Attach the cable cover using the M6x50mm connect bolt, this bolt should pass through the leg and fix directly into the threaded insert in the desktop.



21

**Step 21**  
Attach the cable cover using the M6x10mm thumbscrew.



M6x10mm Thumbscrew

**x4**

