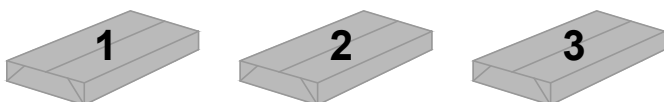
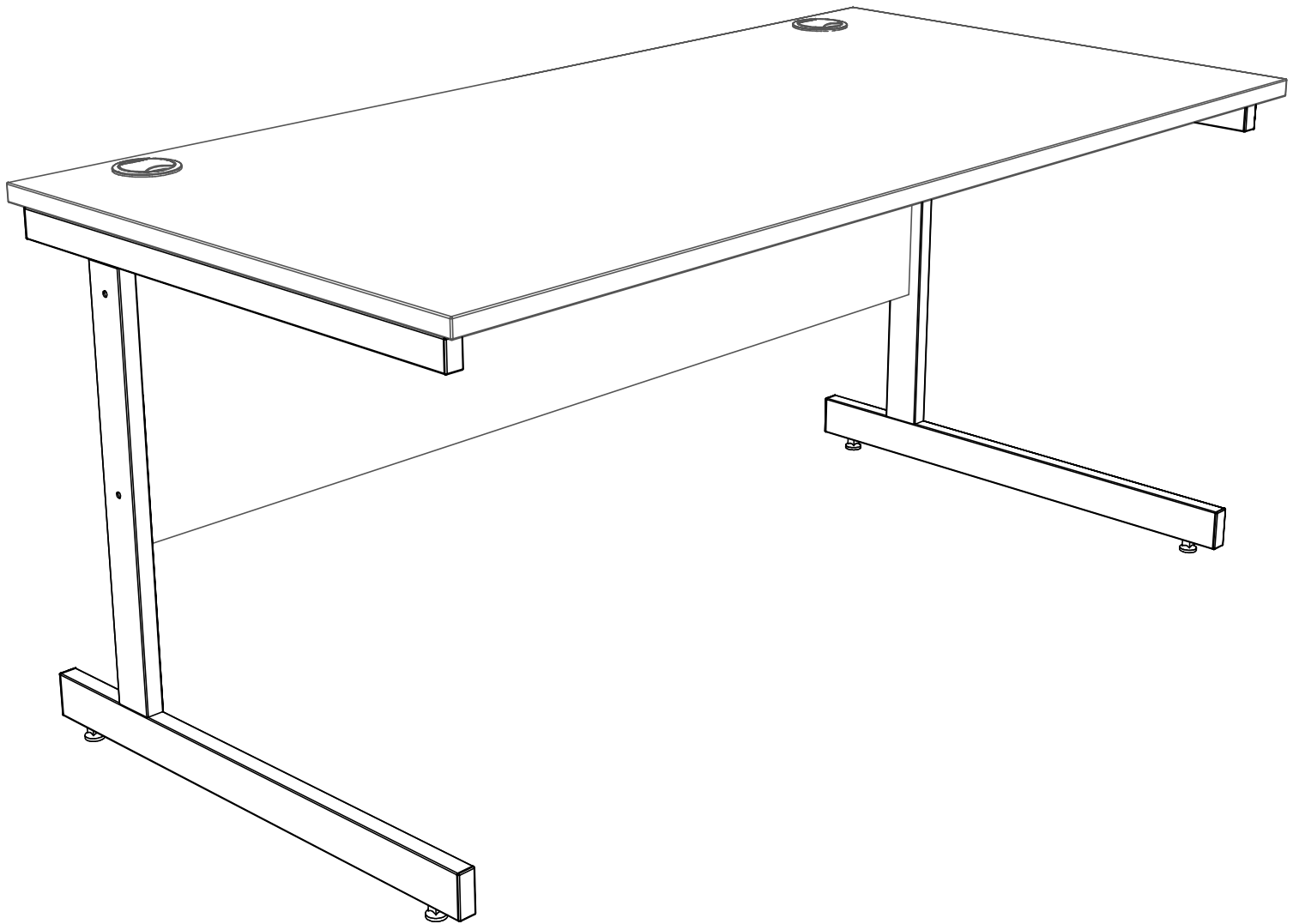
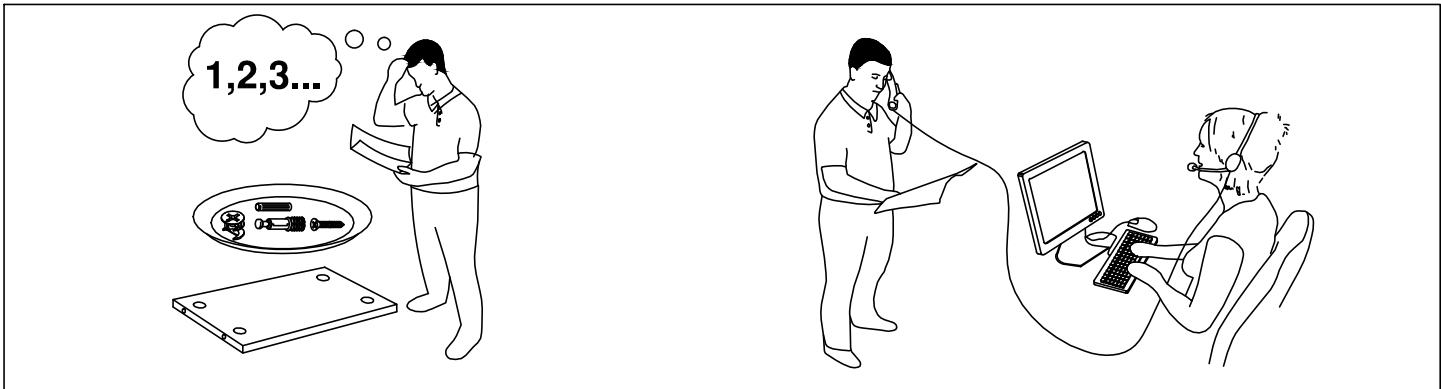
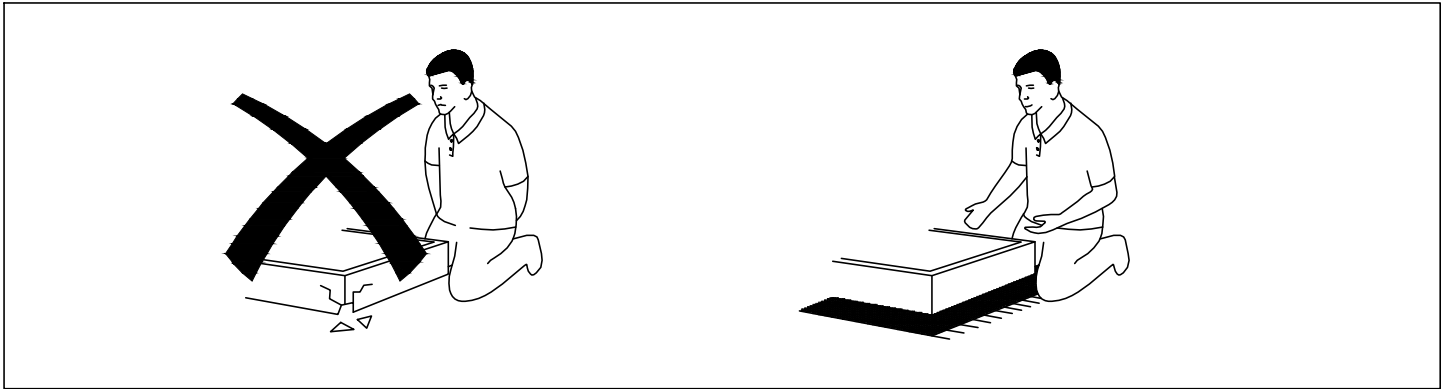
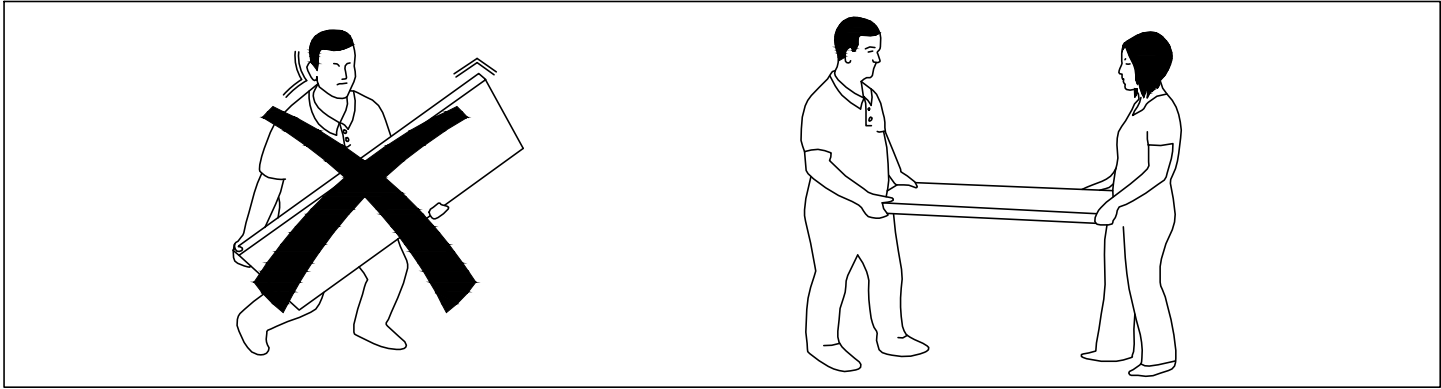
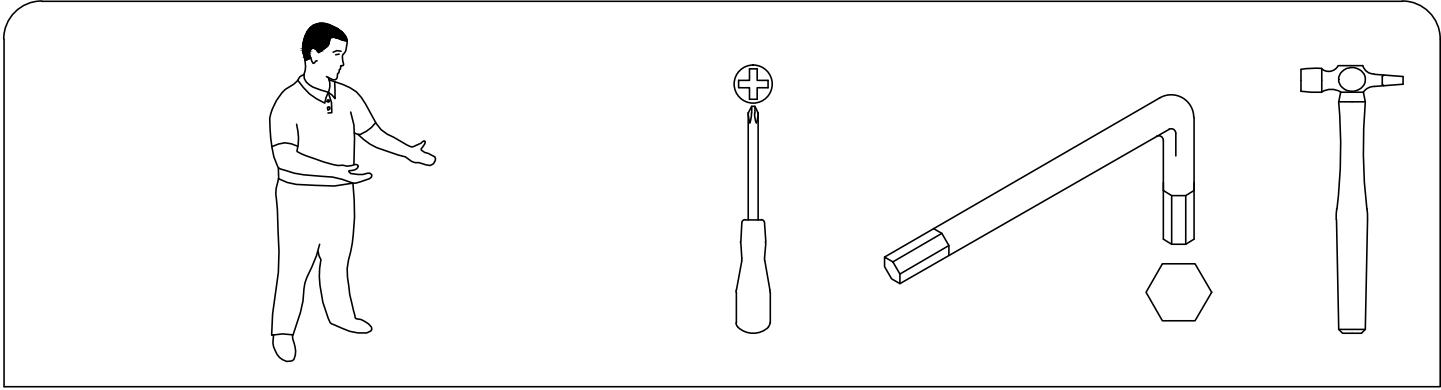
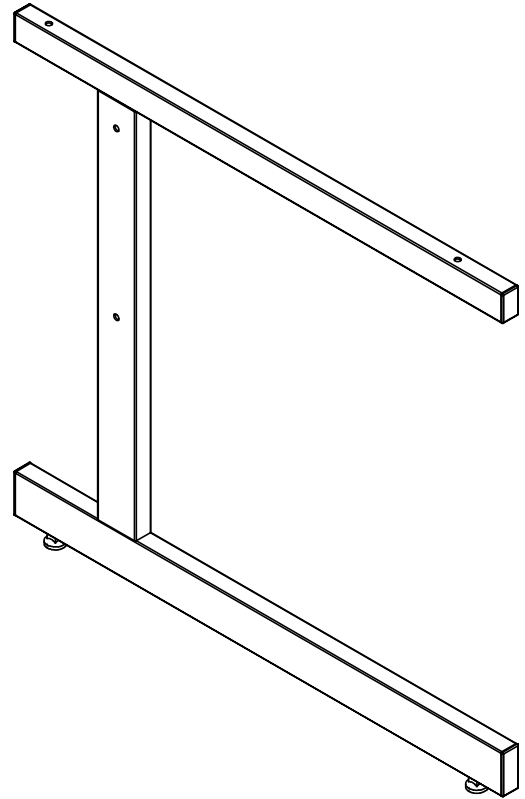
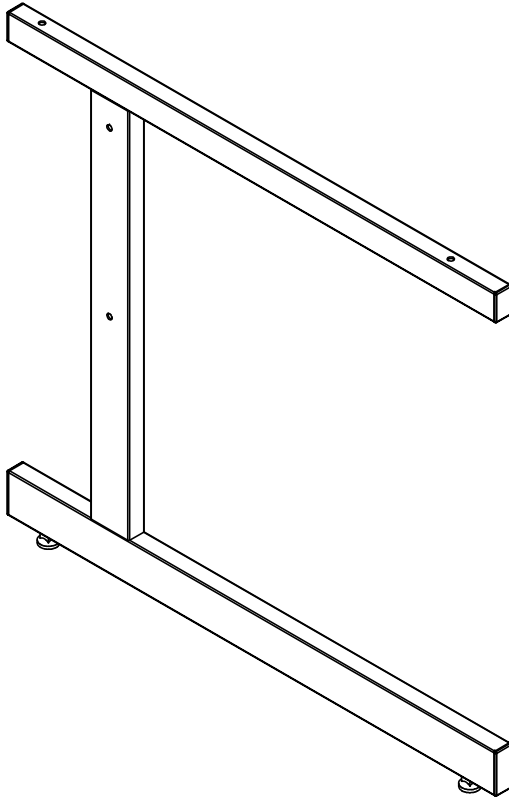
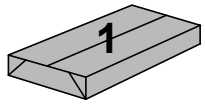


# Contract Straight Desk CLFS

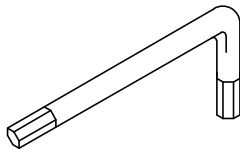




**Before disposing of any packaging  
Please check that you have all the fittings!**



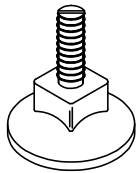
**1** 4mm Allen Key  
RM-ALK01



**4** Nylon M6x10 Socket  
RM-PAR05



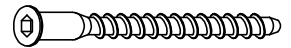
**4** Adjustable Foot Dia 25mm  
RM-FRL19



**4** Ferrul 40x25  
RM-FRL25 ( Silver - CLFSS )  
or  
RM-FRL09 ( Graphite - CLFSG )



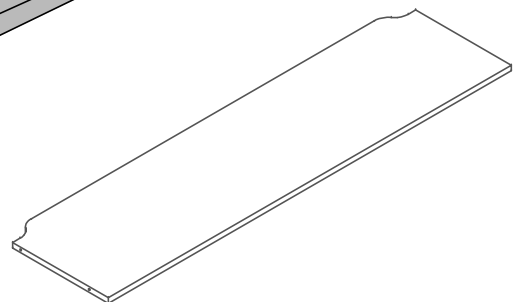
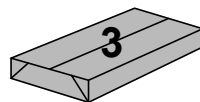
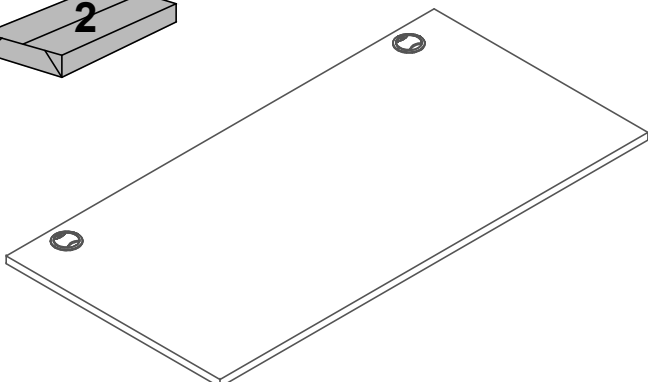
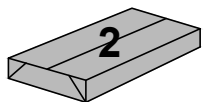
**4** Confirmat Screw 70mm  
RM-CFM02 ( Black - CLFSG )  
or  
RM-CFM04 ( Zinc - CLFSS )



**4** Connect Bolt M6x50mm  
RM-BLT05

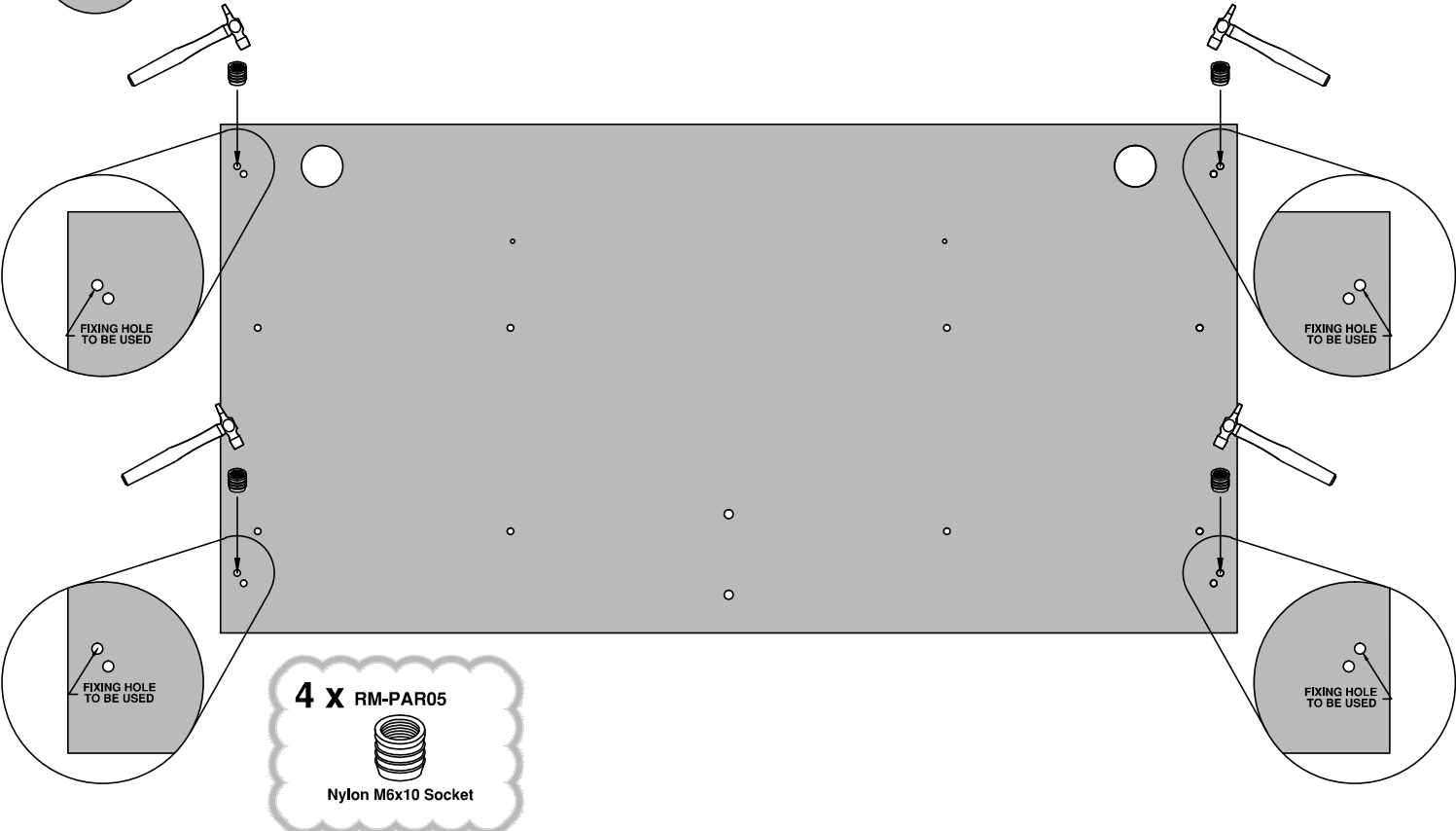


**4** Ferrul 60x25  
RM-FRL33 ( Silver - CLFSS )  
or  
RM-FRL39 ( Graphite - CLFSG )

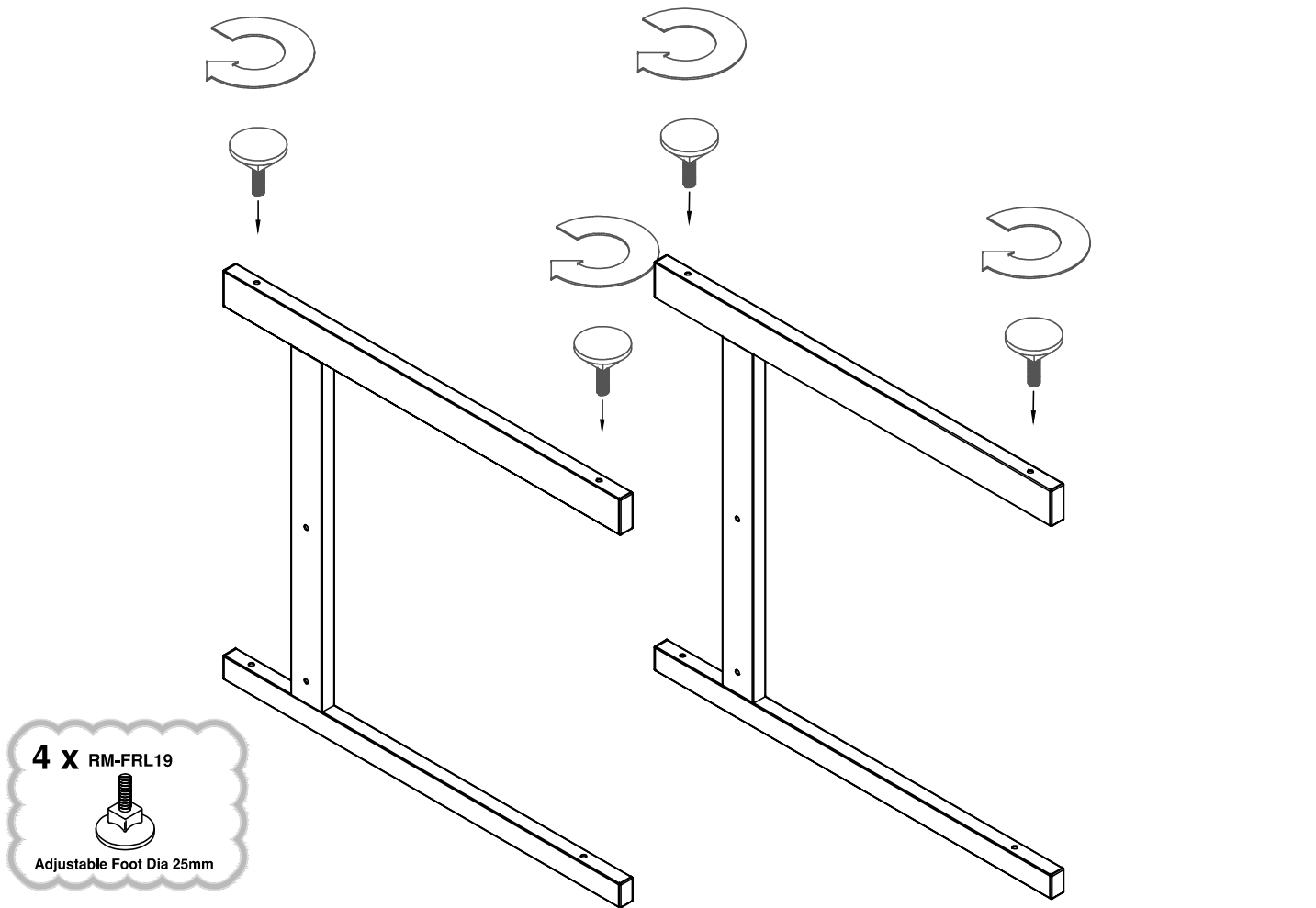


**CABLE PORTS SUPPLIED WITH DESK TOP**

1

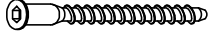


2

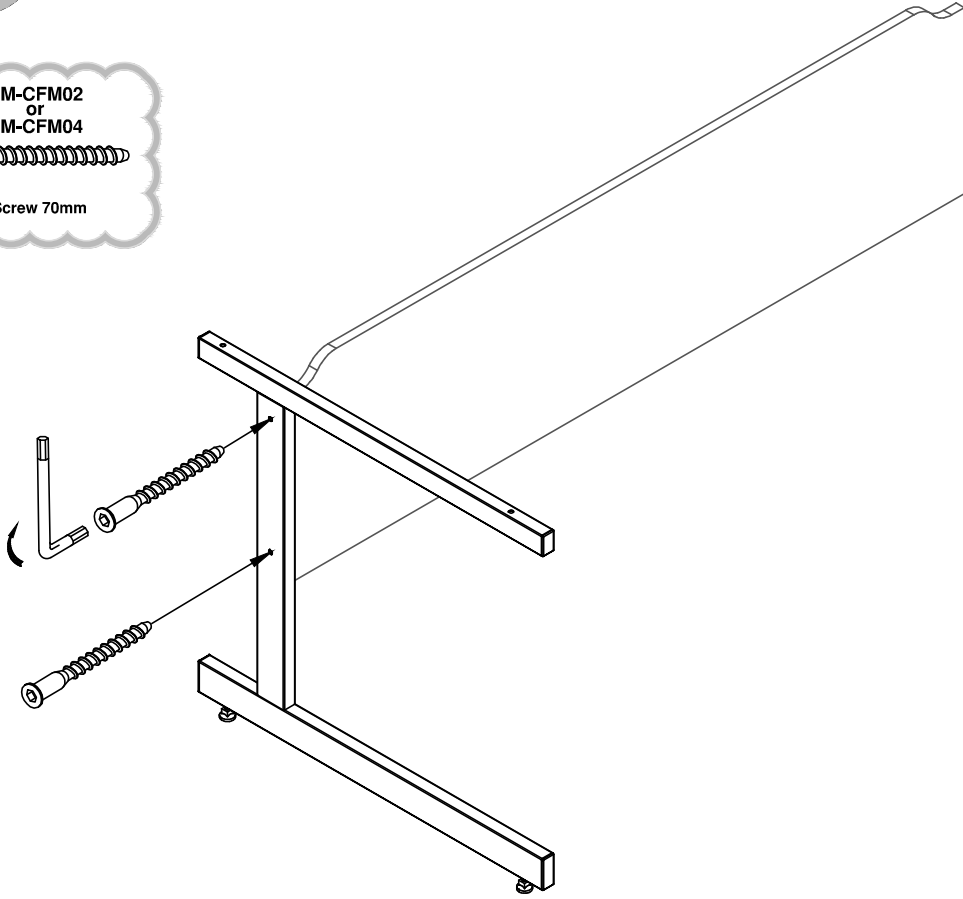


3

2 x RM-CFM02  
or  
RM-CFM04

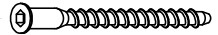


Confirmat Screw 70mm

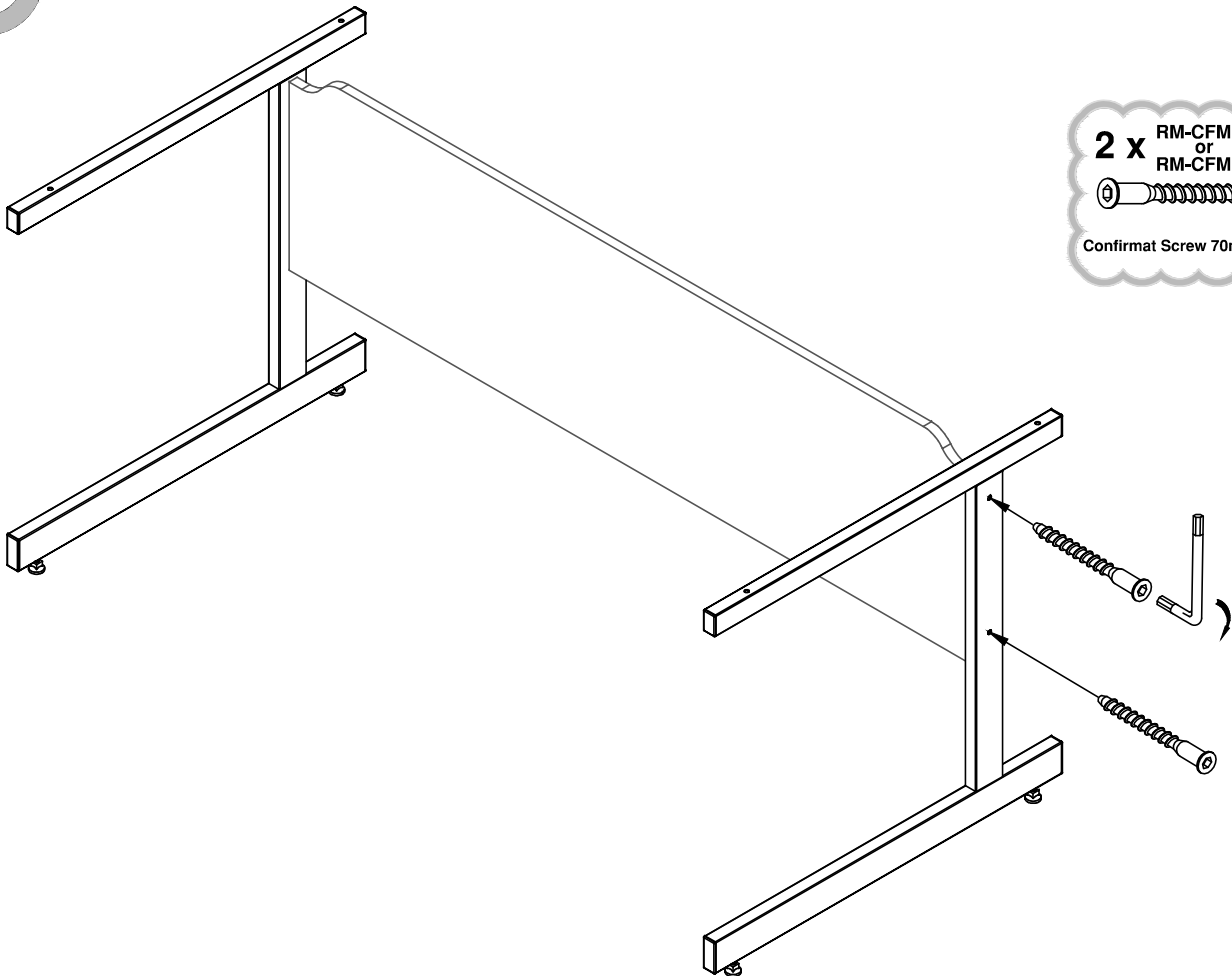


4

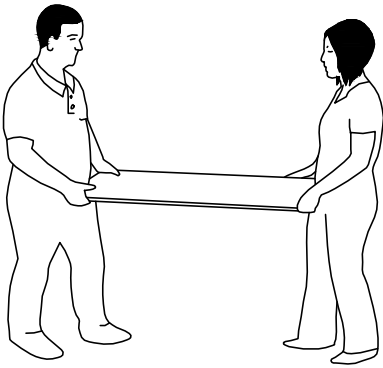
2 x RM-CFM02  
or  
RM-CFM04



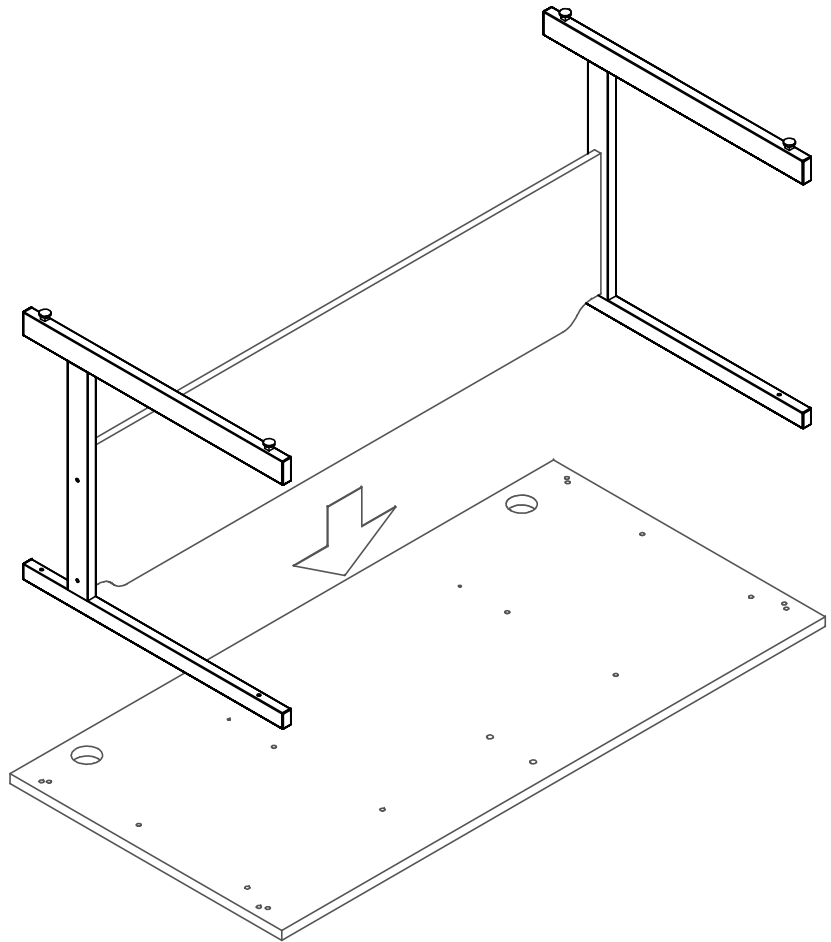
Confirmat Screw 70mm



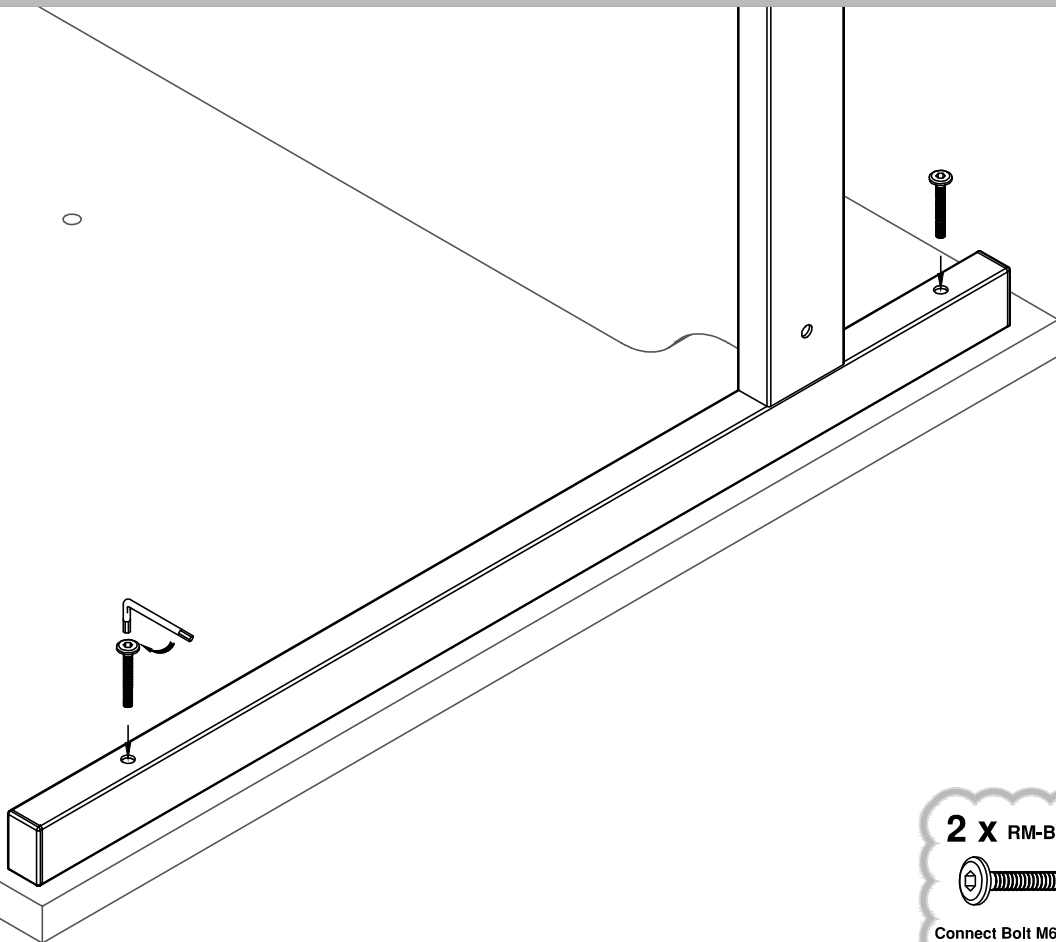
5



2 Man Lift Required



6

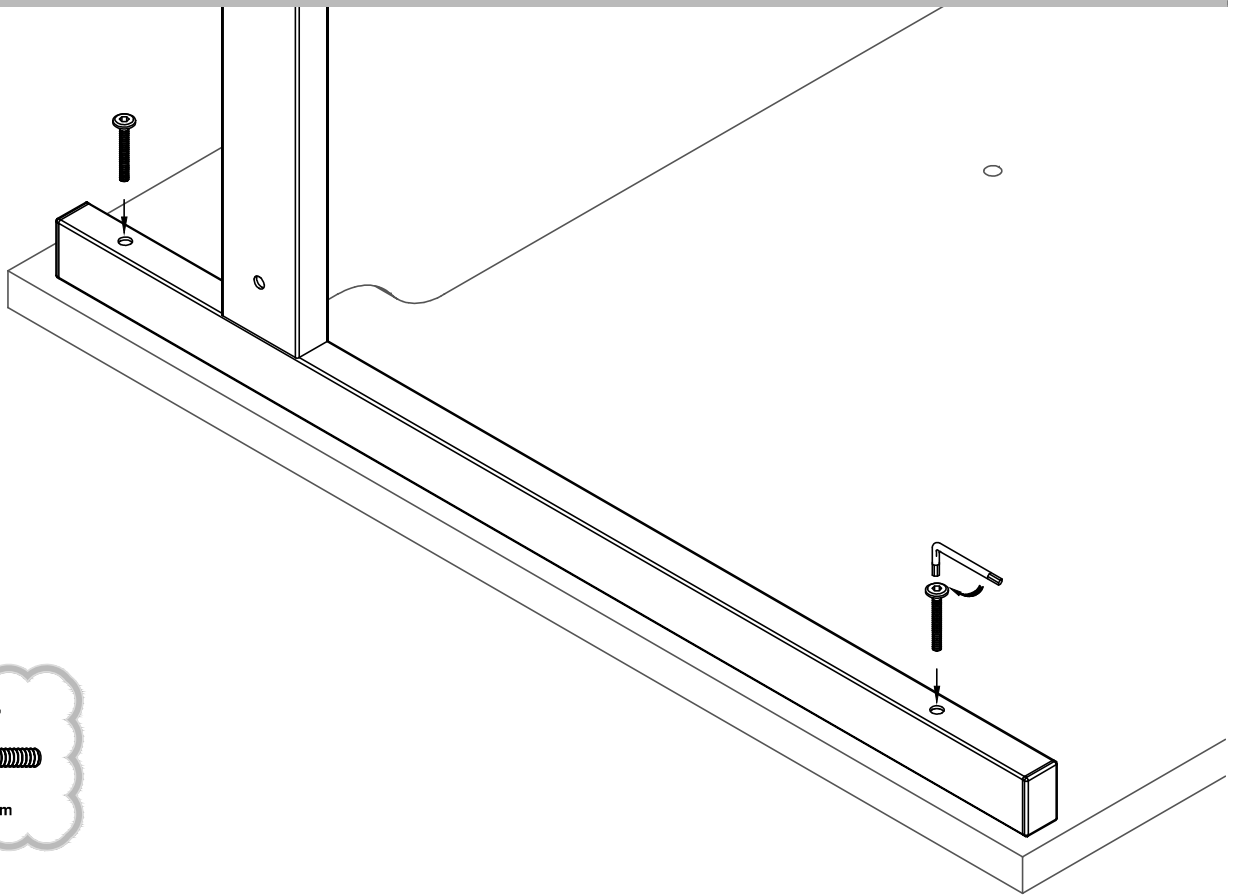


2 X RM-BLT05




Connect Bolt M6x50mm

7

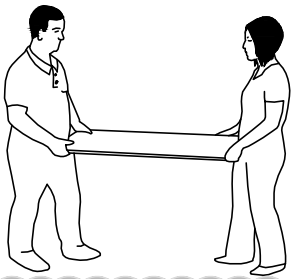


**2 X** RM-BLT05



Connect Bolt M6x50mm

8



**2 Man Lift Required**

