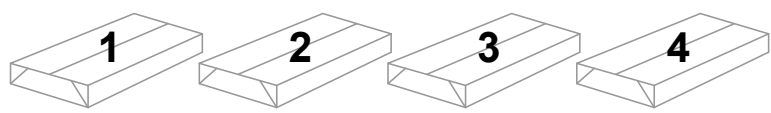
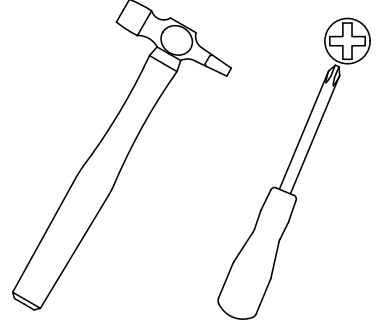
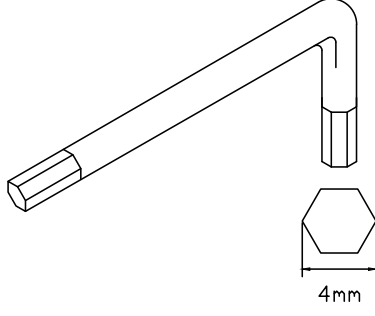
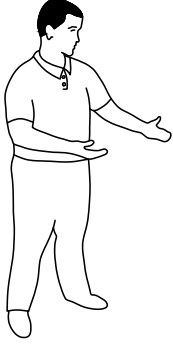


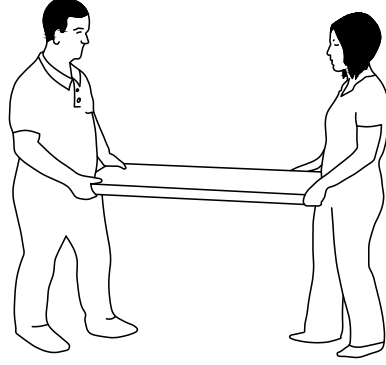
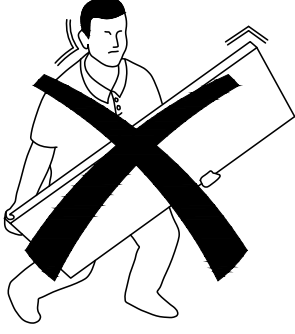
RIGHT HAND ERGONOMIC DESK SHOWN



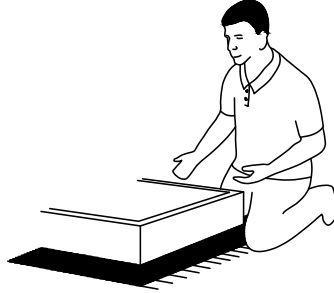
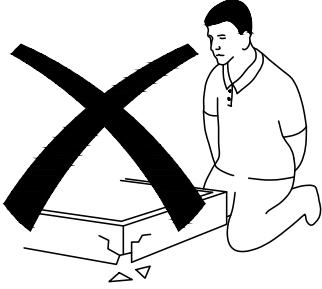
**TOOLS REQUIRED
FOR ASSEMBLY**



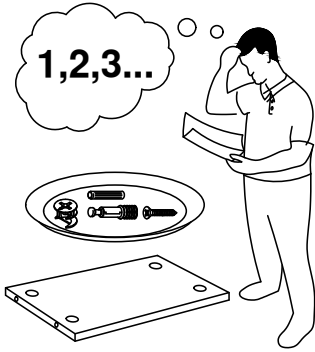
**DONT STRUGGLE
2 MAN LIFT**



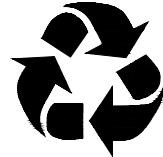
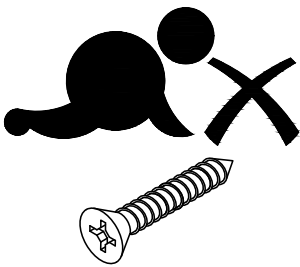
**ALWAYS HANDLE
ITEMS WITH CARE**



**IF UNSURE CALL
FOR ASSISTANCE**

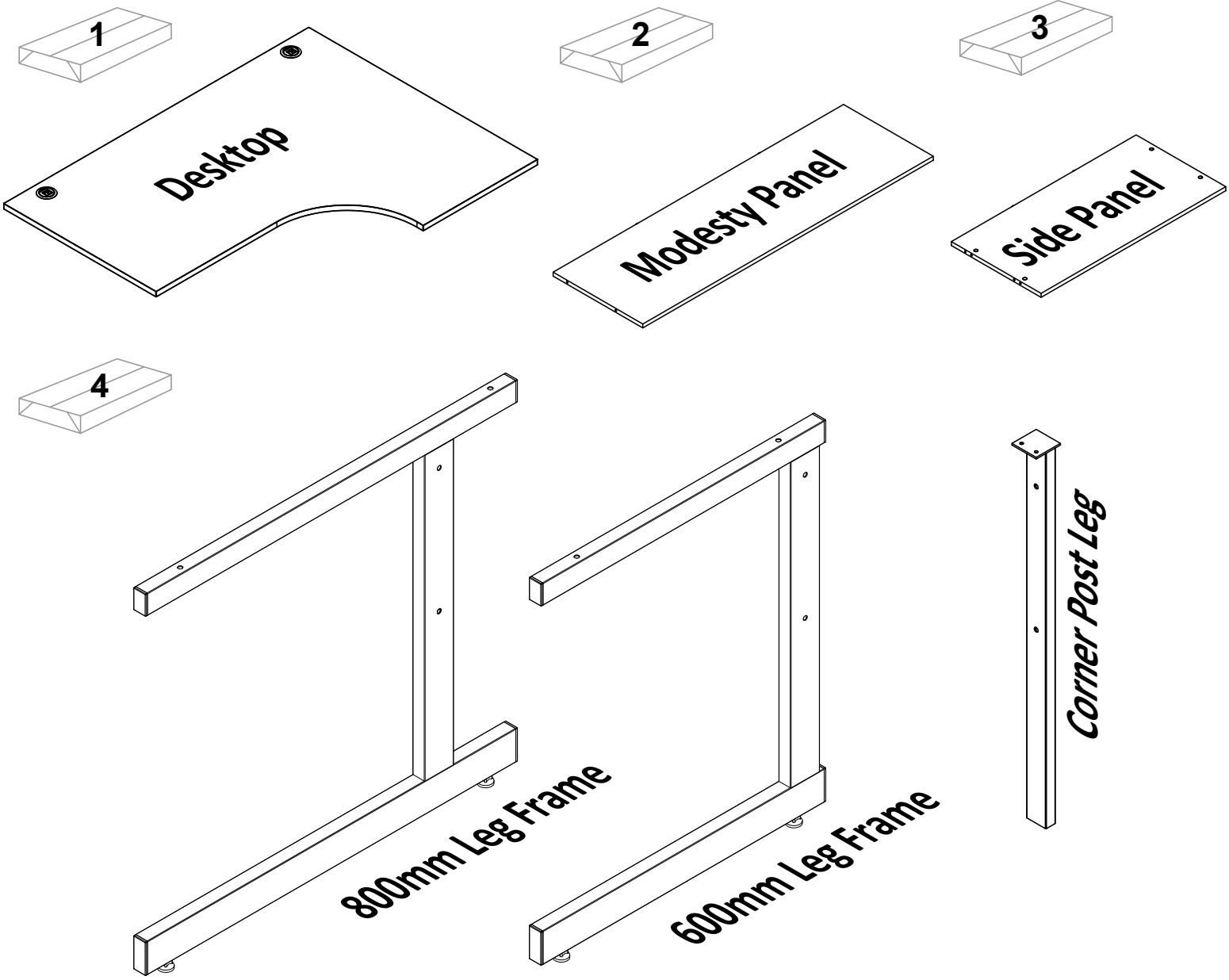


**KEEP FITTINGS AWAY
FROM CHILDREN**

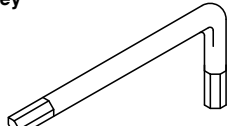
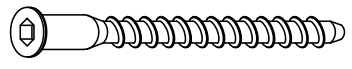
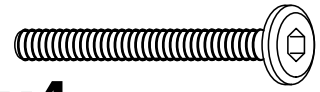
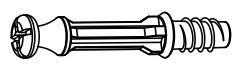

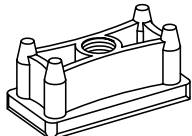
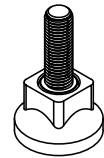



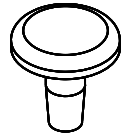




Please check that you have all the components!





Please check that you have all the hardware!

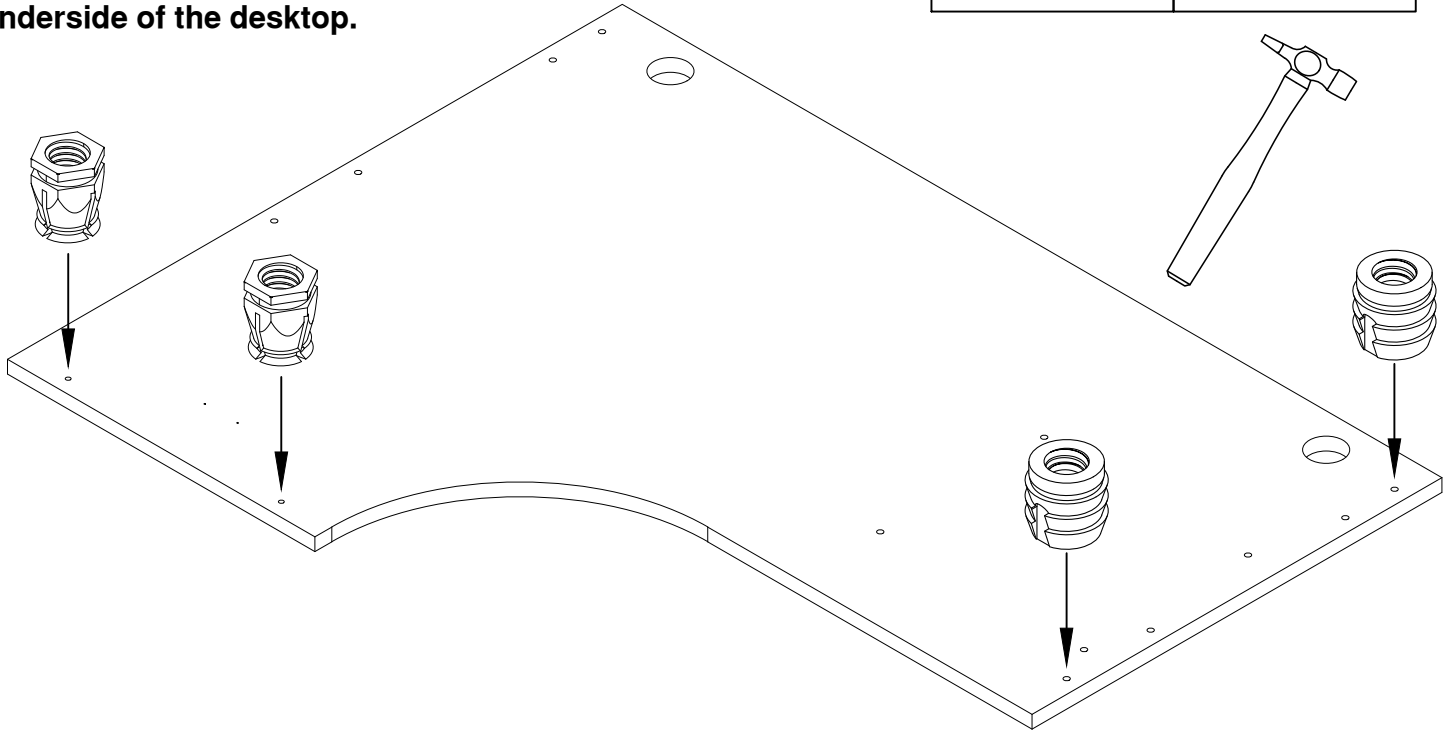
<p>4mm Allen Key RM-ALK01</p>  <p>x1</p>	<p>Confirmat Screw 70mm (Silver) RM-CFM04</p>  <p>x6</p>	<p>Connect Bolt M6x50mm RM-BLT05</p>  <p>x4</p>	<p>24mm Woodfix Pin RM-PIN04</p>  <p>x2</p>
<p>15mm Minifix Cam RM-CAM03</p>  <p>x2</p>	<p>40x20mm M8 Threaded Ferrule RM-FRL10</p>  <p>x1</p>	<p>Adjustable Foot Dia 38mm RM-FRL20</p>  <p>x5</p>	<p>4x20mm Wood Screw RM-SCR37</p>  <p>x1</p>
<p>Nylon M6x10 Socket RM-PAR05</p>  <p>x2</p>	<p>M6 Brass Insert RM-PAR03</p>  <p>x2</p>	<p>Spacer Peg RM-FRL08</p>  <p>x4</p>	

1

Step 1

Place your desktop face down onto a clean dry surface and knock in the inserts into the pre drilled holes on the underside of the desktop.

Nylon M6x10 Socket RM-PAR05	M6 Brass Insert RM-PAR03
x2 	x2 



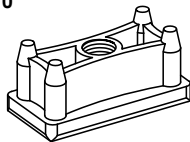
2

Step 2

Screw the 25mm adjustable feet into the bottom of both leg frames. Insert the tapped ferrule into the corner post leg before screwing in the 25mm adjustable foot.

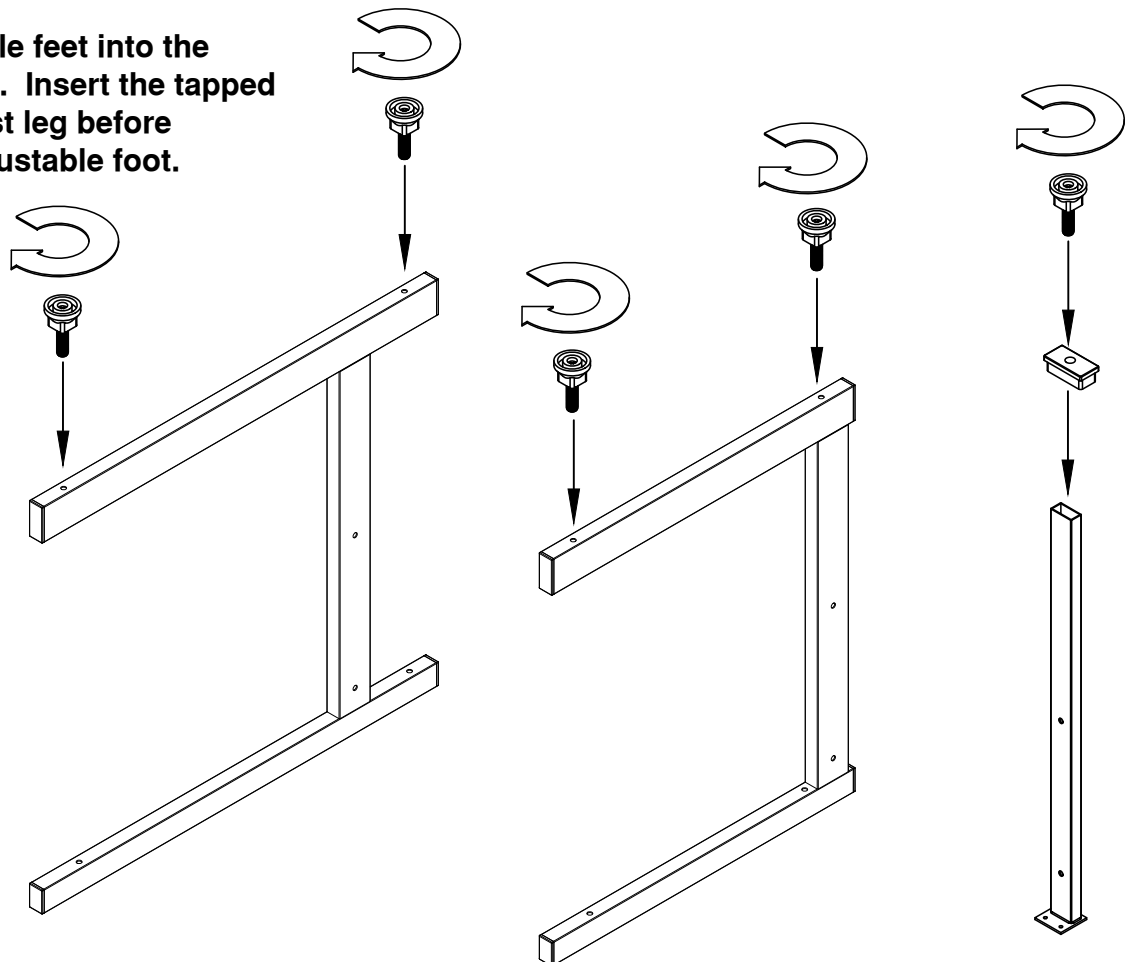
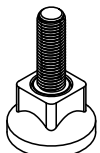
40x20mm M8 Threaded Ferrule
RM-FRL10

x1



Adjustable Foot Dia 38mm
RM-FRL20

x5

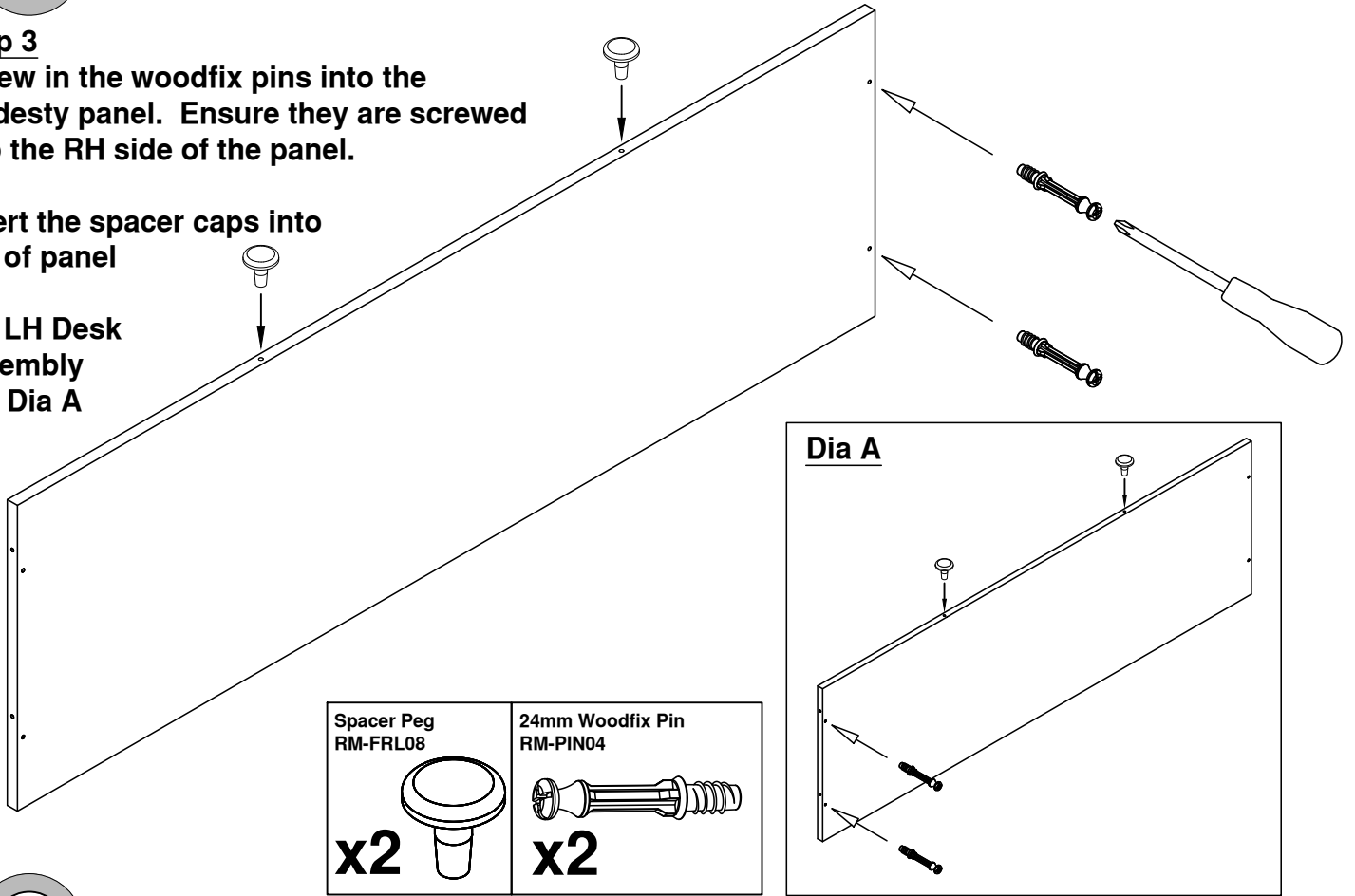


3

Step 3
Screw in the woodfix pins into the modesty panel. Ensure they are screwed into the RH side of the panel.

Insert the spacer caps into top of panel

For LH Desk assembly see Dia A

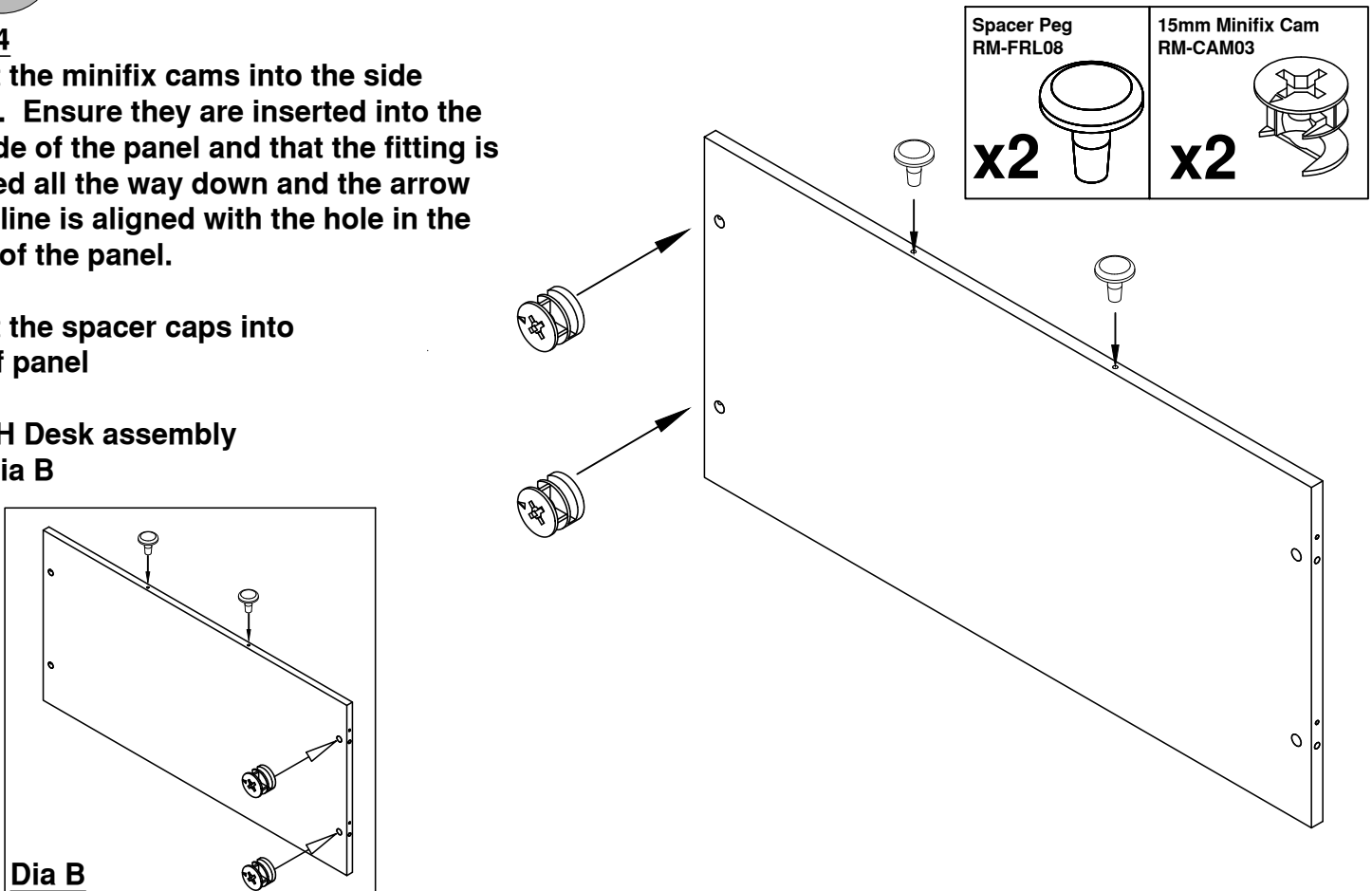


4

Step 4
Insert the minifix cams into the side panel. Ensure they are inserted into the LH side of the panel and that the fitting is pushed all the way down and the arrow guideline is aligned with the hole in the edge of the panel.

Insert the spacer caps into top of panel

For LH Desk assembly see Dia B



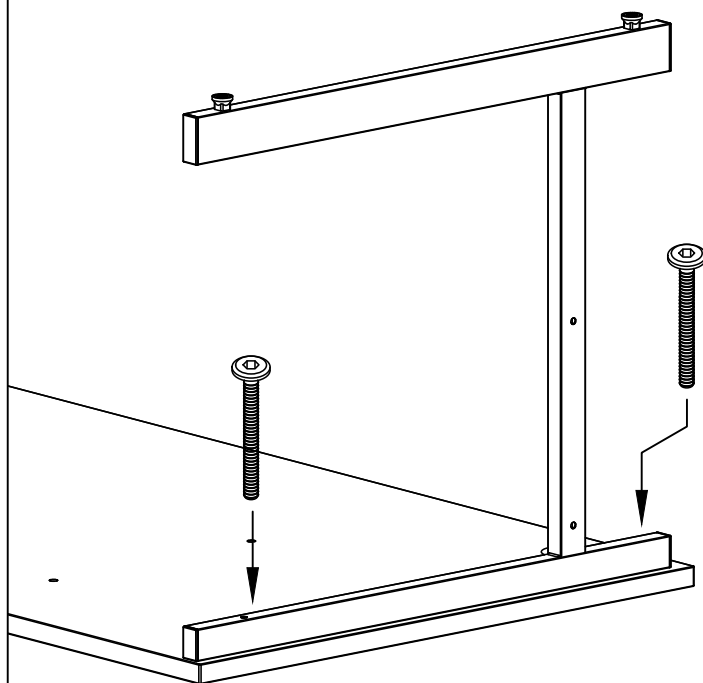
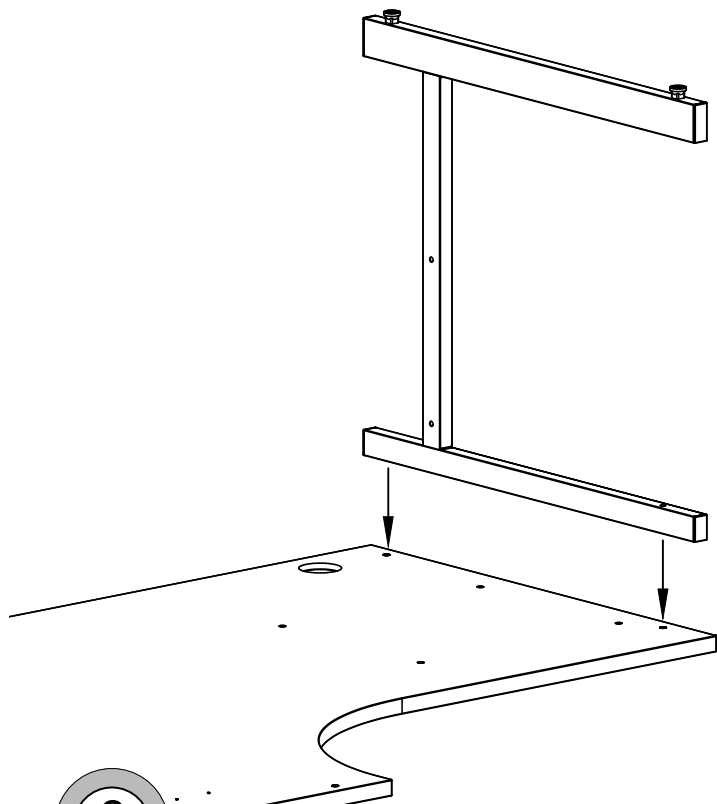
5

Step 5
Attach the 800mm leg to the desktop using the M6x50mm connect bolts.

Connect Bolt M6x50mm
RM-BLT05



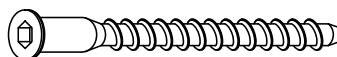
x2



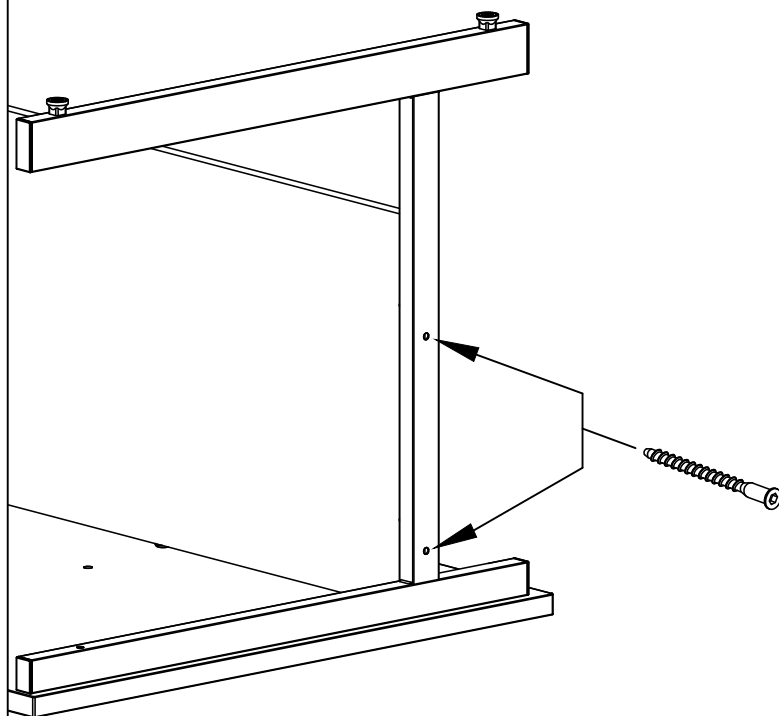
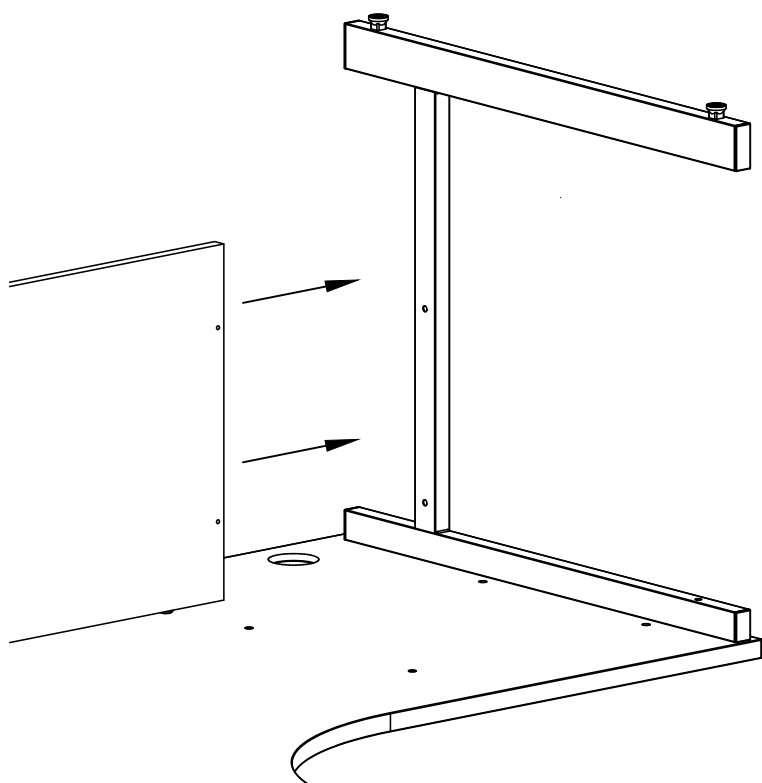
6

Step 6
Attach the modesty panel to the leg using the 70mm confirmat screws.

Confirmat Screw 70mm (Silver)
RM-CFM04



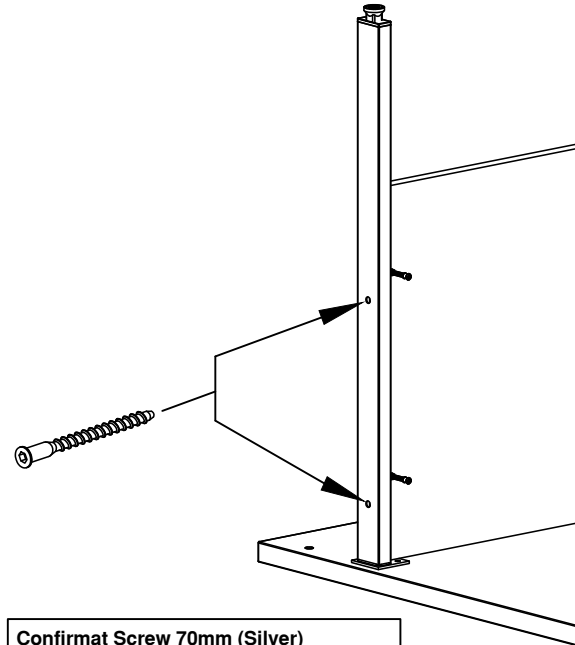
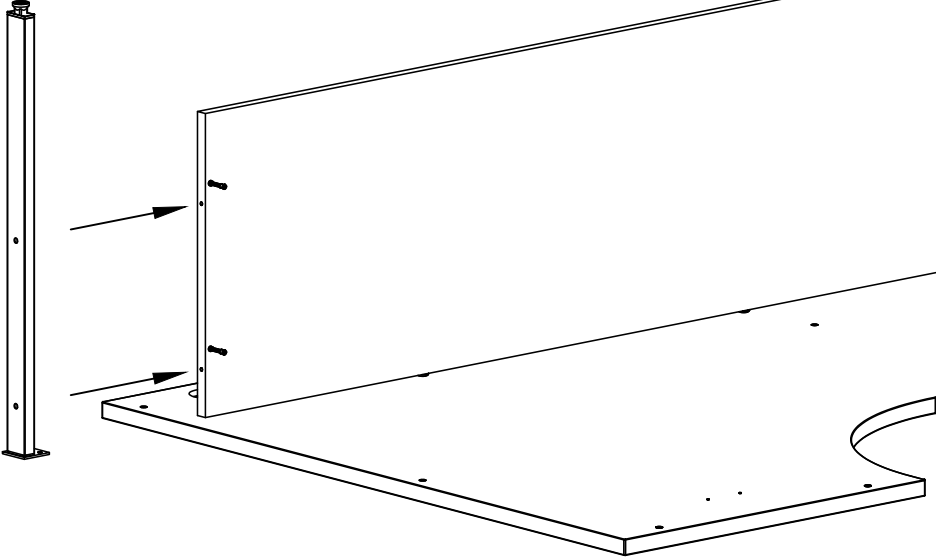
x2



7

Step 7

Line the corner post leg up with the modesty panel ensuring the pre drilled holes are aligned. Attach the leg to the modesty panel using the 70mm confirmat screws.



Confirmat Screw 70mm (Silver)
RM-CFM04

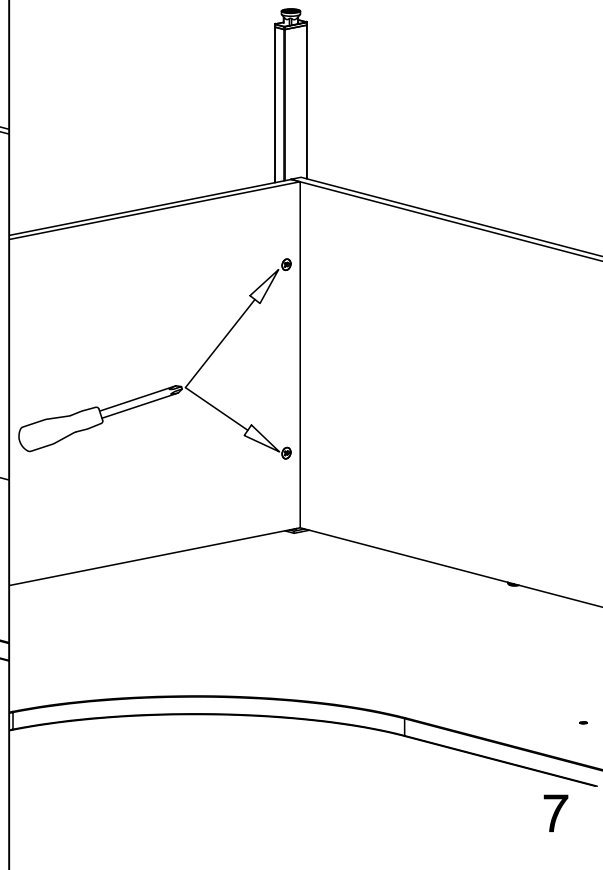
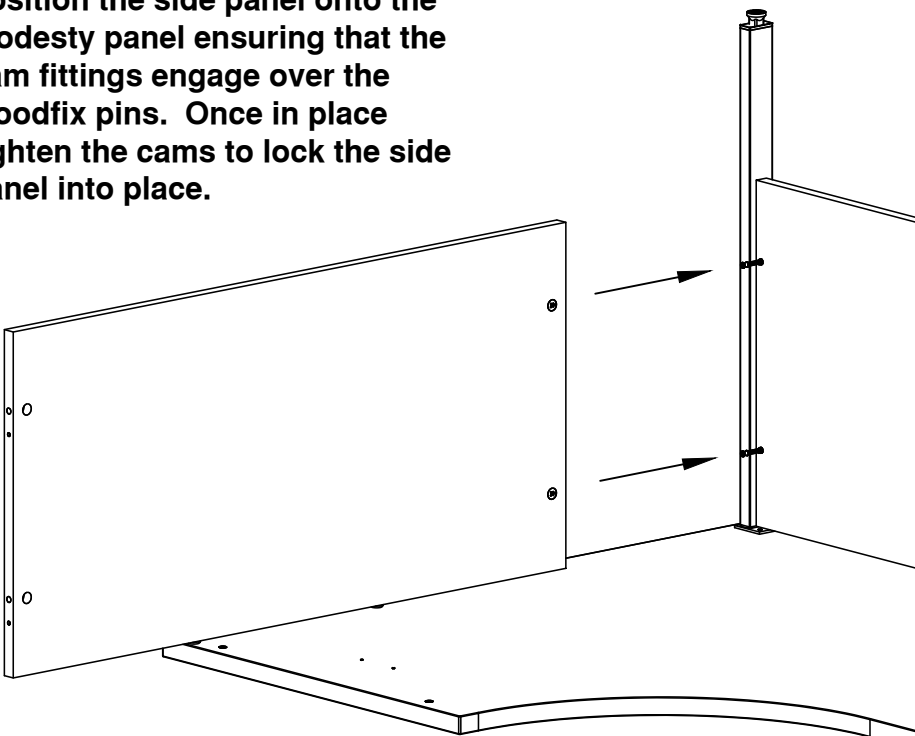


x2

8

Step 8

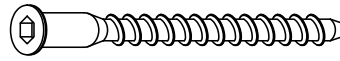
Position the side panel onto the modesty panel ensuring that the cam fittings engage over the woodfix pins. Once in place tighten the cams to lock the side panel into place.



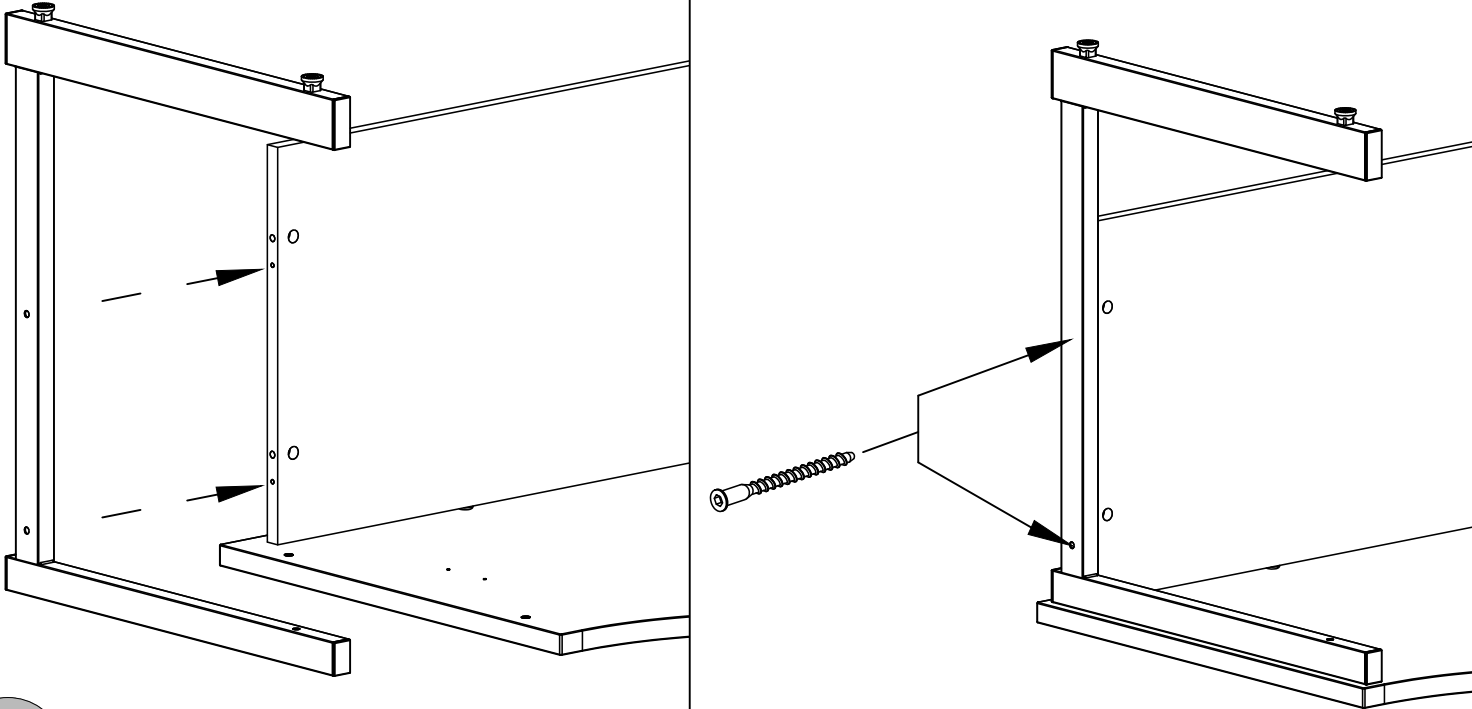
9

Step 9
Place the 600mm leg frame onto the desktop and attach to the modesty panel using the 70mm confirmat screws.

Confirmat Screw 70mm (Silver)
RM-CFM04

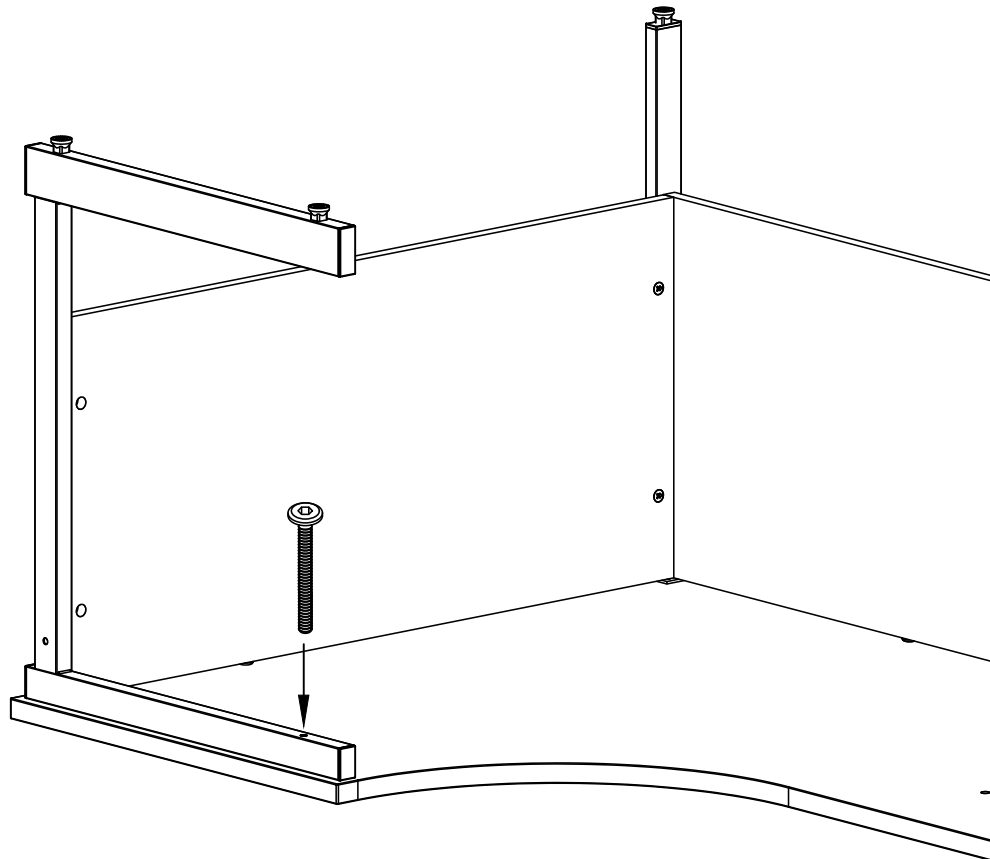


x2



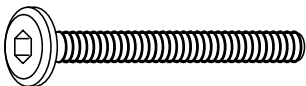
10

Step 10
Fix the 600mm leg frame to the desktop using the M6x50mm connect bolt, do not insert the rear fixing at this point, this is inserted during the final step of installation.



Connect Bolt M6x50mm
RM-BLT05

x1

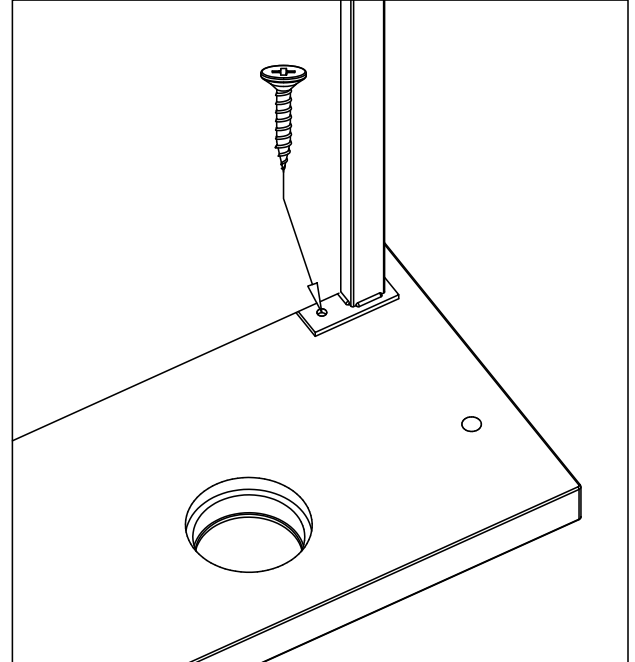
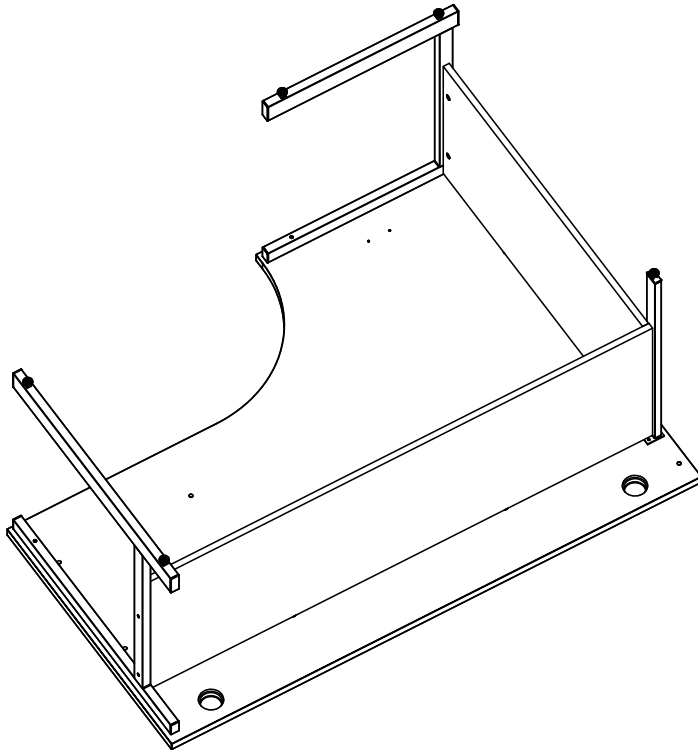


11

Step 11
Fix the corner post leg to the desktop using the 20mm wood screw.

4x20mm Wood Screw
RM-SCR37

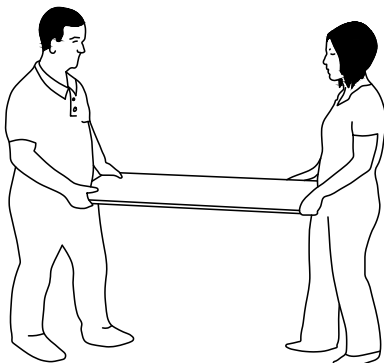
x1



12

Step 12
Lift and turn your desk upright.

Please note this requires a 2 man lift.
The desk is extremely heavy when fully assembled, always ensure that the table is lifted by the frame and not the desktop.



2 Man Lift Required

