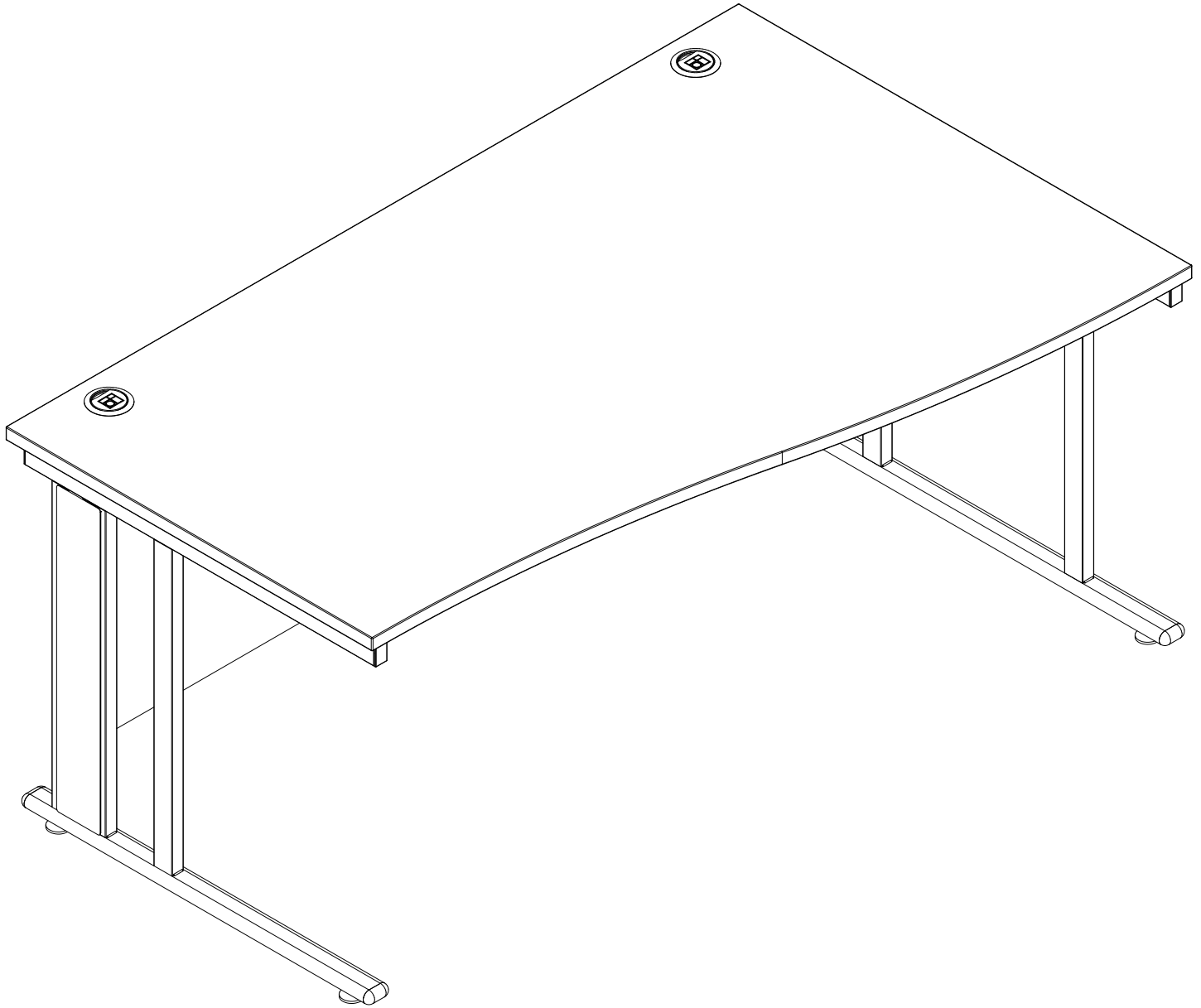


MCM25W

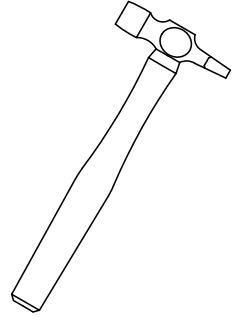
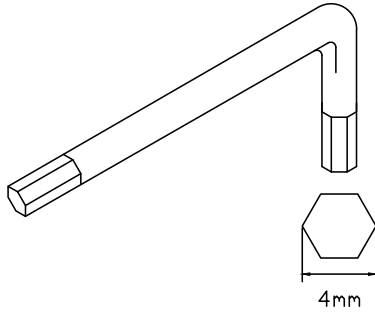
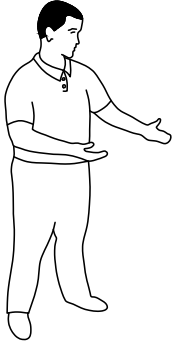
Wave Desk Cable Managed Leg Frame



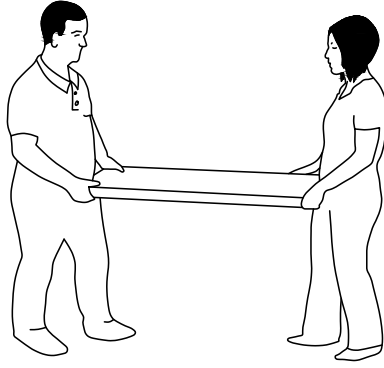
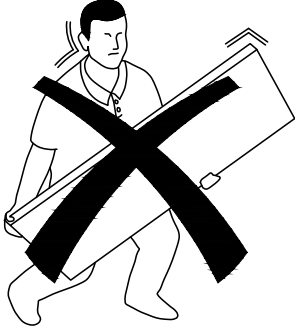
RIGHT HAND WAVE DESK SHOWN



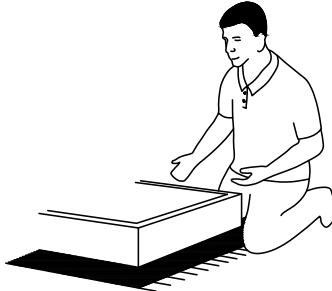
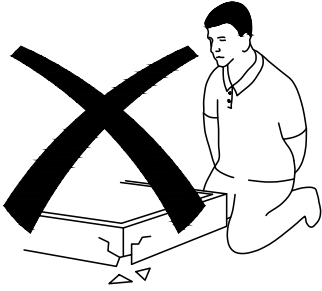
**TOOLS REQUIRED
FOR ASSEMBLY**



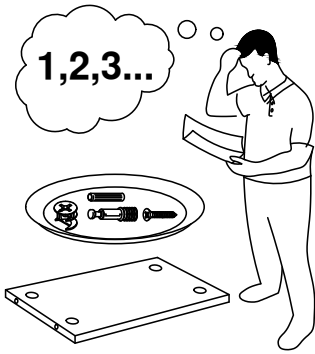
**DONT STRUGGLE
2 MAN LIFT**



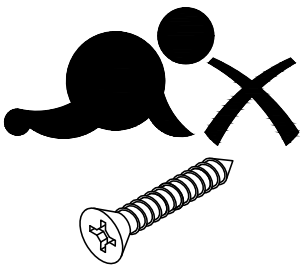
**ALWAYS HANDLE
ITEMS WITH CARE**



**IF UNSURE CALL
FOR ASSISTANCE**

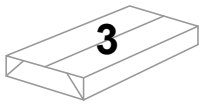
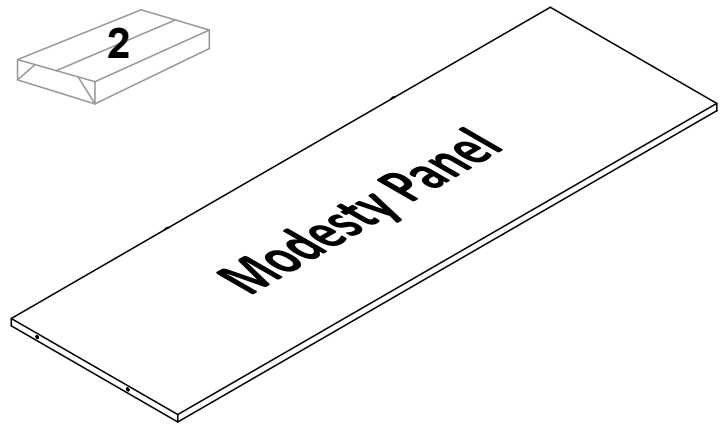
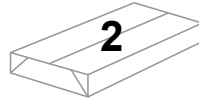
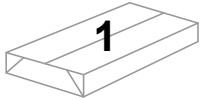


**KEEP FITTINGS AWAY
FROM CHILDREN**





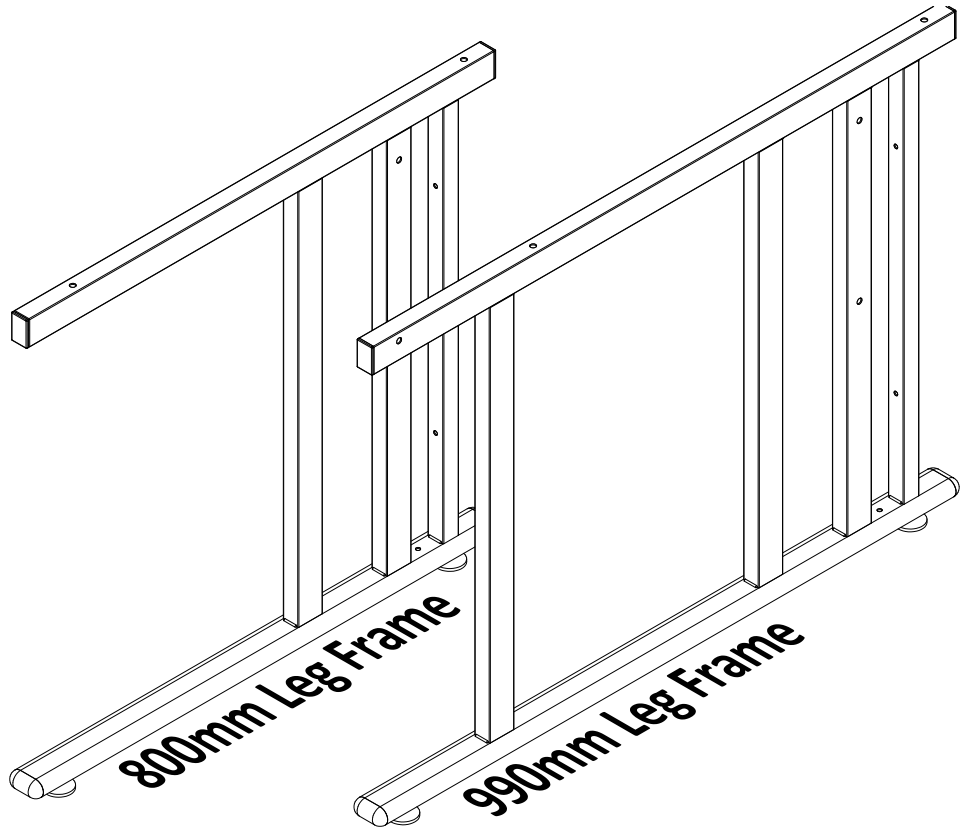
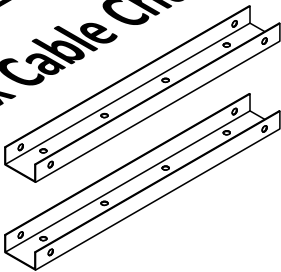
Please check that you have all the components!



2 x Outer Leg Covers



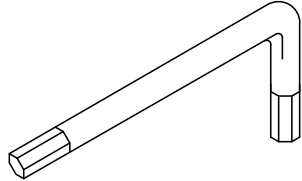
2 x Cable Channels



Please check that you have all the hardware!

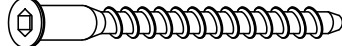
4mm Allen Key
RM-ALK01

x1



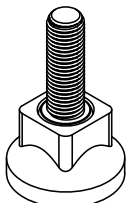
Confirmat Screw 70mm (Silver)
RM-CFM04

x4




Adjustable Foot Dia 38mm
RM-FRL20

x4




Nylon M6x10 Socket
RM-PAR05

x4



Connect Bolt M6x50mm
RM-BLT05

x4



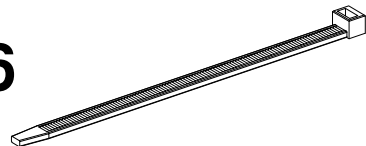
M6x10mm Thumbscrew

x12



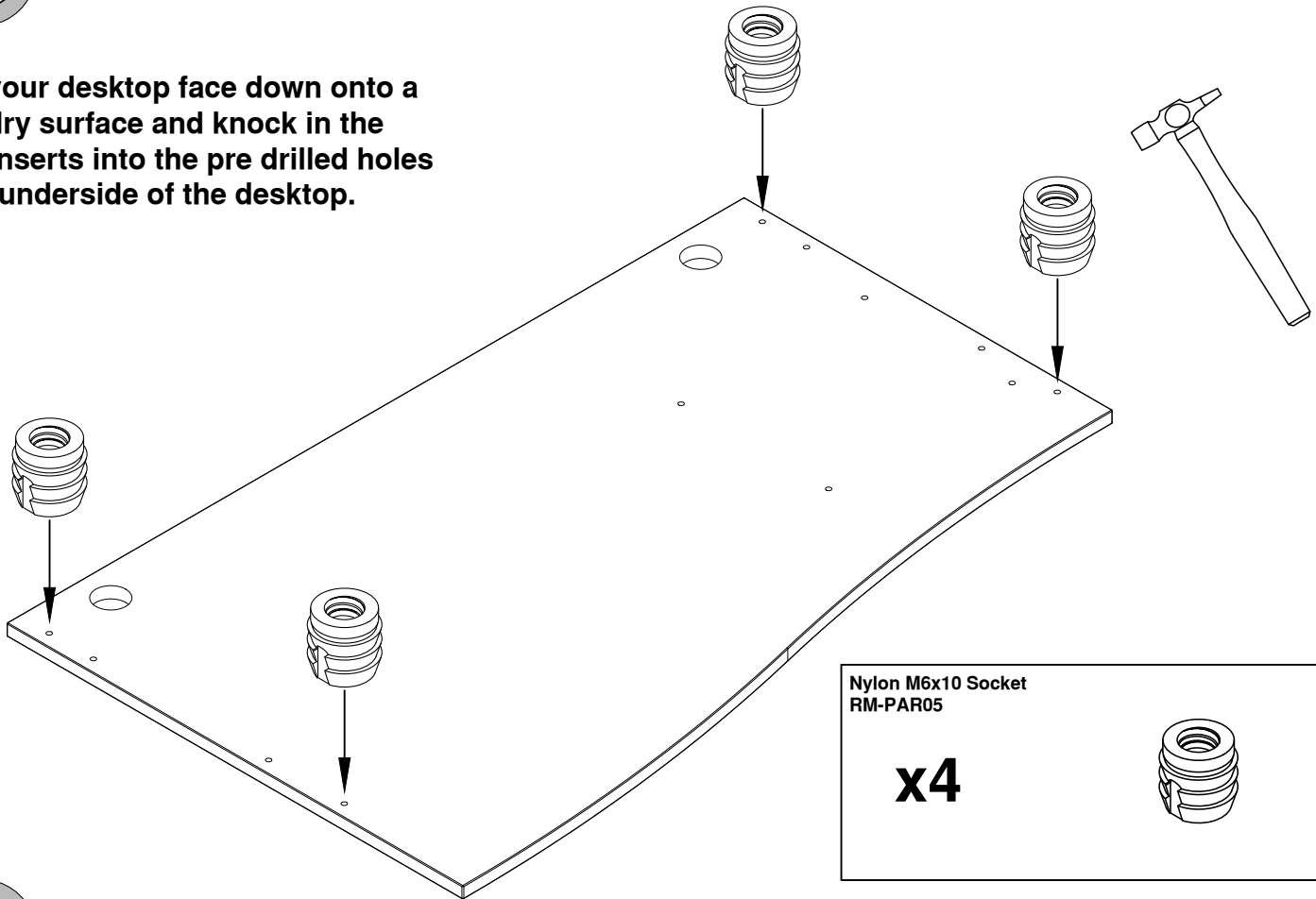
Cable Tie

x6



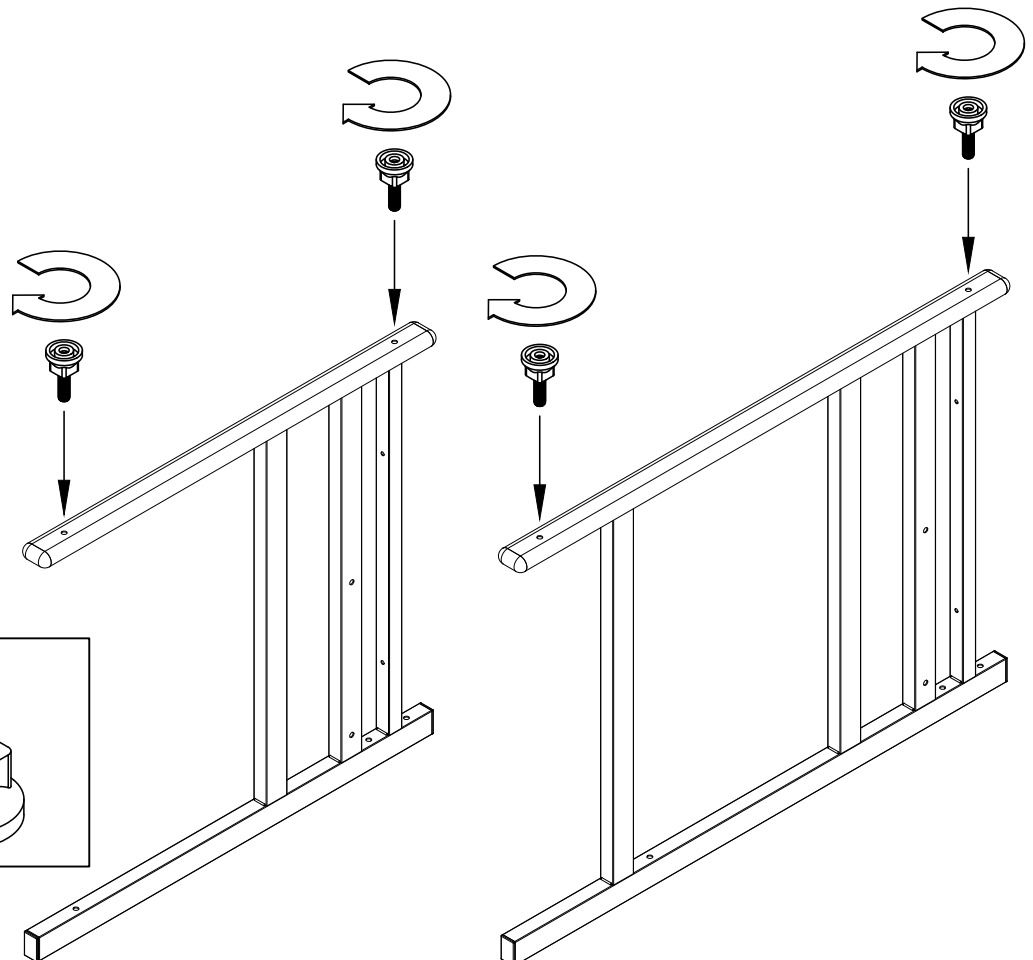
1

Step 1
Place your desktop face down onto a clean dry surface and knock in the nylon inserts into the pre drilled holes on the underside of the desktop.



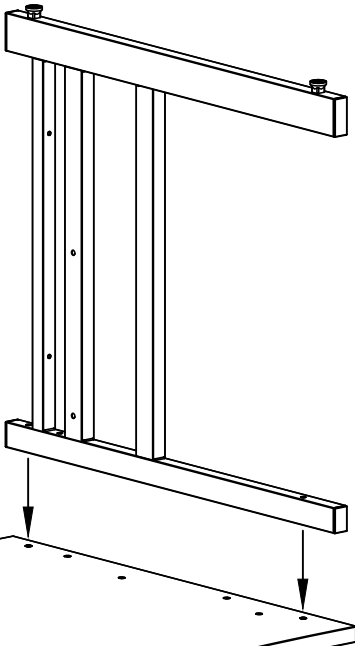
2

Step 2
Screw the 25mm adjustable feet into the bottom of both leg frames.



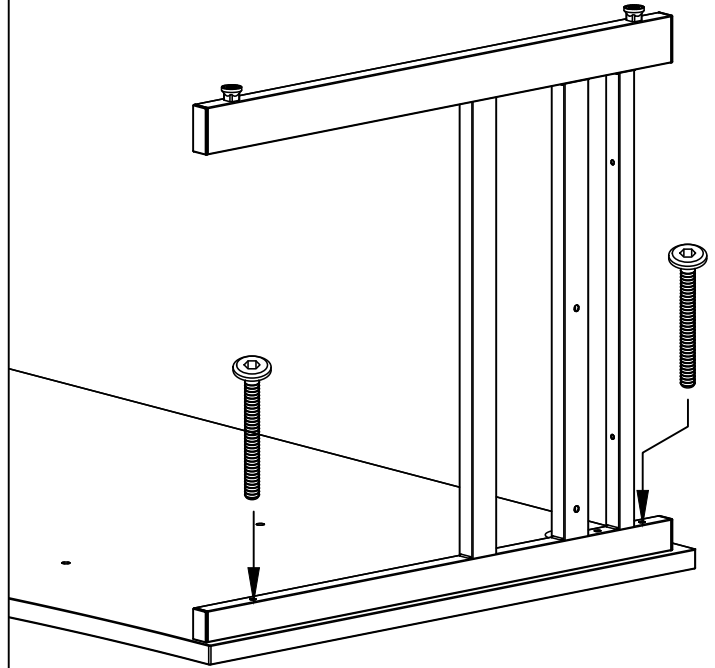
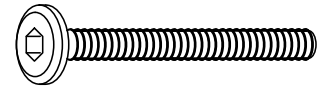
3

Step 3
Attach the 800mm leg frame to the desktop using the M6x50mm connect bolts.



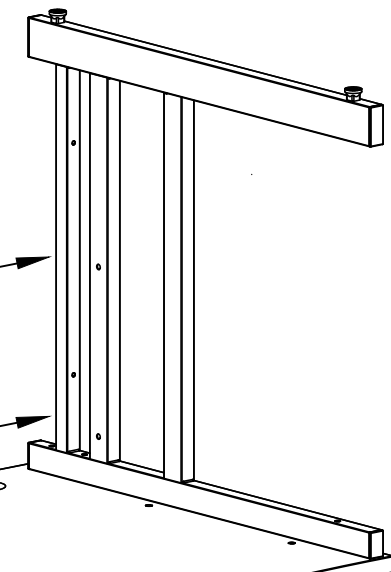
Connect Bolt M6x50mm
RM-BLT05

x2



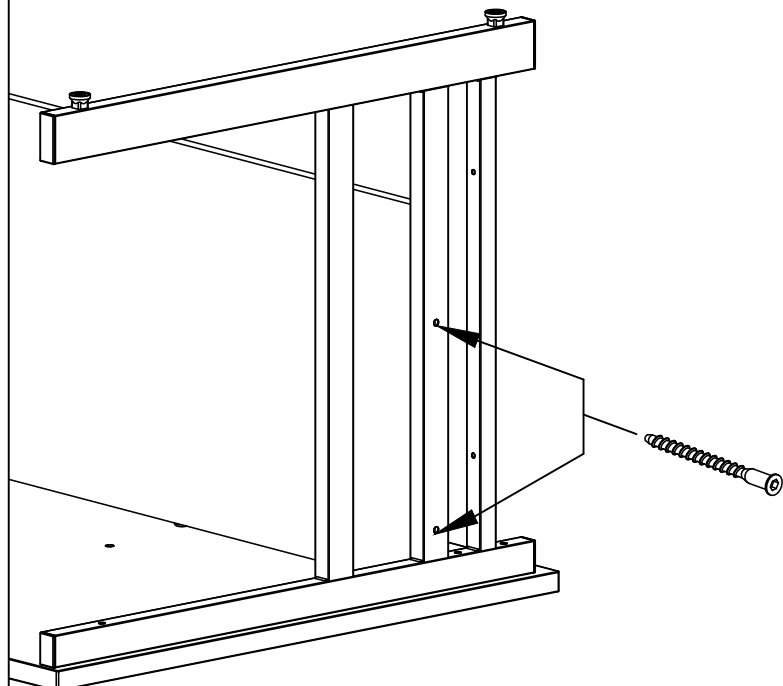
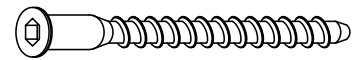
4

Step 4
Attach the modesty panel to the leg using the 70mm confirmat screws.



Confirmat Screw 70mm (Silver)
RM-CFM04

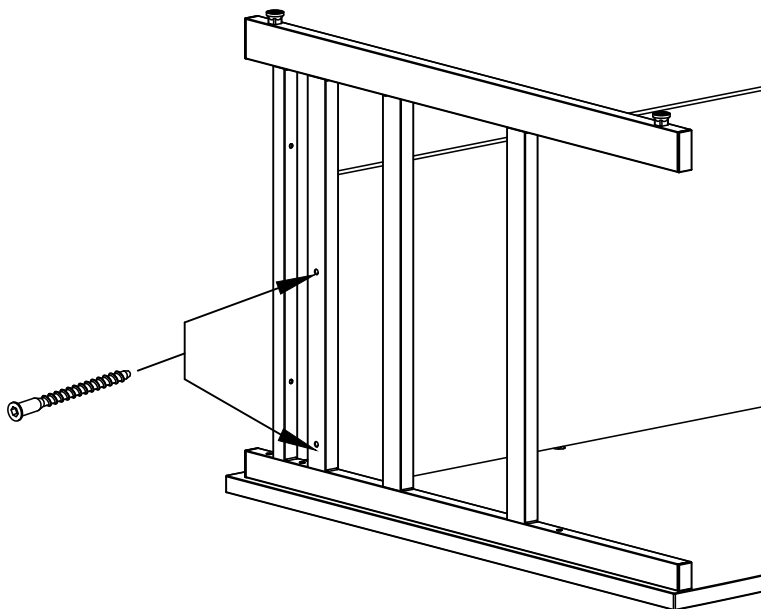
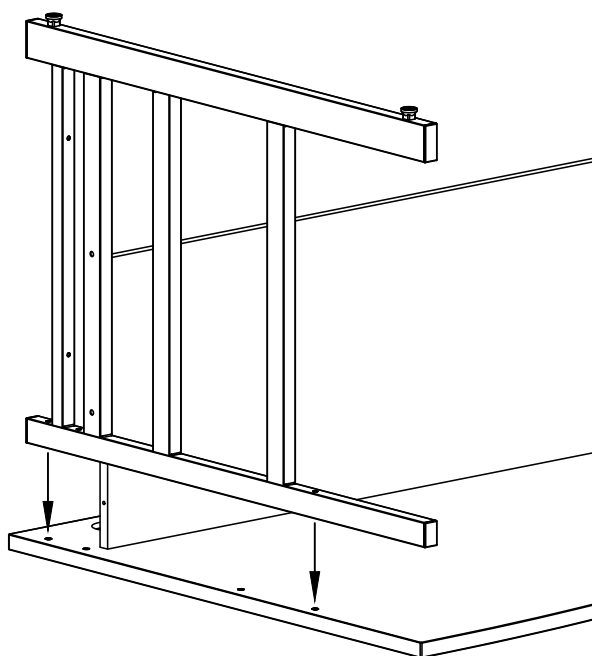
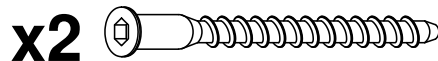
x2



5

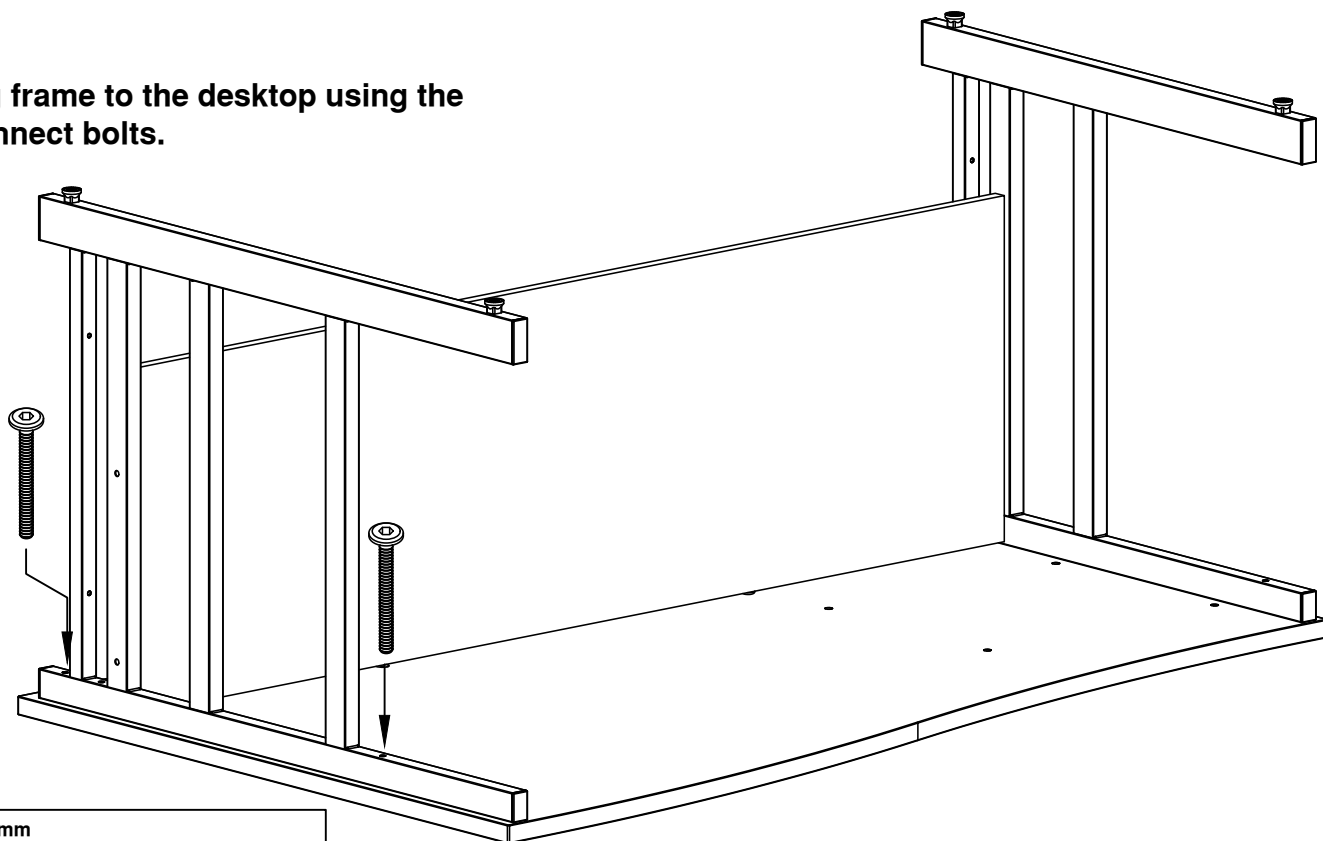
Step 5
Place the RH leg frame onto the desktop and attach to the modesty panel using the 70mm confirmat screws.

Confirmat Screw 70mm (Silver)
RM-CFM04

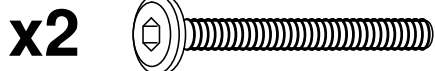


6

Step 6
Attach the leg frame to the desktop using the M6x50mm connect bolts.



Connect Bolt M6x50mm
RM-BLT05

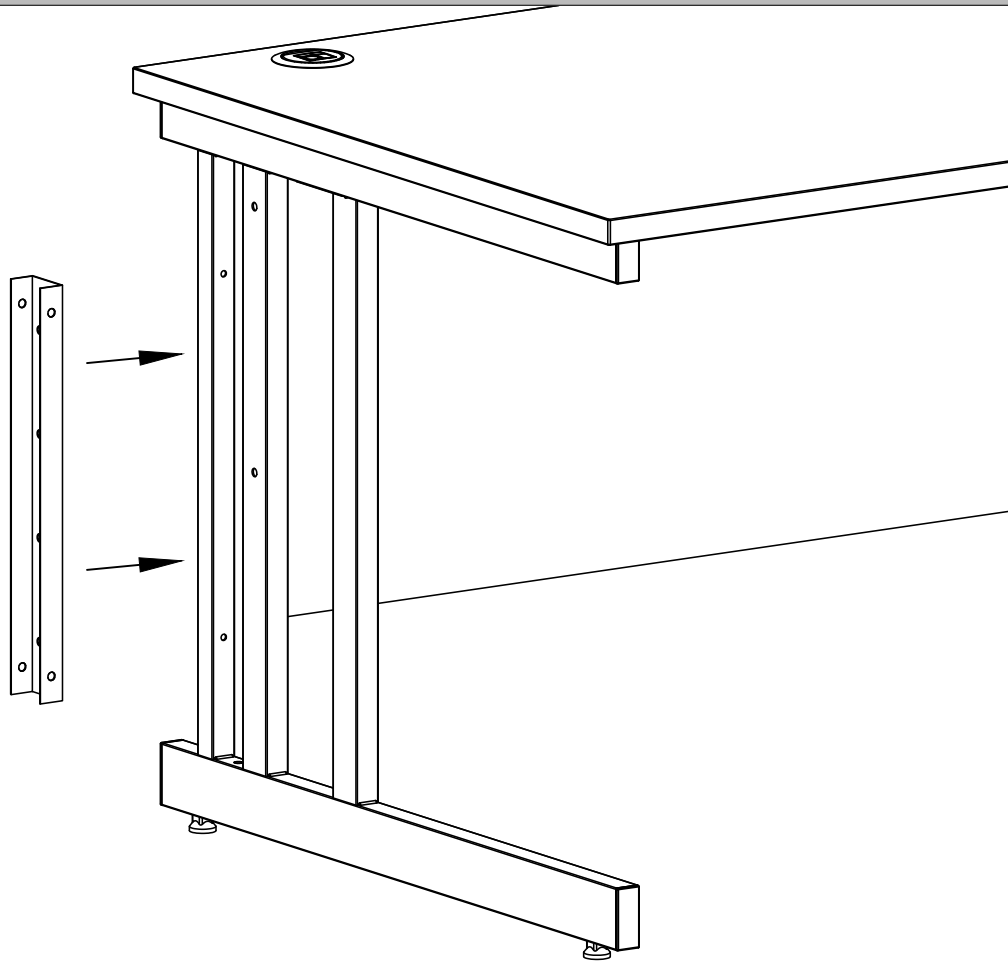


6

7

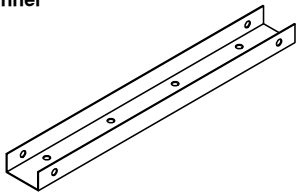
Step 7
Insert the cable channel into the opening between the uprights.

Repeat this step for both legs.



Cable Channel

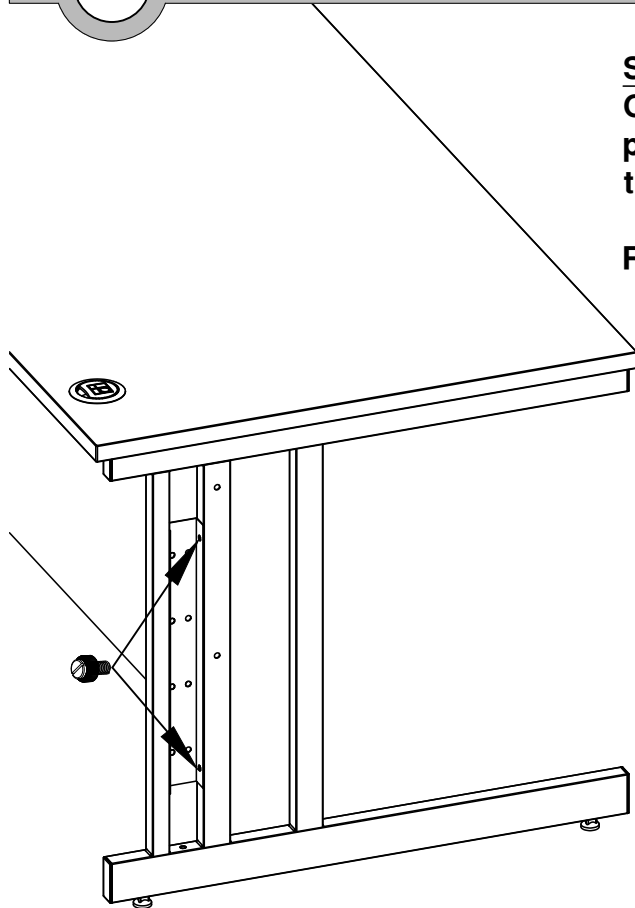
x2



8

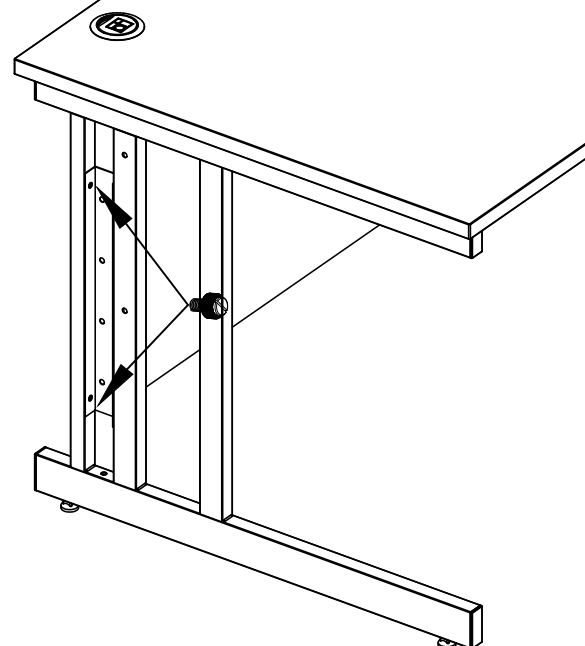
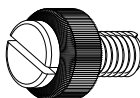
Step 8
Once the cable channel is in place fix it into position using the M6x10mm thumbscrews.

Repeat this step for both legs.



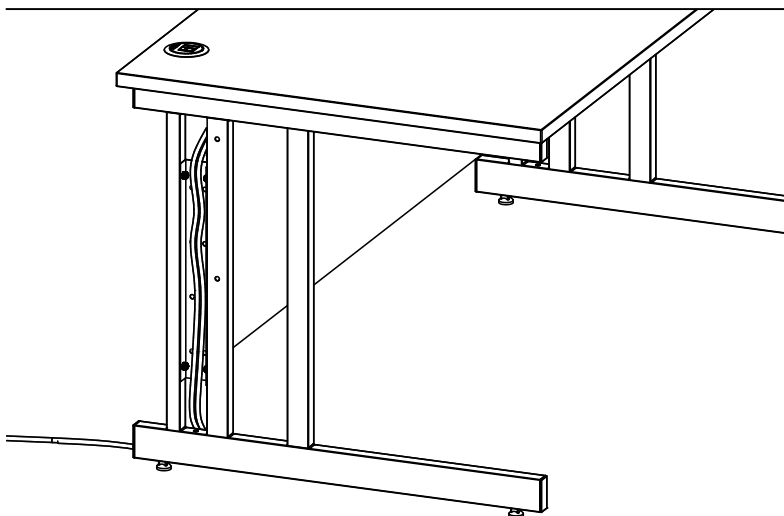
M6x10mm Thumbscrew

x8



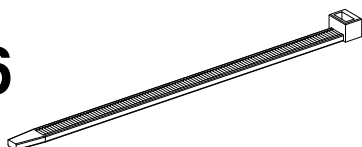
9

Step 9
Feed any cables up through the cable channel from the inside of the leg. If needed use the cable ties to fasten them to the cable channel.



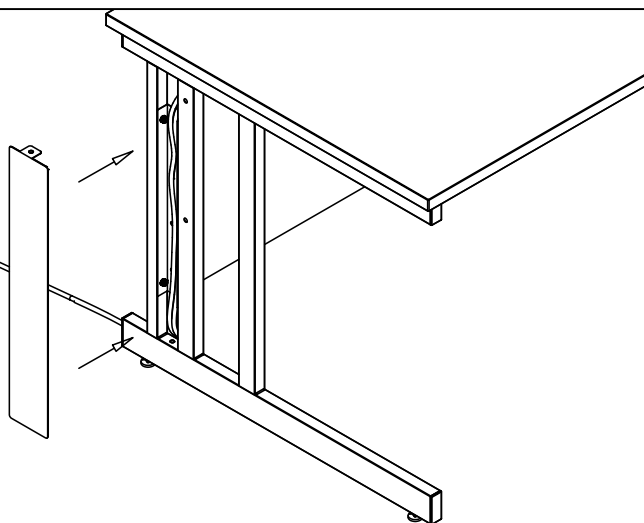
Cable Tie

x6



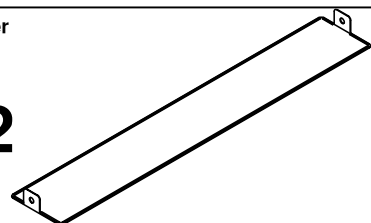
10

Step 10
Insert the cable cover into the opening between the uprights. Repeat this step for both legs.



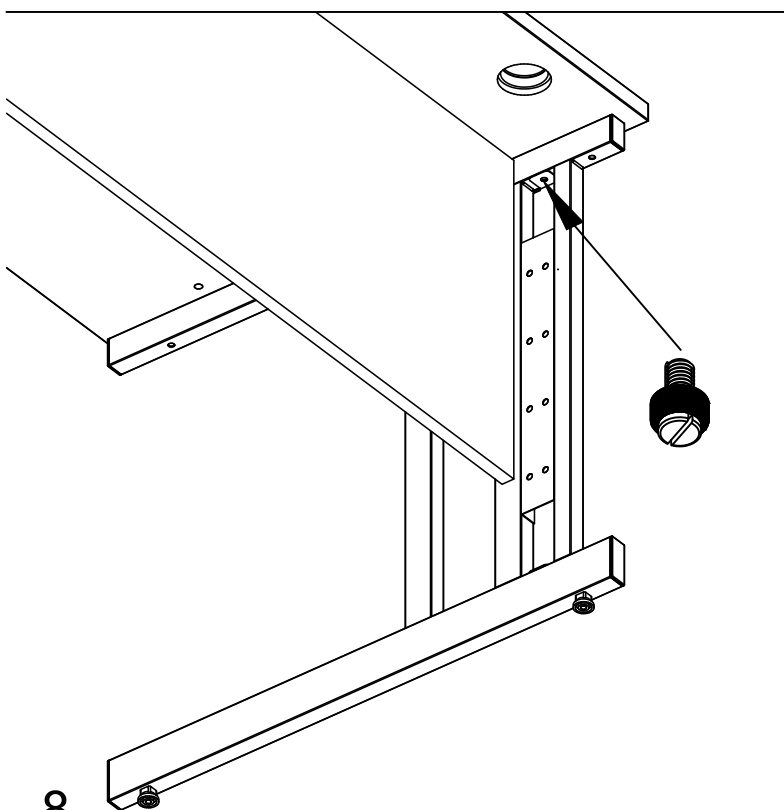
Cable Cover

x2



11

Step 11
Attach the cable covers using the M6x10mm thumbscrews. Repeat this step for both legs.



8

M6x10mm Thumbscrew

x4

