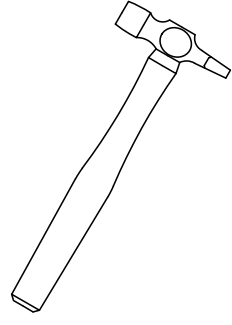
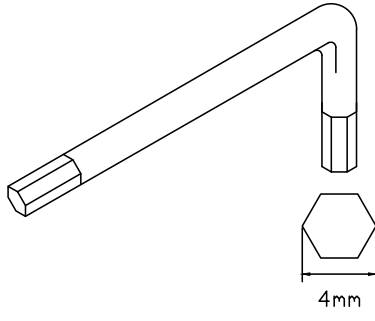
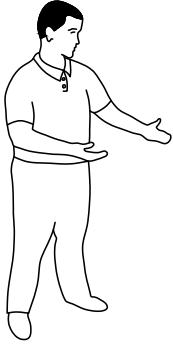


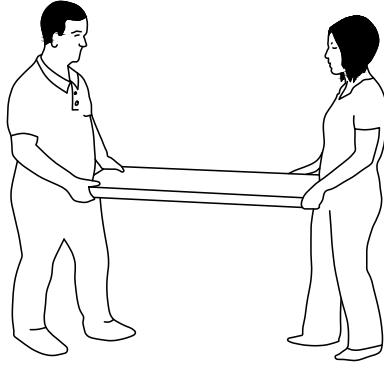
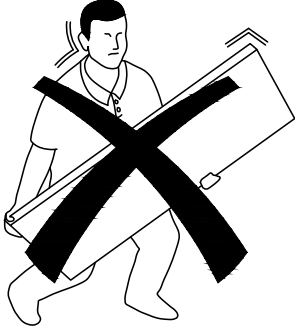
**RIGHT HAND WAVE  
DESK SHOWN**



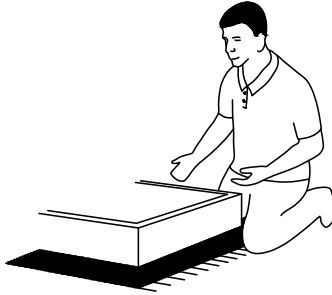
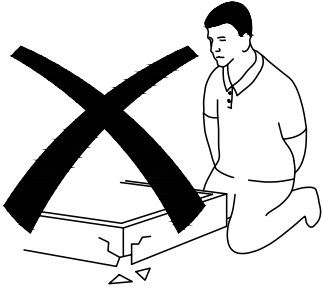
**TOOLS REQUIRED  
FOR ASSEMBLY**



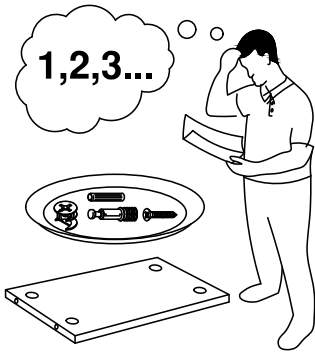
**DONT STRUGGLE  
2 MAN LIFT**



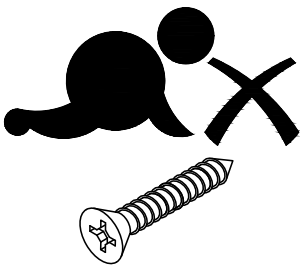
**ALWAYS HANDLE  
ITEMS WITH CARE**



**IF UNSURE CALL  
FOR ASSISTANCE**

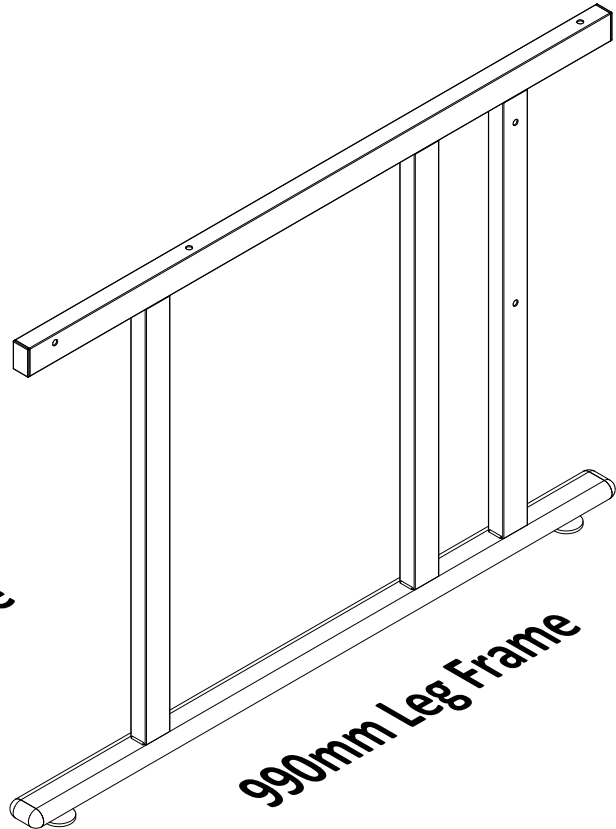
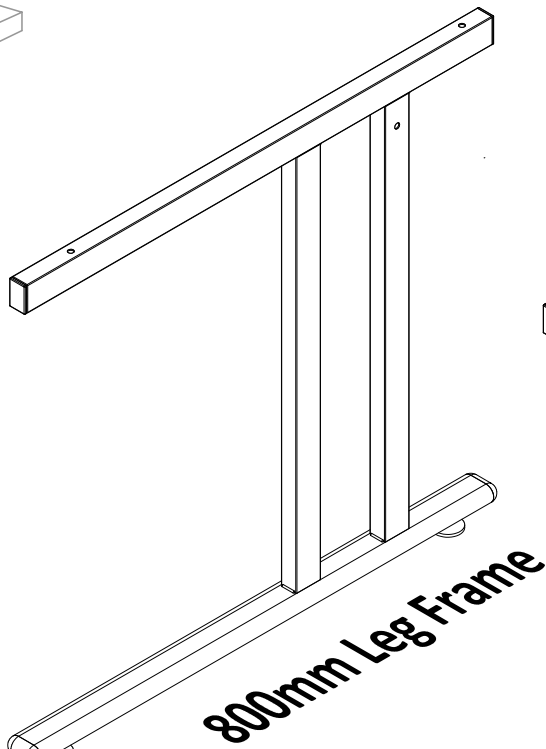
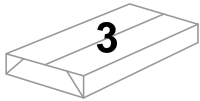
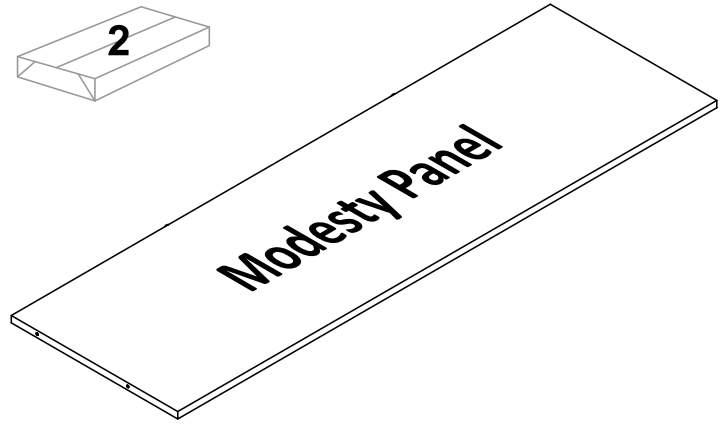
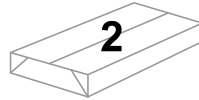
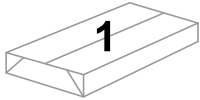


**KEEP FITTINGS AWAY  
FROM CHILDREN**





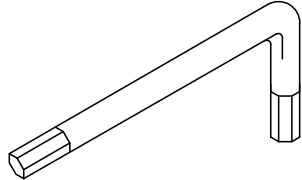
Please check that you have all the components!



Please check that you have all the hardware!

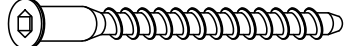
4mm Allen Key  
RM-ALK01

**x1**



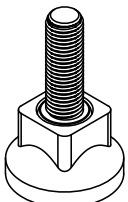
Confirmat Screw 70mm (Silver)  
RM-CFM04

**x4**



Adjustable Foot Dia 38mm  
RM-FRL20

**x4**




Nylon M6x10 Socket  
RM-PAR05

**x4**



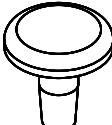
Connect Bolt M6x50mm  
RM-BLT05

**x4**



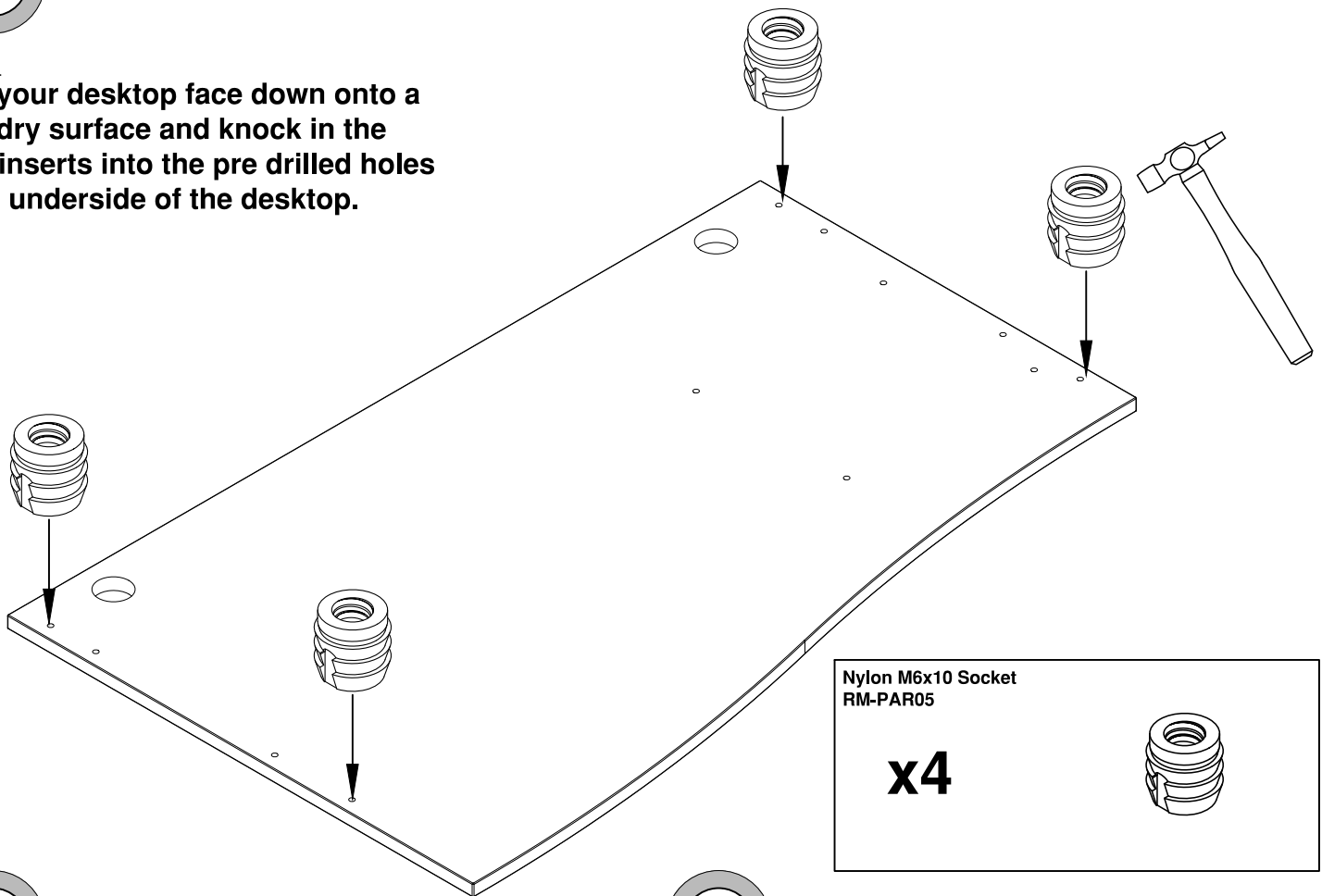
Spacer Peg  
RM-FRL08

**x2**



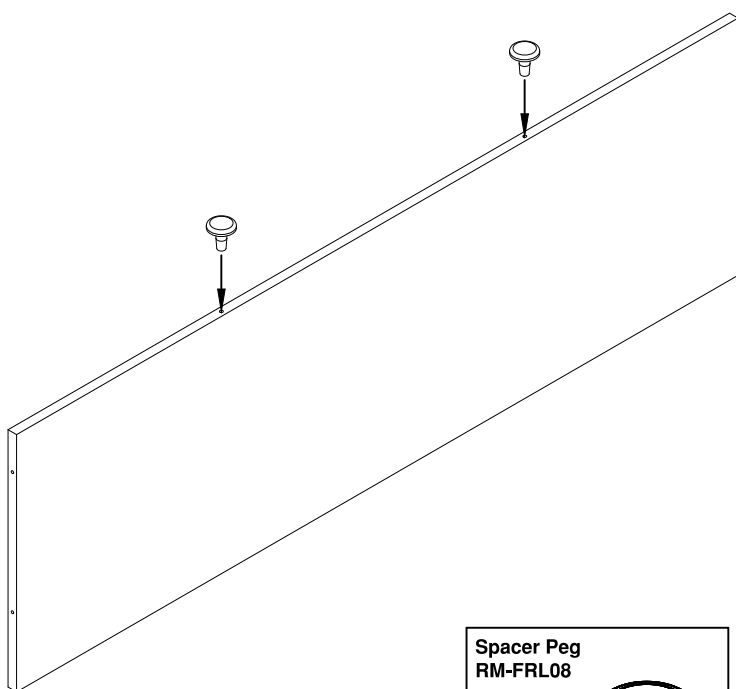
1

**Step 1**  
Place your desktop face down onto a clean dry surface and knock in the nylon inserts into the pre drilled holes on the underside of the desktop.



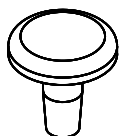
2

**Step 2**  
Insert the spacer pegs into the top of the modesty panel



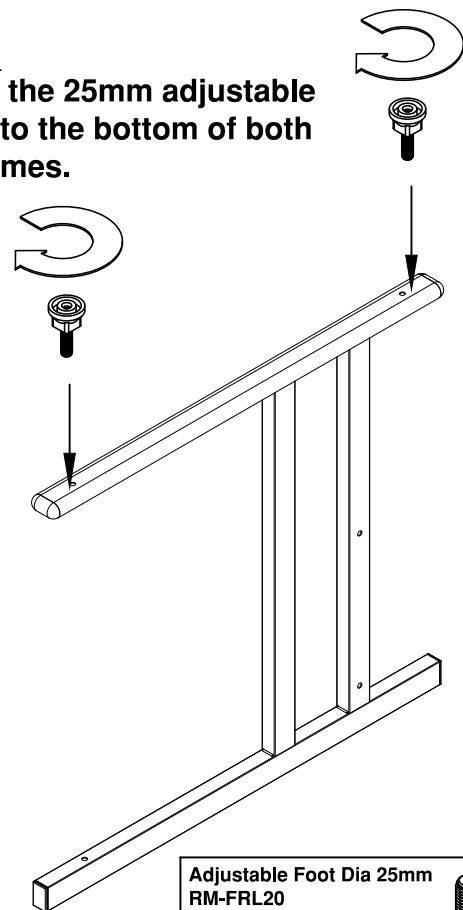
Spacer Peg  
RM-FRL08

x2



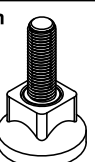
3

**Step 3**  
Screw the 25mm adjustable feet into the bottom of both leg frames.



Adjustable Foot Dia 25mm  
RM-FRL20

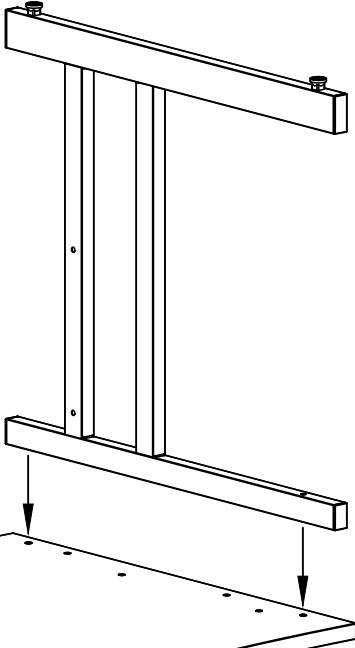
x4



4

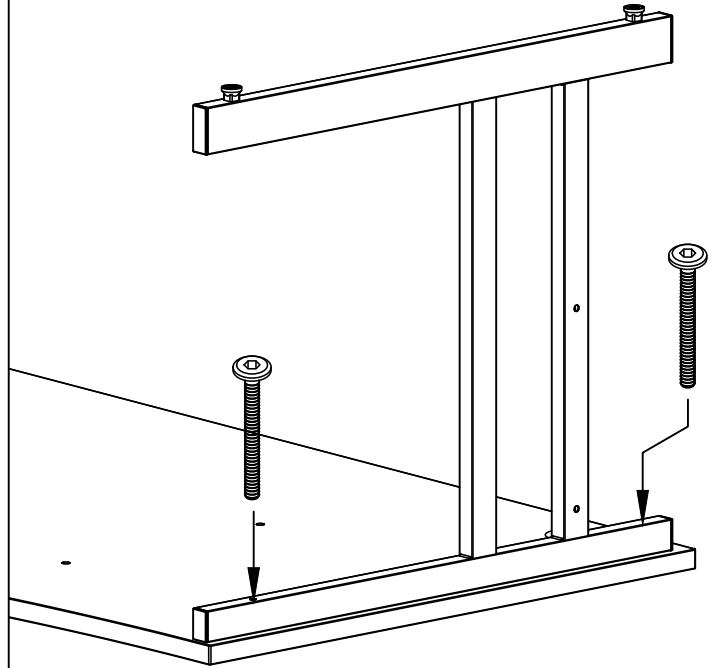
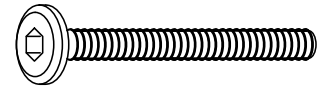
4

**Step 4**  
Attach the 800mm leg frame to the desktop using the M6x50mm connect bolts.



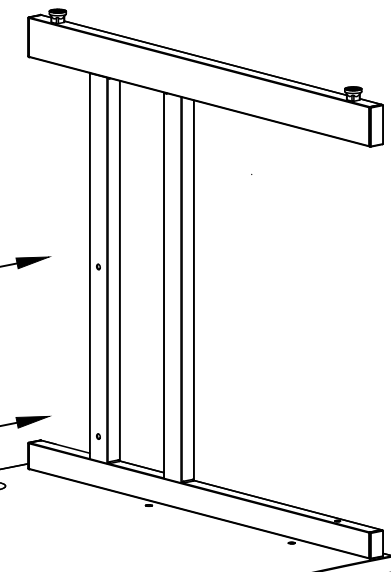
Connect Bolt M6x50mm  
RM-BLT05

x2



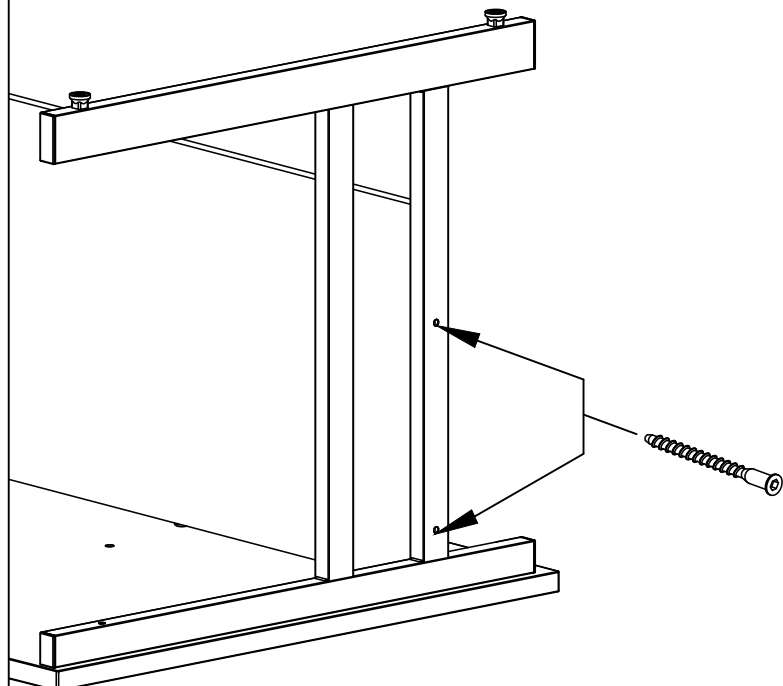
5

**Step 5**  
Attach the modesty panel to the leg using the 70mm confirmat screws.



Confirmat Screw 70mm (Silver)  
RM-CFM04

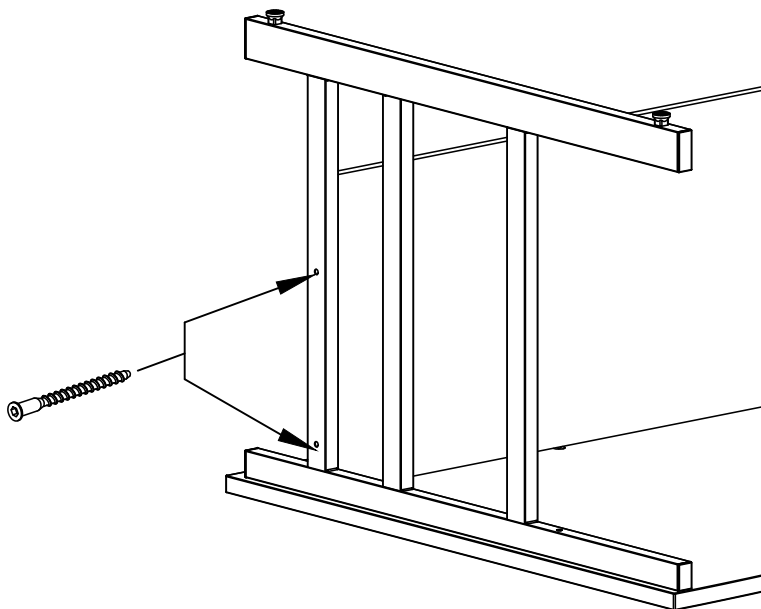
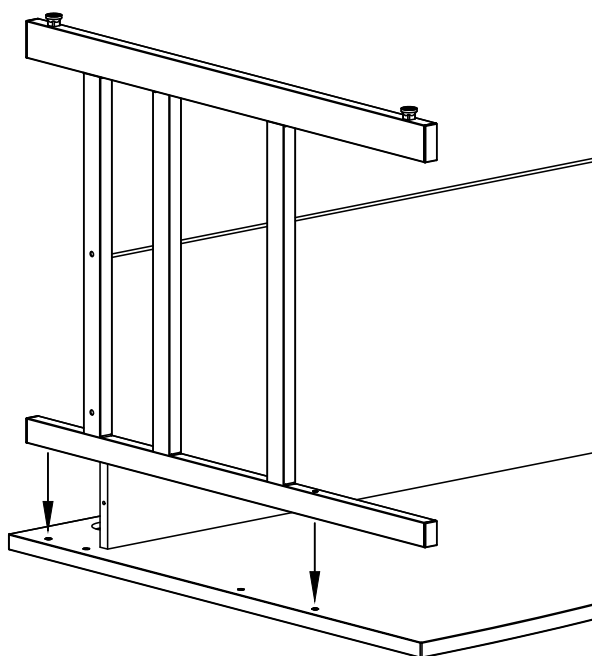
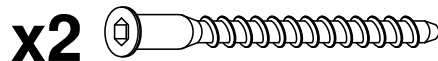
x2



6

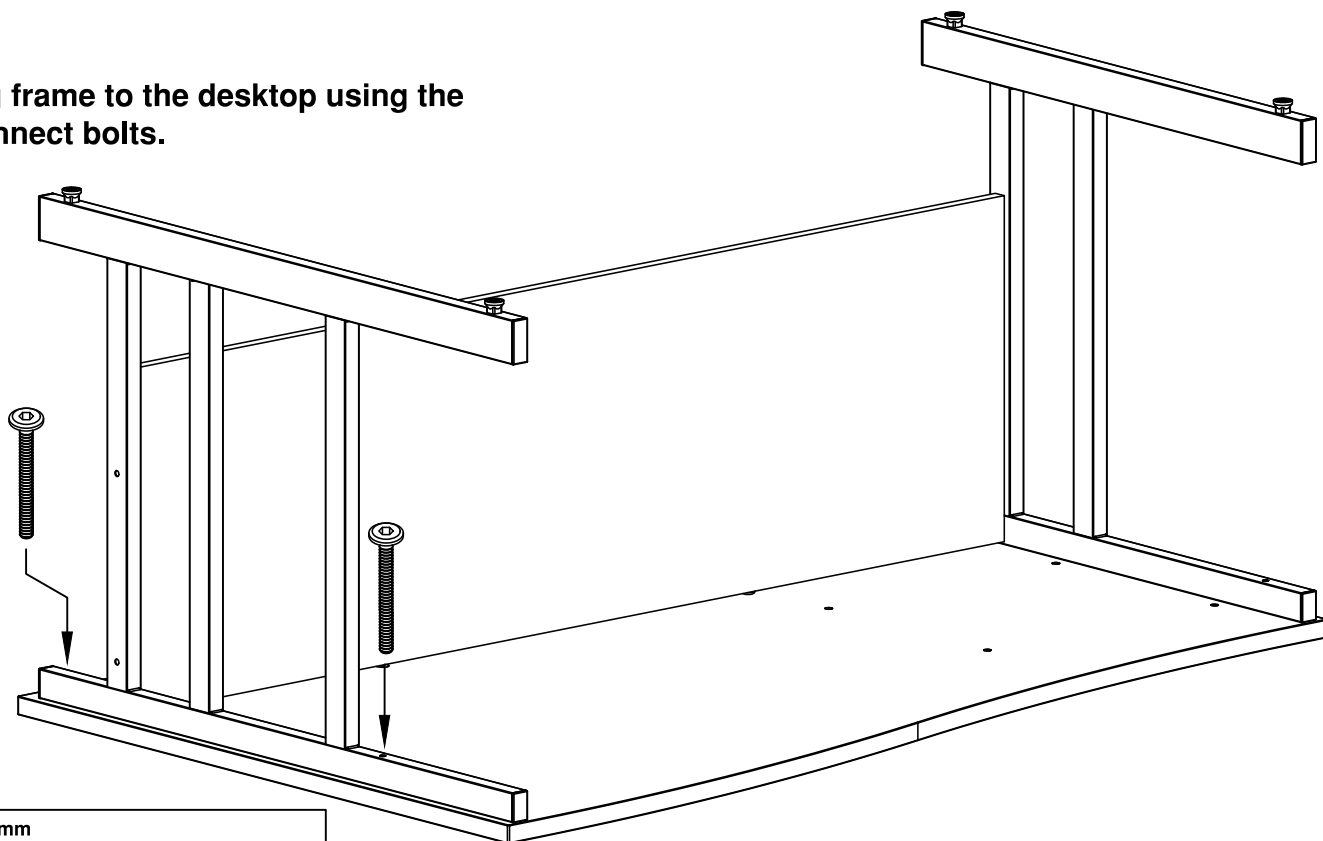
**Step 6**  
Place the RH leg frame onto the desktop and attach to the modesty panel using the 70mm confirmat screws.

Confirmat Screw 70mm (Silver)  
RM-CFM04



7

**Step 7**  
Attach the leg frame to the desktop using the M6x50mm connect bolts.



Connect Bolt M6x50mm  
RM-BLT05

