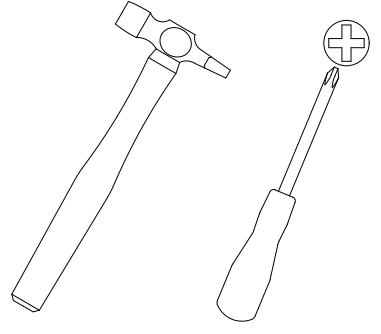
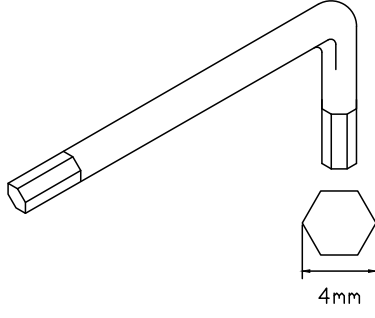
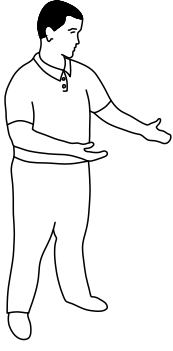
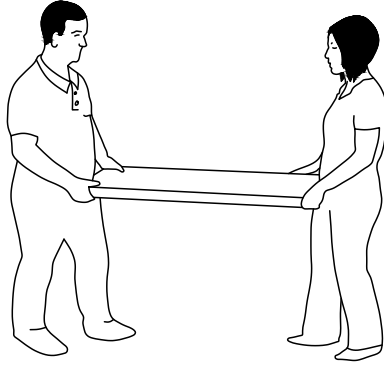
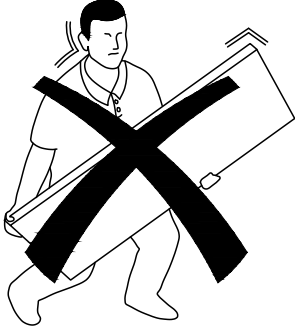


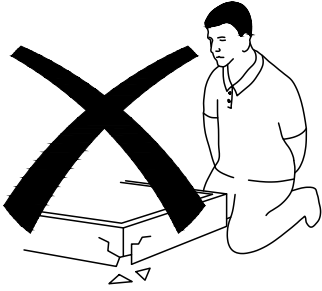
**TOOLS REQUIRED
FOR ASSEMBLY**



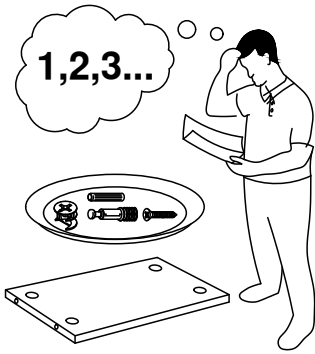
**DON'T STRUGGLE
2 MAN LIFT**



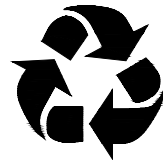
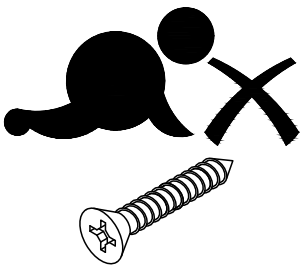
**ALWAYS HANDLE
ITEMS WITH CARE**



**IF UNSURE CALL
FOR ASSISTANCE**

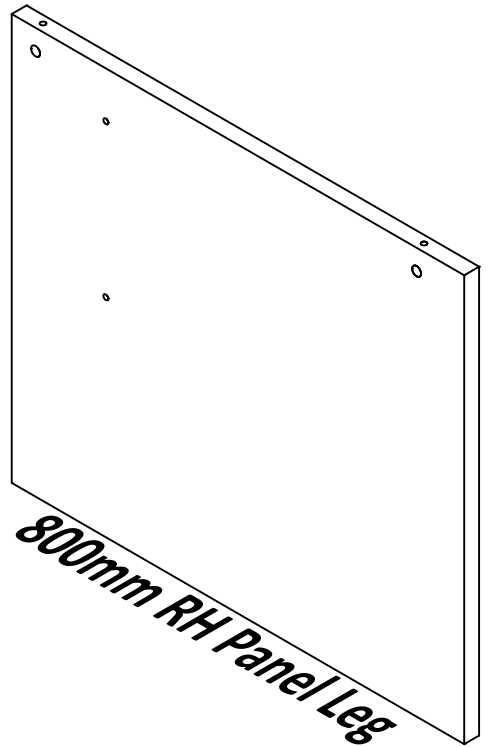
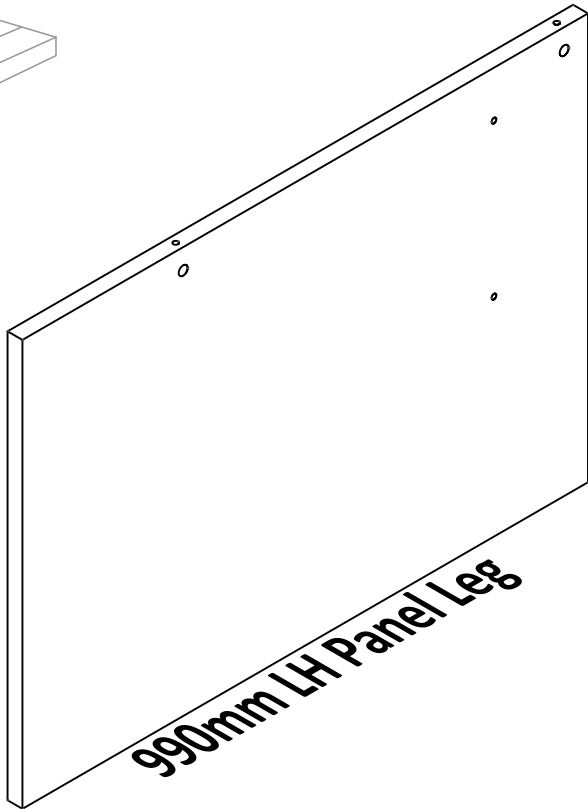
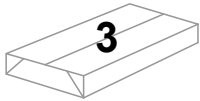
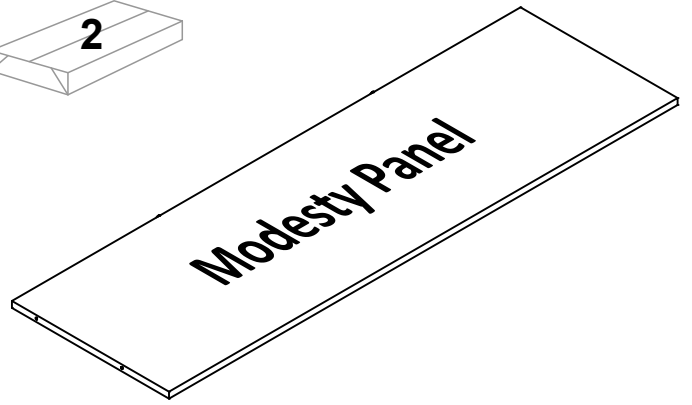
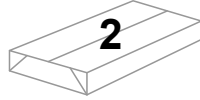
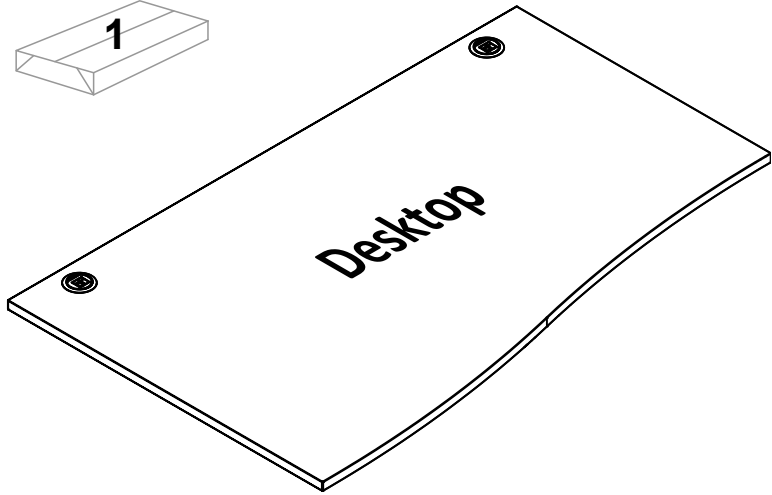
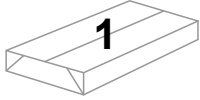


**KEEP FITTINGS AWAY
FROM CHILDREN**

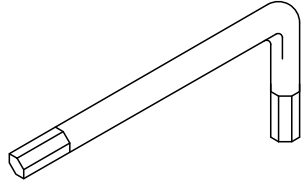
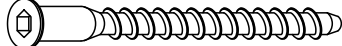
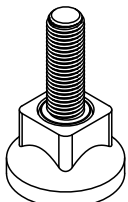
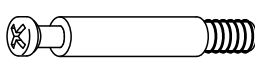


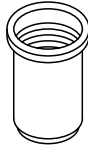




Please check that you have all the components!

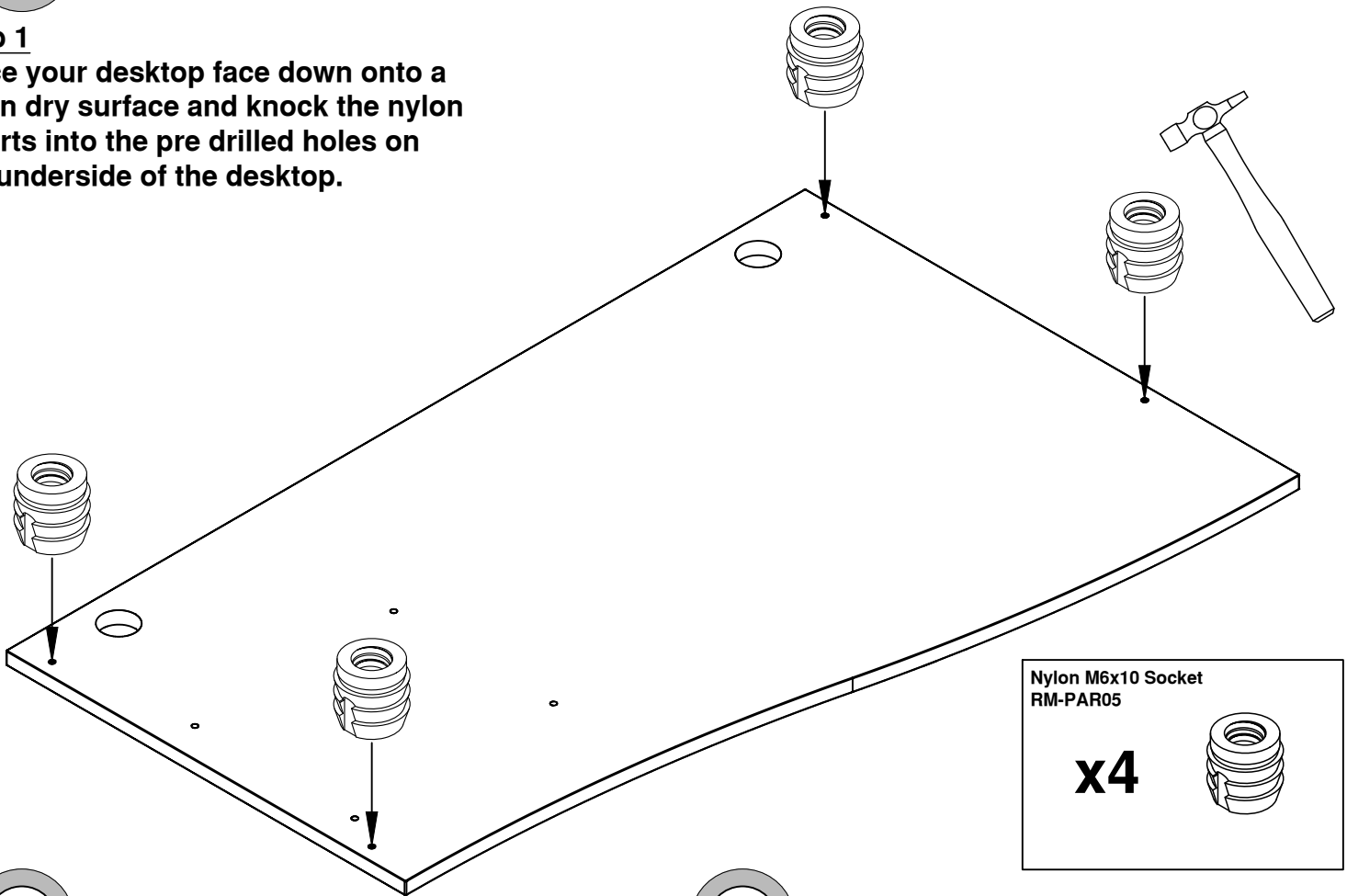


Please check that you have all the hardware!

<p>4mm Allen Key RM-ALK01</p> <p>x1</p> 	<p>Confirmat Screw 70mm (Silver) RM-CFM04</p> <p>x4</p> 	<p>Adjustable Foot Dia 25mm RM-FRL19</p> <p>x4</p> 	
<p>M6x34mm Minifix Bolt RM-BLT07</p> <p>x4</p> 	<p>Nylon M6x10 Socket RM-PAR05</p> <p>x4</p> 	<p>15mm Minifix Cam RM-CAM03</p> <p>x4</p> 	<p>M8 Gesipa Insert RM-NUT04</p> <p>x4</p> 

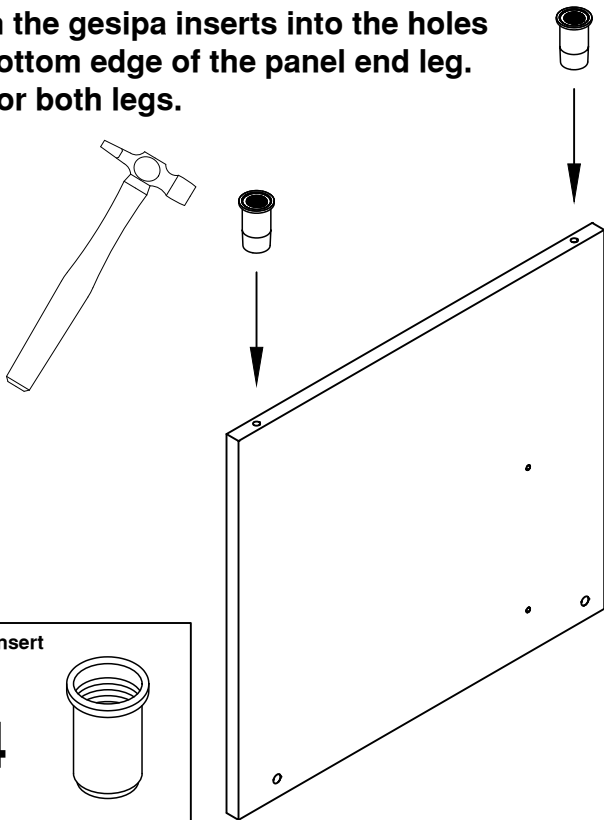
1

Step 1
Place your desktop face down onto a clean dry surface and knock the nylon inserts into the pre drilled holes on the underside of the desktop.



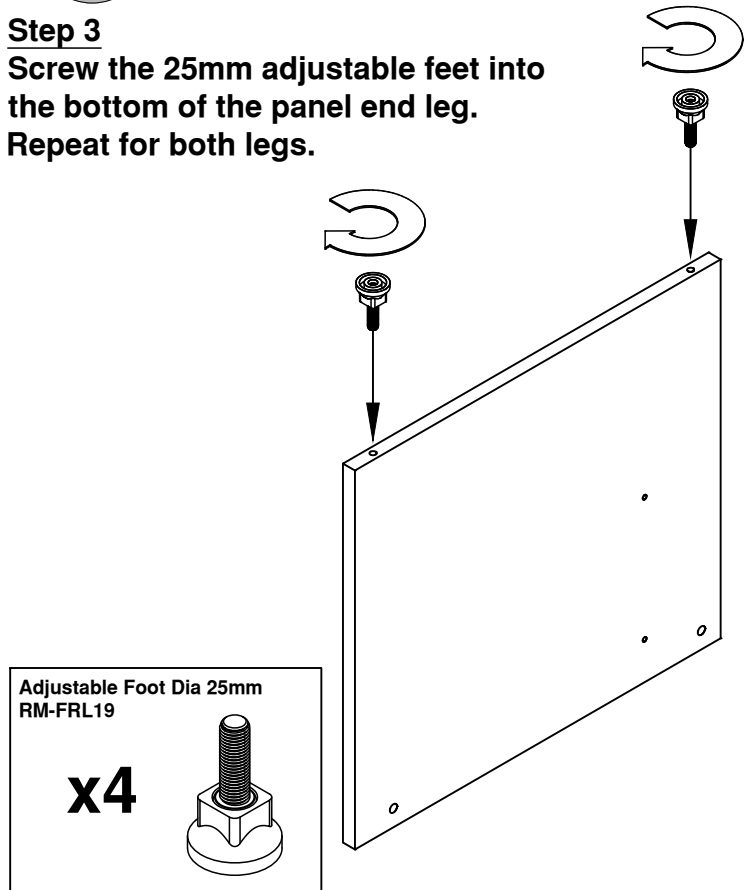
2

Step 2
Knock in the gesipa inserts into the holes on the bottom edge of the panel end leg. Repeat for both legs.



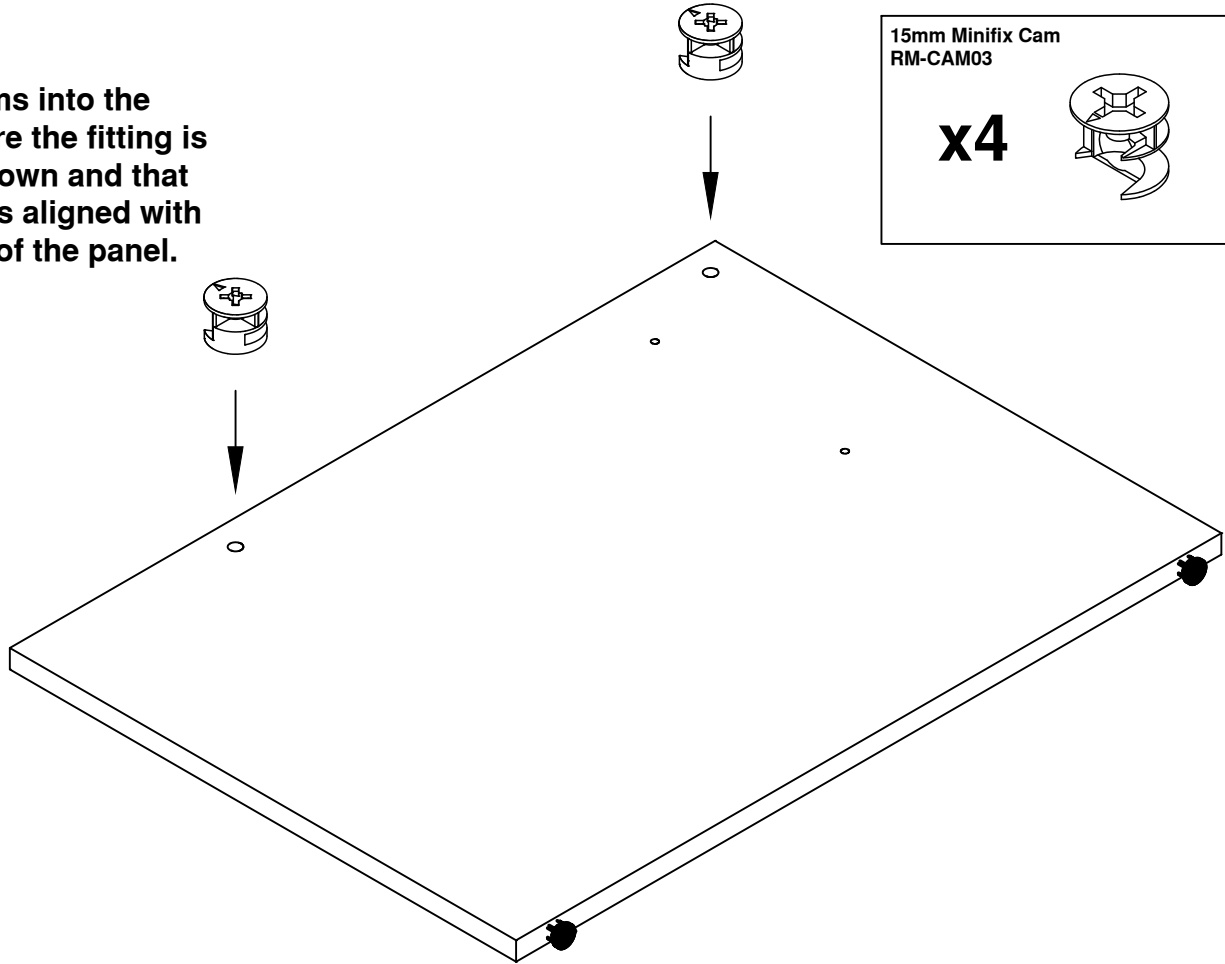
3

Step 3
Screw the 25mm adjustable feet into the bottom of the panel end leg. Repeat for both legs.



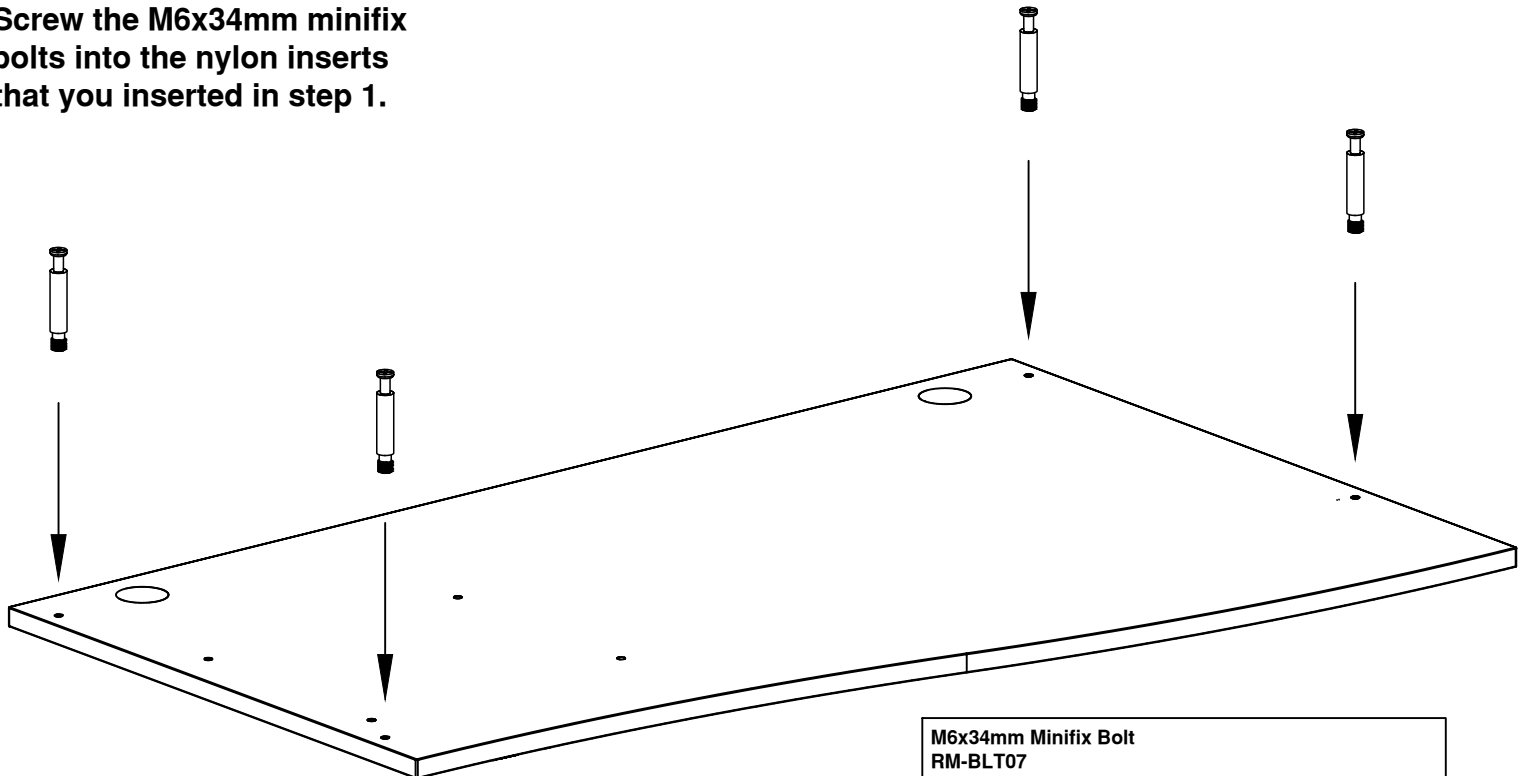
4

Step 4
Insert the minifix cams into the panel end leg. Ensure the fitting is pushed all the way down and that the arrow guideline is aligned with the hole in the edge of the panel. Repeat for both legs.



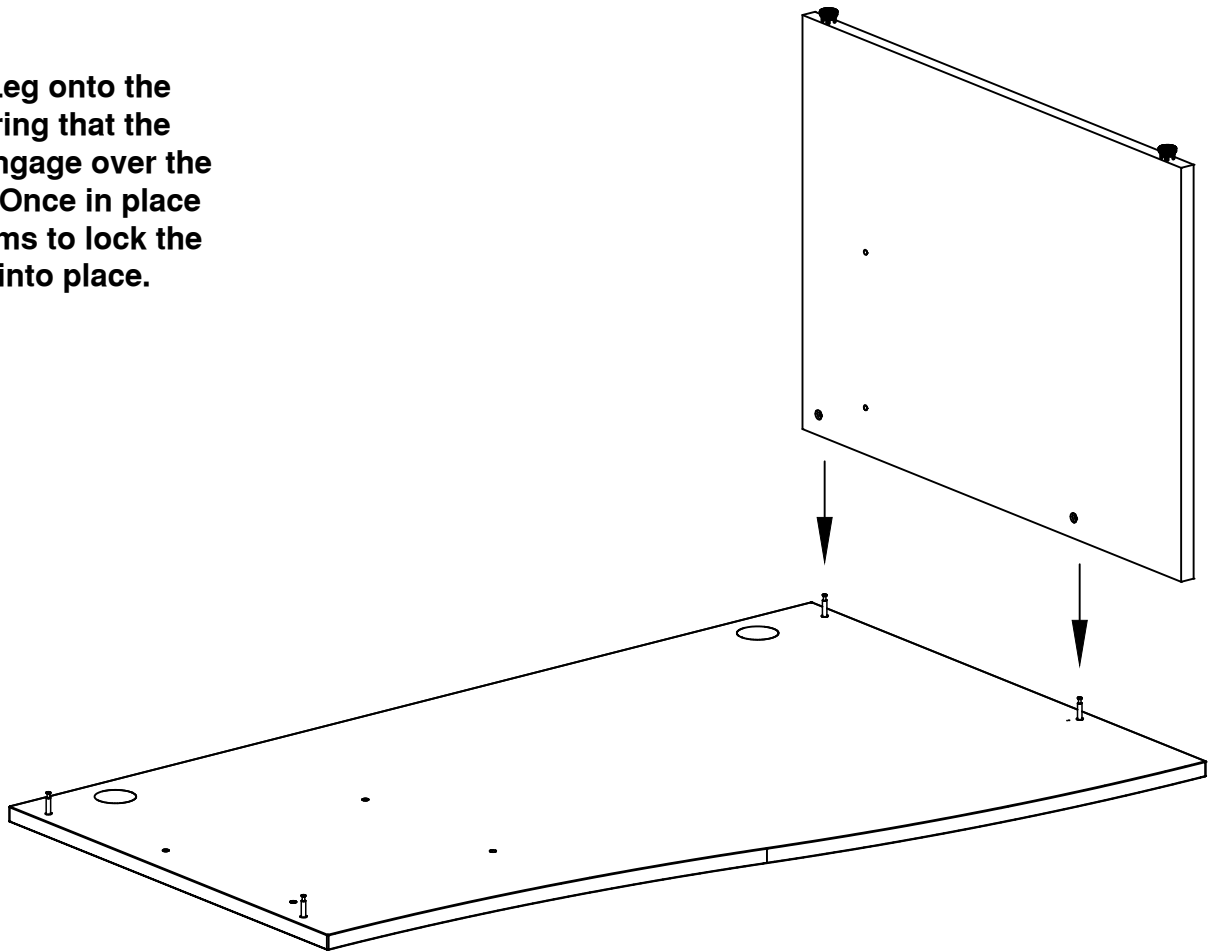
5

Step 5
Screw the M6x34mm minifix bolts into the nylon inserts that you inserted in step 1.



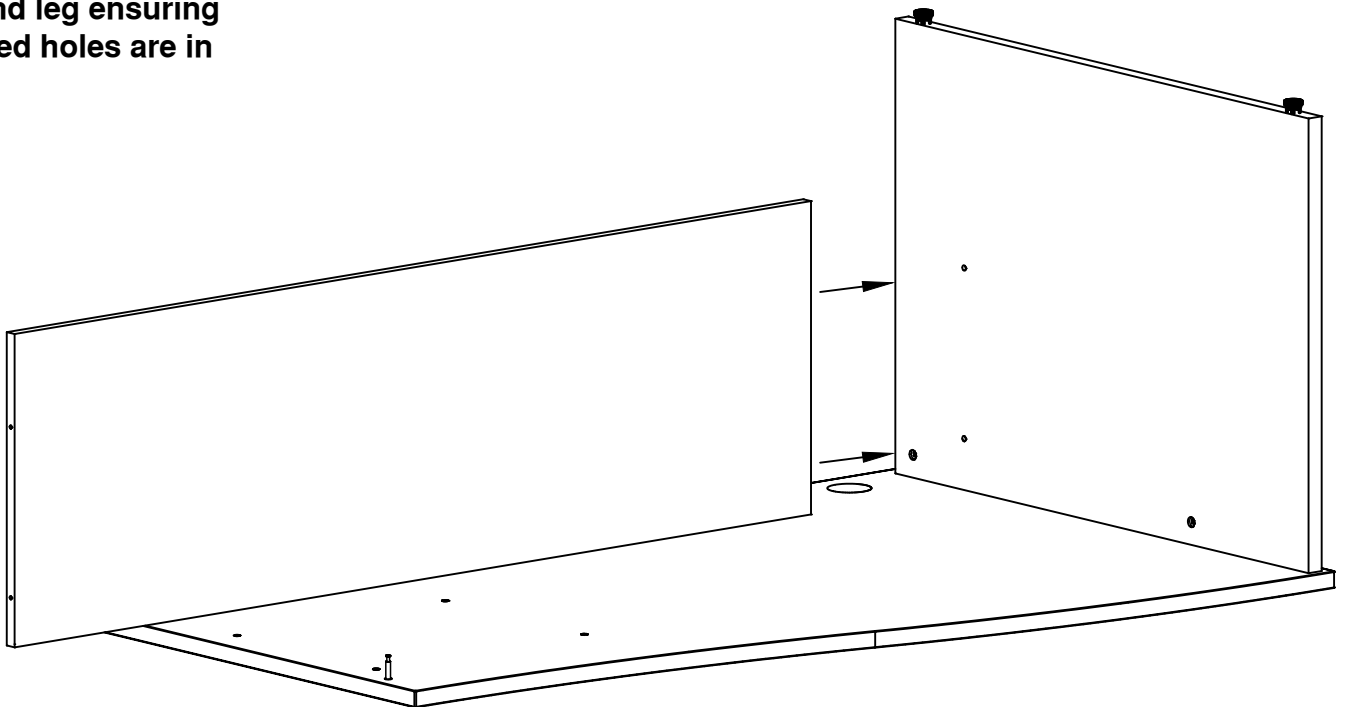
6

Step 6
Place the LH Leg onto the desktop ensuring that the cam fittings engage over the minifix bolts. Once in place tighten the cams to lock the panel end leg into place.



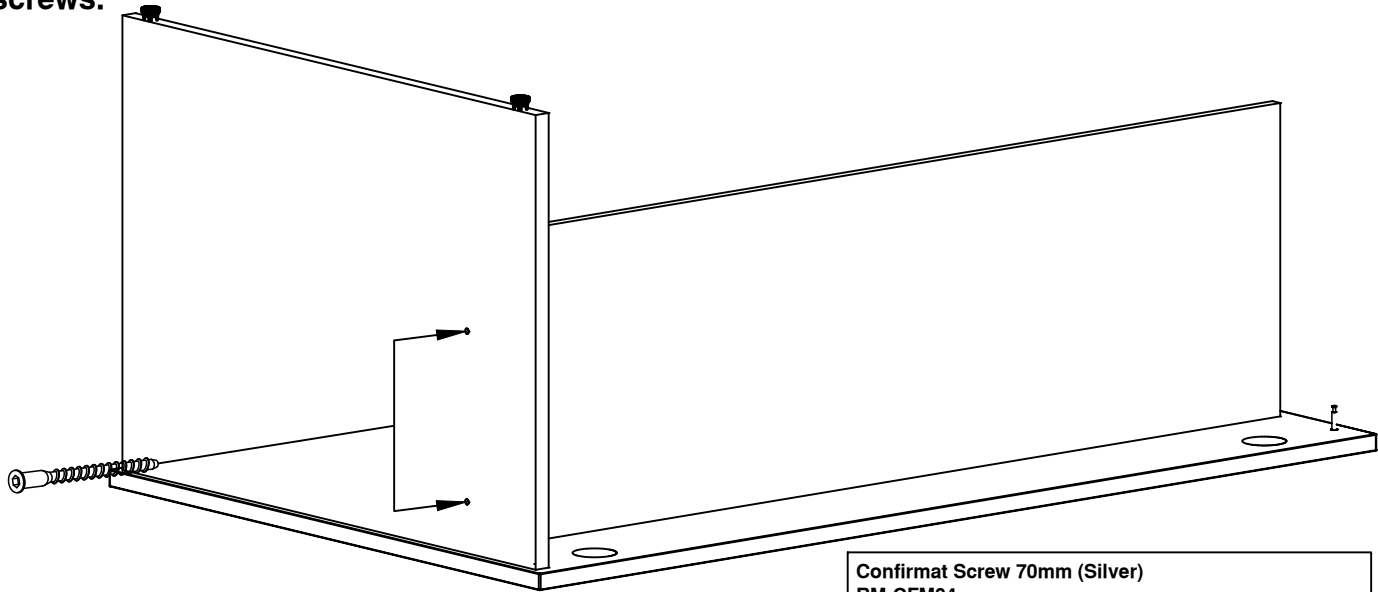
7

Step 7
Line the back panel up with the panel end leg ensuring the pre drilled holes are in aligned.

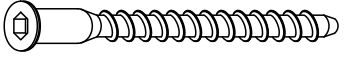


8

Step 8
Attach the leg panel to the back panel using the 70mm confirmat screws.

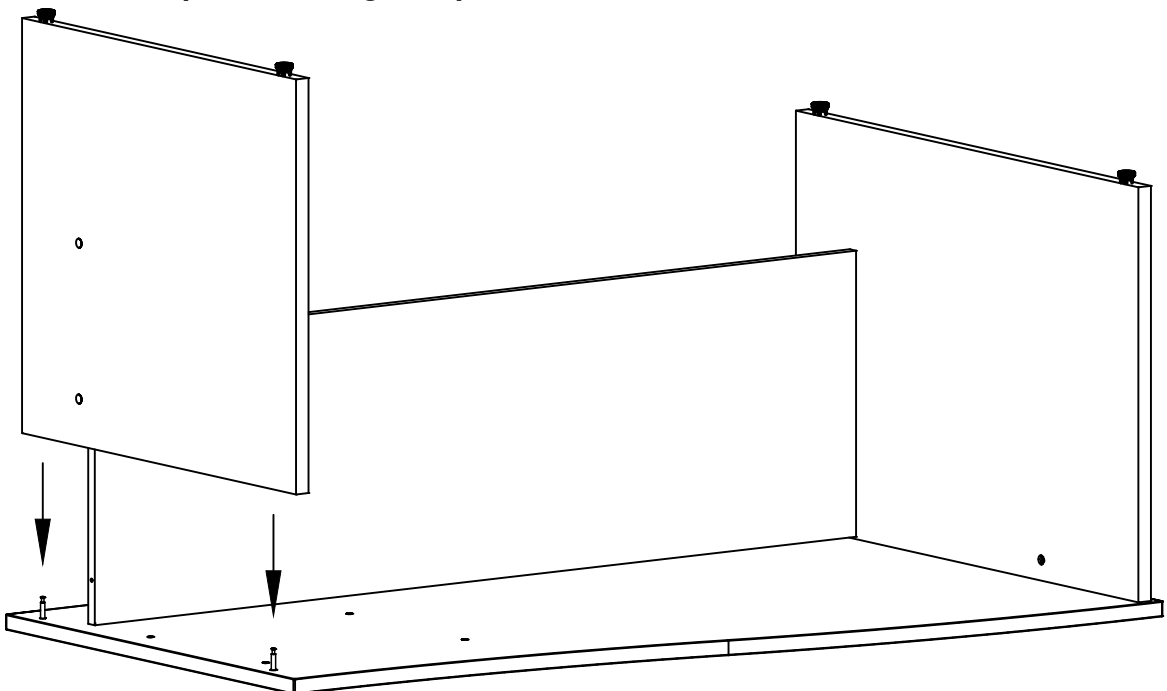


Confirmat Screw 70mm (Silver)
RM-CFM04

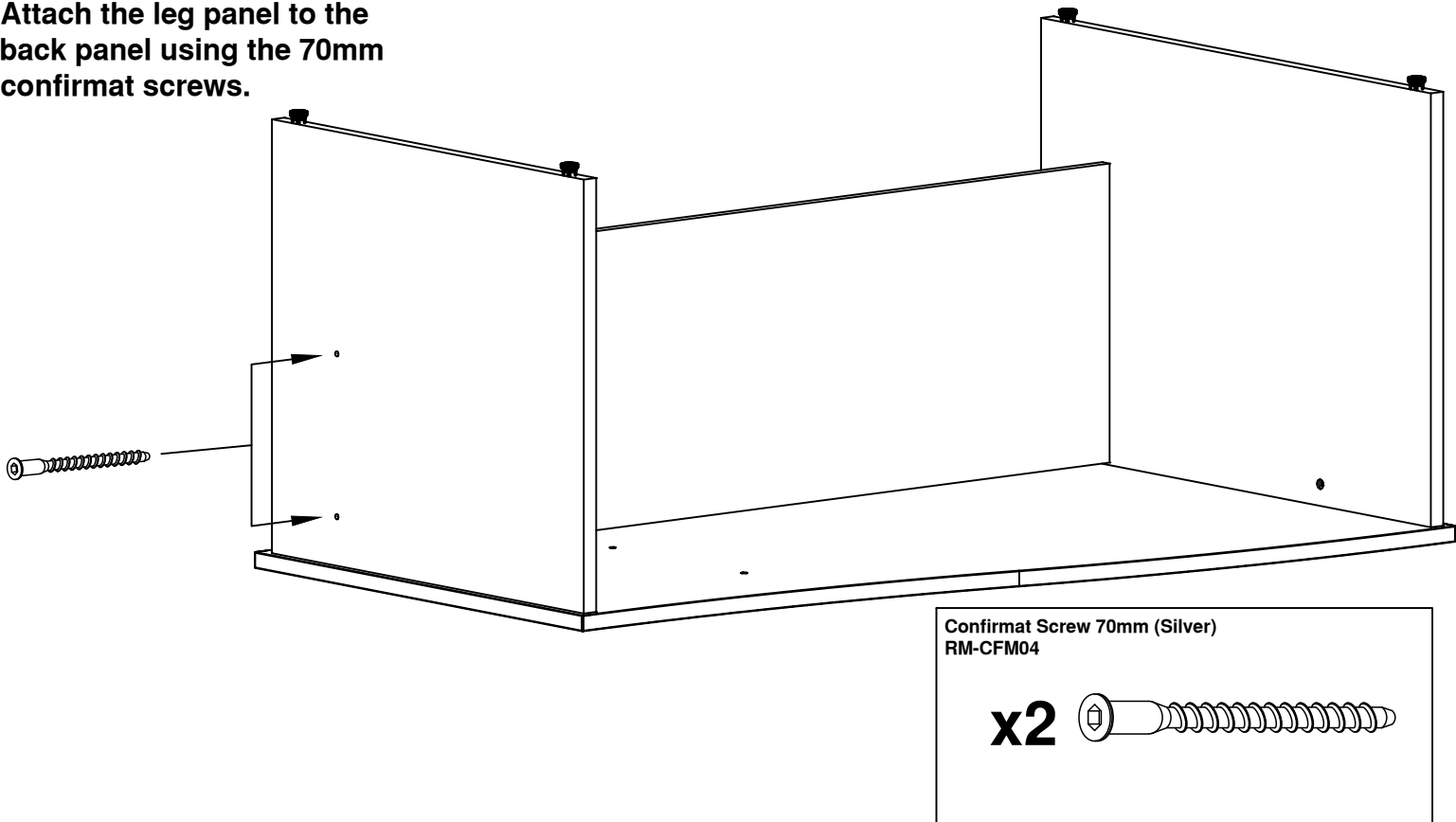
x2 

9

Step 9
Place the remaining leg onto the desktop ensuring that the cam fittings engage over the minifix bolts. Once in place tighten the cams to lock the panel end leg into place.



Step 10
Attach the leg panel to the back panel using the 70mm confirmat screws.



Matching adhesive caps are provided to cover any visible screw heads or cam fittings.

