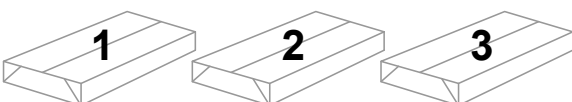
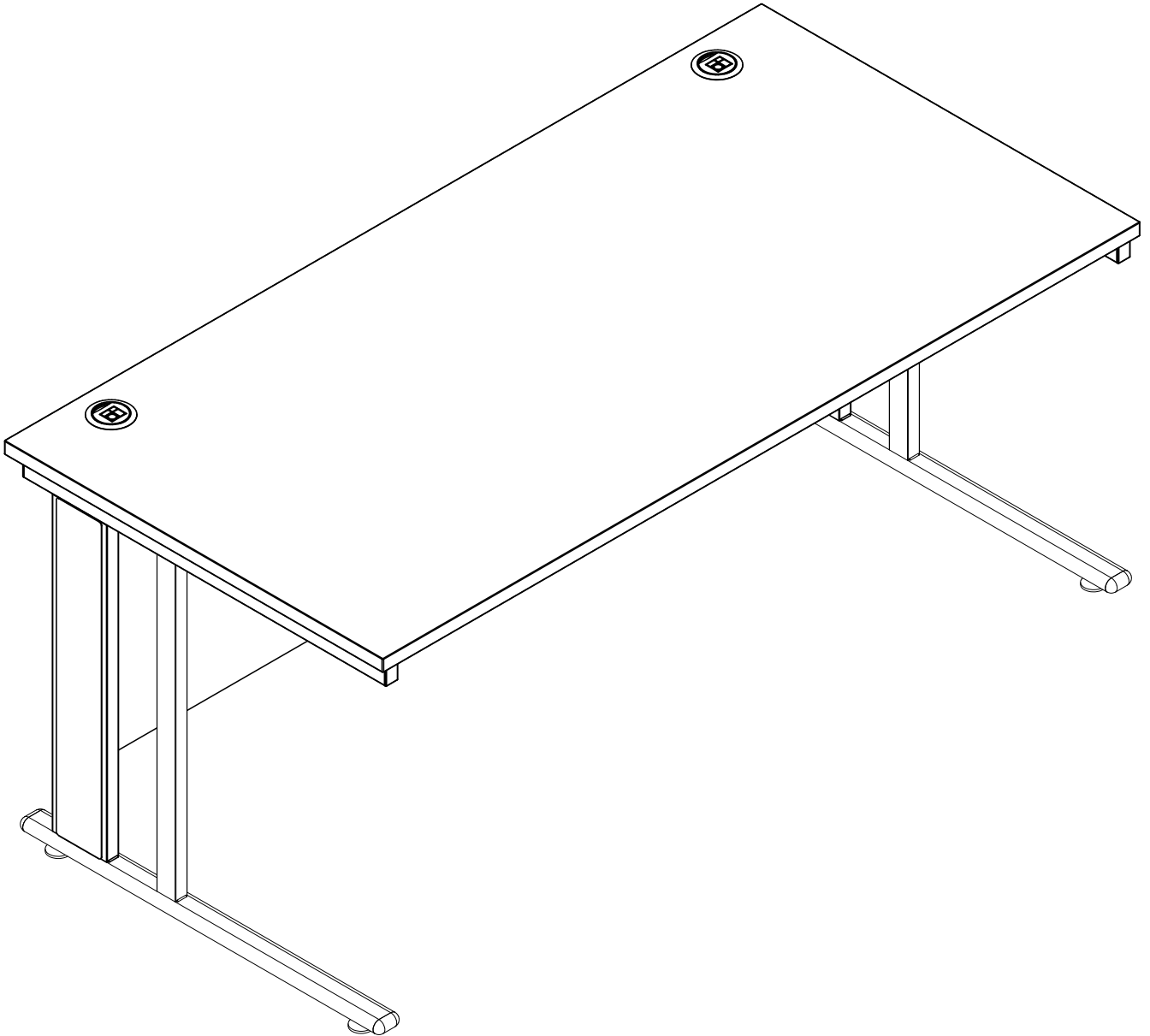
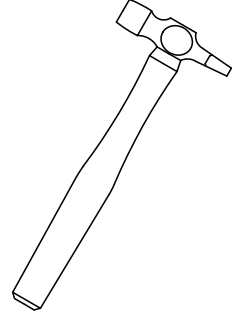
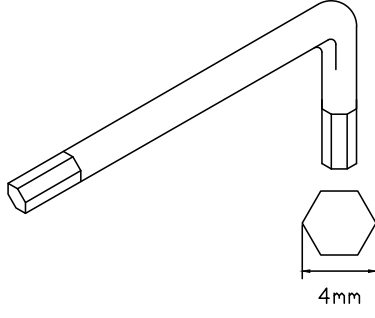
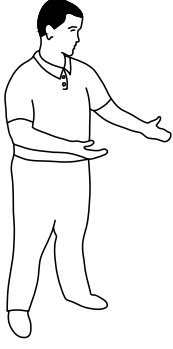


MCM258

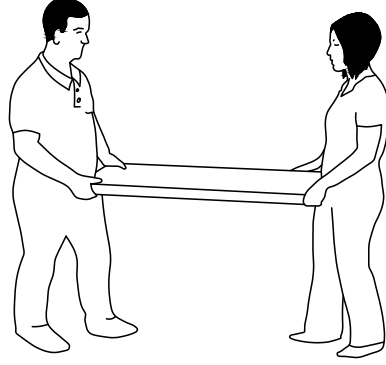
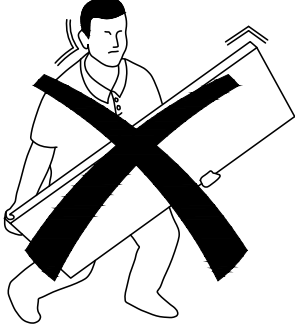
800mm Cable Managed Leg Frame



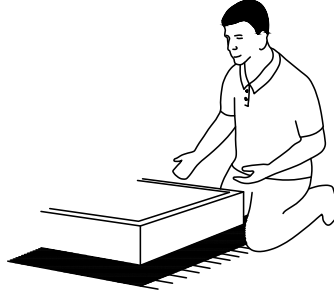
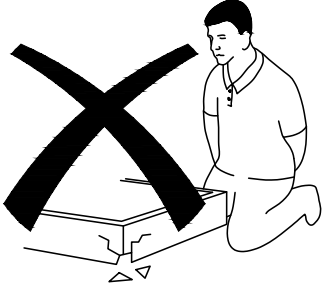
**TOOLS REQUIRED
FOR ASSEMBLY**



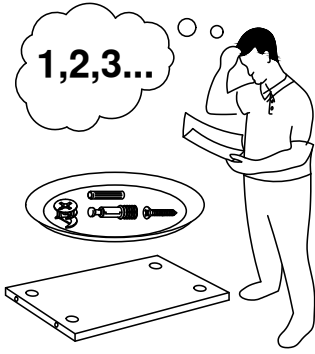
**DONT STRUGGLE
2 MAN LIFT**



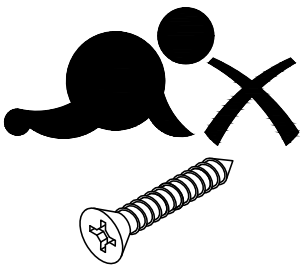
**ALWAYS HANDLE
ITEMS WITH CARE**



**IF UNSURE CALL
FOR ASSISTANCE**

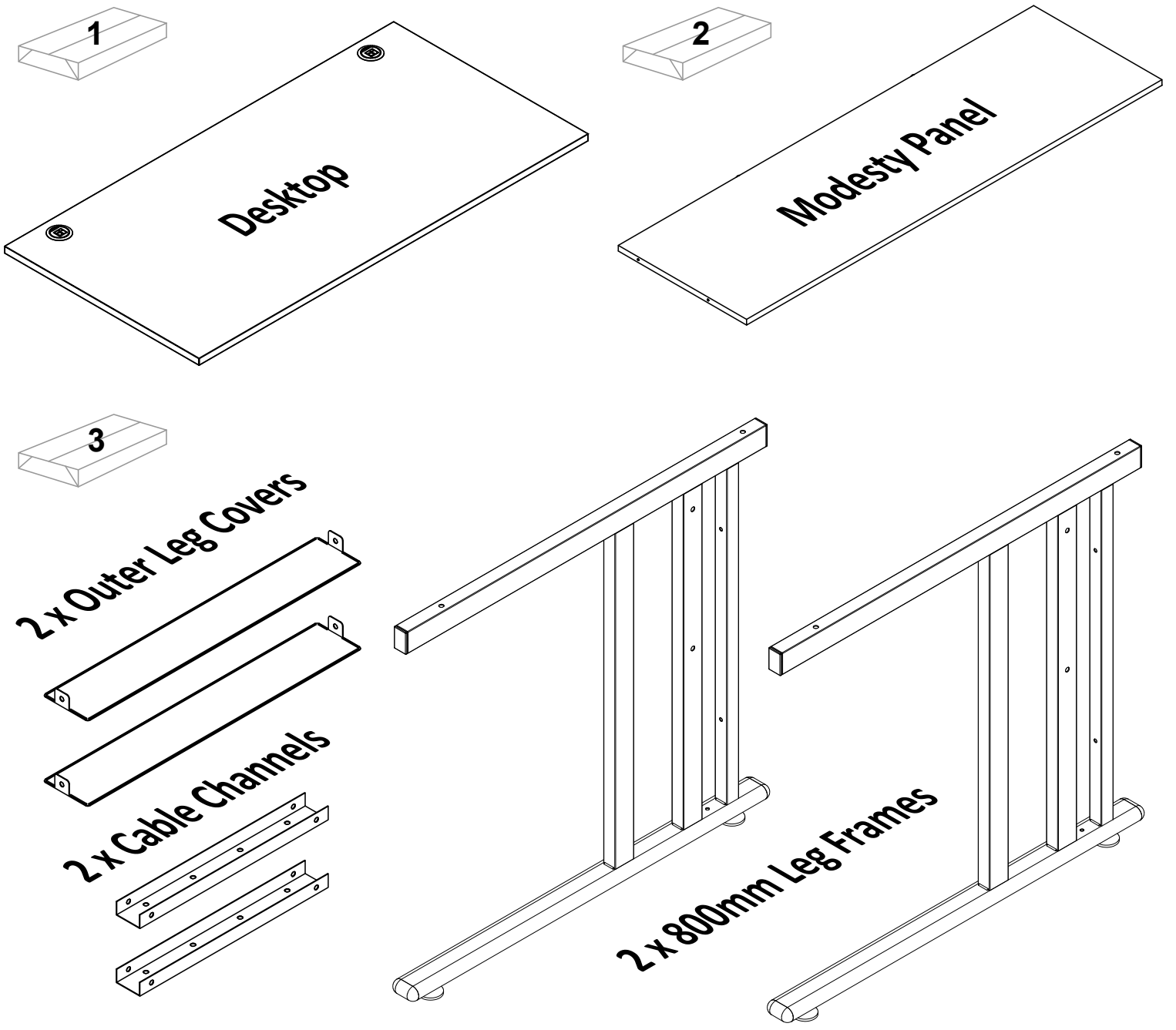


**KEEP FITTINGS AWAY
FROM CHILDREN**

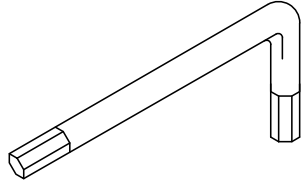

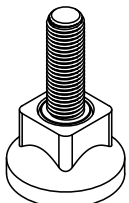

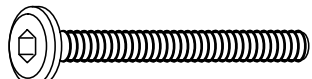
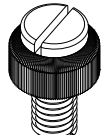
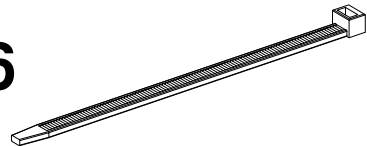




Please check that you have all the components!

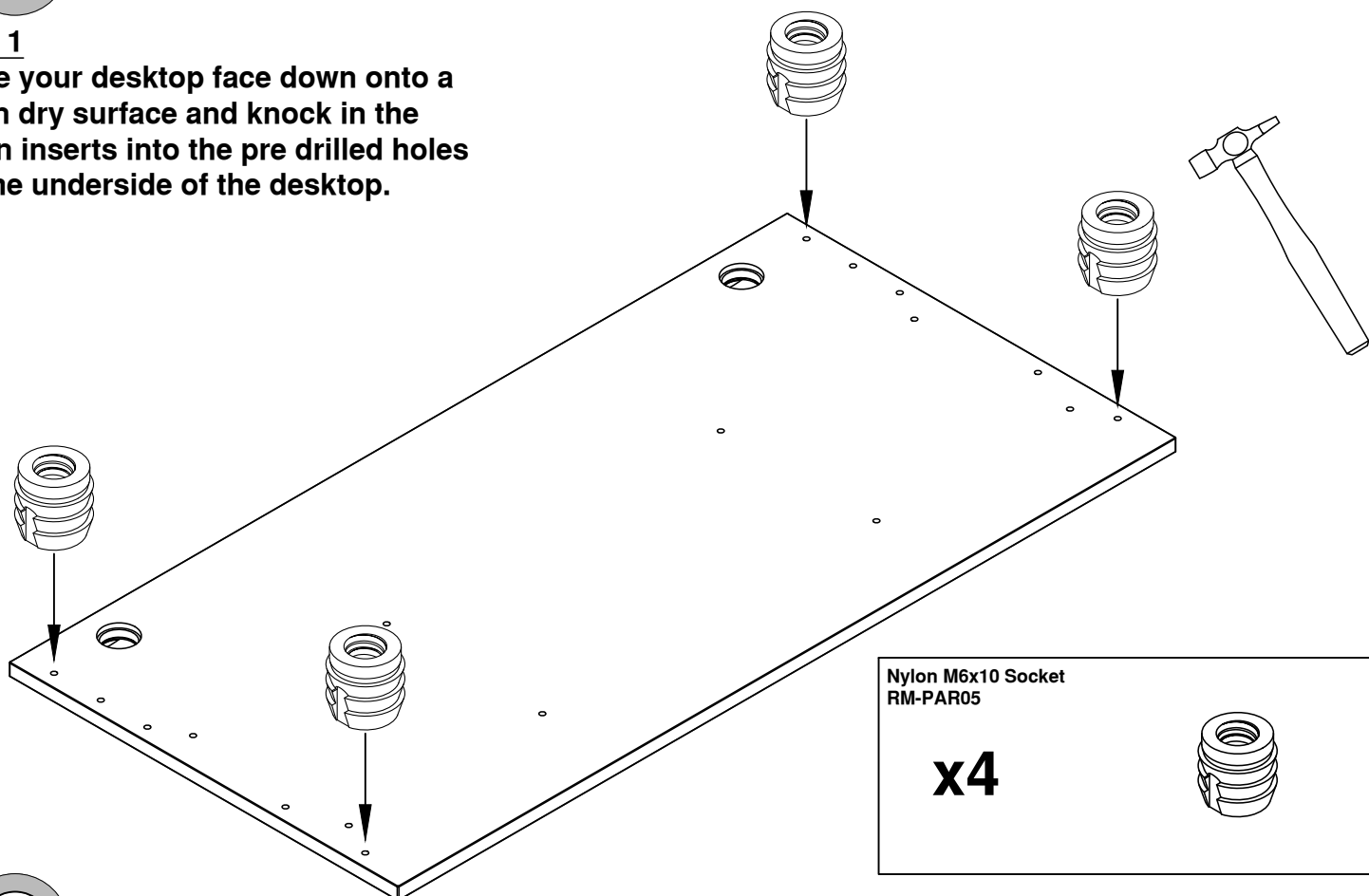


Please check that you have all the hardware!

| | | | |
|---|---|---|---|
| <p>4mm Allen Key RM-ALK01</p> <p>x1</p>  | <p>Confirmat Screw 70mm (Silver) RM-CFM04</p> <p>x4</p>  | <p>Adjustable Foot Dia 38mm RM-FRL20</p> <p>x4</p>  | |
| <p>Nylon M6x10 Socket RM-PAR05</p> <p>x4</p>  | <p>Connect Bolt M6x50mm RM-BLT05</p> <p>x4</p>  | <p>M6x10mm Thumbscrew</p> <p>x12</p>  | <p>Cable Tie</p> <p>x6</p>  |

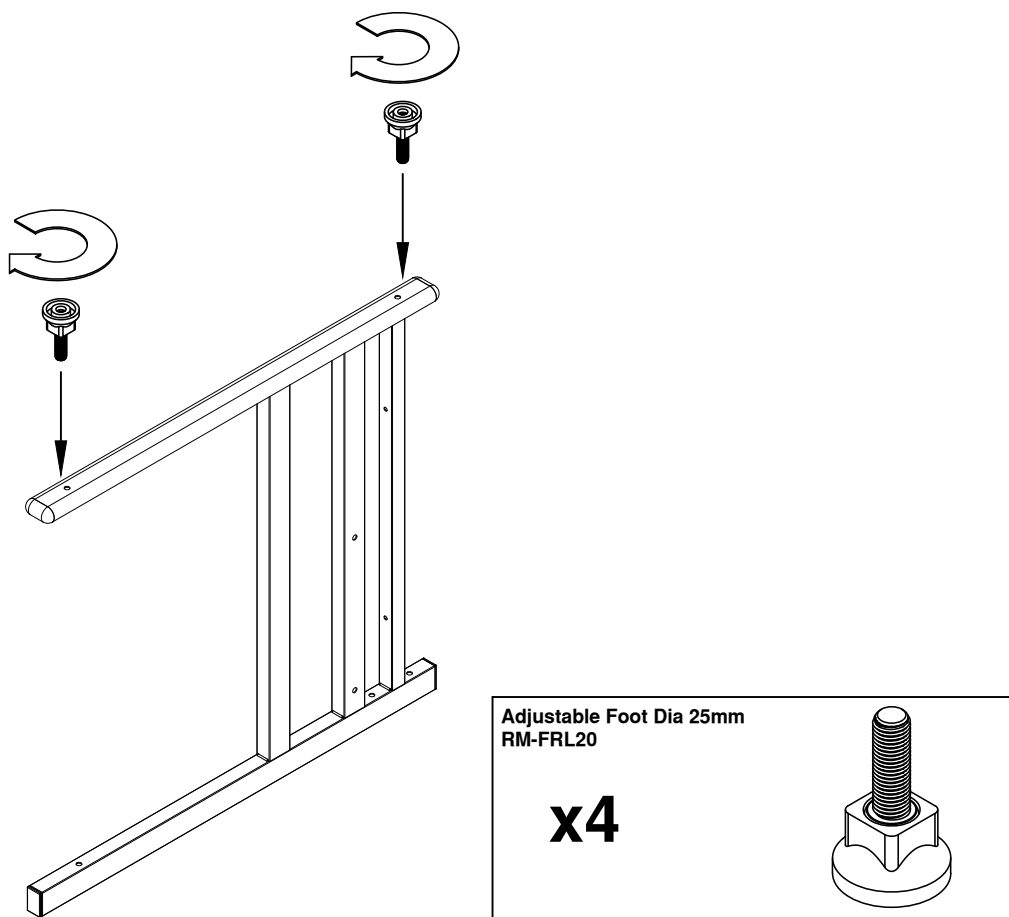
1

Step 1
Place your desktop face down onto a clean dry surface and knock in the nylon inserts into the pre drilled holes on the underside of the desktop.



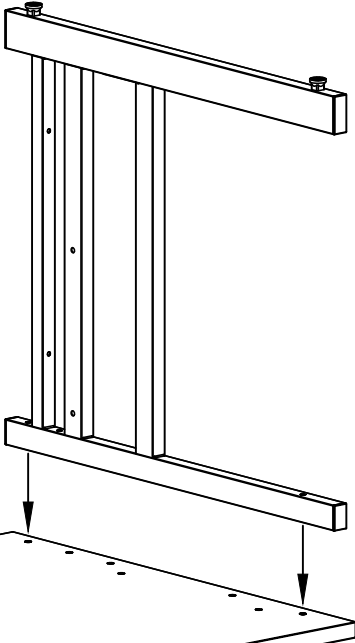
2

Step 2
Screw the 25mm adjustable feet into the bottom of both leg frames.



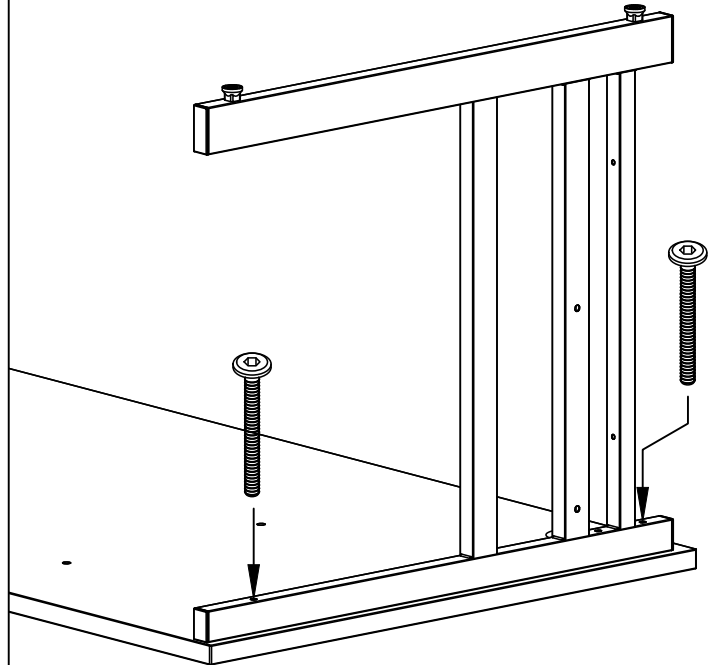
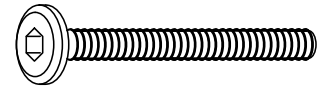
3

Step 3
Attach the LH leg to the desktop using the M6x50mm connect bolts.



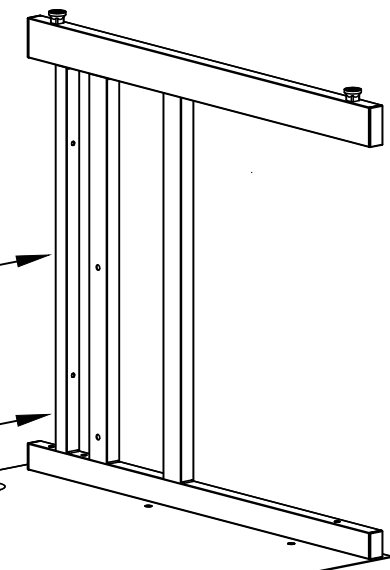
Connect Bolt M6x50mm
RM-BLT05

x2



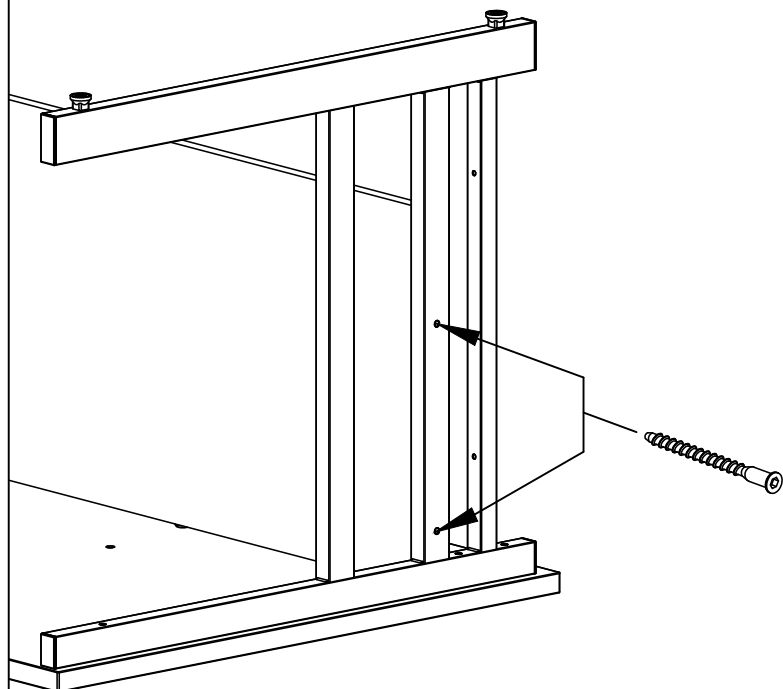
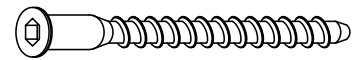
4

Step 4
Attach the modesty panel to the leg using the 70mm confirmat screws.



Confirmat Screw 70mm (Silver)
RM-CFM04

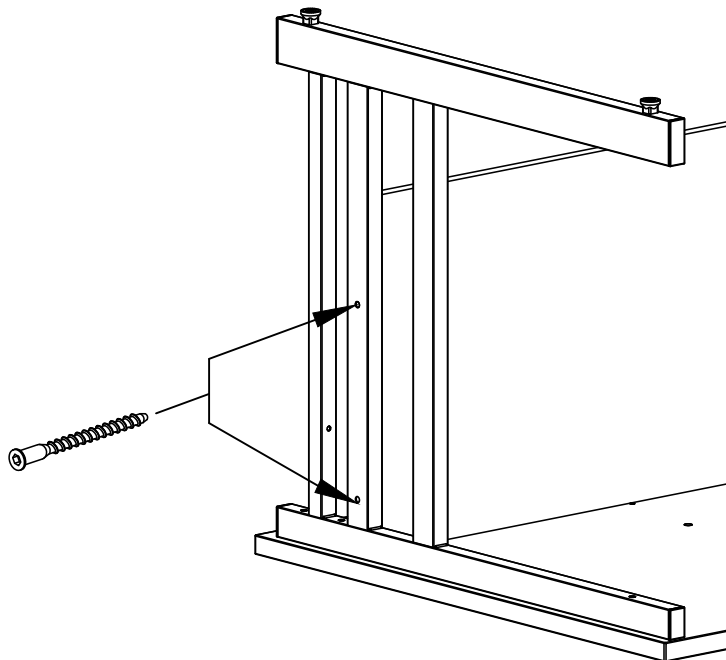
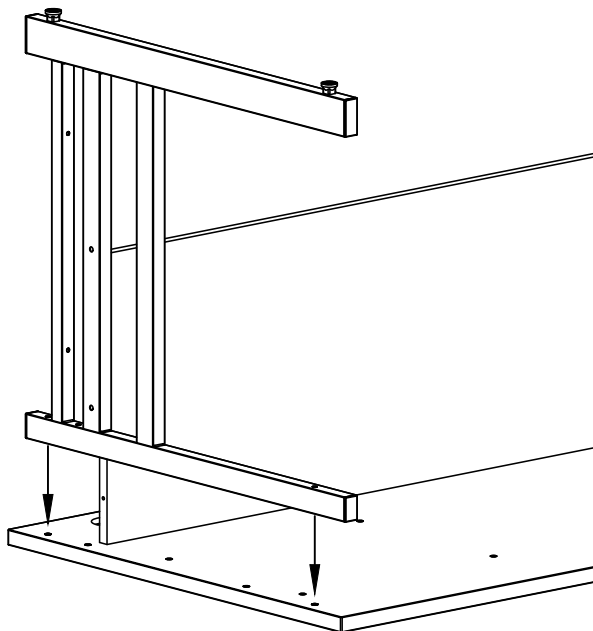
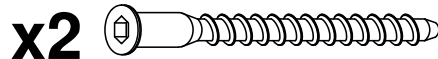
x2



5

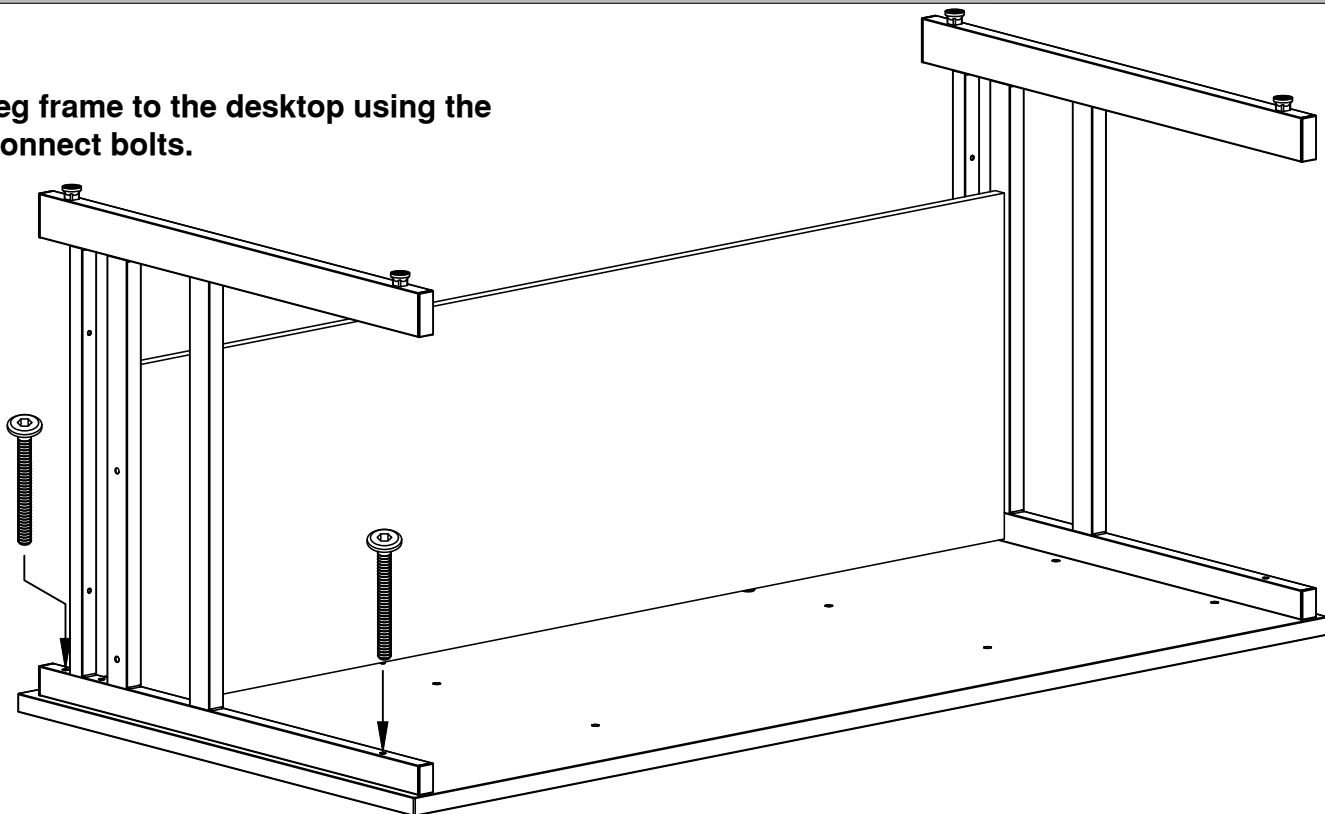
Step 5
Place the RH leg frame onto the desktop and attach to the modesty panel using the 70mm confirmat screws.

Confirmat Screw 70mm (Silver)
RM-CFM04

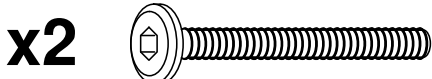


6

Step 6
Attach the leg frame to the desktop using the M6x50mm connect bolts.



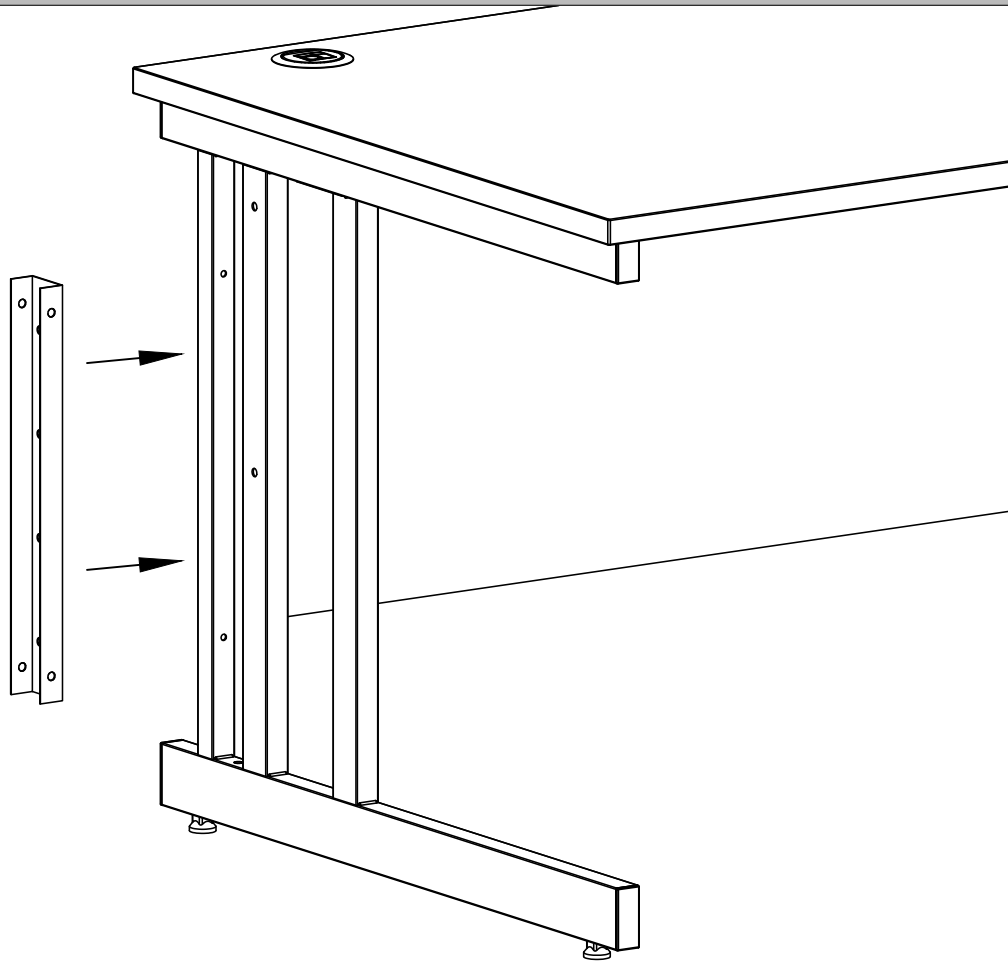
Connect Bolt M6x50mm
RM-BLT05



7

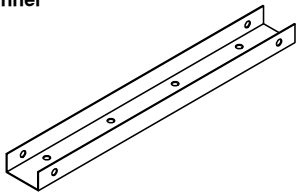
Step 7
Insert the cable channel into the opening between the uprights.

Repeat this step for both legs.



Cable Channel

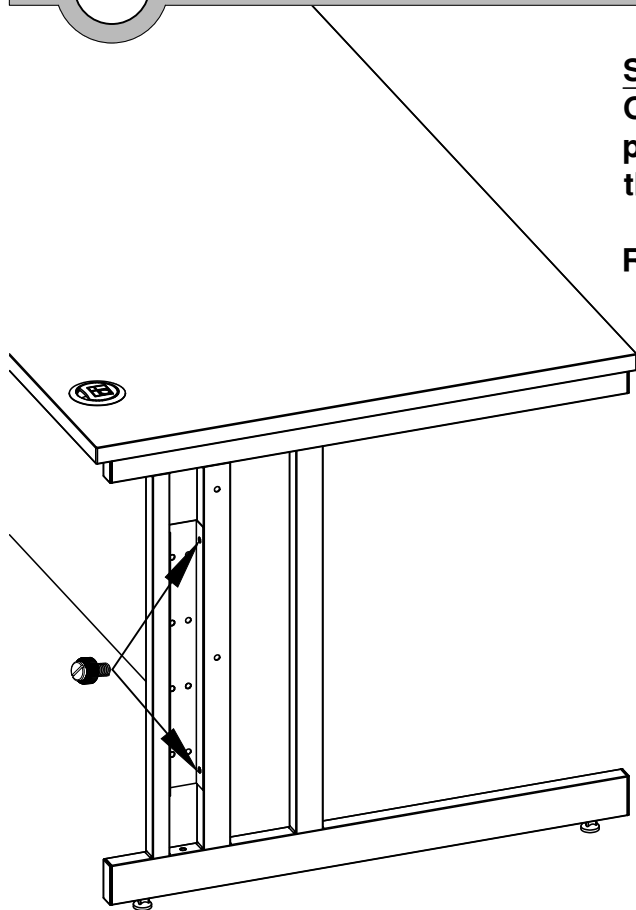
x2



8

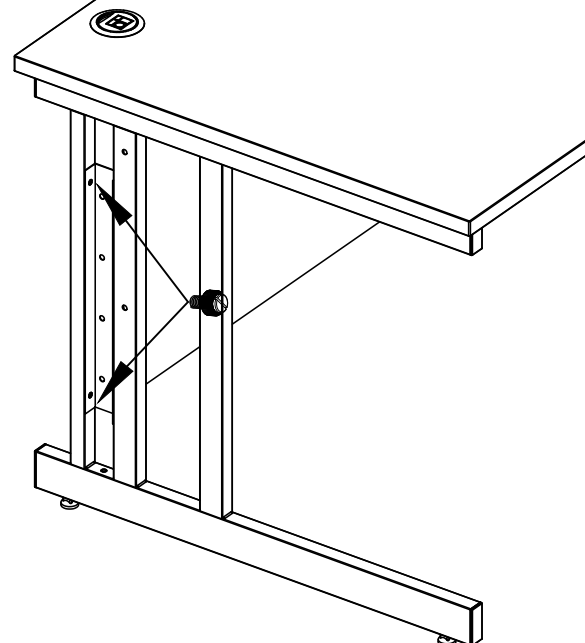
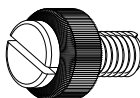
Step 8
Once the cable channel is in place fix it into position using the M6x10mm thumbscrews.

Repeat this step for both legs.



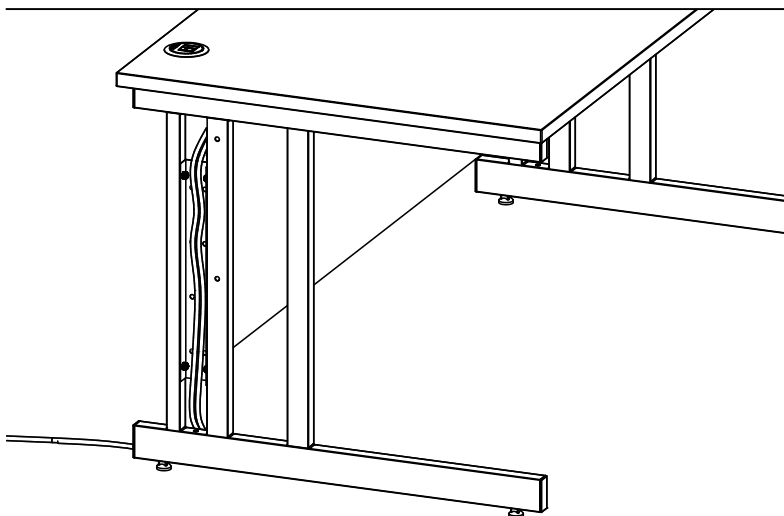
M6x10mm Thumbscrew

x8



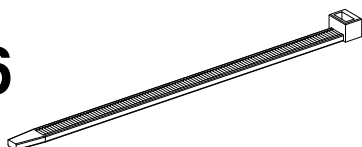
9

Step 9
Feed any cables up through the cable channel from the inside of the leg. If needed use the cable ties to fasten them to the cable channel.



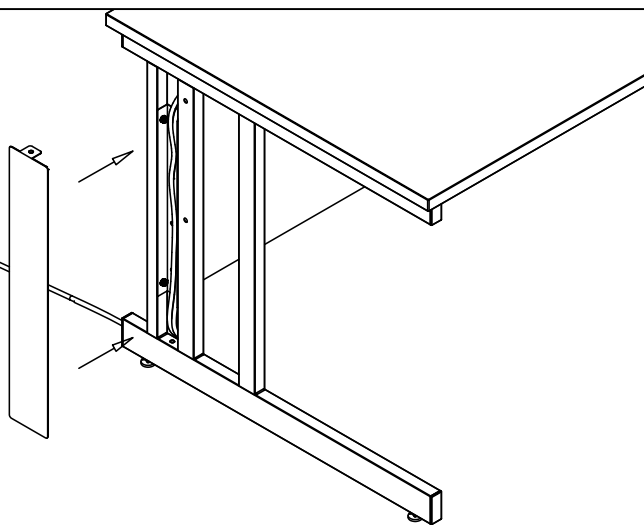
Cable Tie

x6



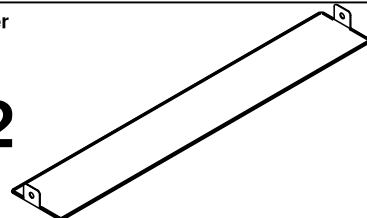
10

Step 10
Insert the cable cover into the opening between the uprights. Repeat this step for both legs.



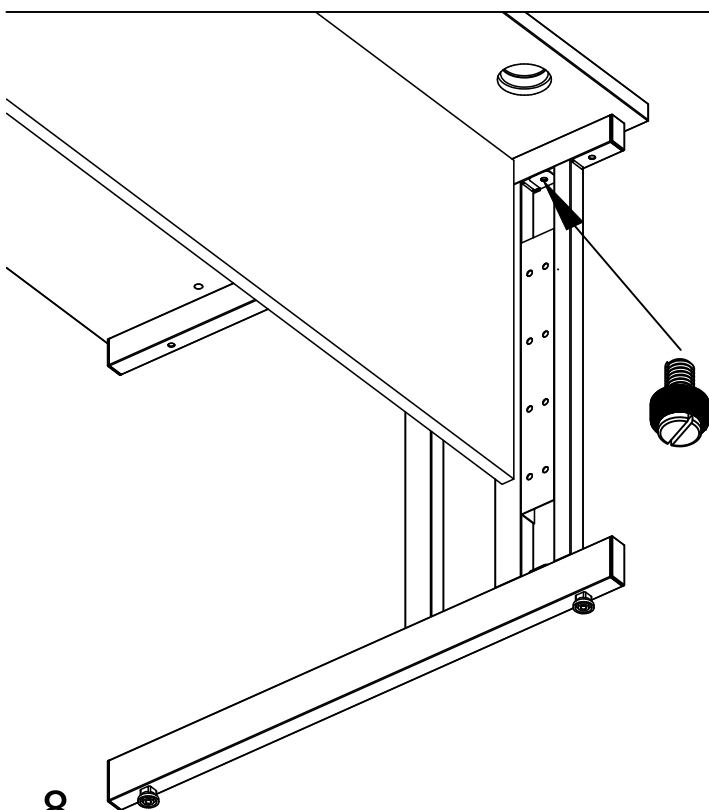
Cable Cover

x2

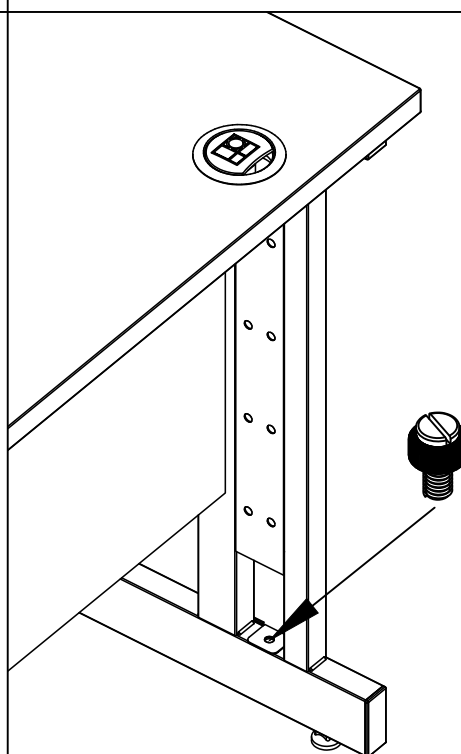


11

Step 11
Attach the cable covers using the M6x10mm thumbscrews. Repeat this step for both legs.

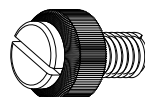


8



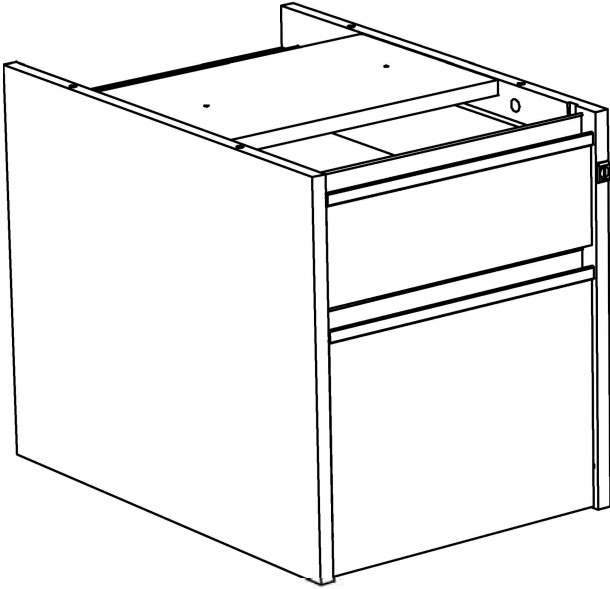
M6x10mm Thumbscrew

x4

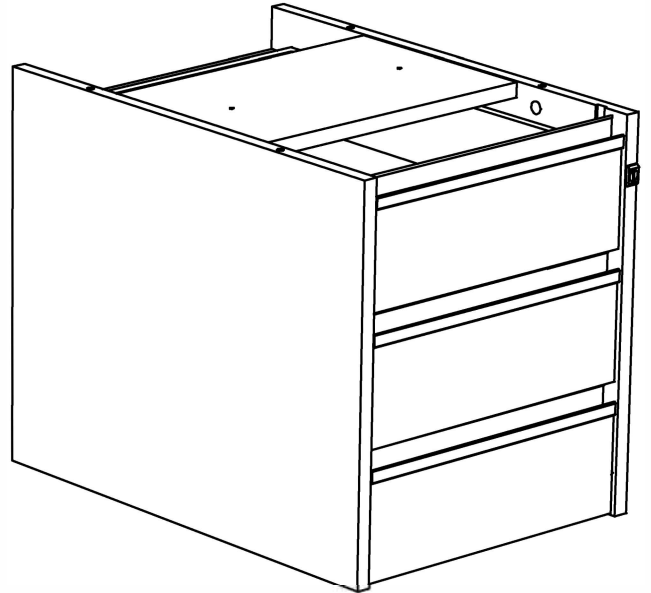


Desk Pedestals

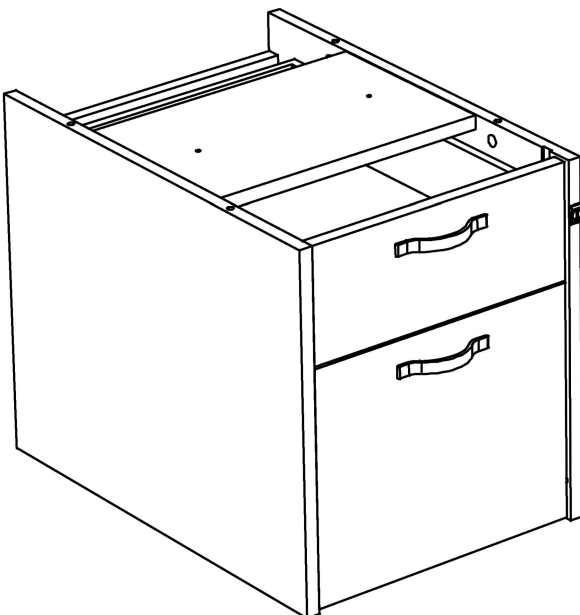
252F



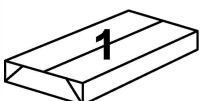
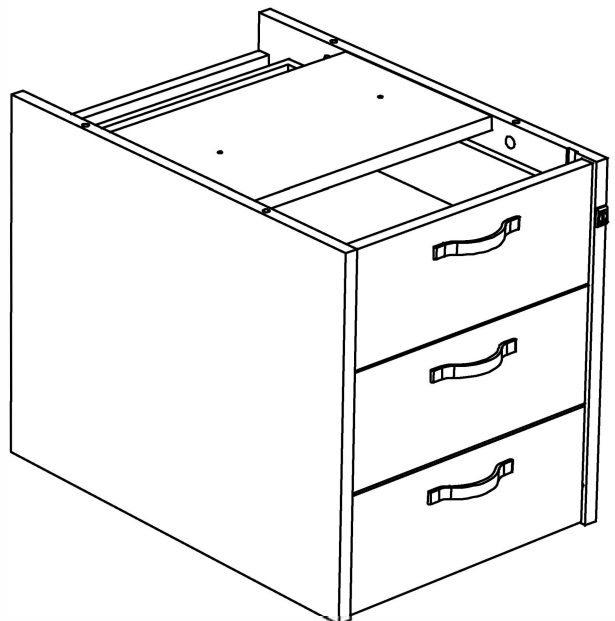
253F

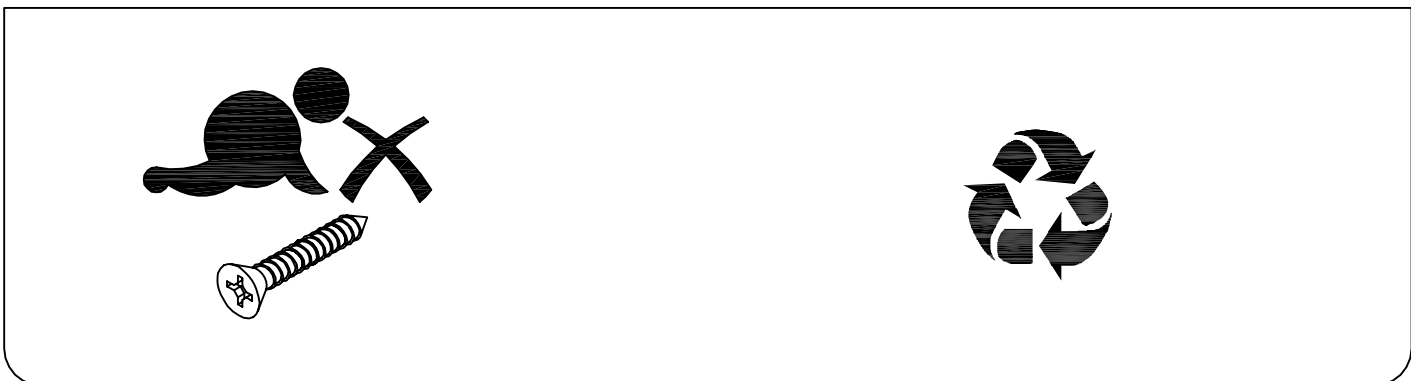
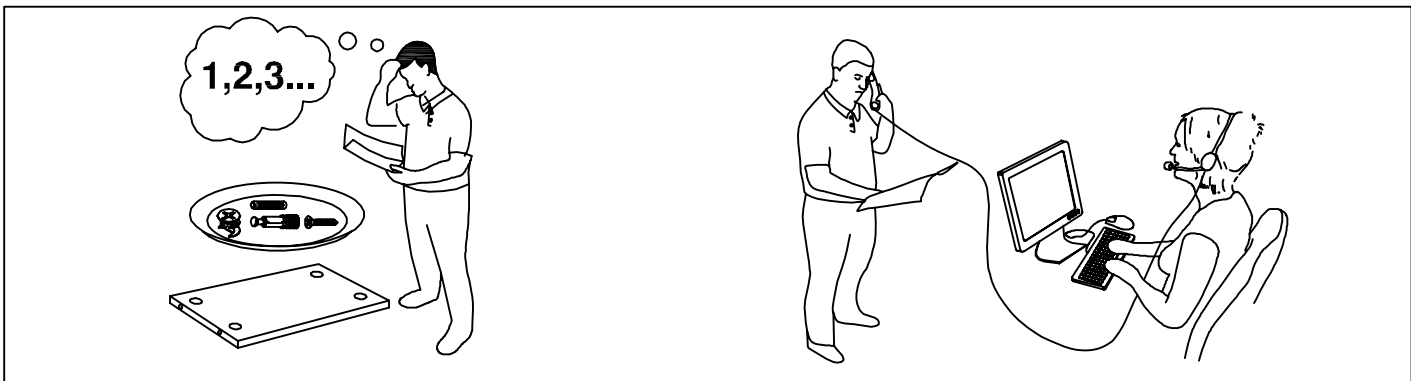
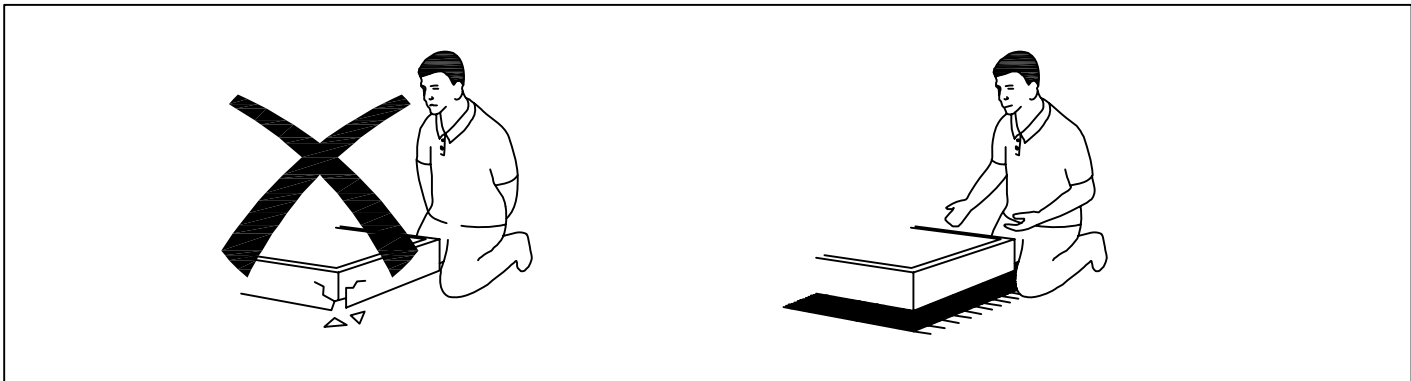
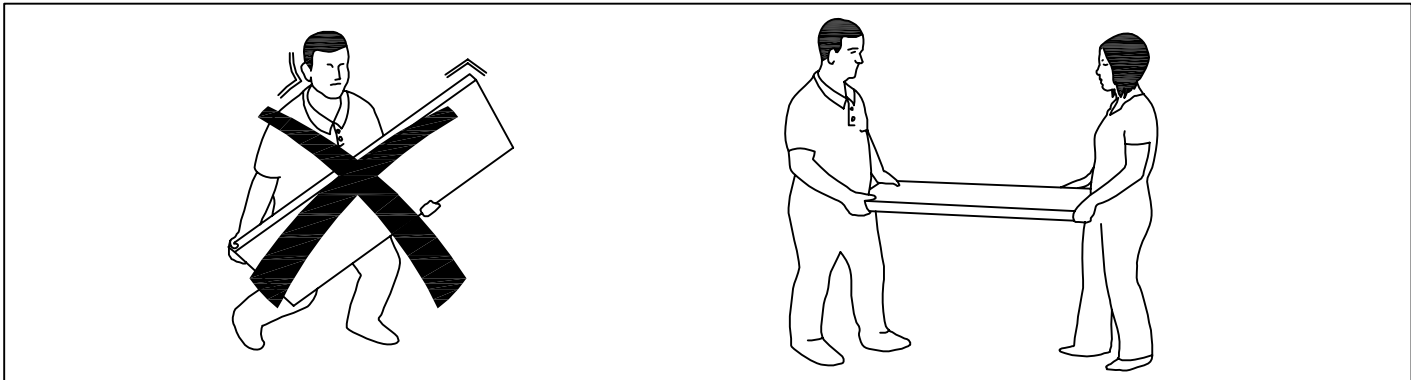
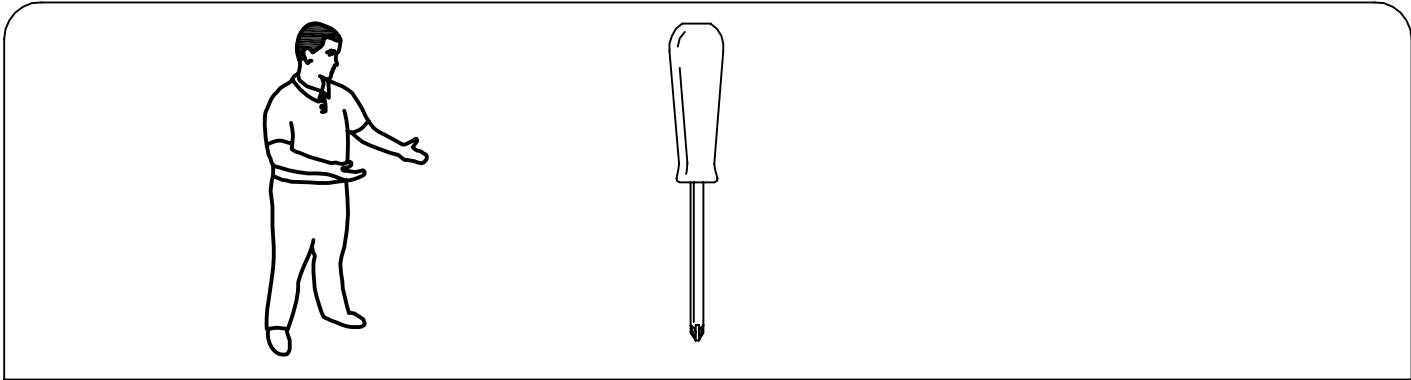


R2F



R3F

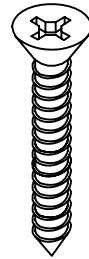
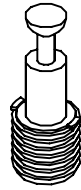
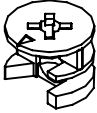
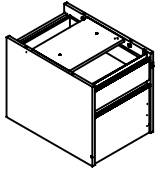






Please check that you have all the fittings

252F

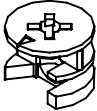
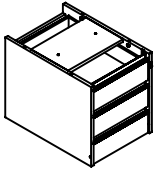


4 Minifix cam 15N
CAM03

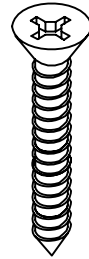
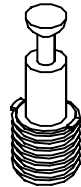
4 Quickfix spread bolt
BLT06

4 1 1/4 x 8 screw
SCR12

253F



Handle screw M4x22
BLT25

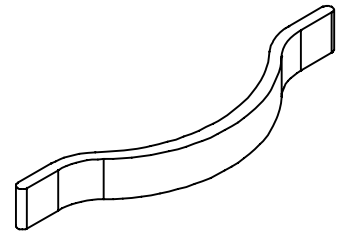
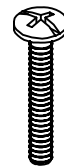
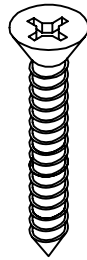
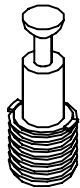
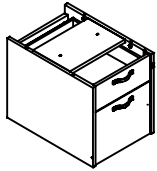


4 Minifix cam 15N
CAM03

4 Quickfix spread bolt
BLT06

4 1 1/4 x 8 screw
SCR12

R2F



4 Minifix cam 15N
CAM03

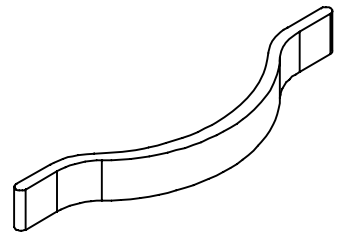
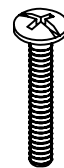
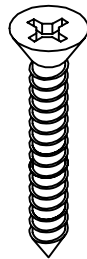
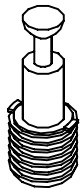
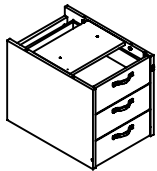
4 Quickfix spread bolt
BLT06

4 1 1/4 x 8 screw
SCR12

4 M4x22 COMBI BOLT
SCR25

2 CH/LF (LARGO) HANDLE
HDL09

R3F



4 Minifix cam 15N
CAM03

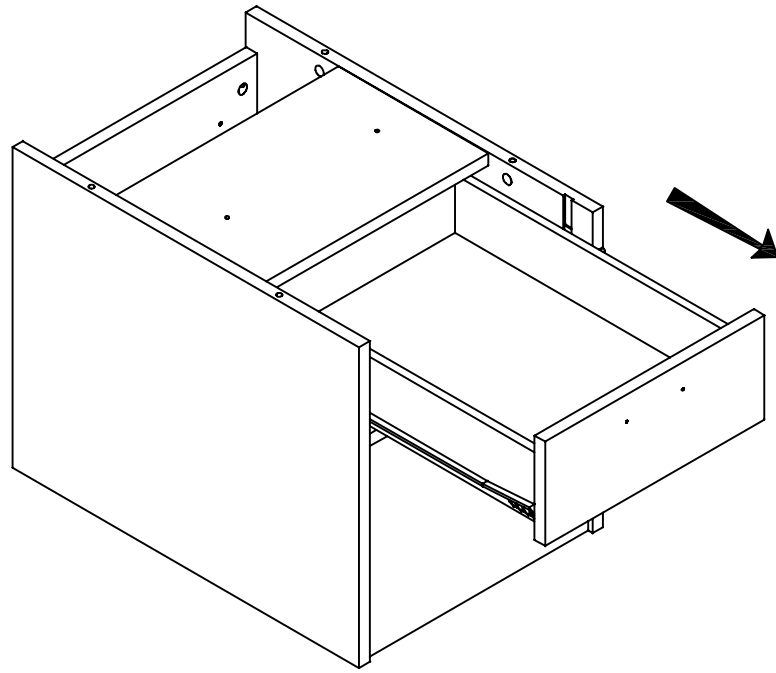
4 Quickfix spread bolt
BLT06

4 1 1/4 x 8 screw
SCR12

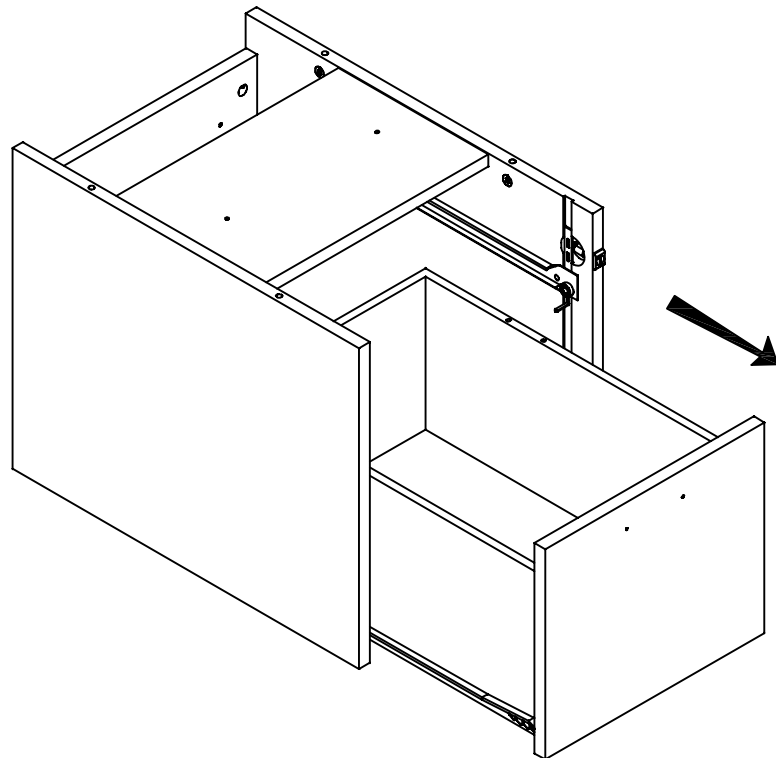
6 M4x22 COMBI BOLT
SCR25

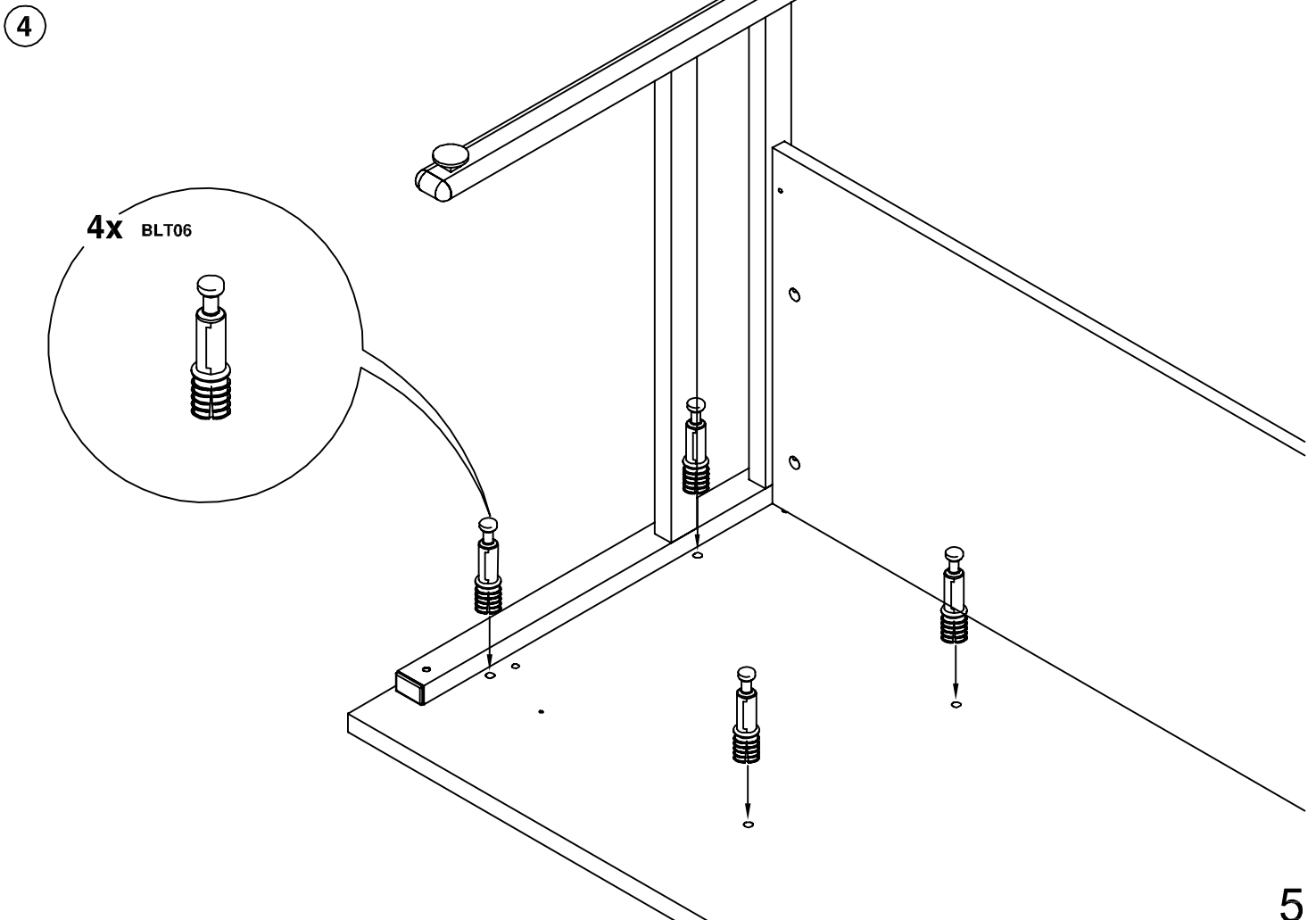
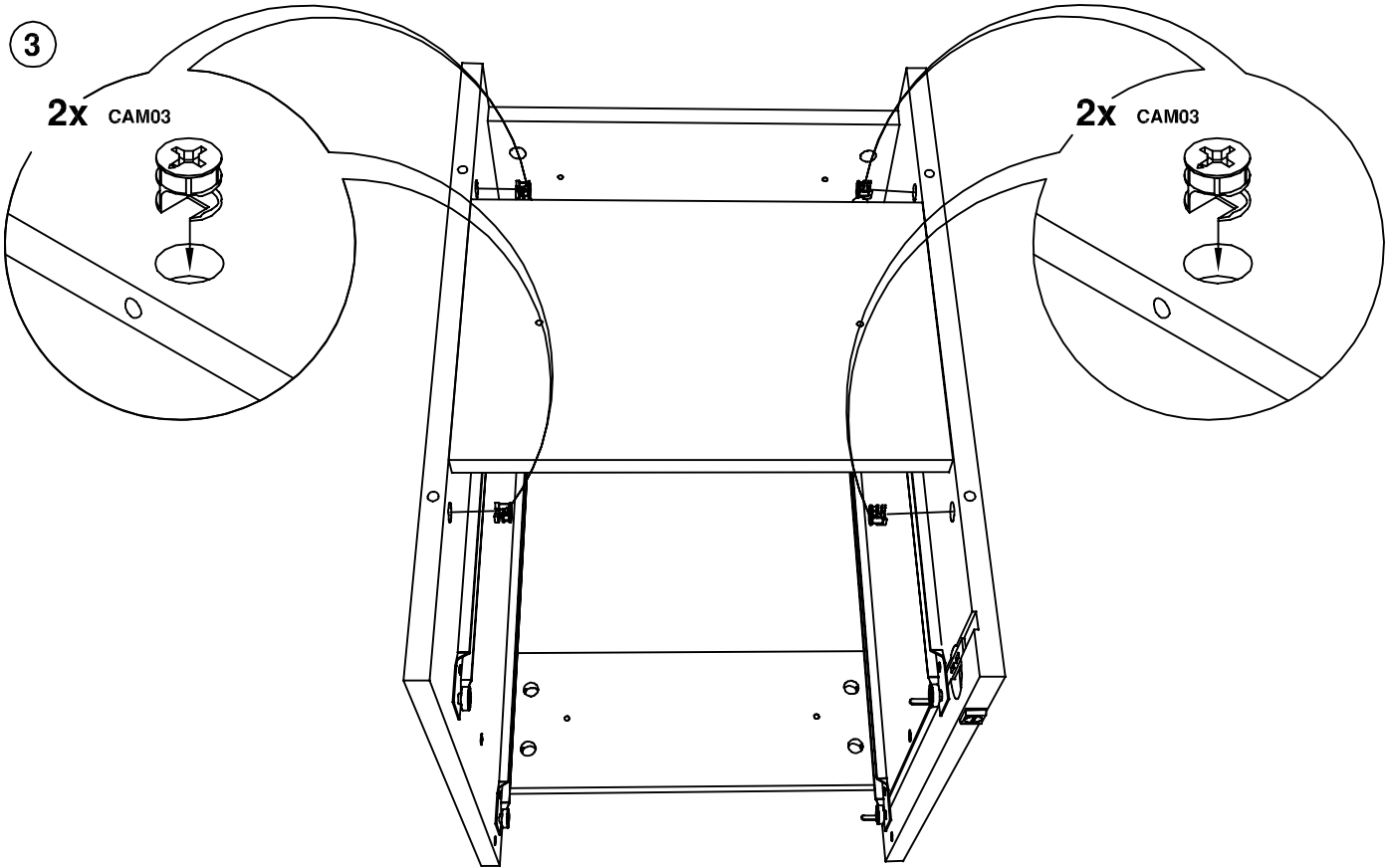
3 CH/LF (LARGO) HANDLE
HDL09

1

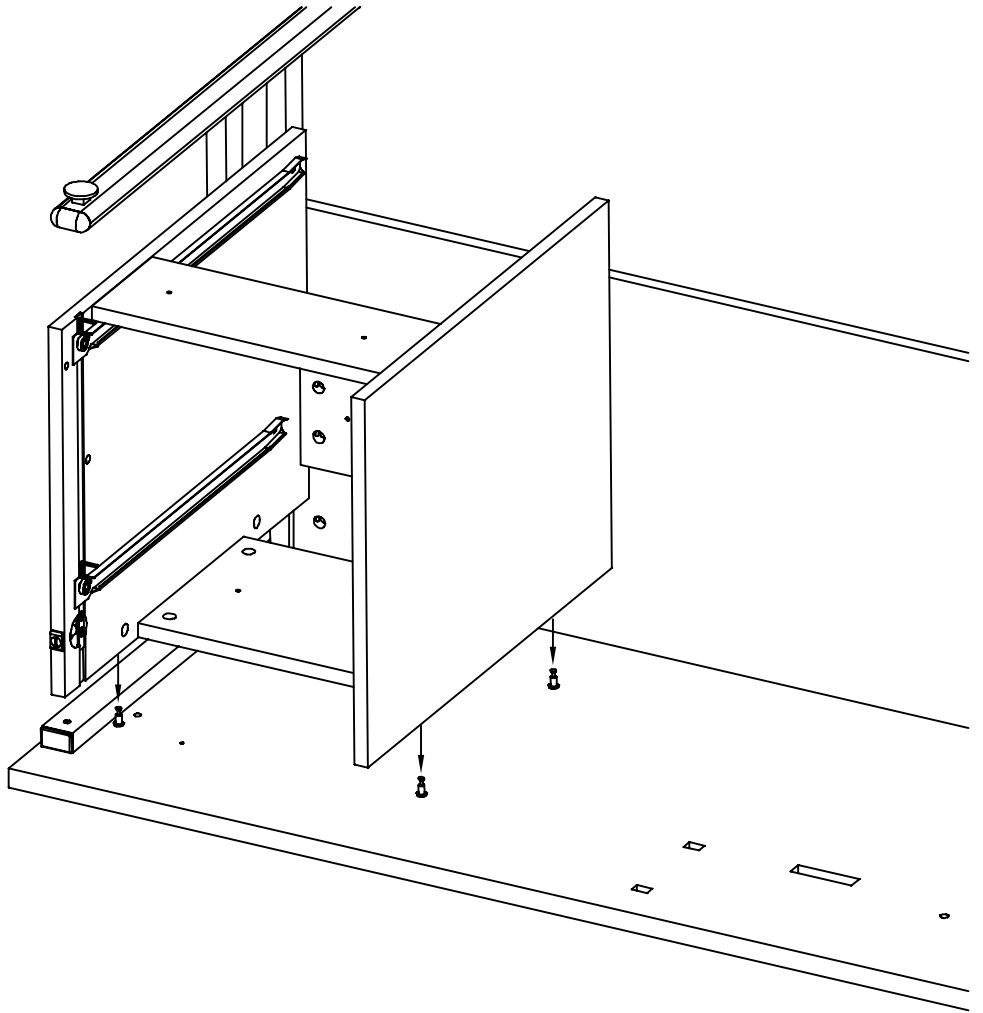
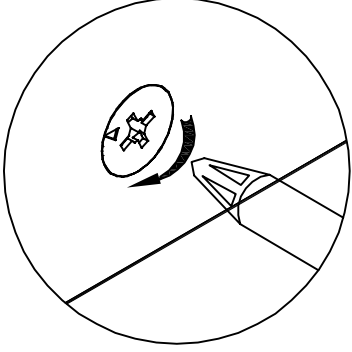
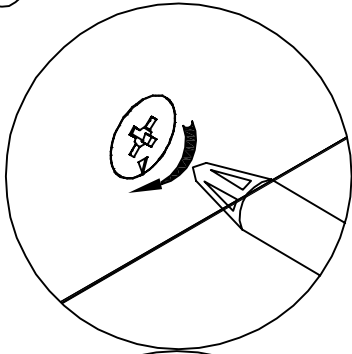


2

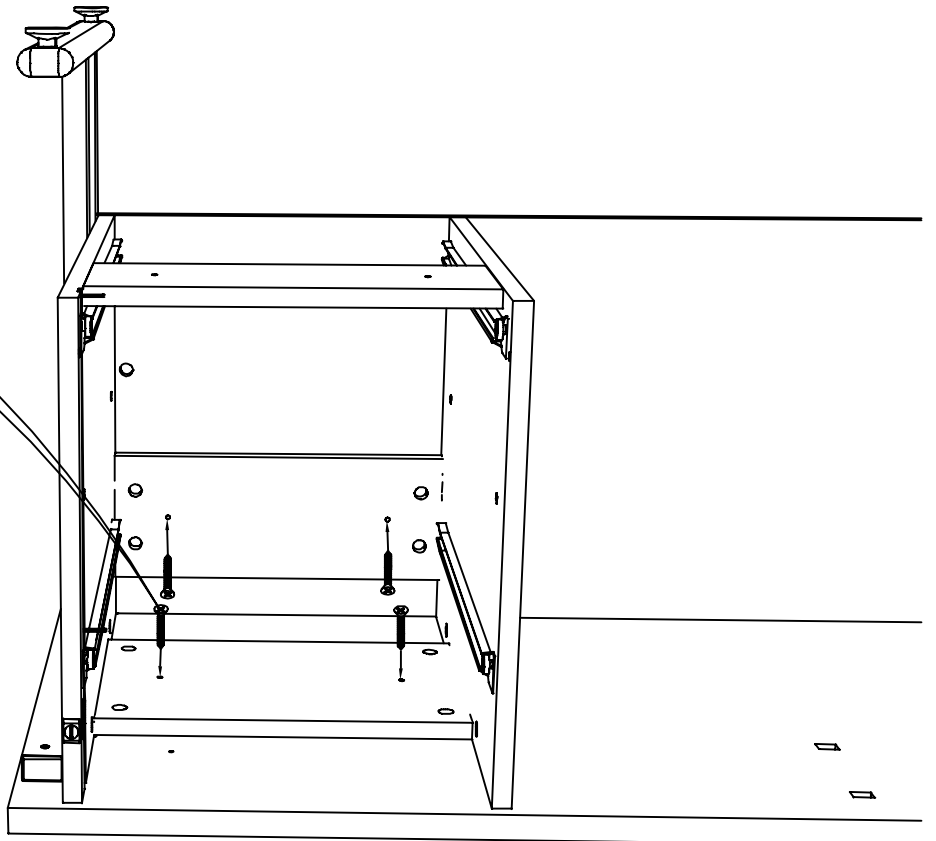
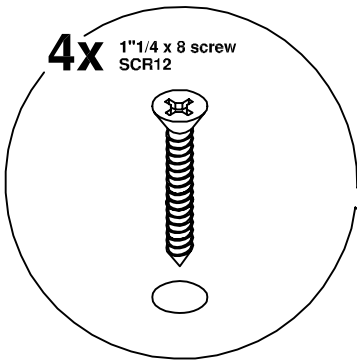




5

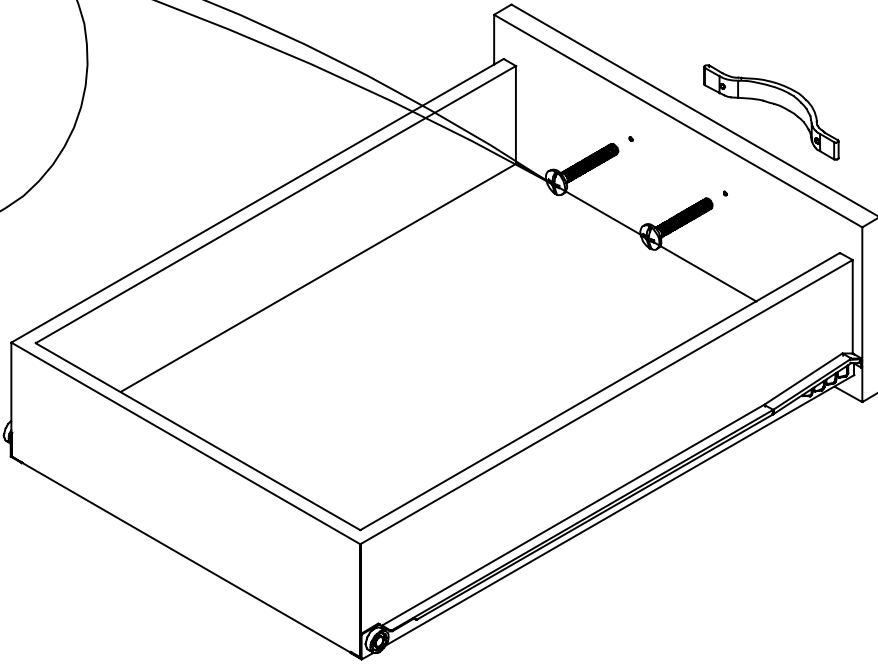
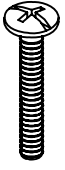


6



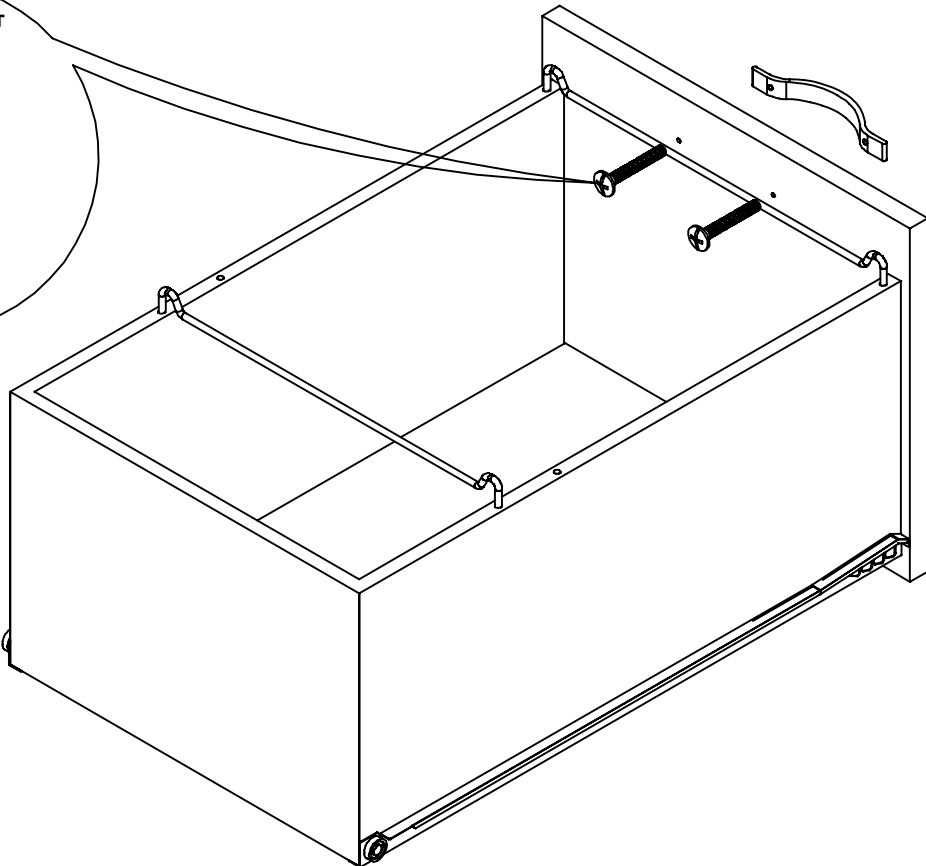
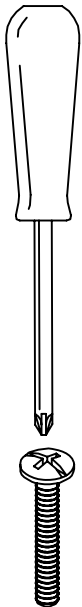
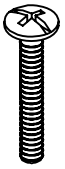
7

2x M4x22 COMBI BOLT
SCR25

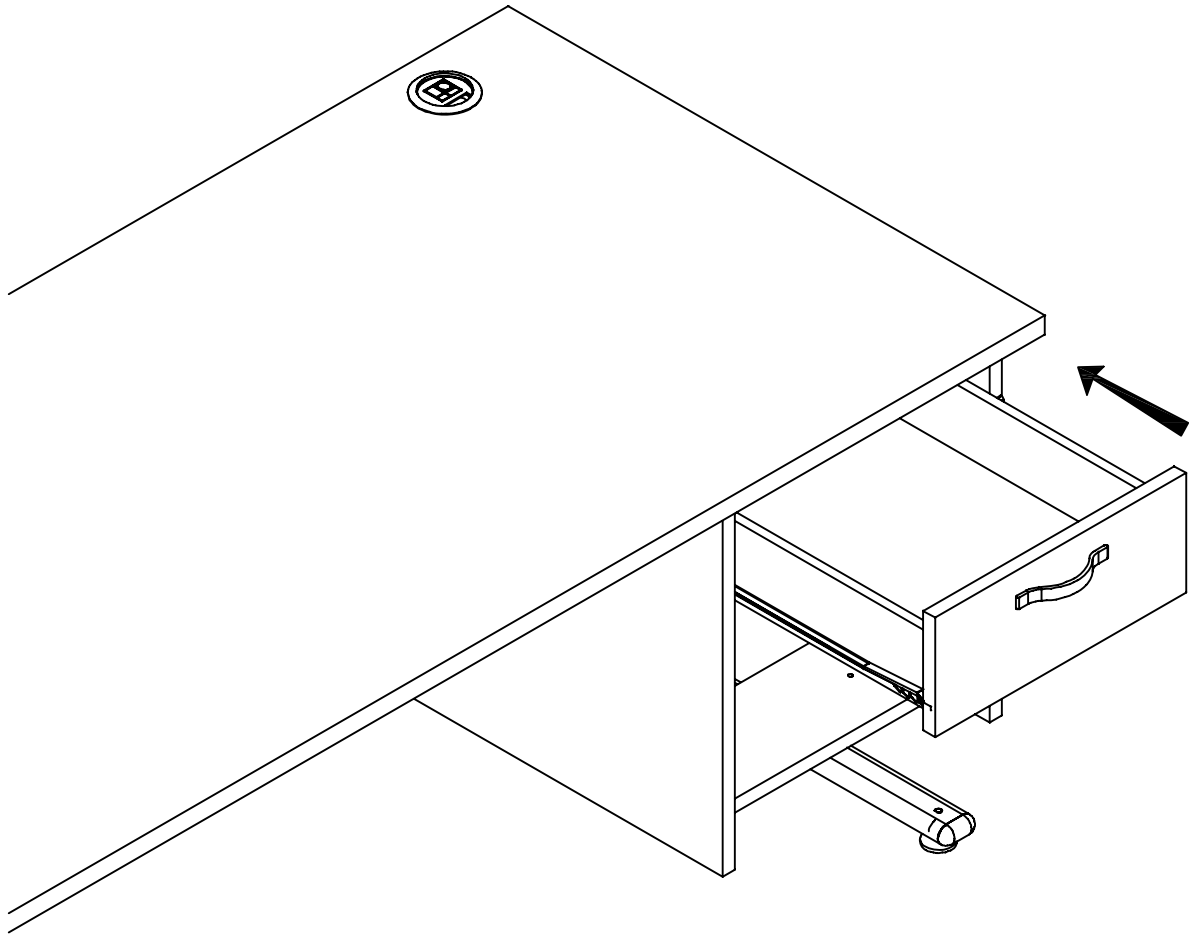


8

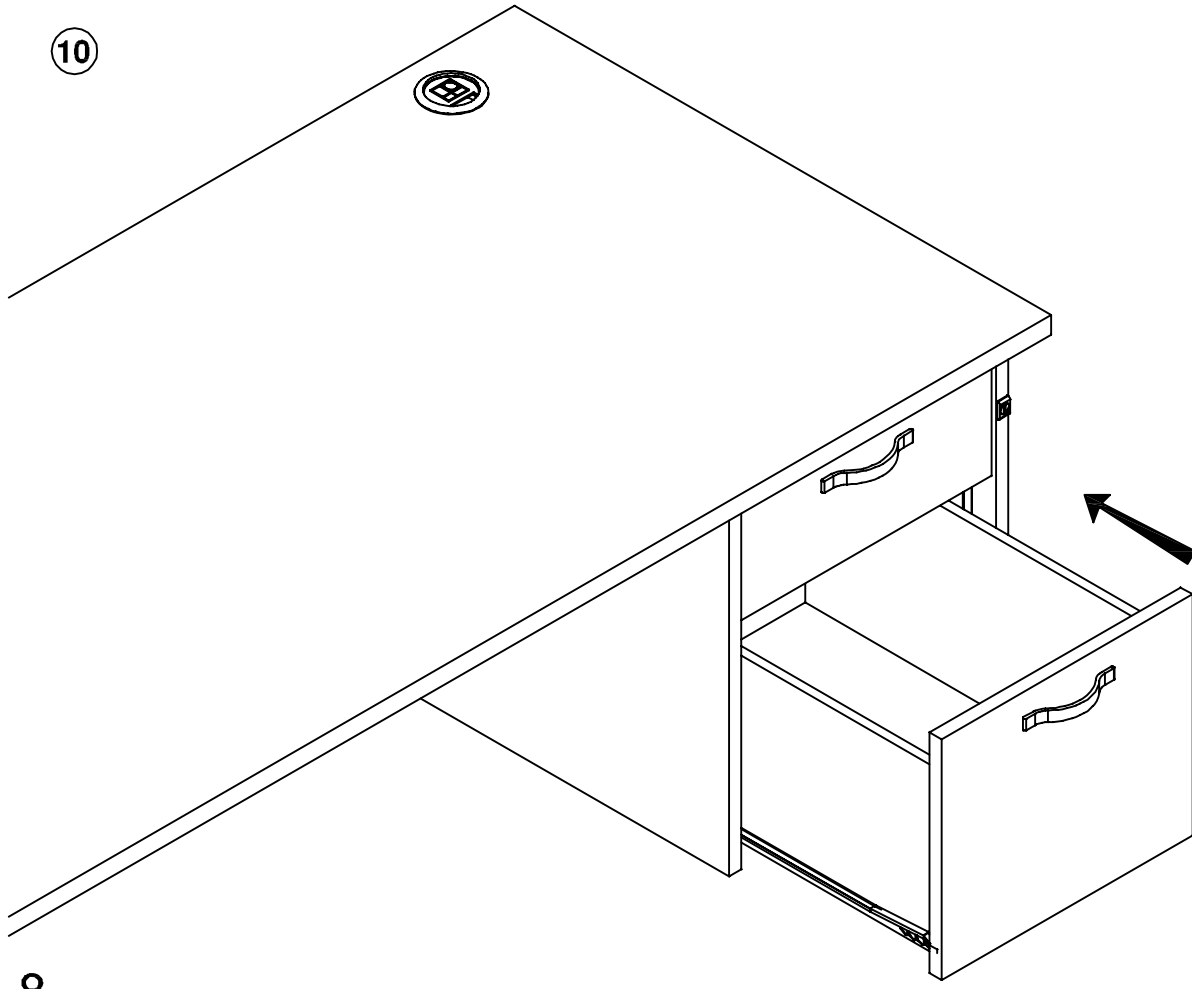
2x M4x22 COMBI BOLT
SCR25



9



10



8