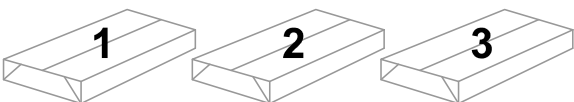
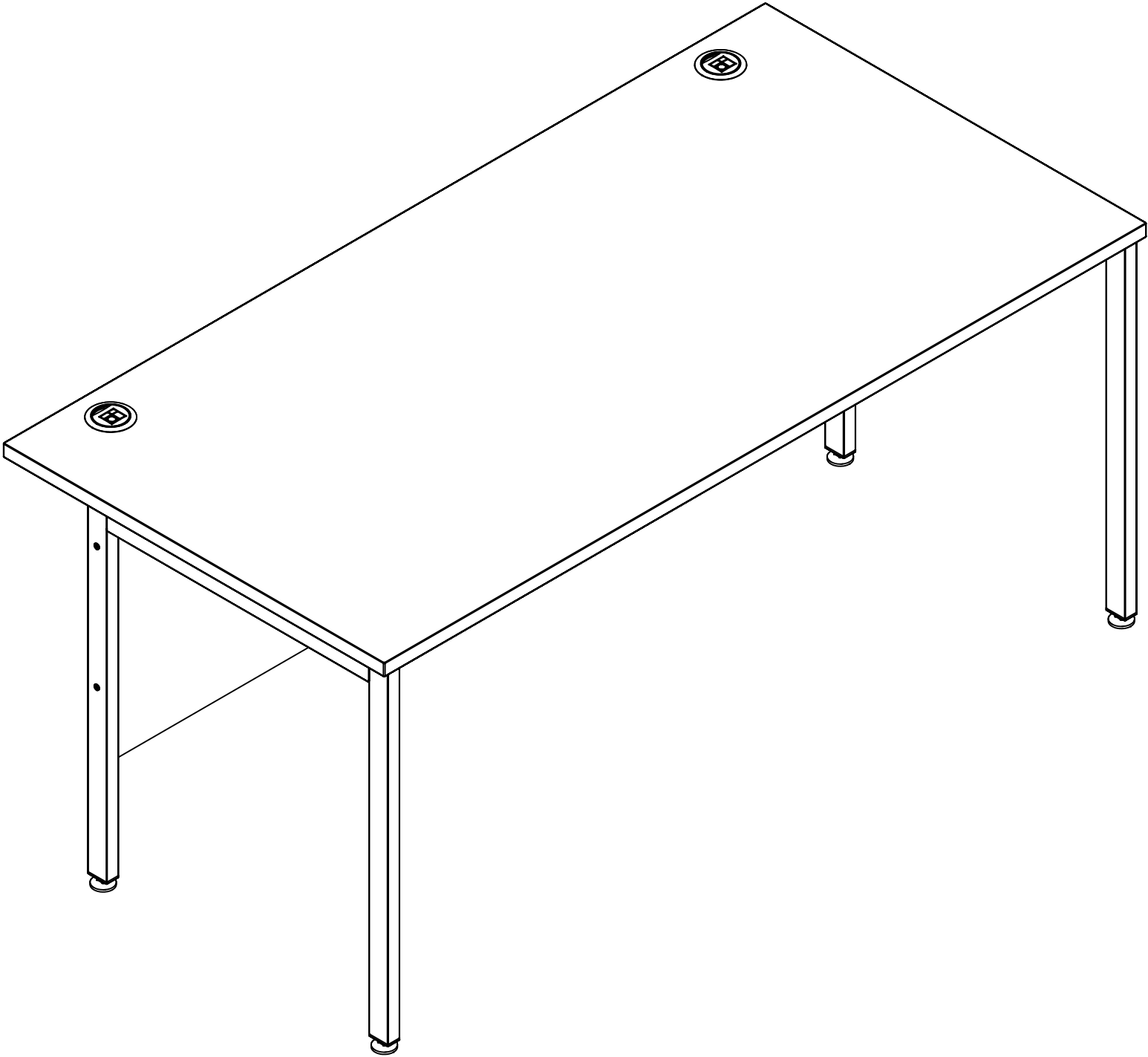




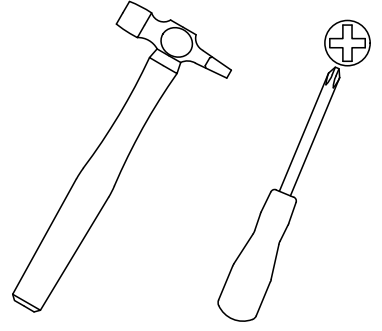
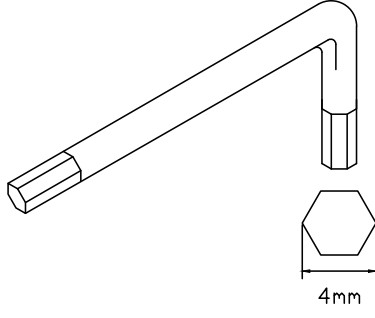
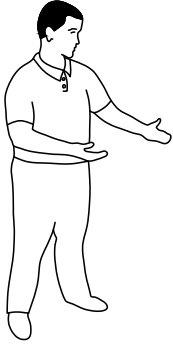
M25 Desking

M25H8

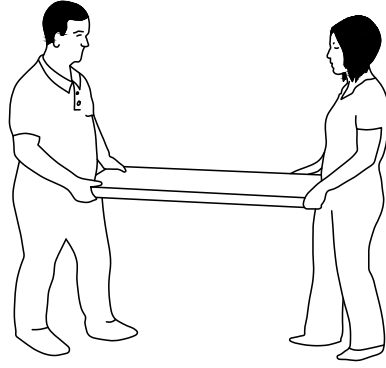
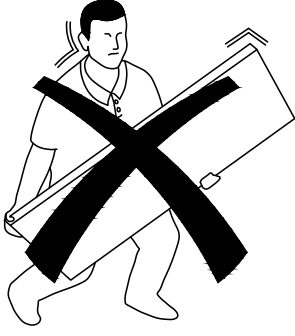
Maestro 25 H-Frame 800mm Legs



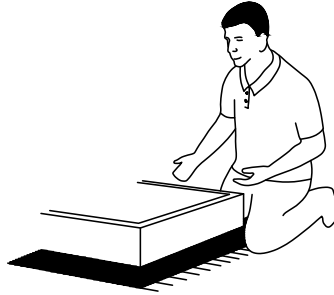
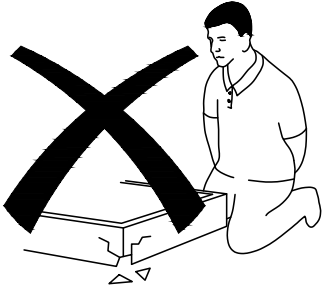
**TOOLS REQUIRED
FOR ASSEMBLY**



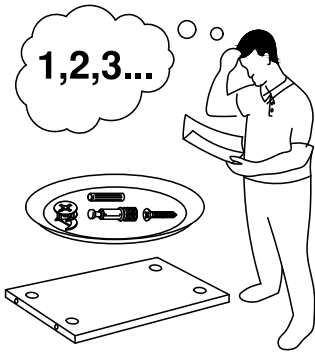
**DON'T STRUGGLE
2 MAN LIFT**



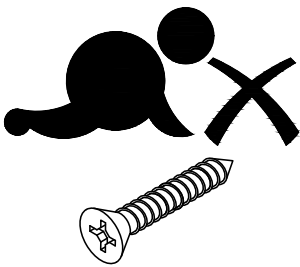
**ALWAYS HANDLE
ITEMS WITH CARE**



**IF UNSURE CALL
FOR ASSISTANCE**

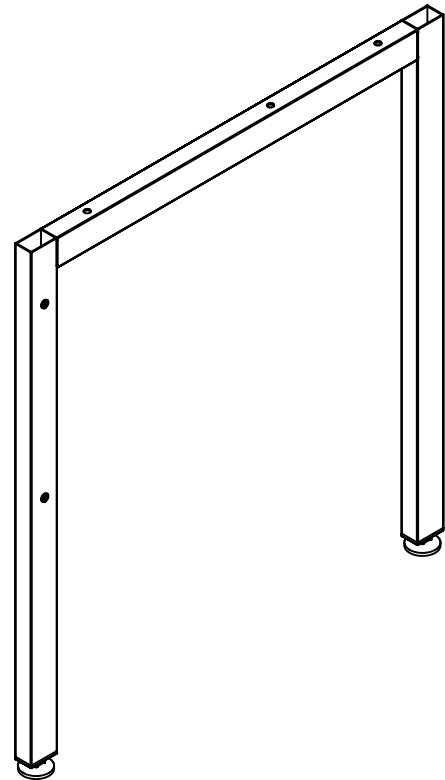
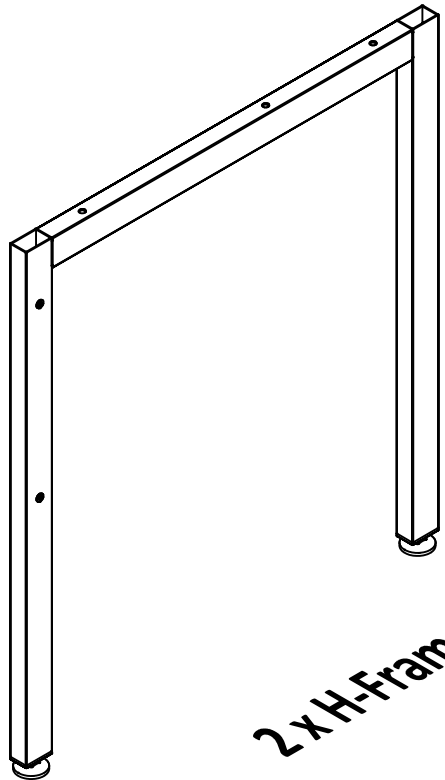
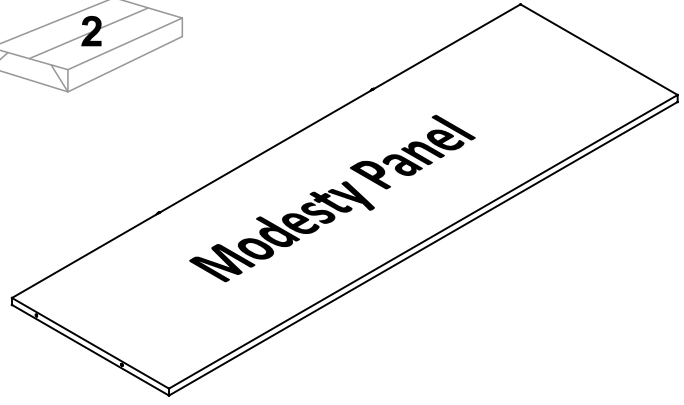
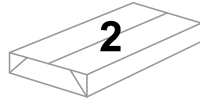
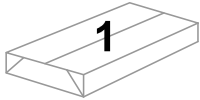


**KEEP FITTINGS AWAY
FROM CHILDREN**





Please check that you have all the components!



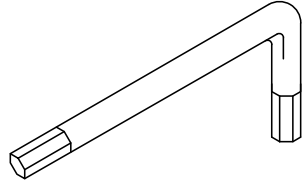
2 x H-Frame Leg



Please check that you have all the hardware!

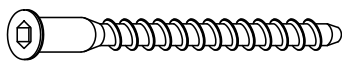
4mm Allen Key
RM-ALK01

x1



Confirmat Screw 70mm
RM-CFM04 (Silver/White) - RM-CFM02 (Black)

x4



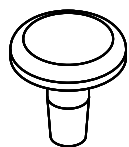
Nylon M6x10 Socket
RM-PAR05

x4



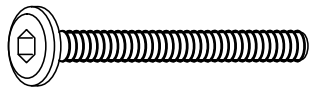
Spacer Plug
RM-FRL08

x4



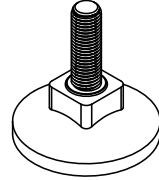
Connect Bolt M6x50mm
RM-BLT05

x4



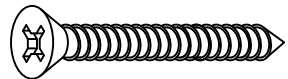
Adjustable Foot Dia 38mm
RM-FRL20

x4



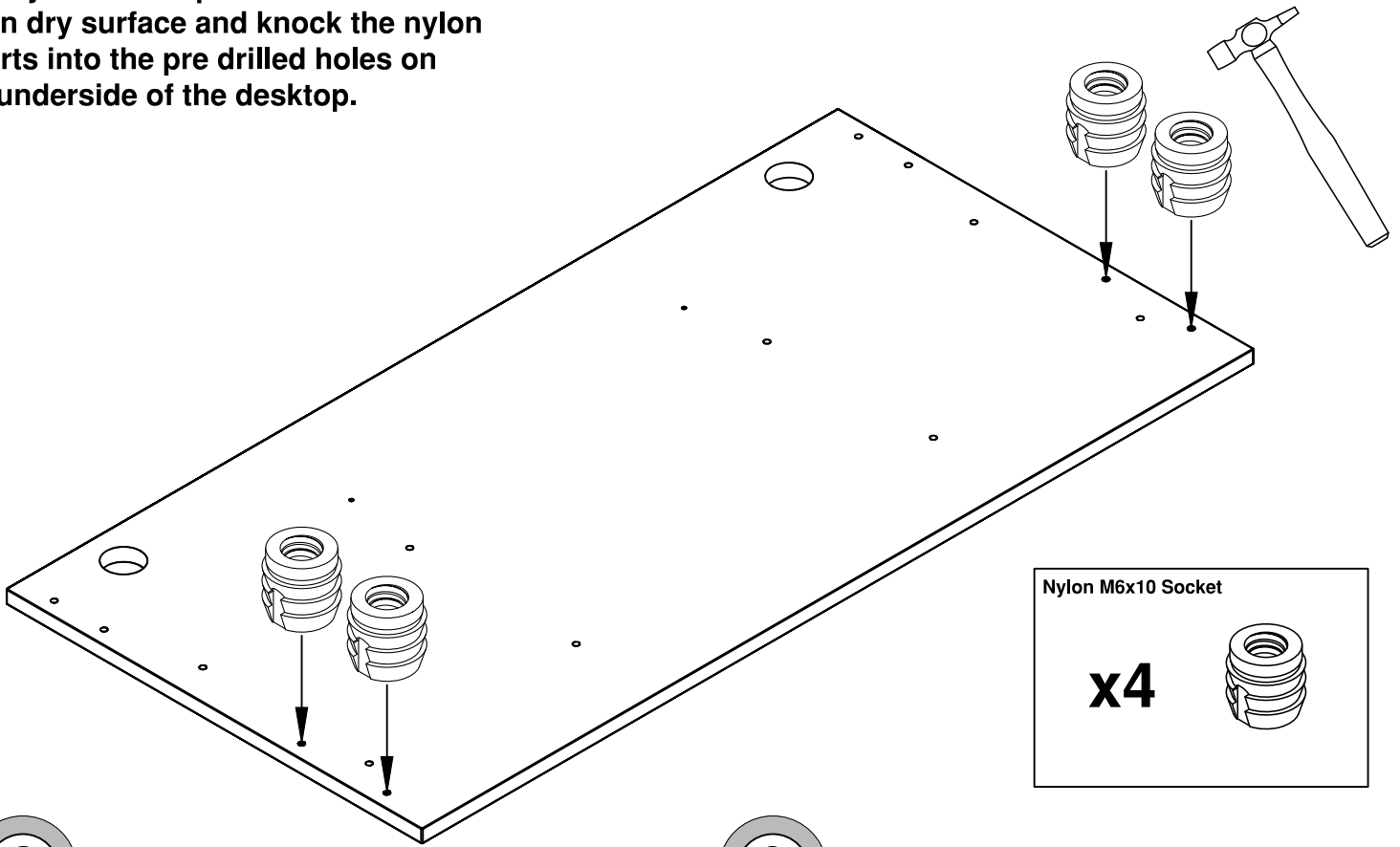
Wood Screw 8 x 57mm
RM-SCR30

x2



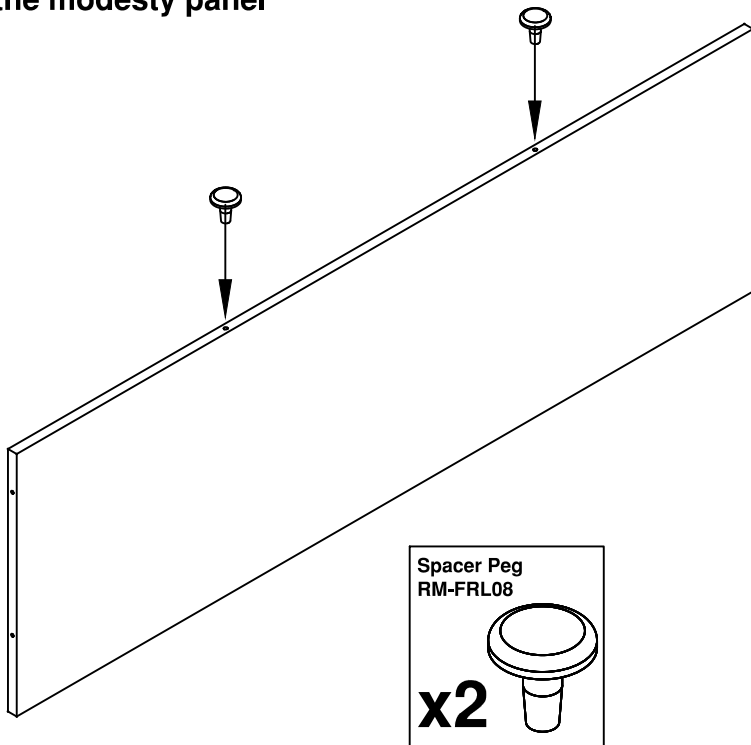
1

Step 1
Place your desktop face down onto a clean dry surface and knock the nylon inserts into the pre drilled holes on the underside of the desktop.



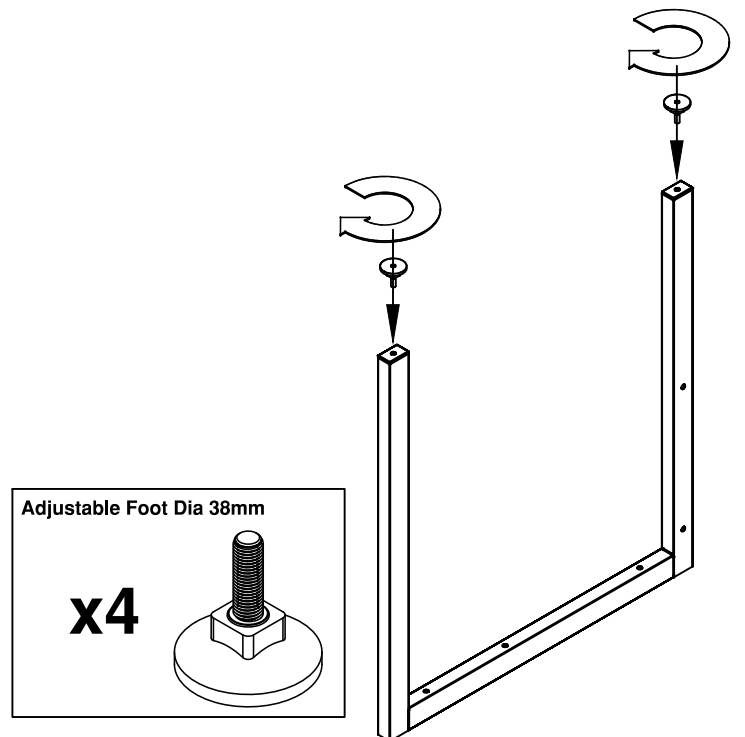
2

Step 2
Insert the spacer pegs into the top of the modesty panel



3

Step 3
Screw the 38mm adjustable feet into the bottom of each leg.

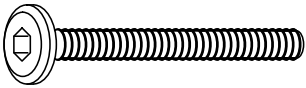


4

Step 4
Fix the leg to the desktop using the M6x50mm connect bolts. Once these bolts are tightened insert the 57mm wood screw, please note there is no pre drilled hole in the desktop for this screw.

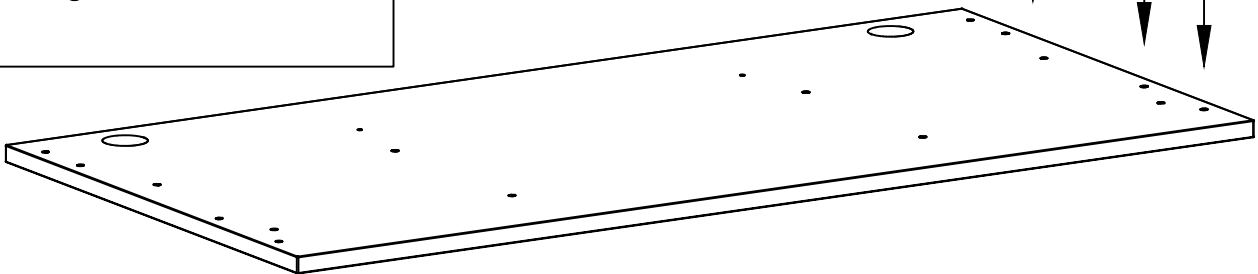
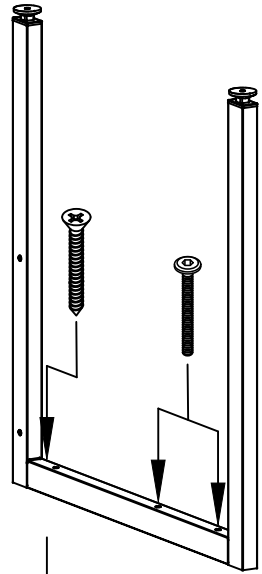
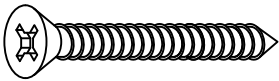
Connect Bolt M6 x 50mm

x2



Wood Screw 8 x 57mm

x1

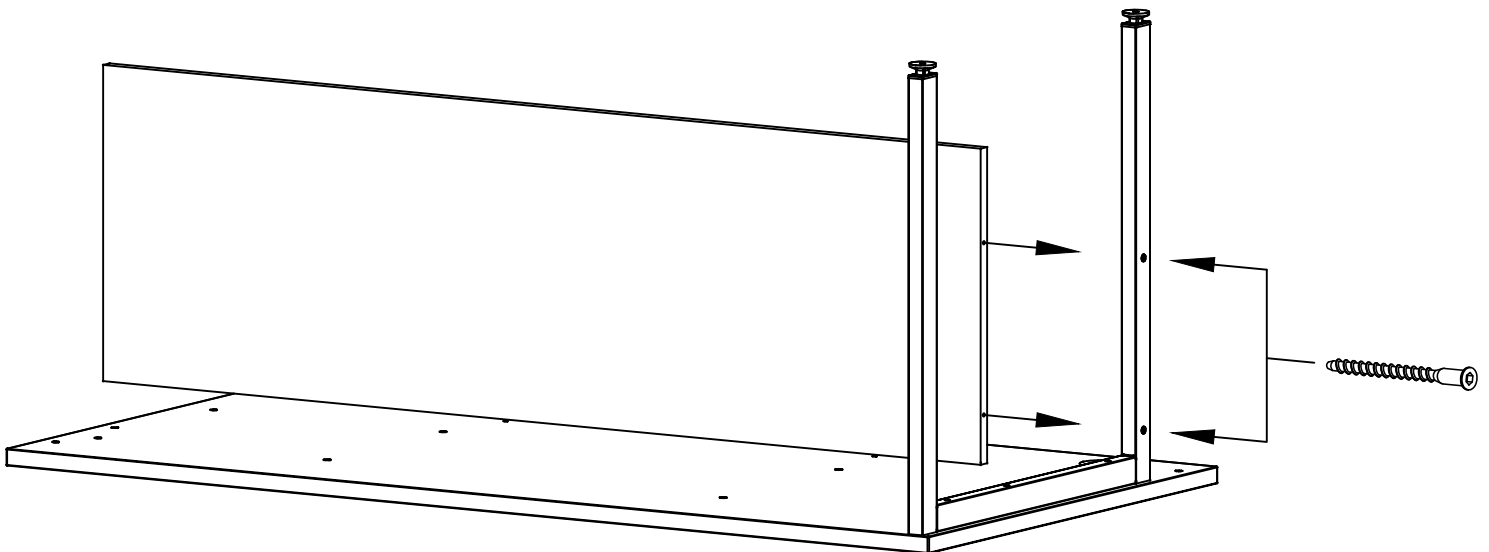
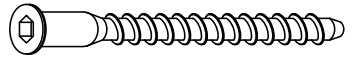


5

Step 5
Attach the leg to the modesty panel using the 70mm confirmat screws.

Confirmat Screw 70mm

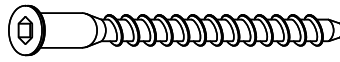
x2

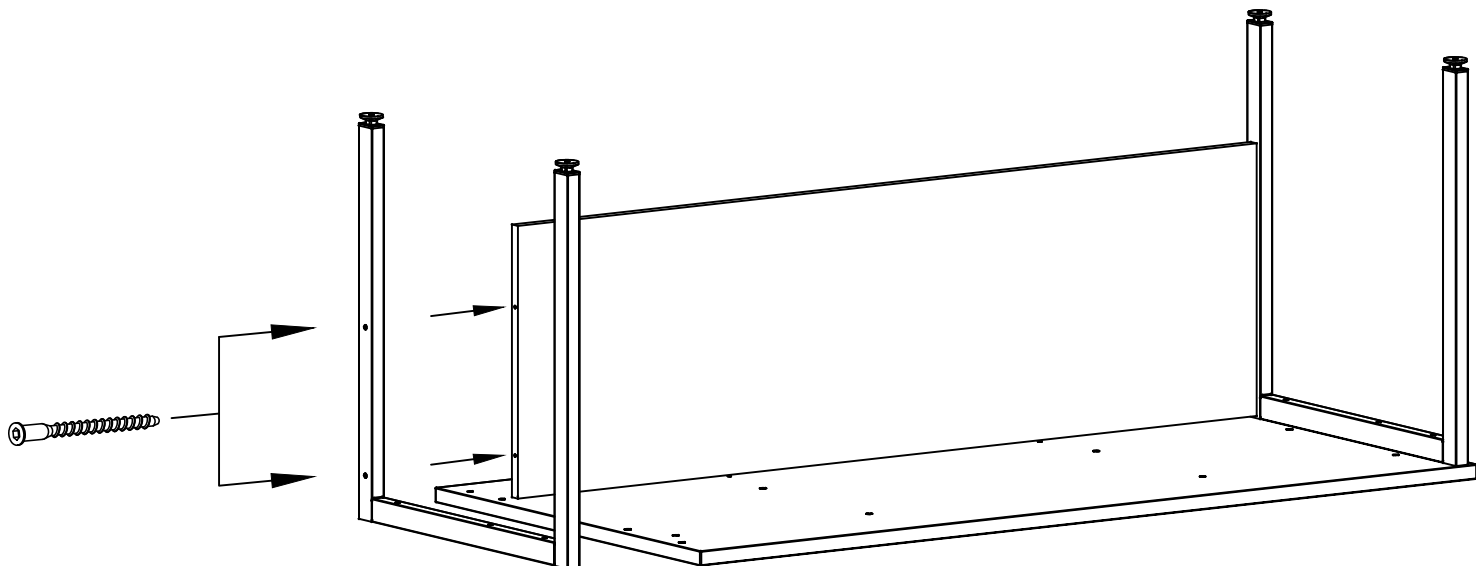


6

Step 6
Attach the leg to the
modesty panel using the
70mm confirmat screws.

Confirmat Screw 70mm (Silver)

x2 

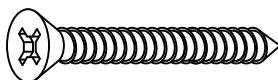


7

Step 7
Fix the leg to the desktop
using the M6x50mm
connect bolts. Once these
bolts are tightened insert
the 57mm wood screw,
please note there is no pre
drilled hole in the desktop
for this screw.

Wood Screw 8 x 57mm

x1



Connect Bolt M6x50mm

x2

