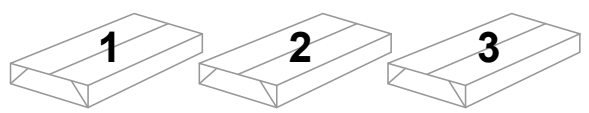
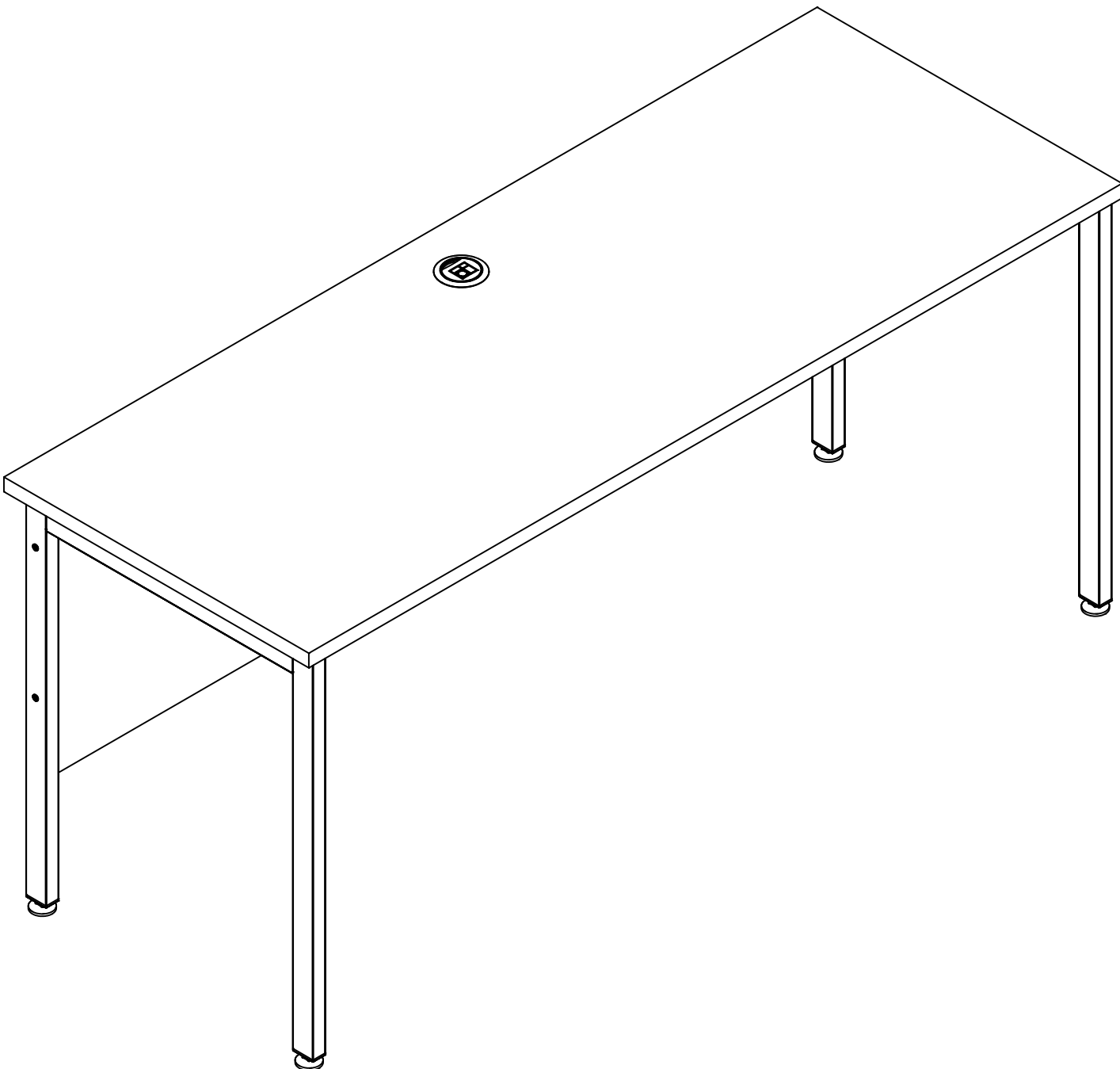
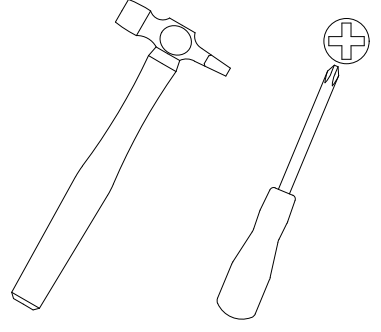
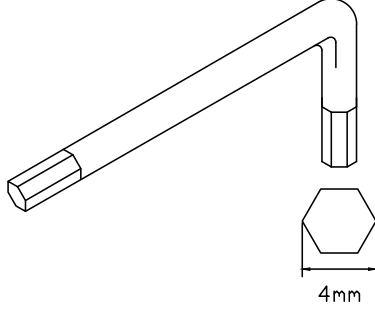
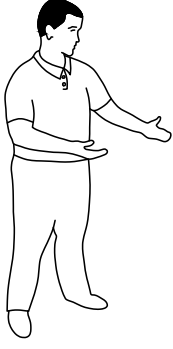


M25H6

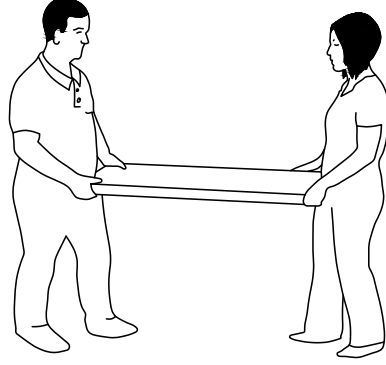
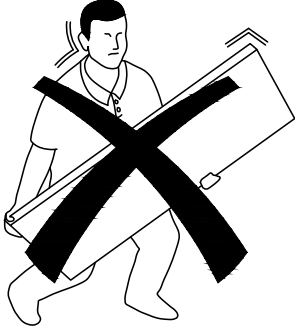
Maestro 25 H-Frame 600mm Legs



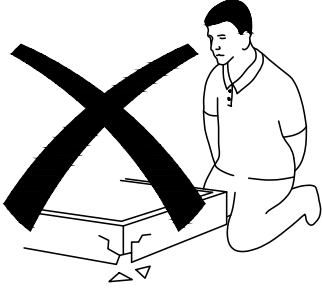
**TOOLS REQUIRED
FOR ASSEMBLY**



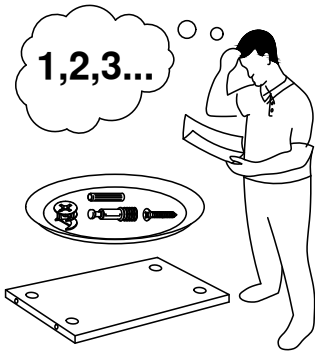
**DON'T STRUGGLE
2 MAN LIFT**



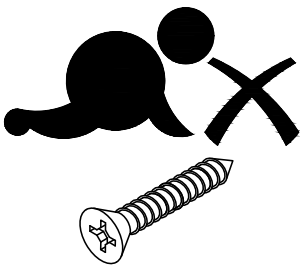
**ALWAYS HANDLE
ITEMS WITH CARE**



**IF UNSURE CALL
FOR ASSISTANCE**

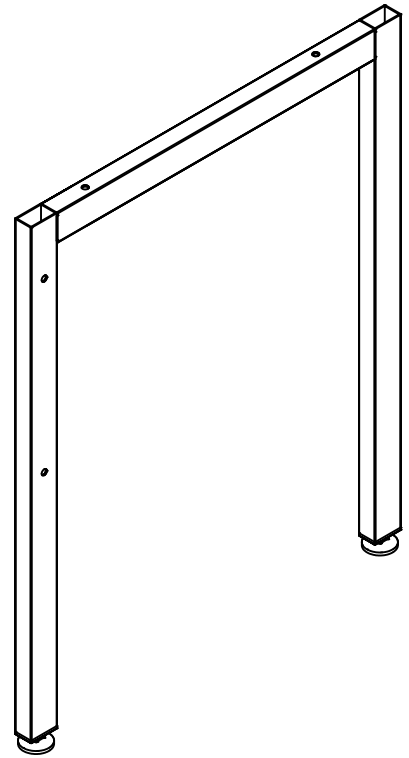
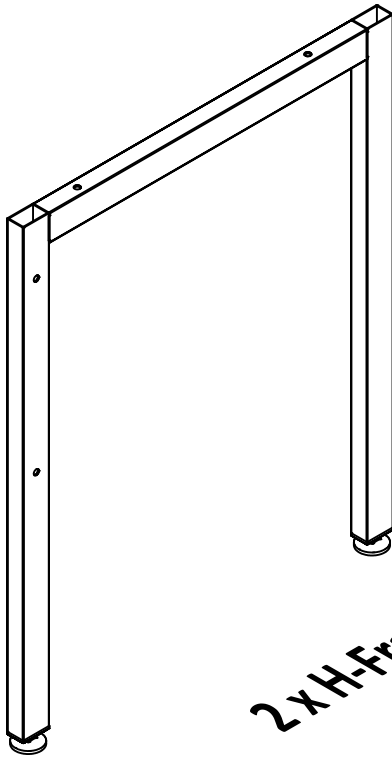
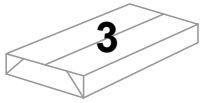
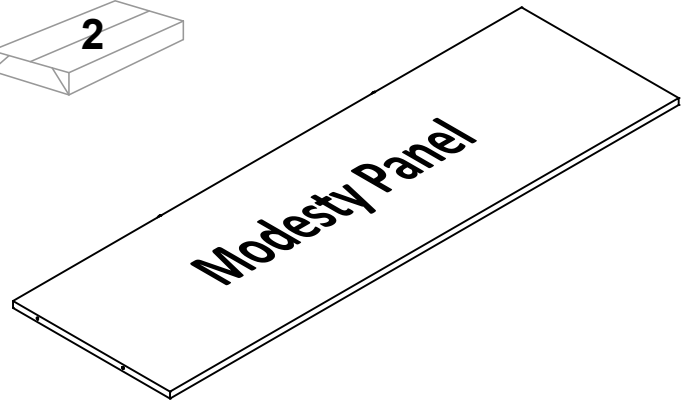
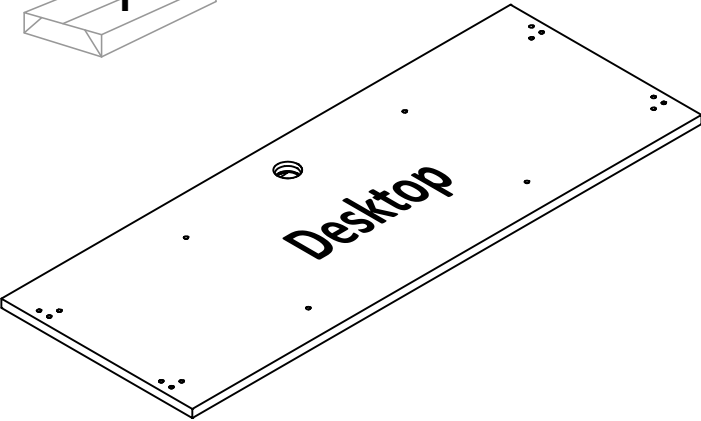
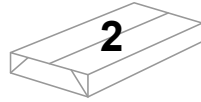
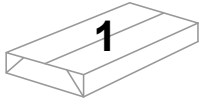


**KEEP FITTINGS AWAY
FROM CHILDREN**





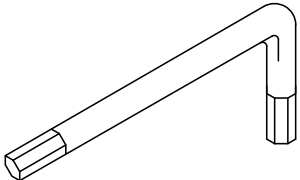
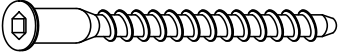


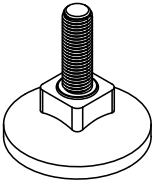
Please check that you have all the components!



2 x H-Frame Leg

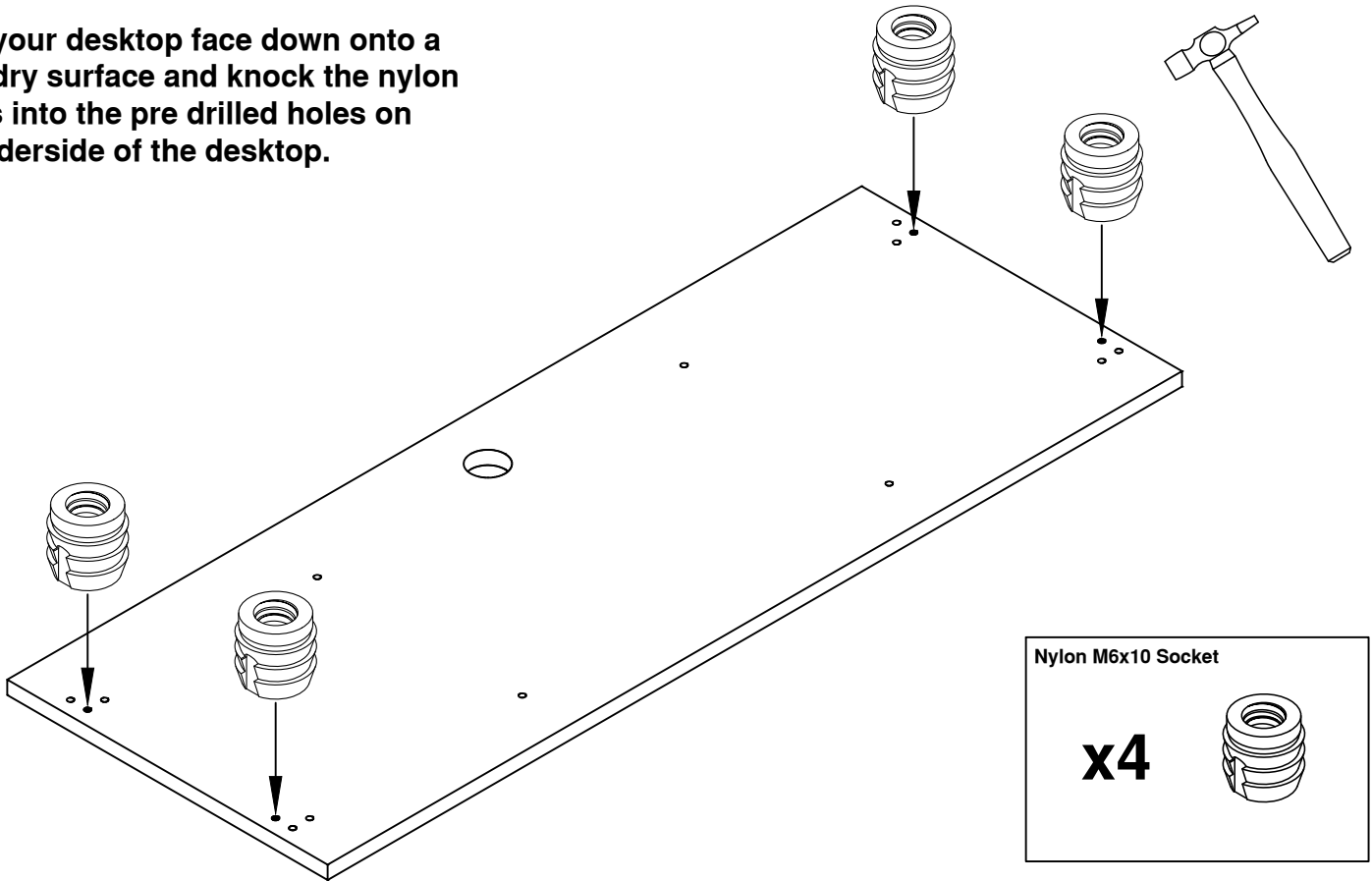


Please check that you have all the hardware!

<p>4mm Allen Key RM-ALK01</p> <p>x1</p> 	<p>Confirmat Screw 70mm RM-CFM04 (Silver/White) - RM-CFM02 (Black)</p> <p>x4</p> 	<p>Nylon M6x10 Socket RM-PAR05</p> <p>x4</p> 
<p>Connect Bolt M6x50mm RM-BLT05</p> <p>x4</p> 	<p>Adjustable Foot Dia 38mm RM-FRL20</p> <p>x4</p> 	

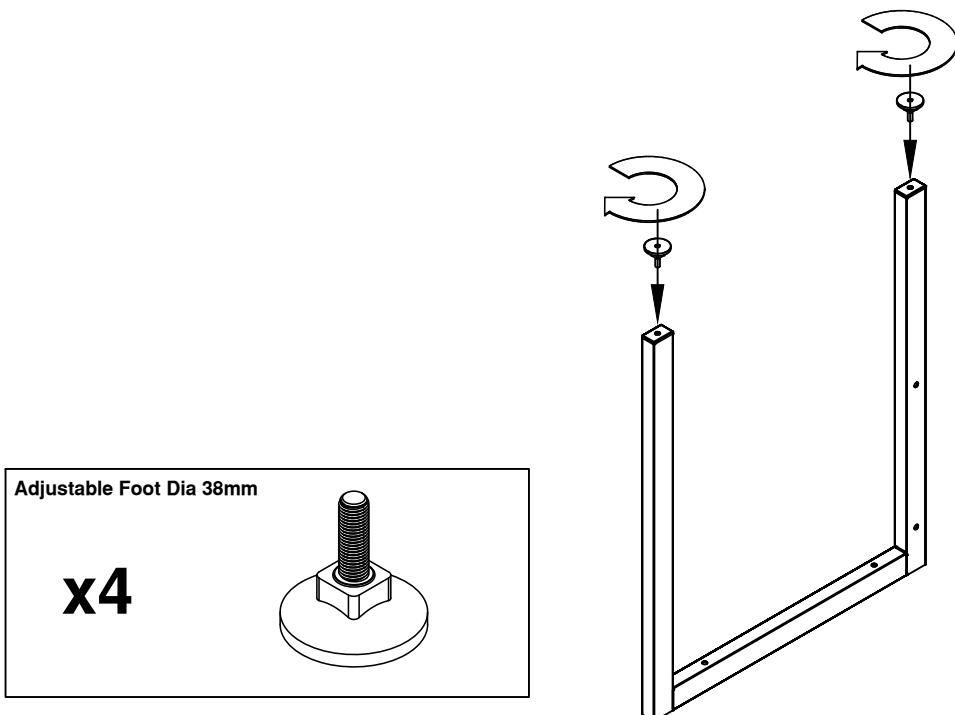
1

Step 1
Place your desktop face down onto a clean dry surface and knock the nylon inserts into the pre drilled holes on the underside of the desktop.



2

Step 2
Screw the 38mm adjustable feet into the bottom of each leg.

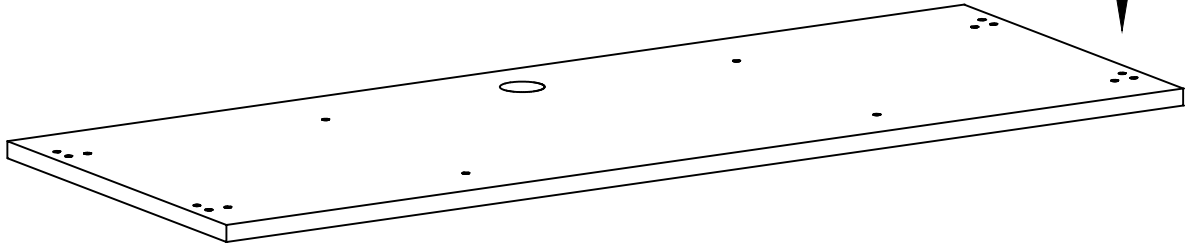
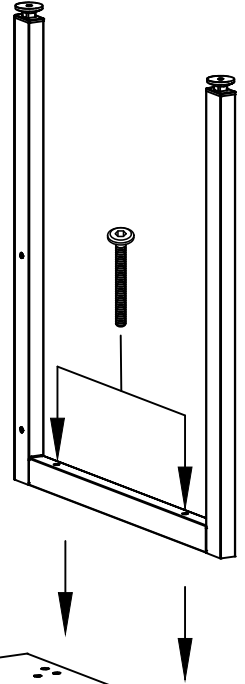


3

Step 3
Fix the leg to the desktop using the M6x50mm connect bolts.

Connect Bolt M6 x 50mm

x2

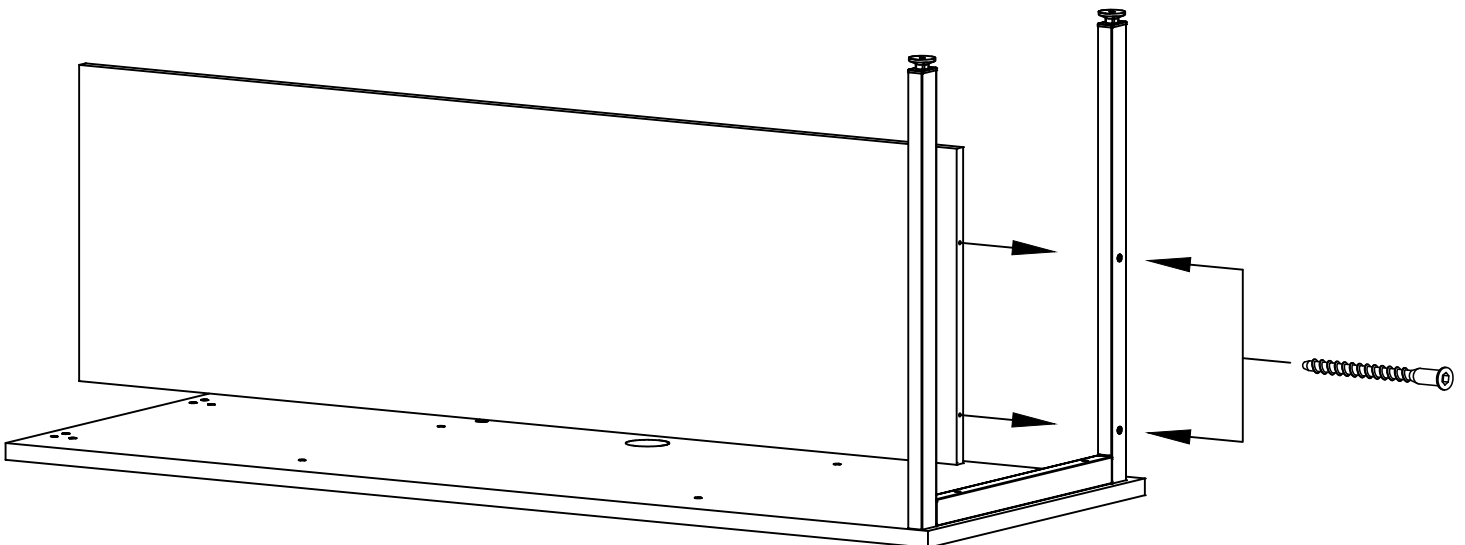


4

Step 4
Attach the leg to the modesty panel using the 70mm confirmat screws.

Confirmat Screw 70mm

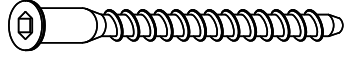
x2

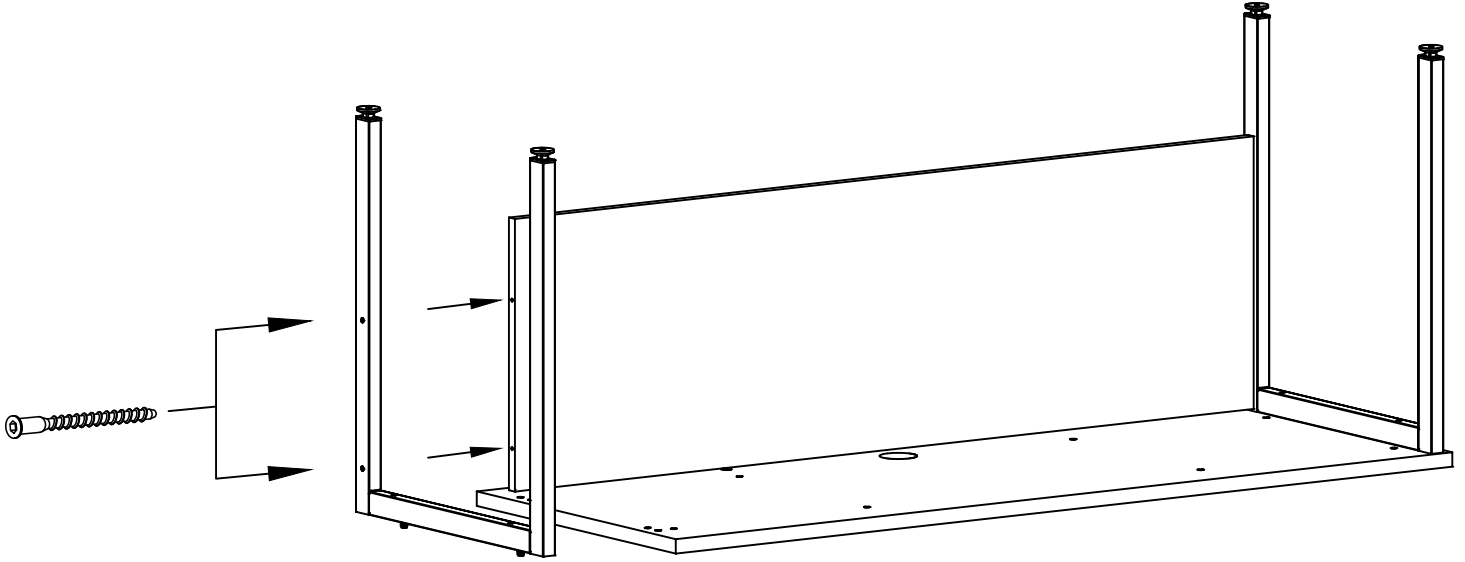


5

Step 5
Attach the leg to the
modesty panel using the
70mm confirmat screws.

Confirmat Screw 70mm (Silver)

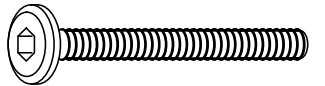
x2 

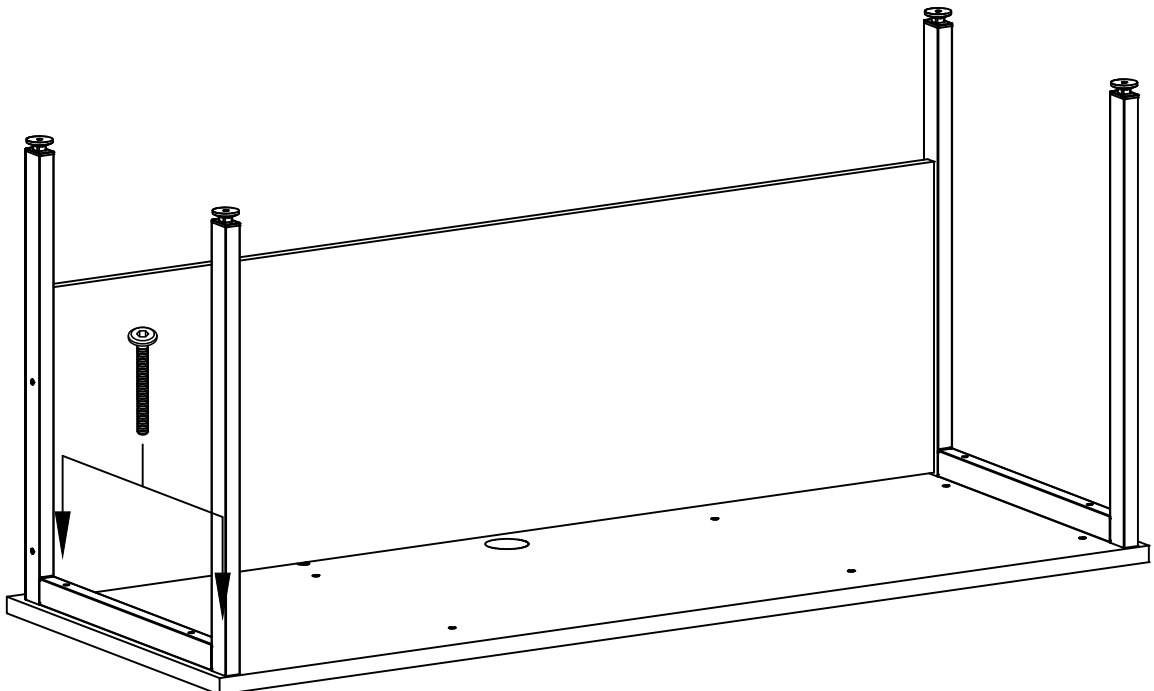


6

Step 6
Fix the leg to the desktop using
the M6x50mm connect bolts.

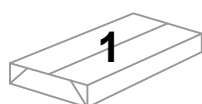
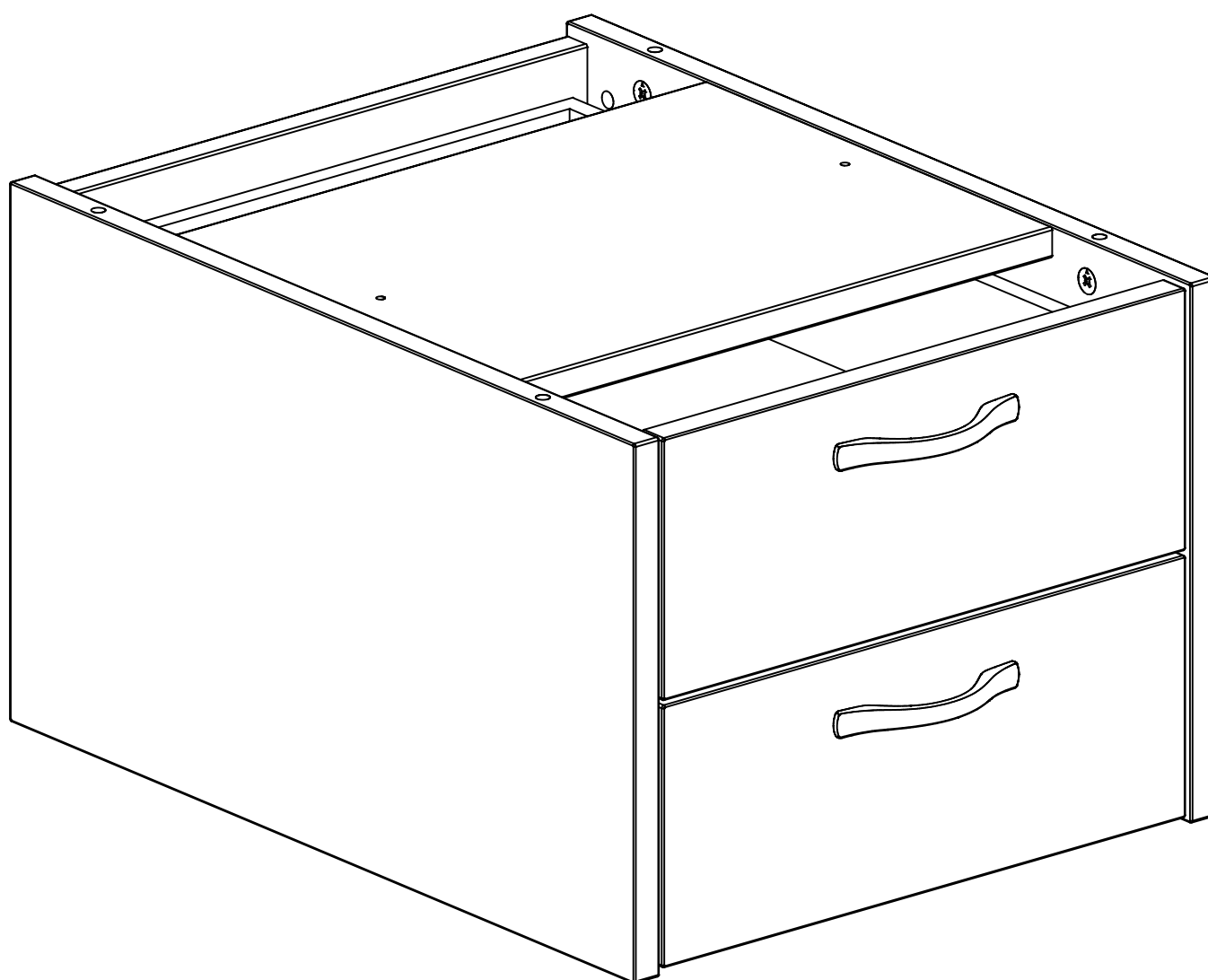
Connect Bolt M6x50mm

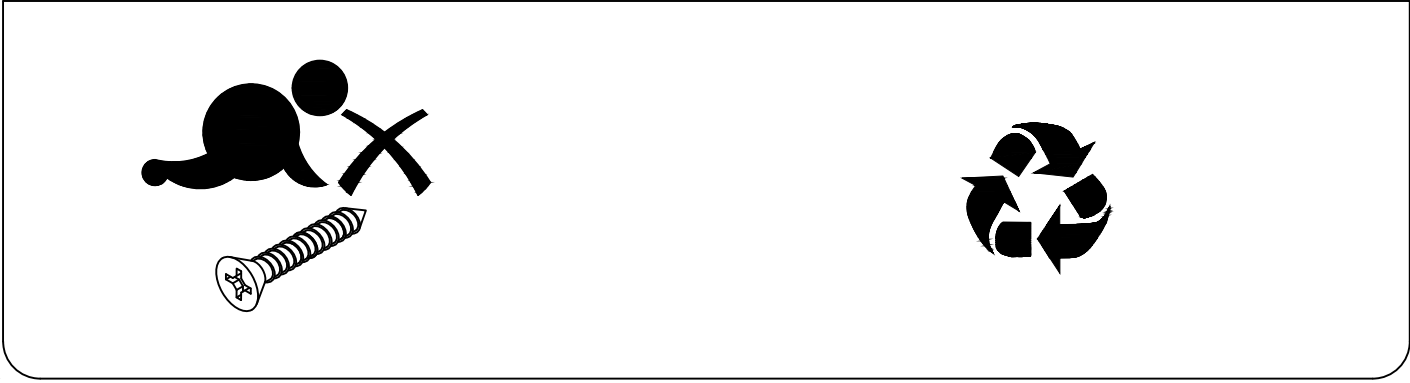
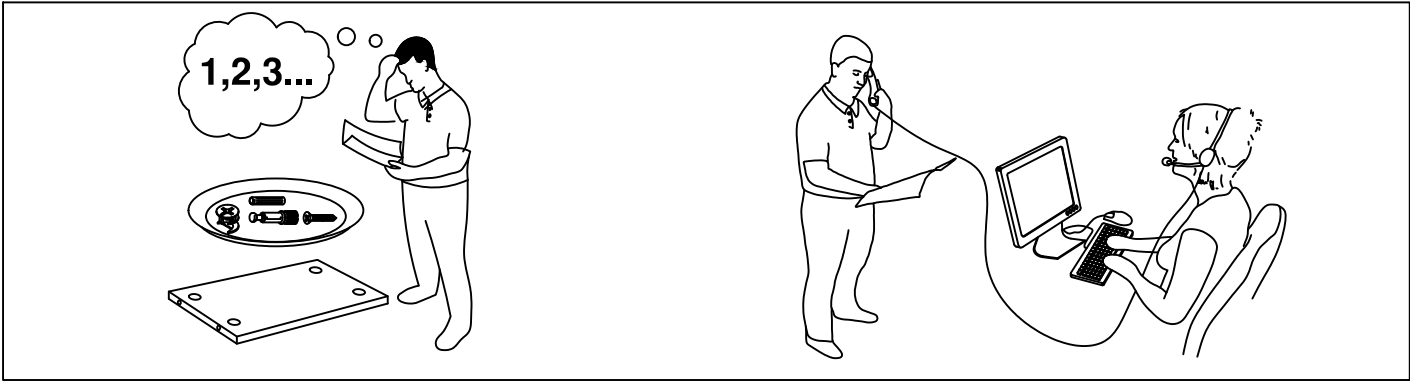
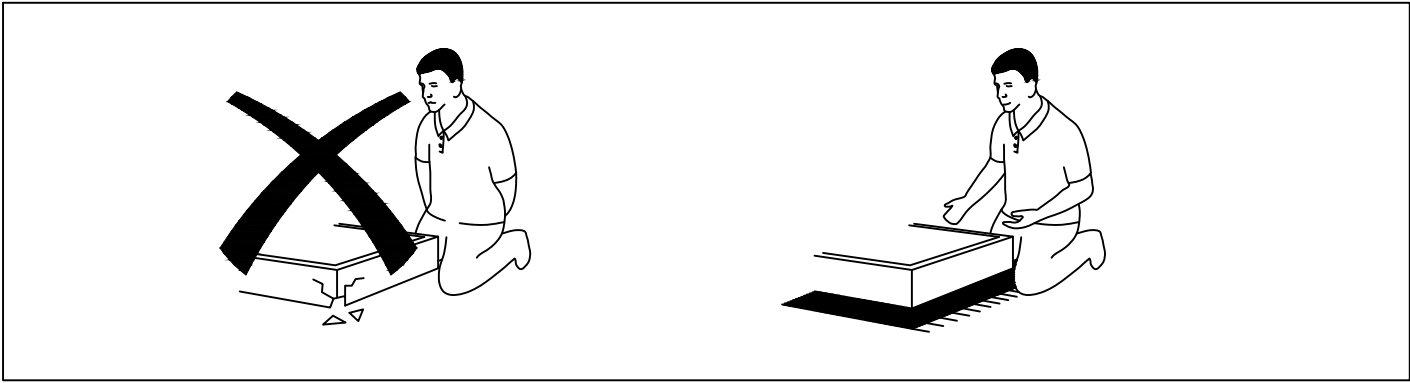
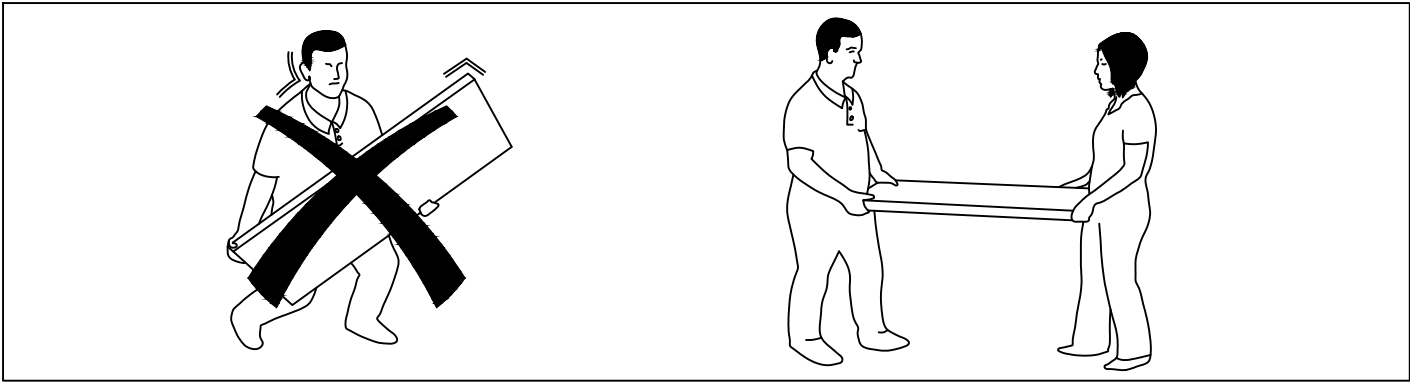
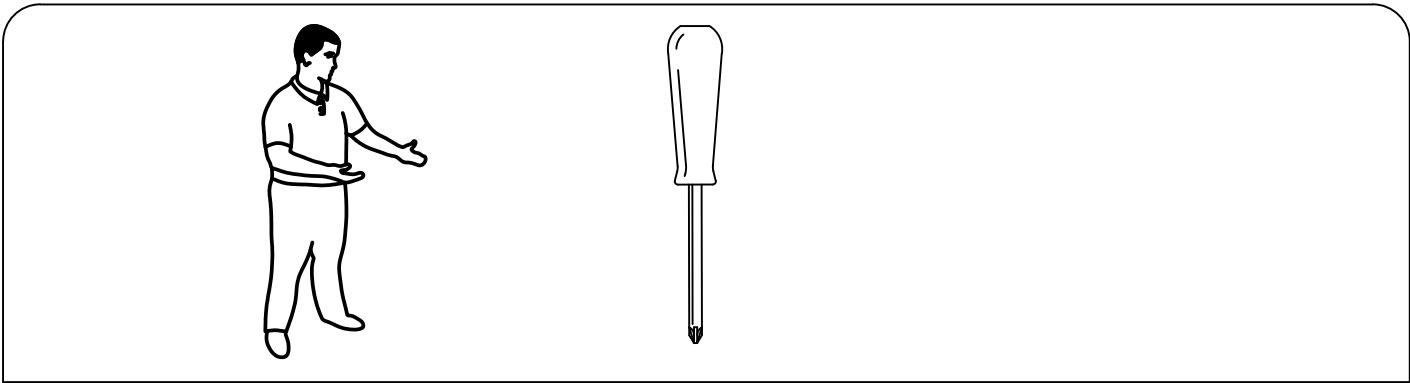
x2 



S2F

Shallow Desk Pedestal

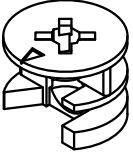




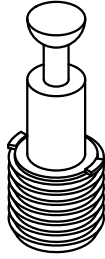


Please check that you have all the fittings

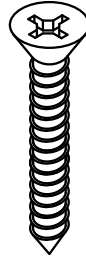
S2F



4 Minifix cam 15N
CAM03



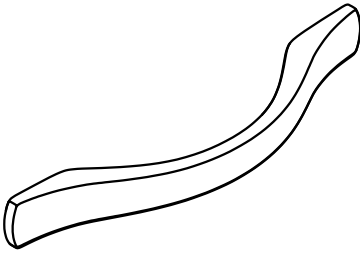
4 Quickfix spread bolt
BLT06



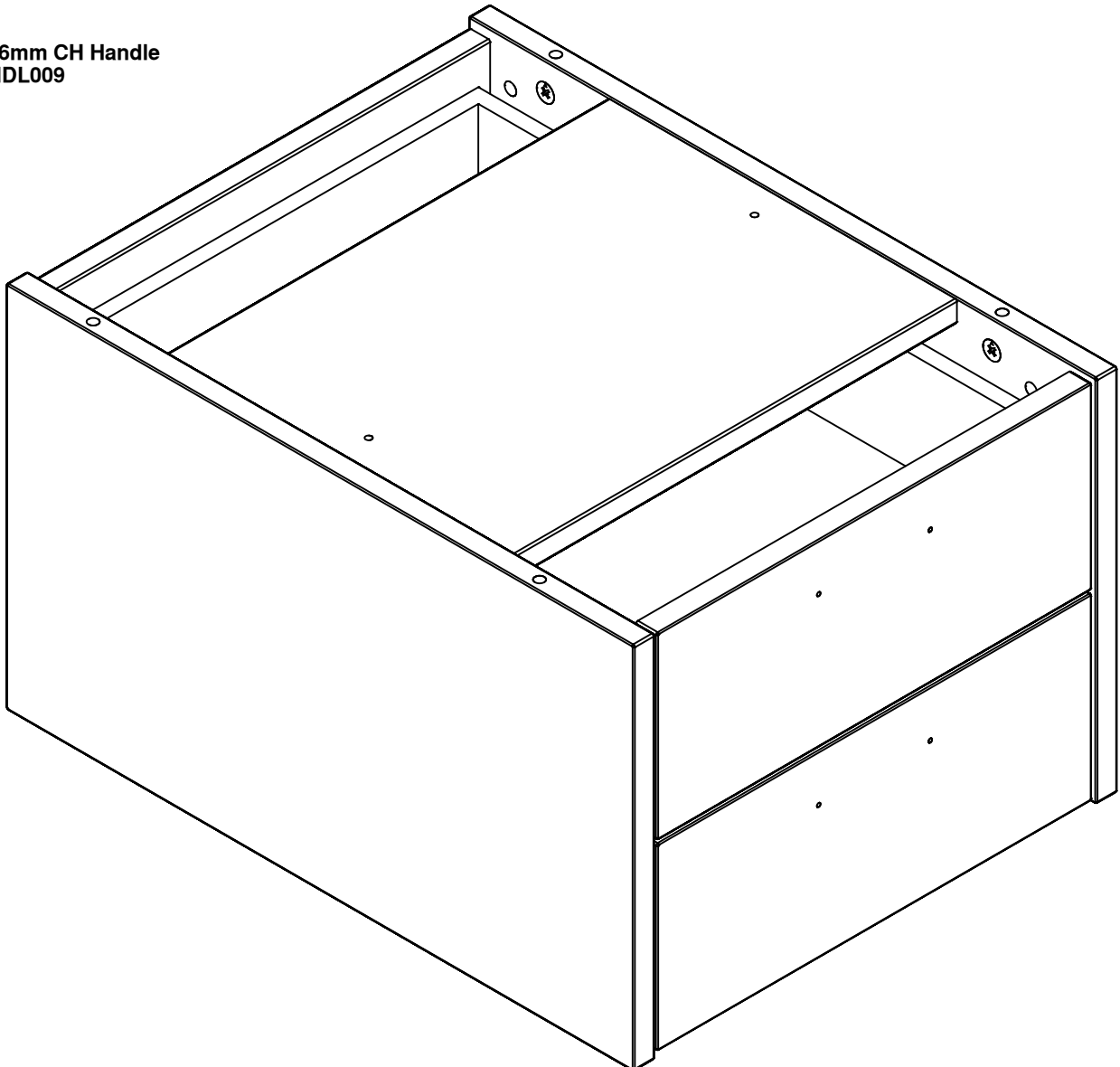
4 1 1/4 x 8 screw
SCR12



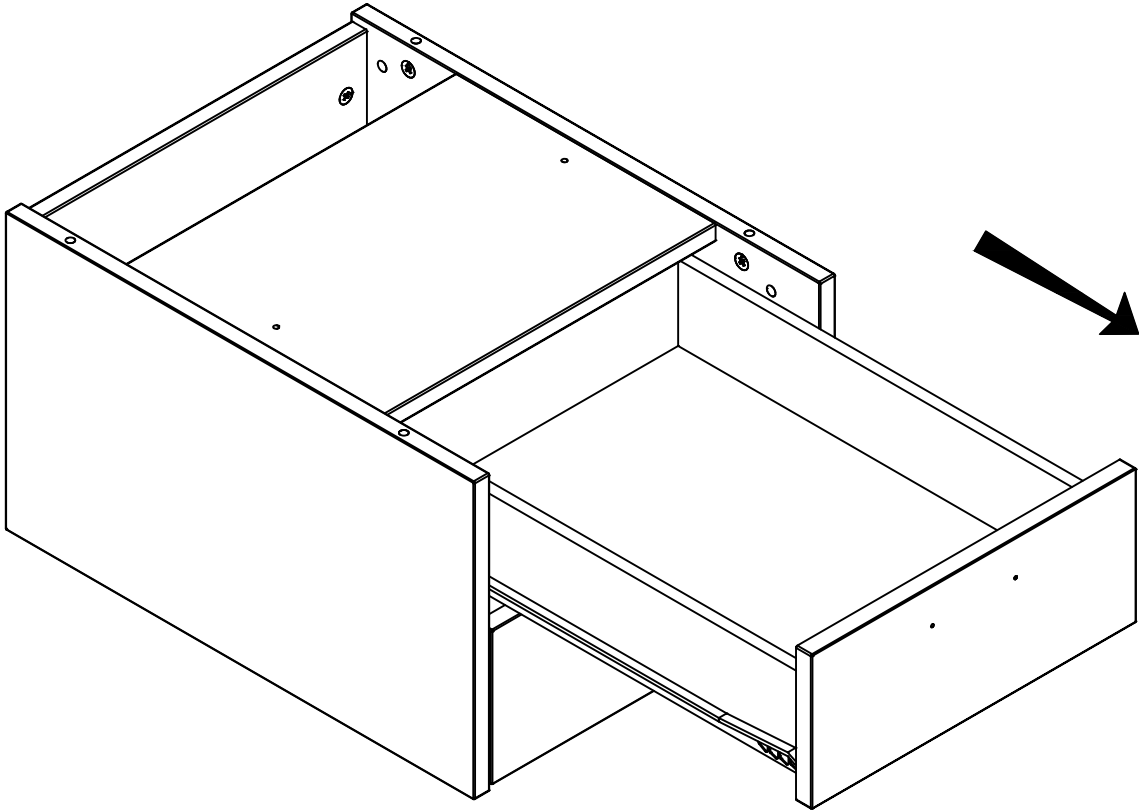
4 M4x22 COMBI BOLT
SCR25



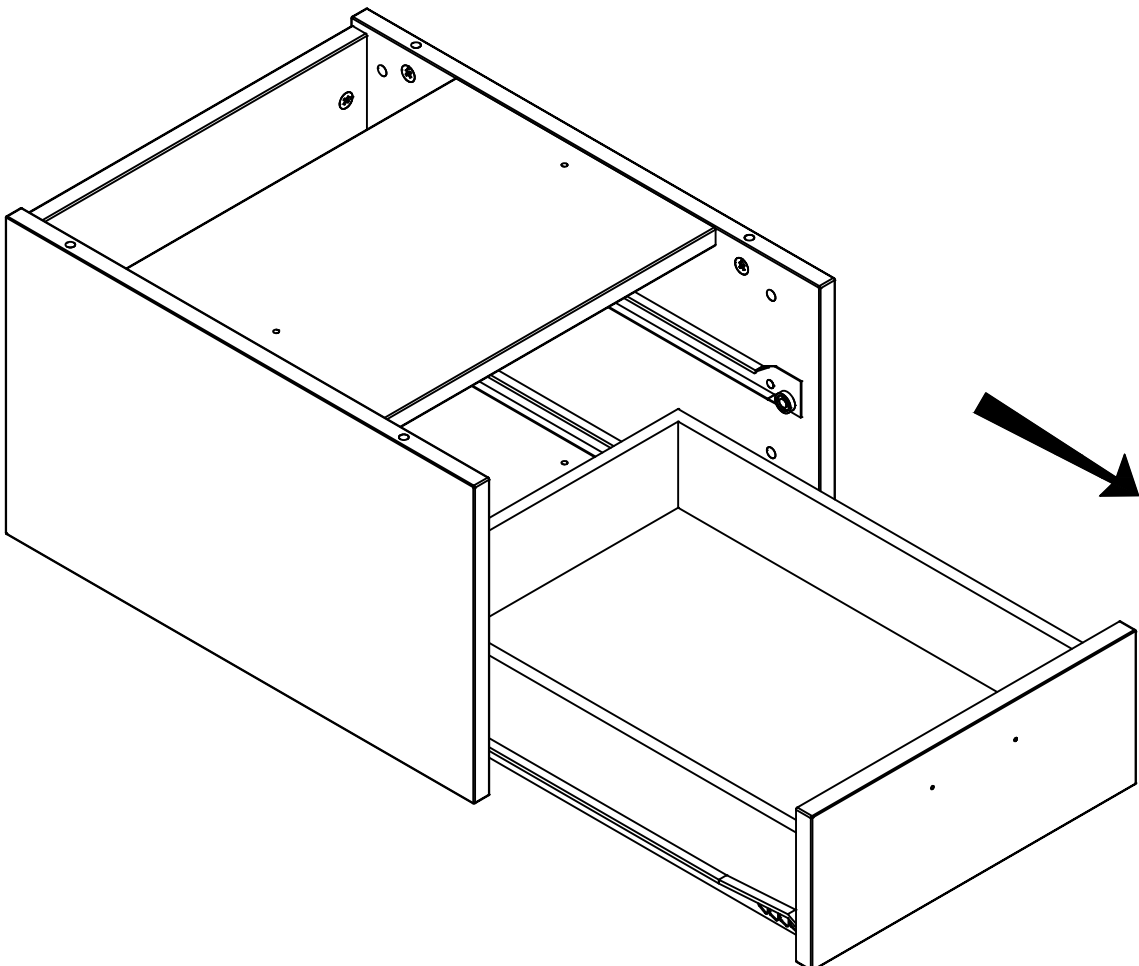
4 96mm CH Handle
HDL009

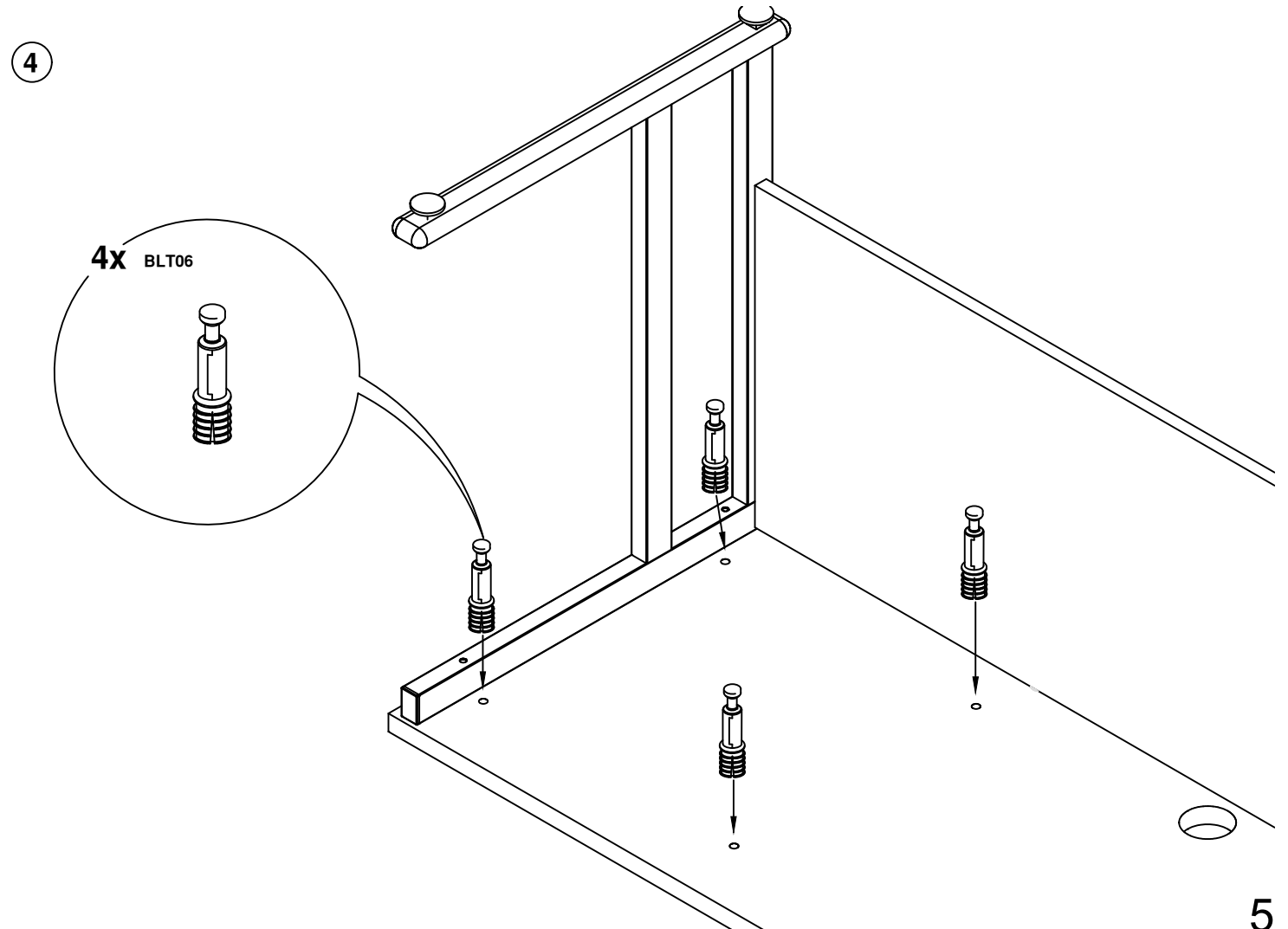
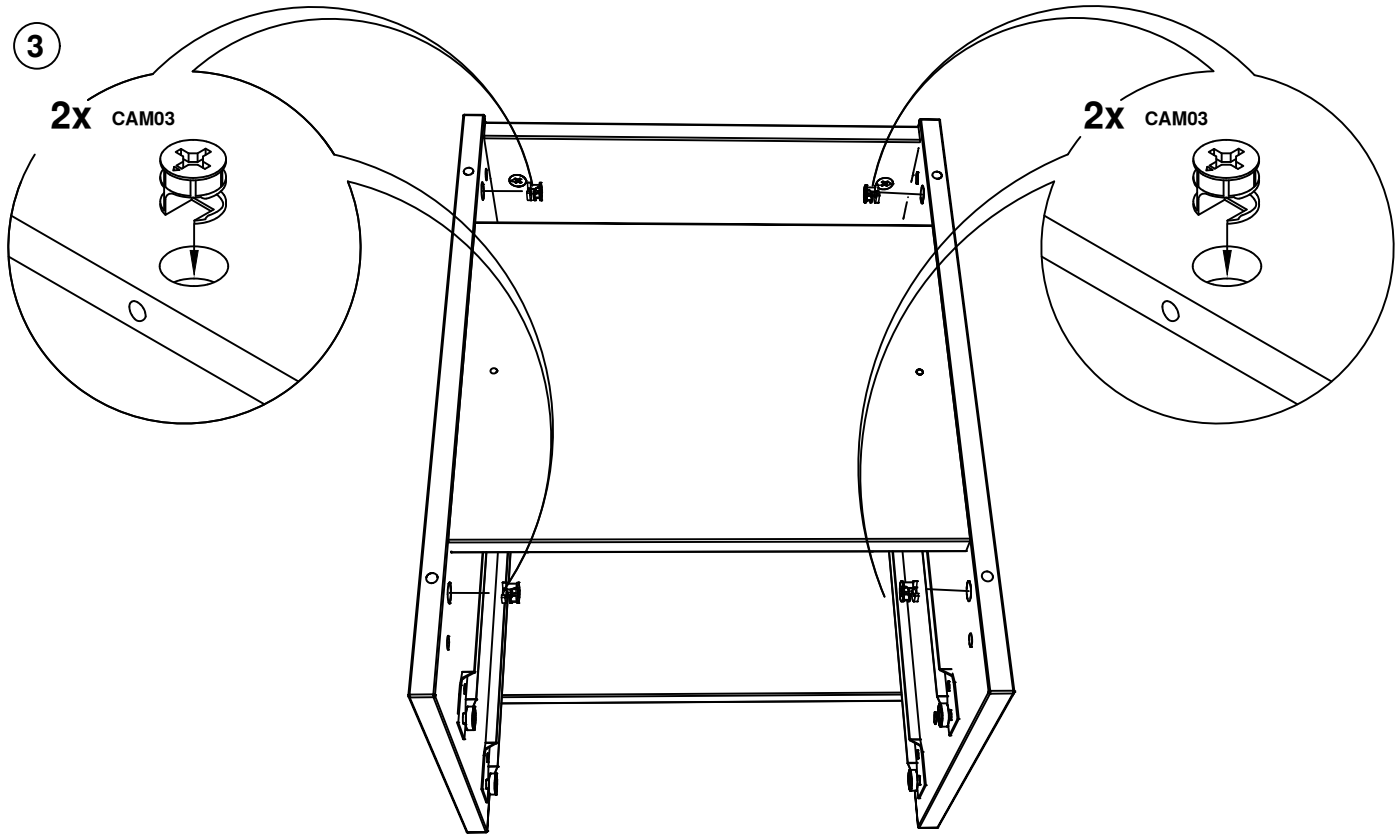


1

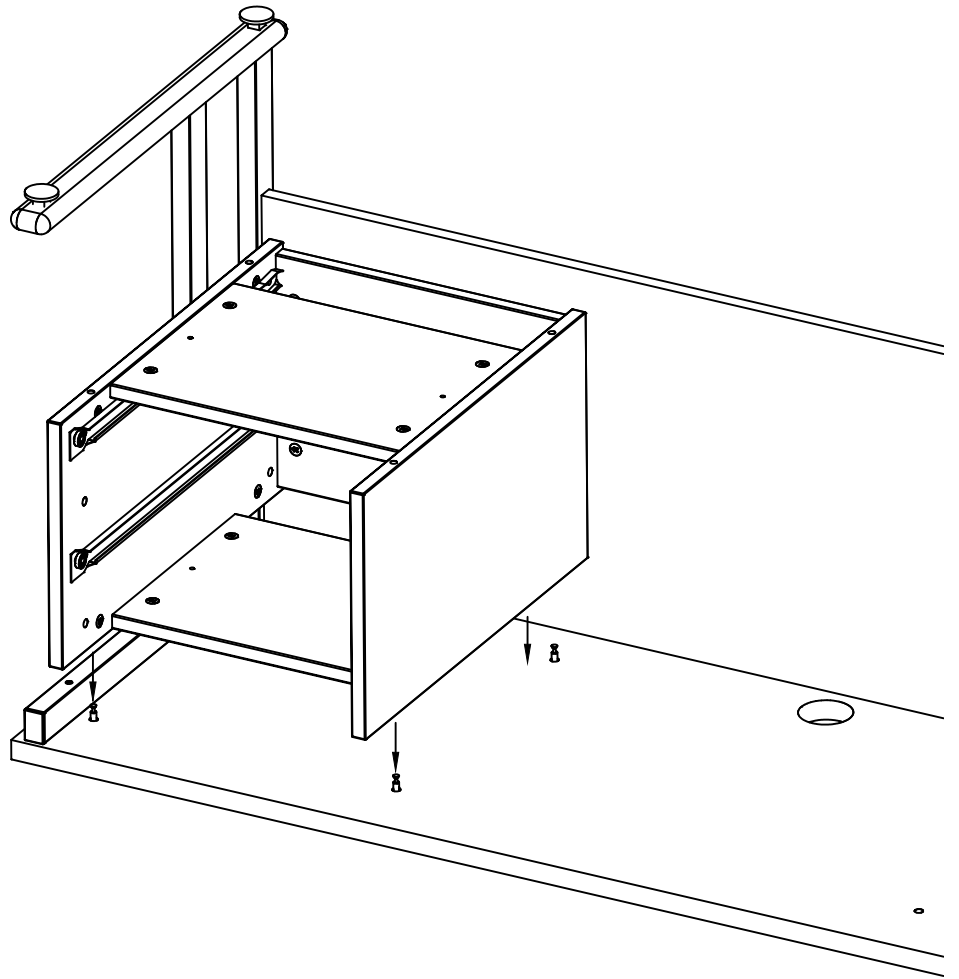
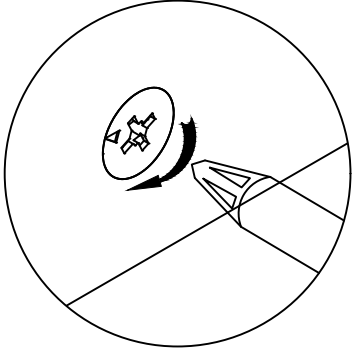
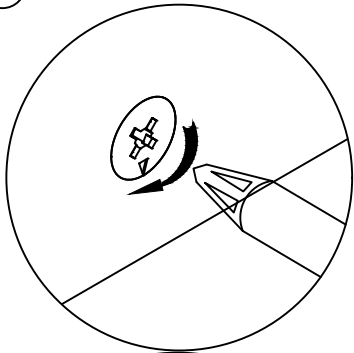


2

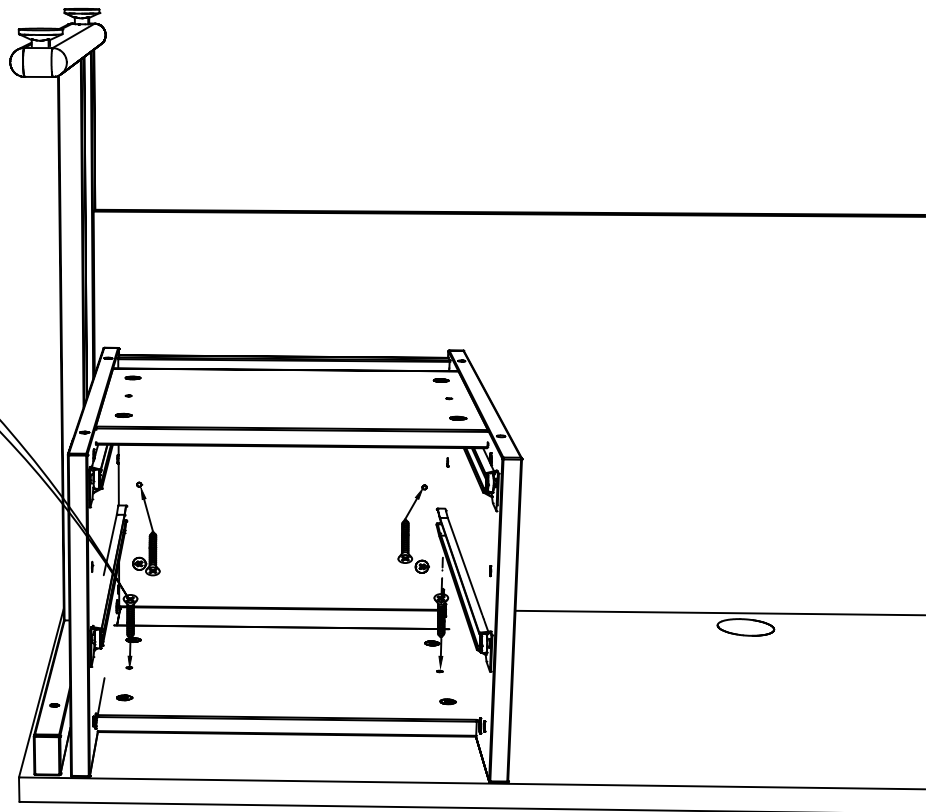
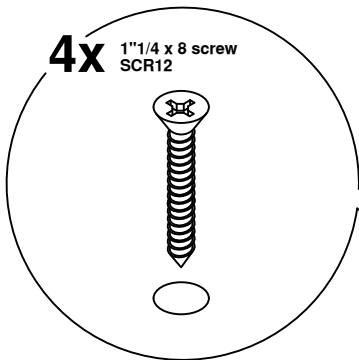




5

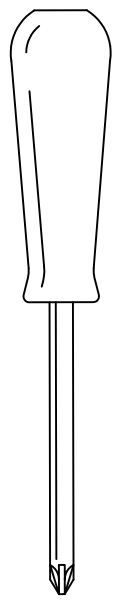
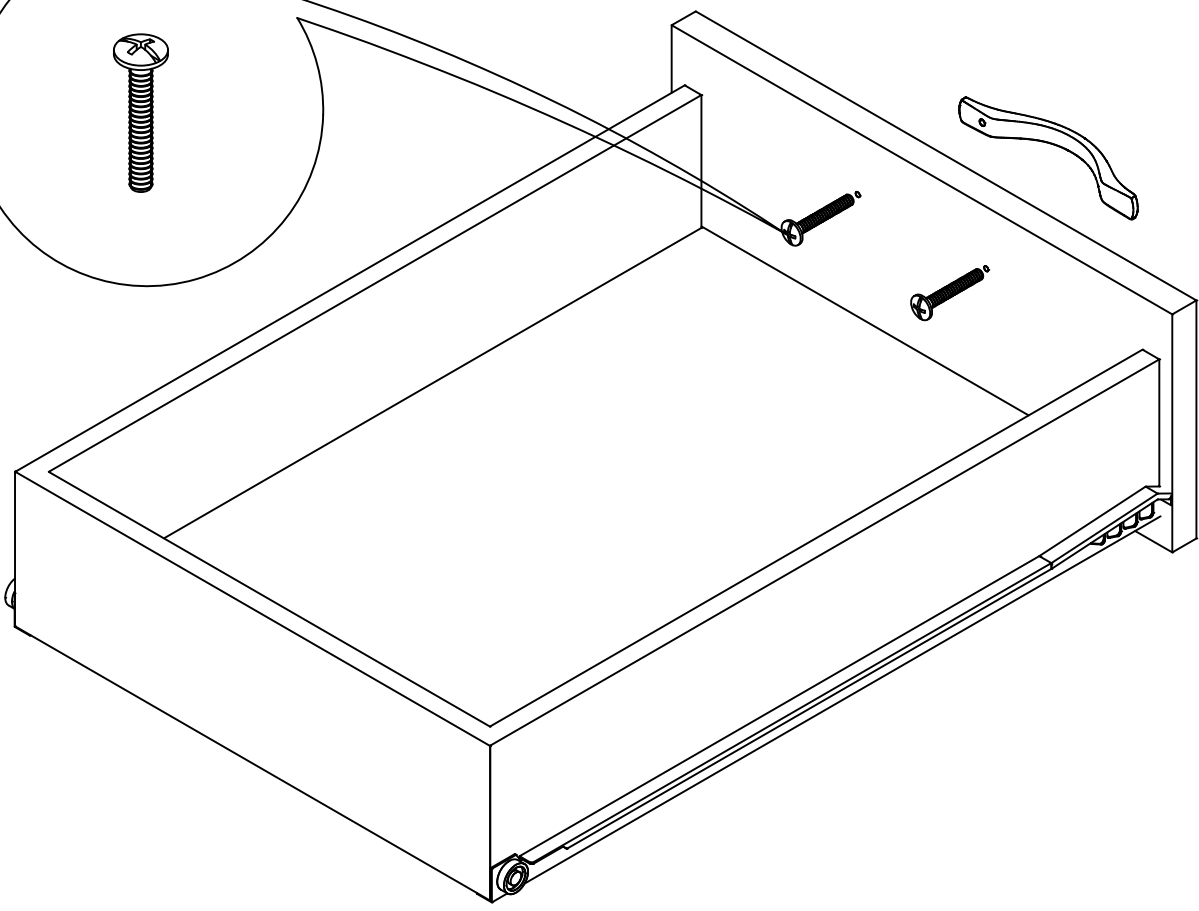


6

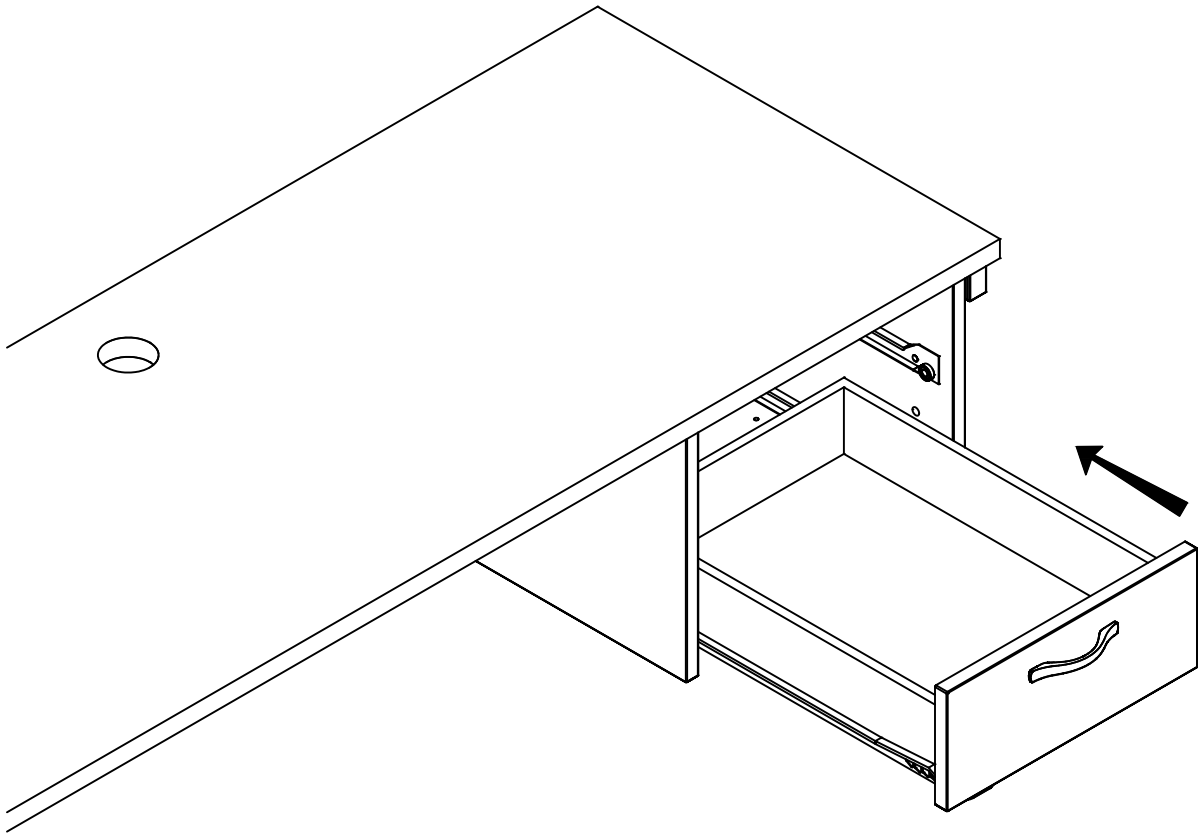


7

2x M4x22 COMBI BOLT
SCR25



9



10

