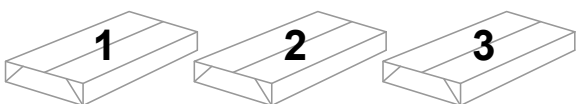
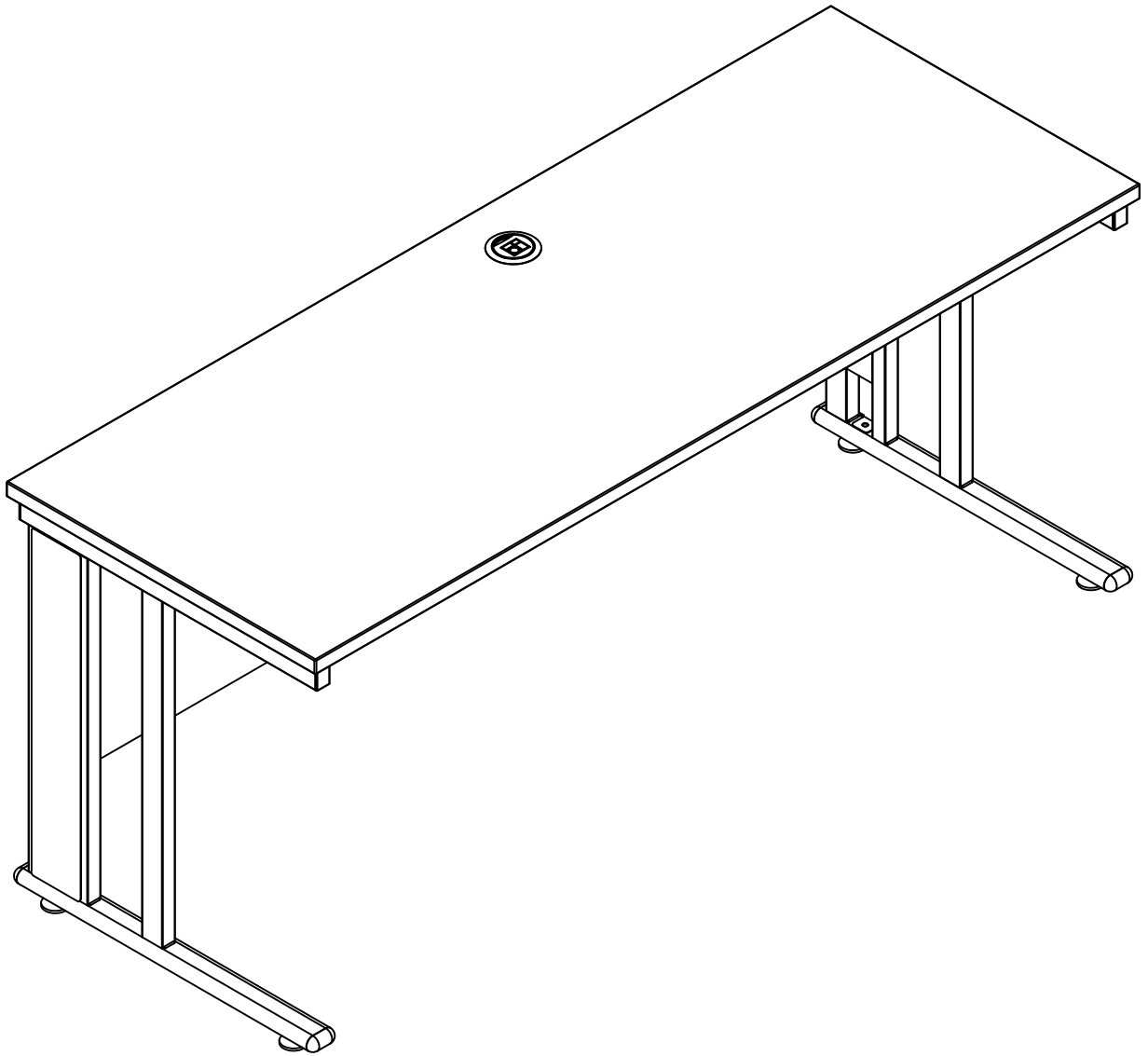
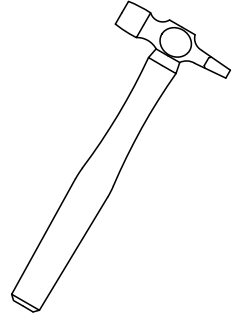
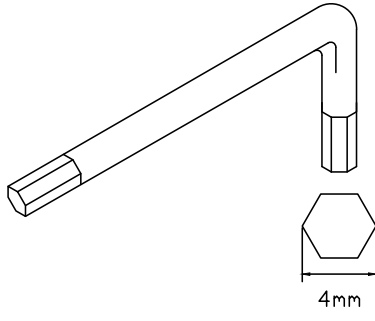
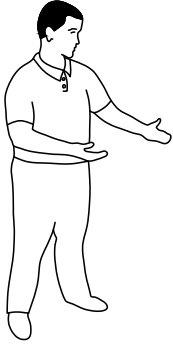


# MCM256

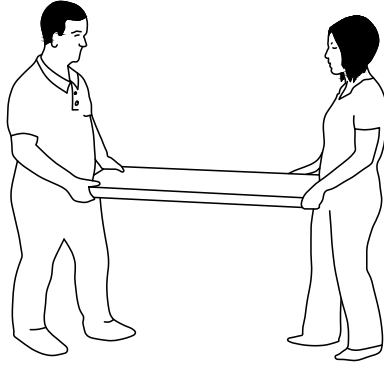
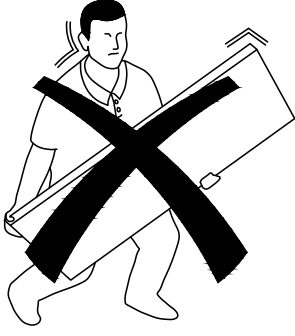
600mm Cable Managed Leg Frame



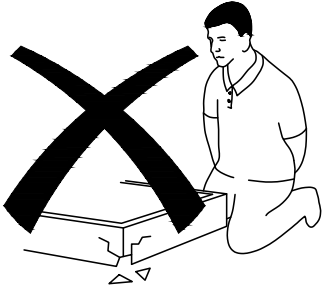
**TOOLS REQUIRED  
FOR ASSEMBLY**



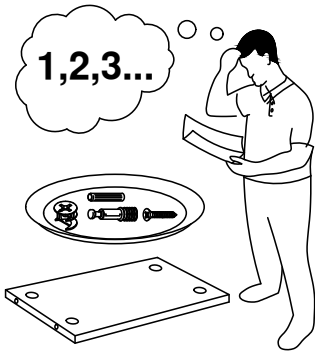
**DONT STRUGGLE  
2 MAN LIFT**



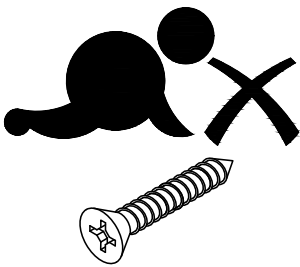
**ALWAYS HANDLE  
ITEMS WITH CARE**



**IF UNSURE CALL  
FOR ASSISTANCE**

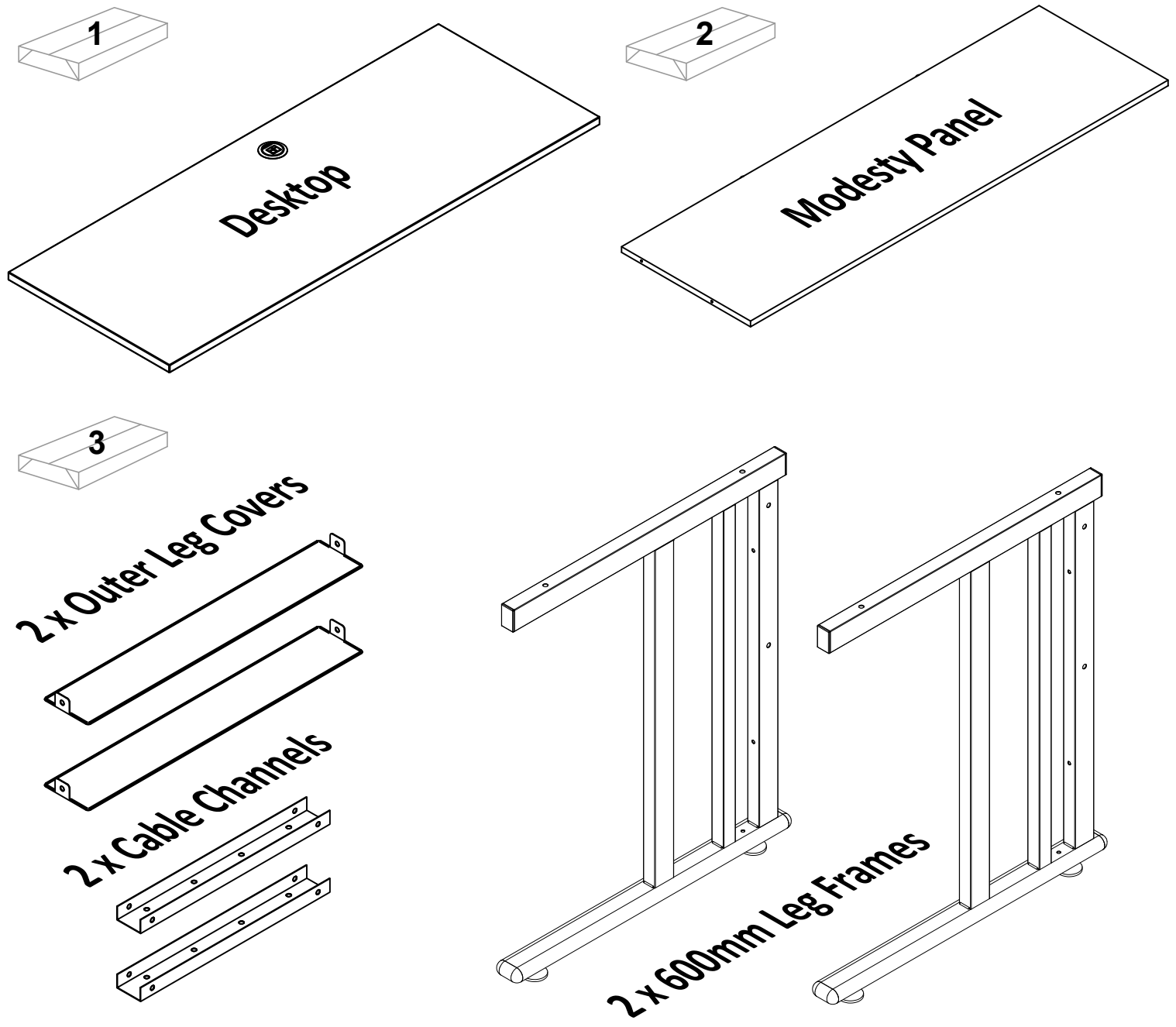


**KEEP FITTINGS AWAY  
FROM CHILDREN**

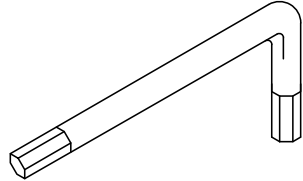
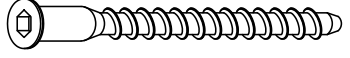
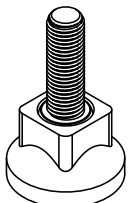

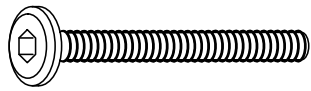
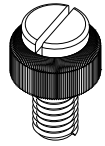
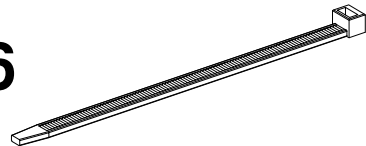




Please check that you have all the components!

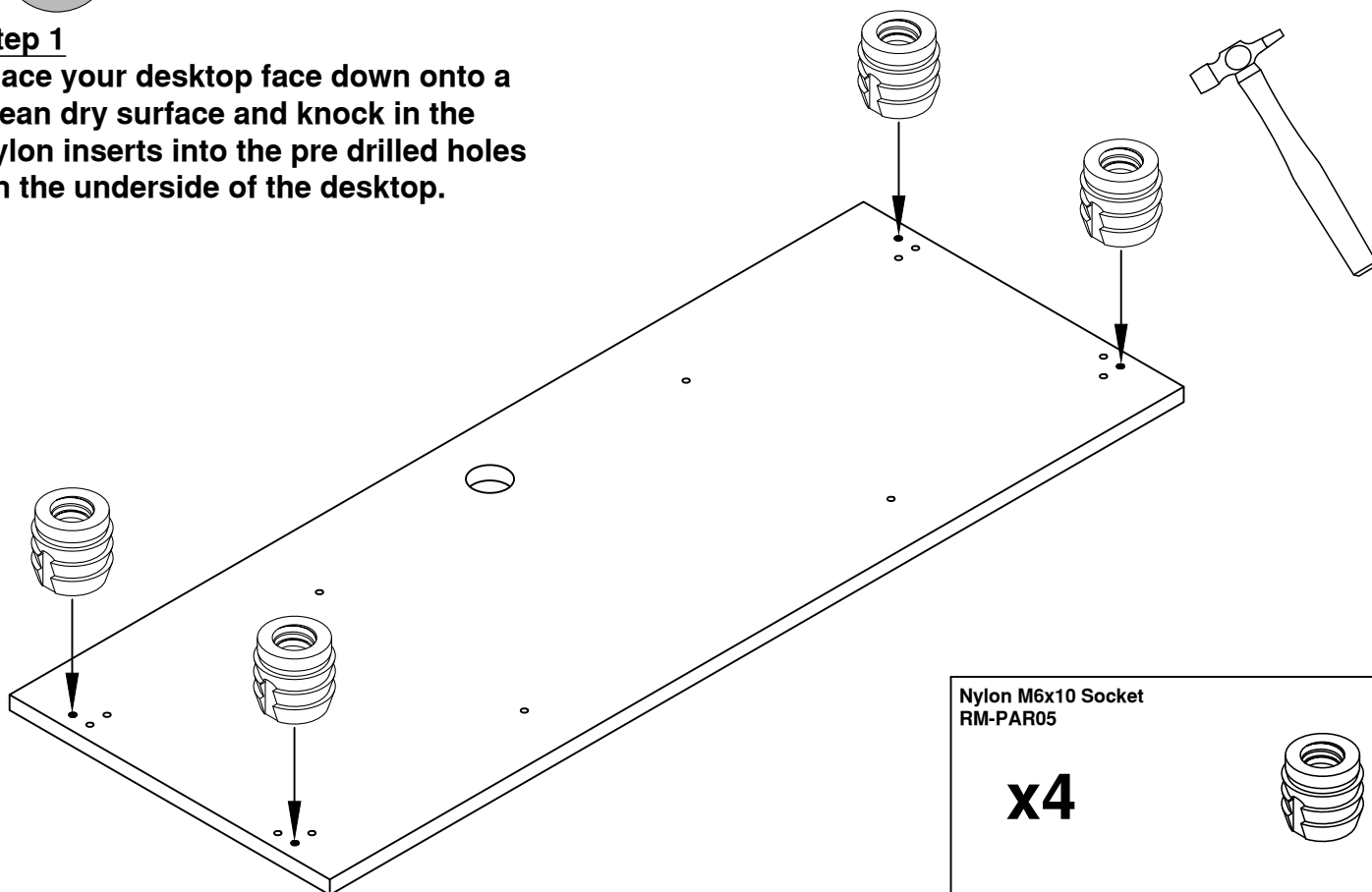


Please check that you have all the hardware!

<p>4mm Allen Key RM-ALK01</p> <p><b>x1</b></p> 	<p>Confirmat Screw 70mm (Silver) RM-CFM04</p> <p><b>x4</b></p> 	<p>Adjustable Foot Dia 38mm RM-FRL20</p> <p><b>x4</b></p> 	
<p>Nylon M6x10 Socket RM-PAR05</p> <p><b>x4</b></p> 	<p>Connect Bolt M6x50mm RM-BLT05</p> <p><b>x4</b></p> 	<p>M6x10mm Thumbscrew</p> <p><b>x10</b></p> 	<p>Cable Tie</p> <p><b>x6</b></p> 

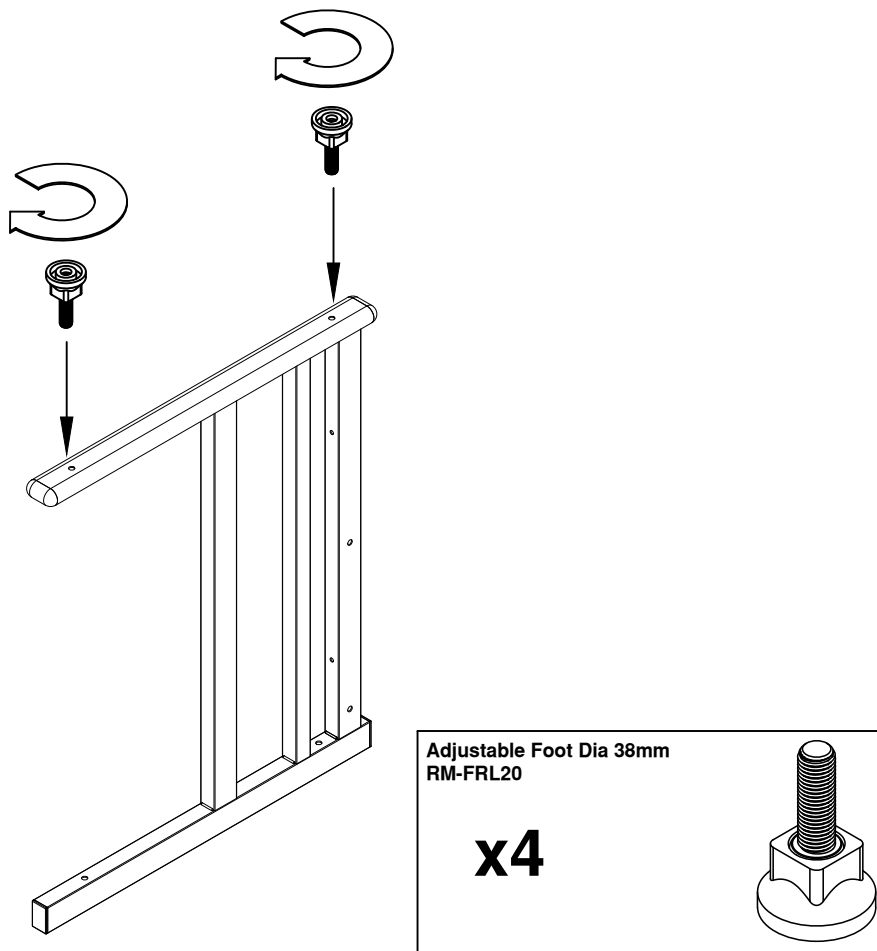
1

**Step 1**  
Place your desktop face down onto a clean dry surface and knock in the nylon inserts into the pre drilled holes on the underside of the desktop.



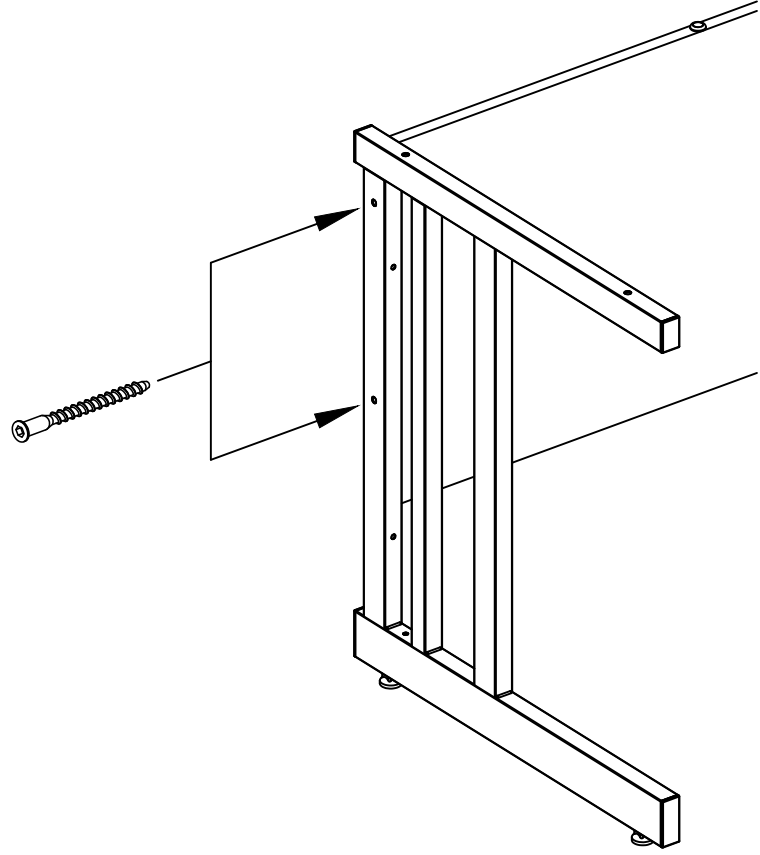
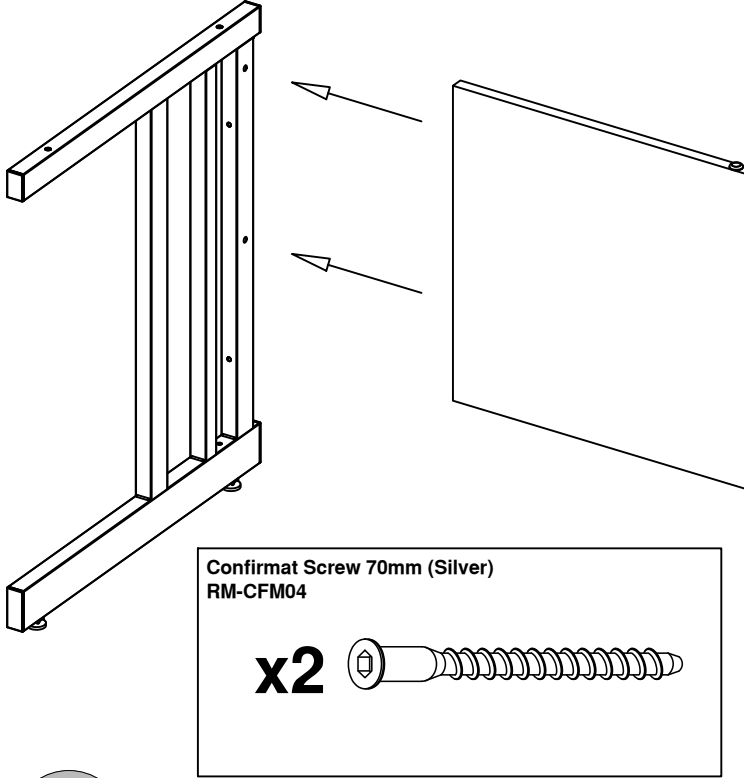
2

**Step 2**  
Screw the 38mm adjustable feet into the bottom of both leg frames.



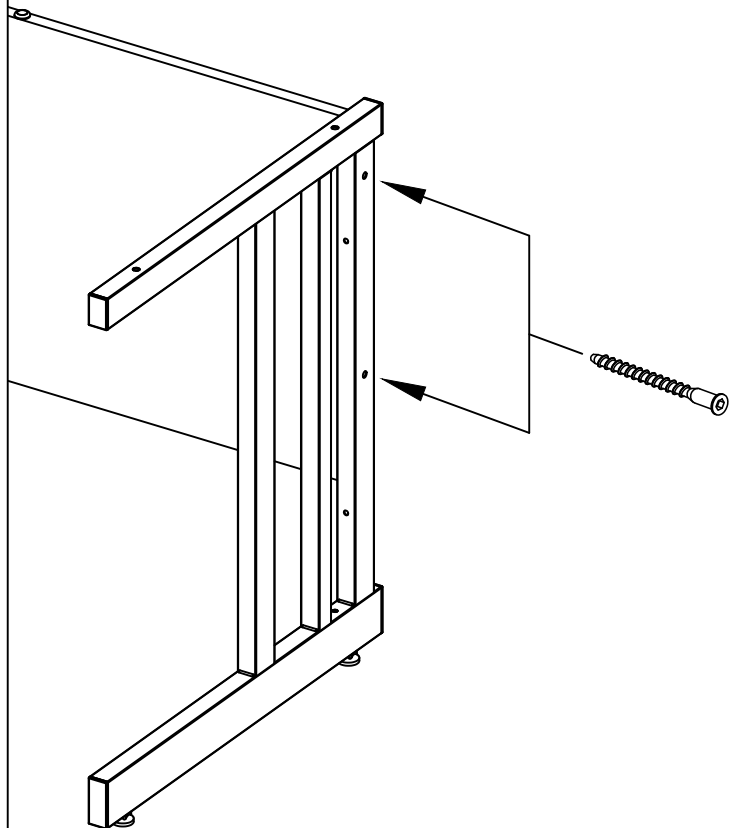
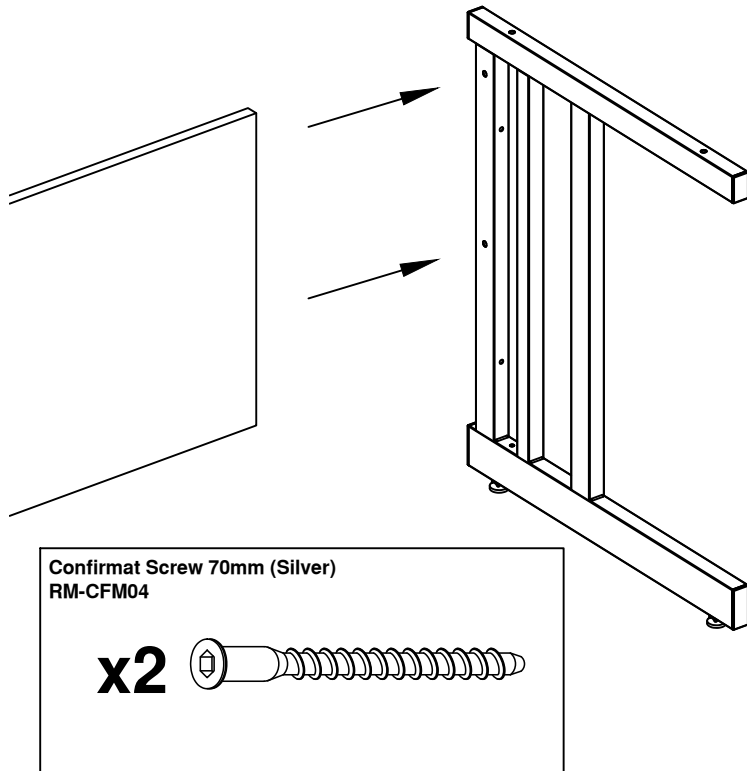
3

**Step 3**  
Attach the LH leg to the modesty panel using the 70mm confirmat screws.



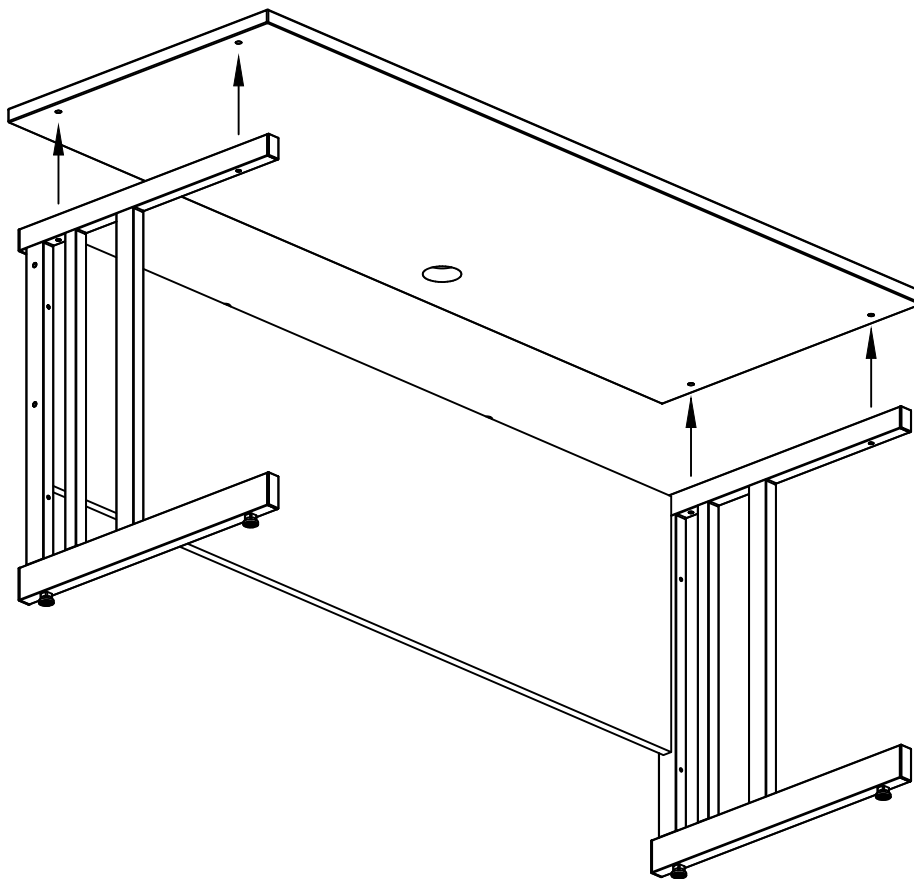
4

**Step 4**  
Attach the RH leg to the modesty panel using the 70mm confirmat screws.



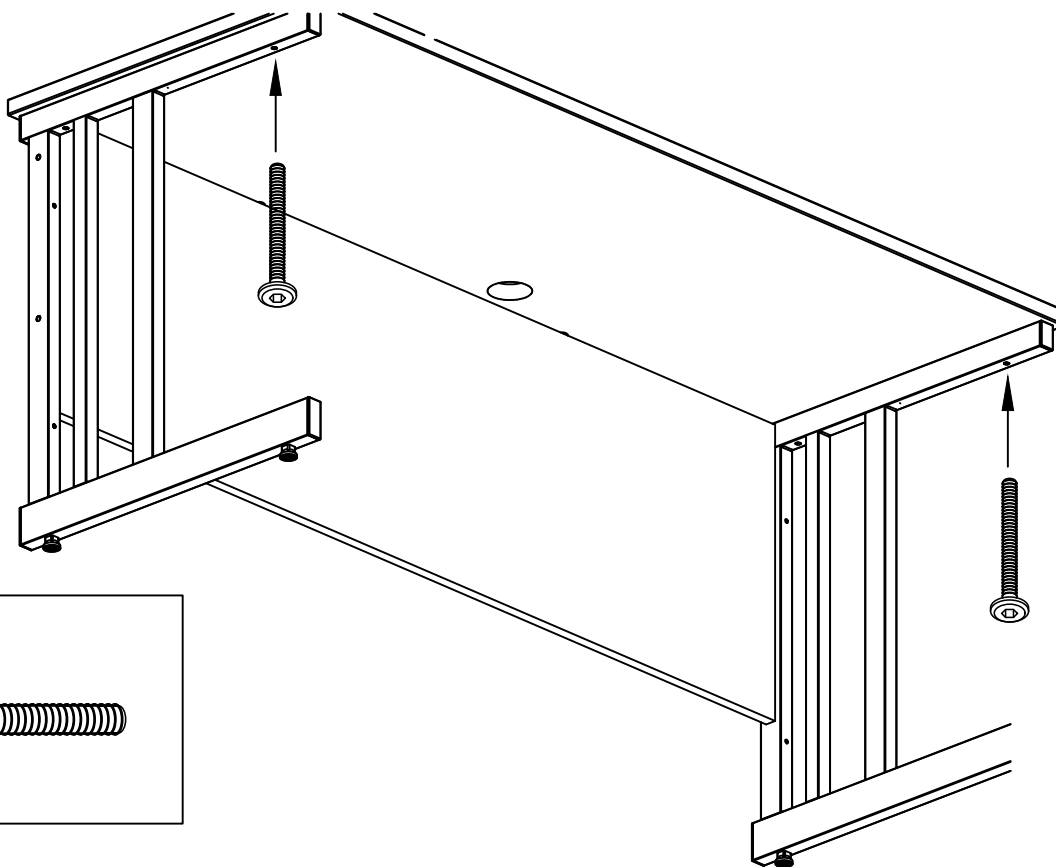
5

**Step 5**  
Position the desktop  
onto the frame  
ensuring the fixing  
points are aligned  
with the threaded  
inserts in the desktop.



6

**Step 6**  
Fix the desktop to the  
frame using the  
M6x50mm connect  
bolts, do not insert the  
rear fixings at this  
point, these are  
inserted during the final  
step of installation.



Connect Bolt M6x50mm  
RM-BLT05

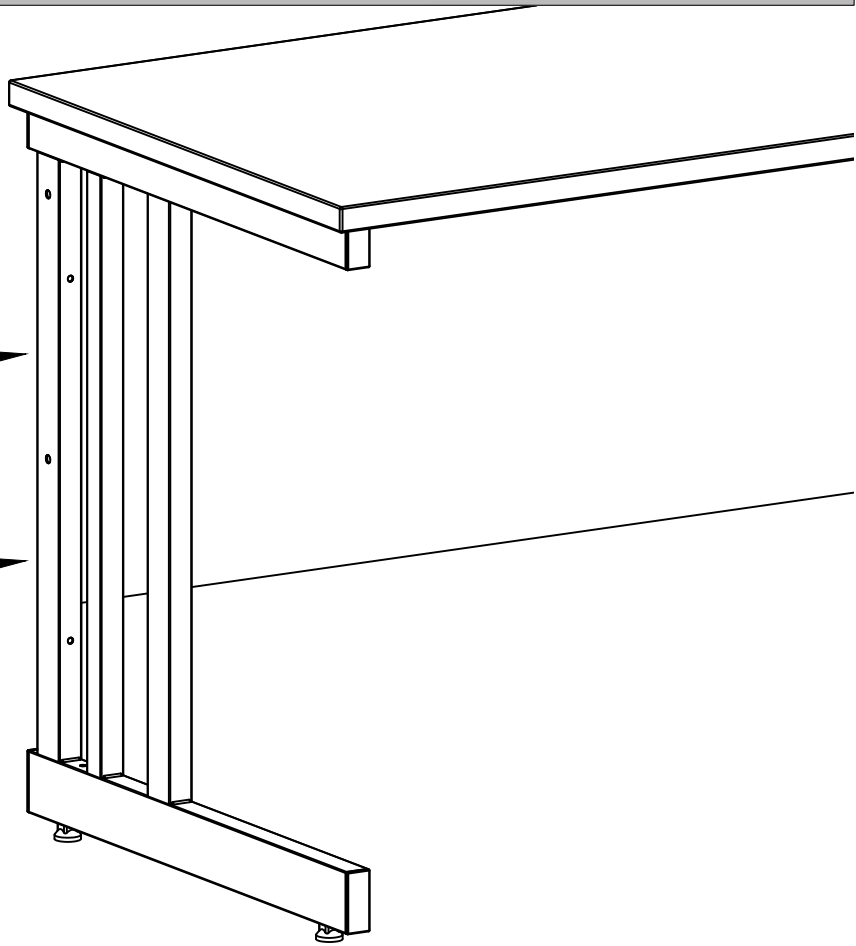
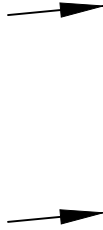
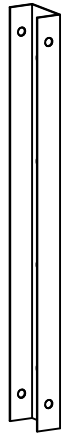
x2



7

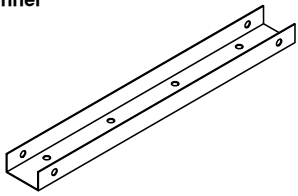
**Step 7**  
Insert the cable channel into the opening between the uprights.

Repeat this step for both legs.



Cable Channel

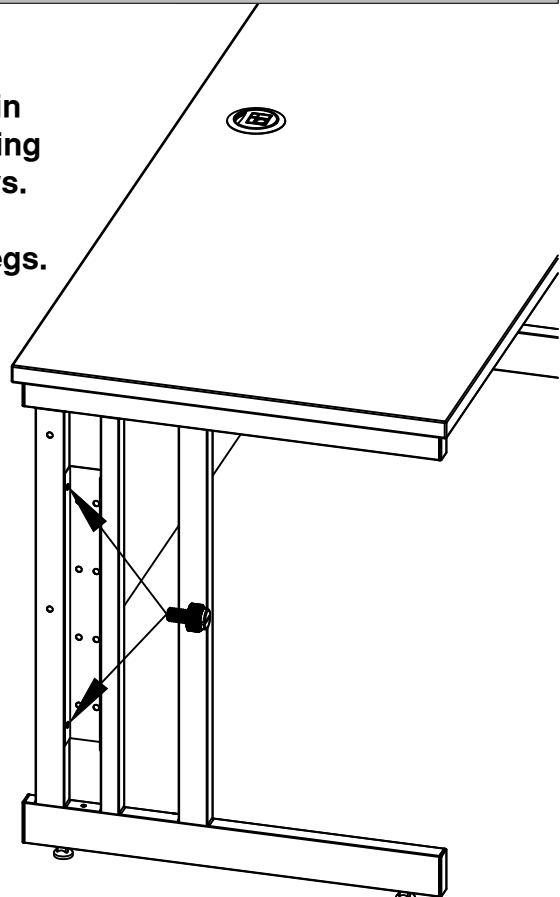
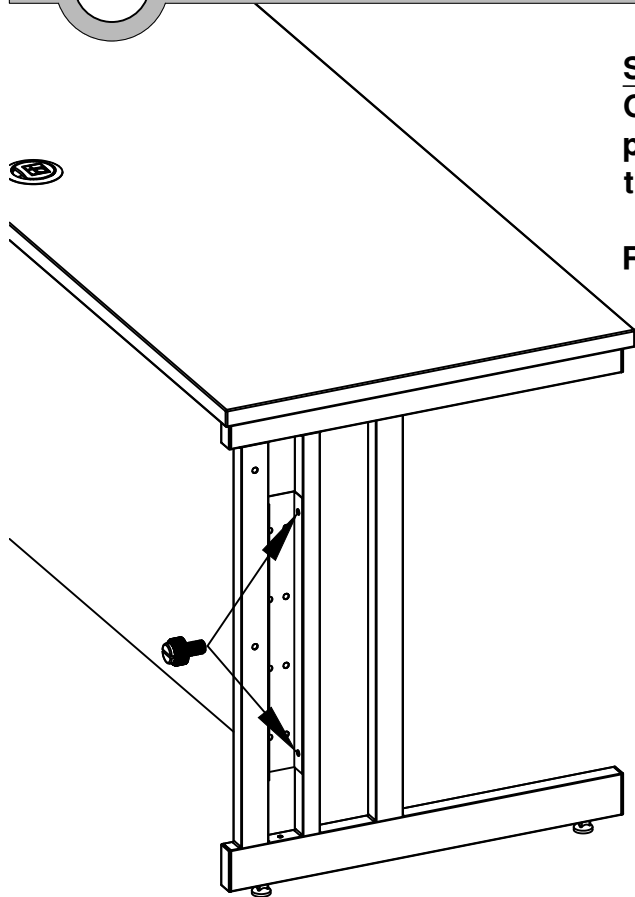
x2



8

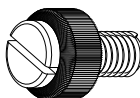
**Step 8**  
Once the cable channel is in place fix it into position using the M6x10mm thumbscrews.

Repeat this step for both legs.



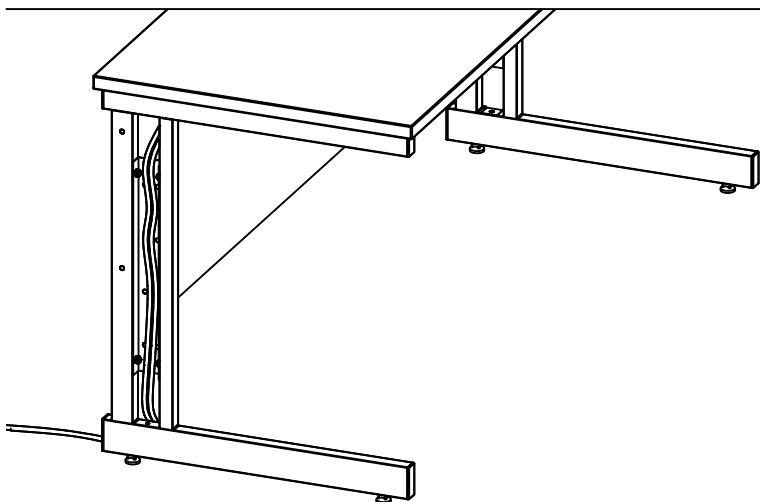
M6x10mm Thumbscrew

x8



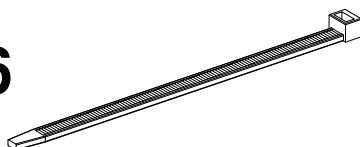
9

**Step 9**  
Feed any cables up through the cable channel from the inside of the leg. If needed use the cable ties to fasten them to the cable channel.



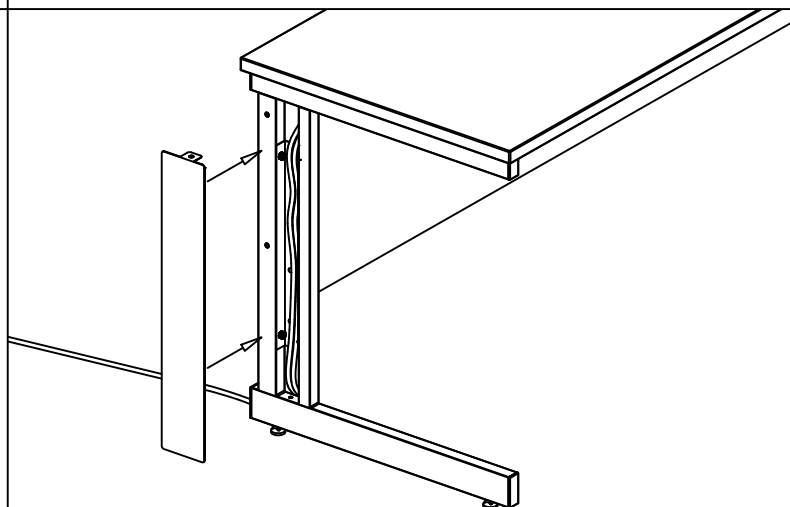
Cable Tie

x6



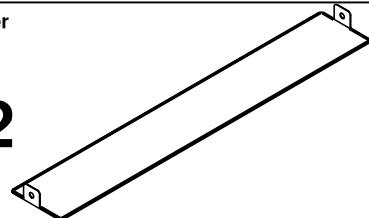
10

**Step 10**  
Insert the cable cover into the opening between the uprights. Repeat this step for both legs.



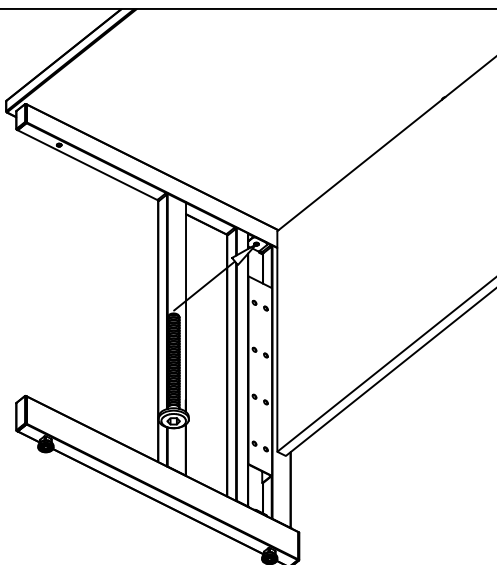
Cable Cover

x2



11

**Step 11**  
Attach the cable cover using the M6x50mm connect bolt, this bolt should pass through the leg and fix directly into the threaded insert in the desktop.



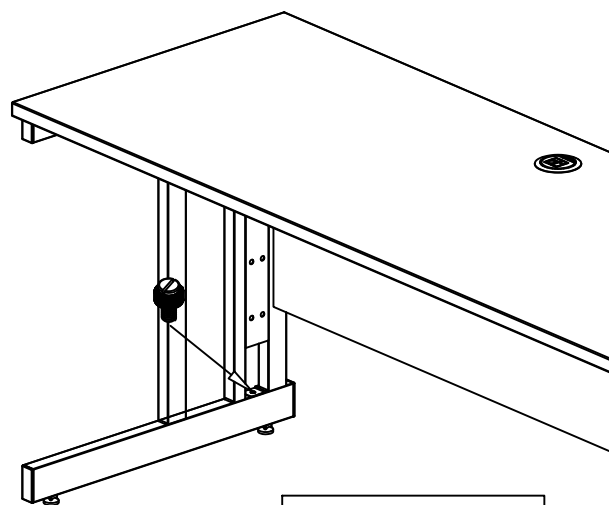
Connect Bolt M6x50mm  
RM-BLT05

x2



12

**Step 12**  
Attach the cable cover using the M6x10mm thumbscrew. Repeat this step for both legs.



M6x10mm Thumbscrew

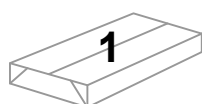
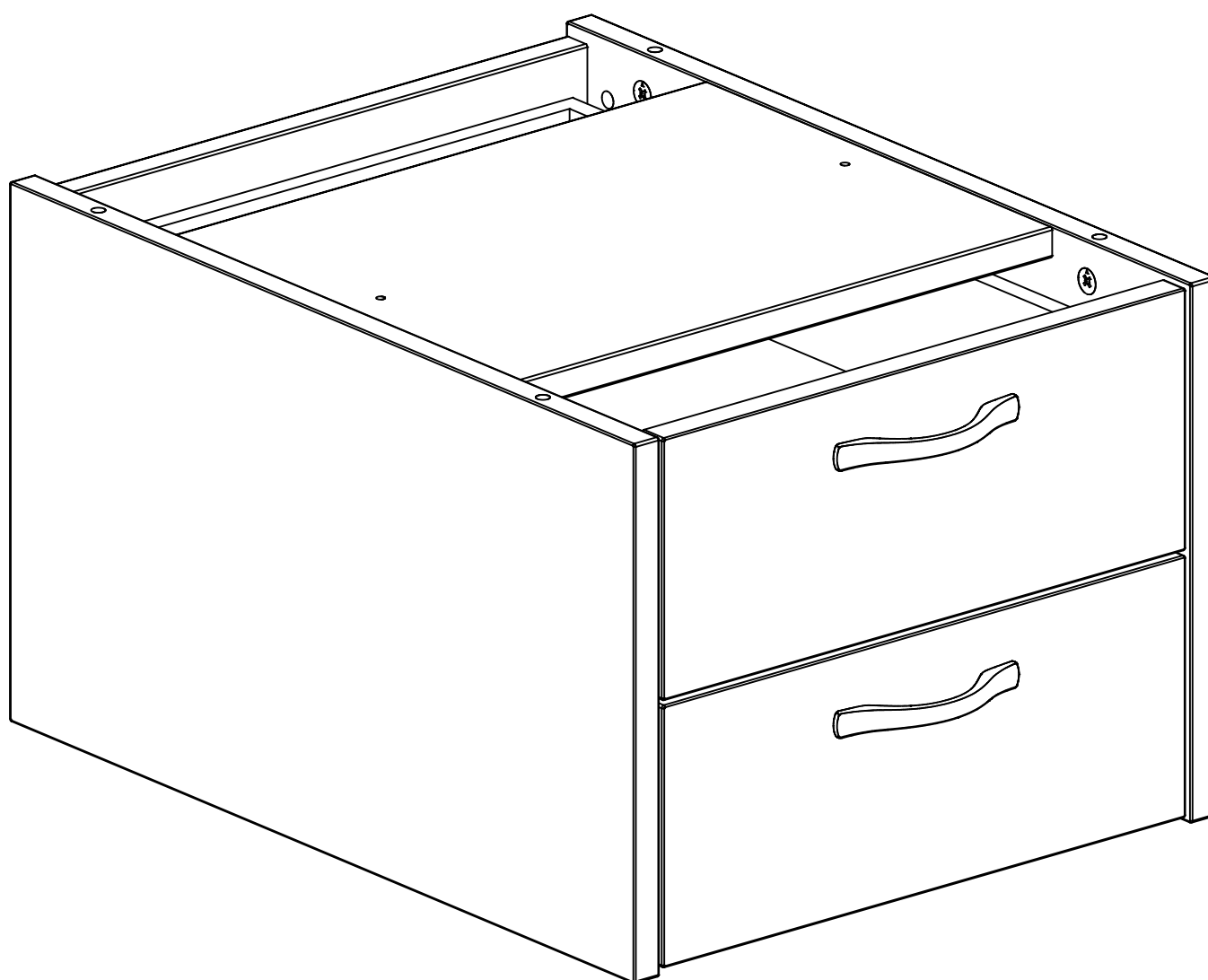
x2

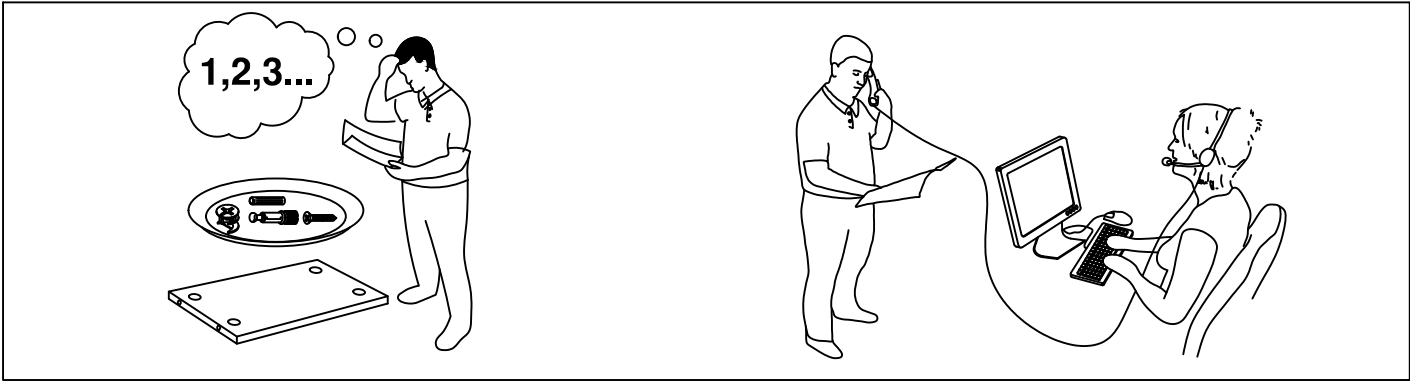
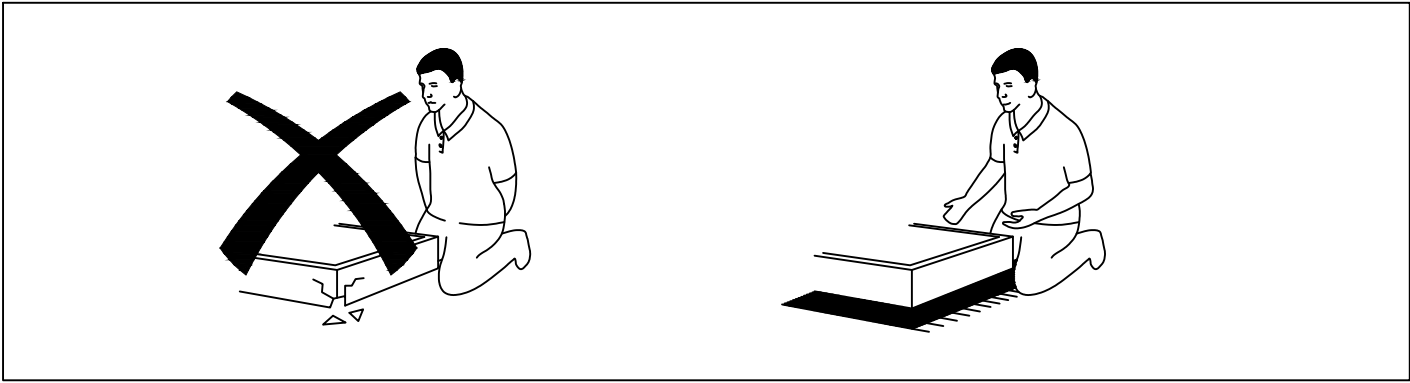
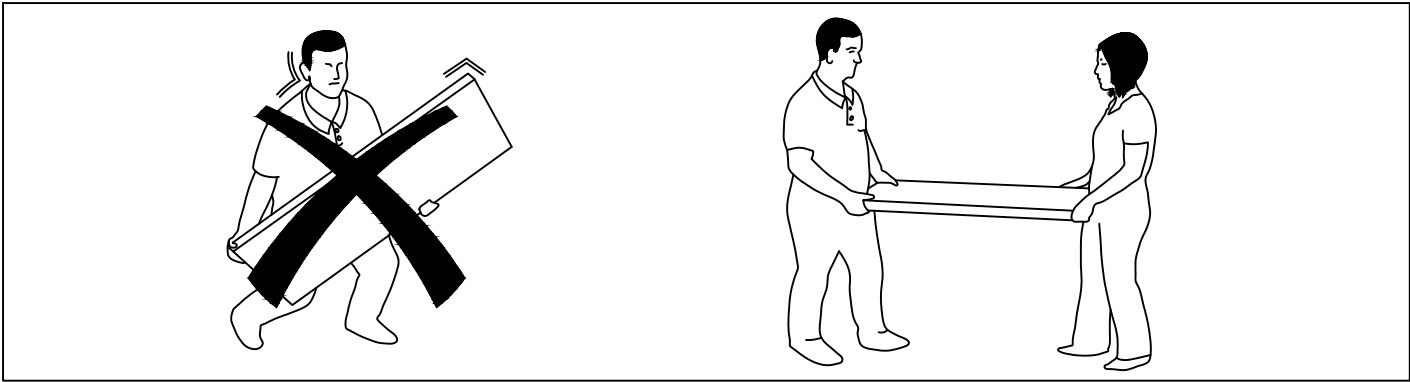
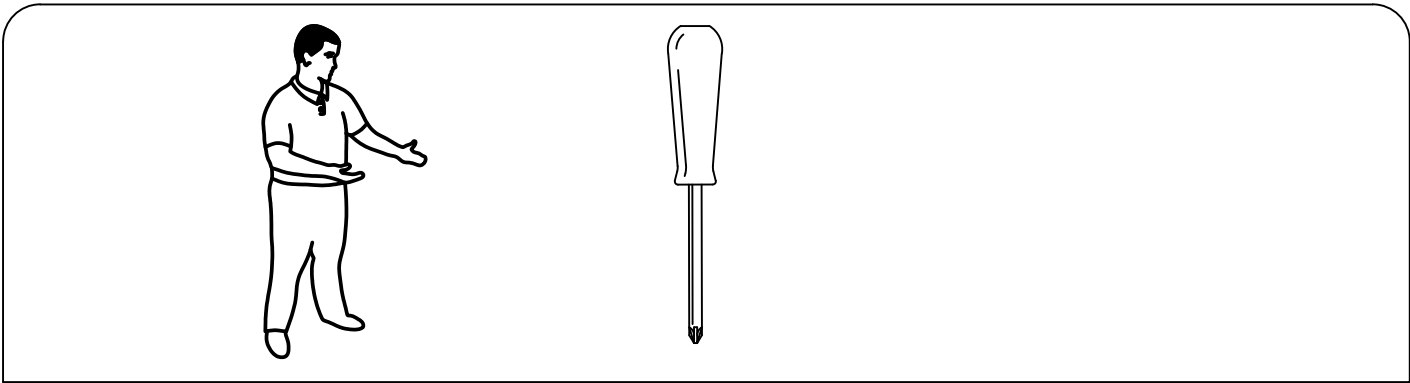




# S2F

## Shallow Desk Pedestal

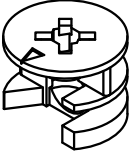




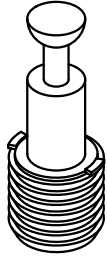


Please check that you have all the fittings

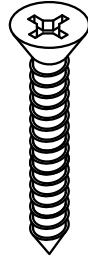
**S2F**



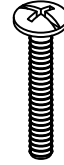
**4** Minifix cam 15N  
CAM03



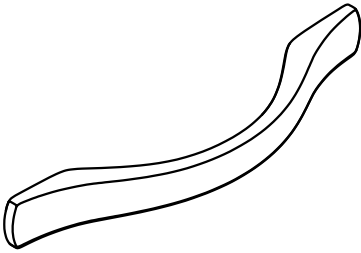
**4** Quickfix spread bolt  
BLT06



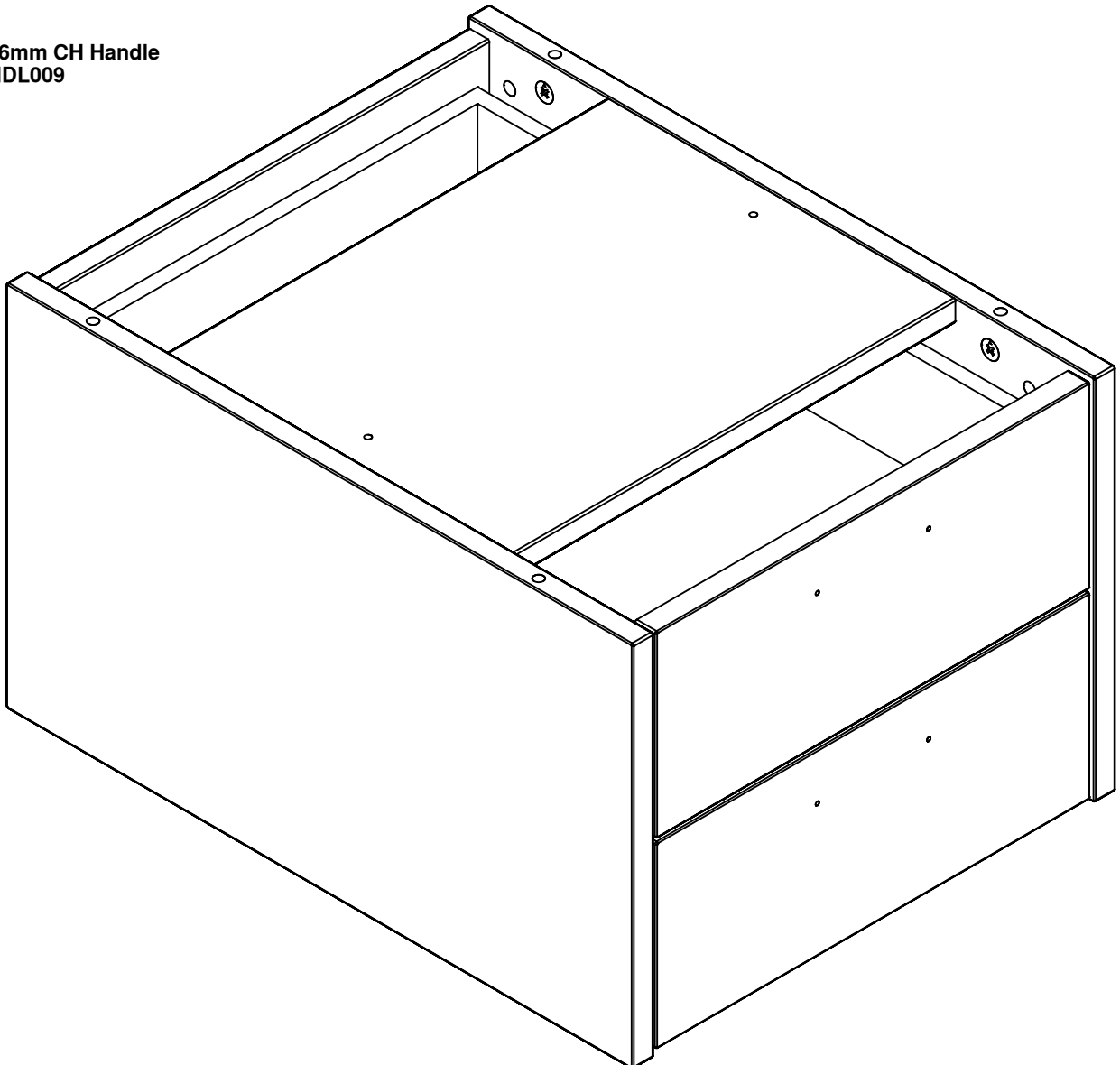
**4** 1 1/4 x 8 screw  
SCR12



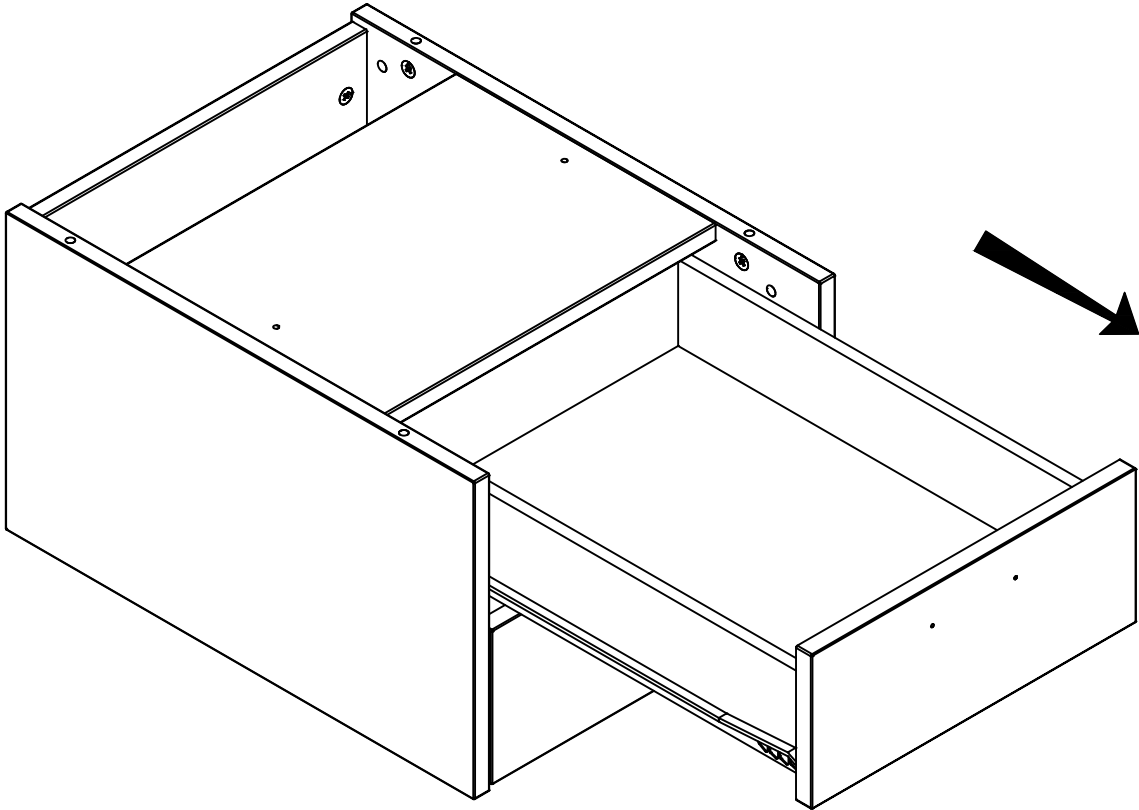
**4** M4x22 COMBI BOLT  
SCR25



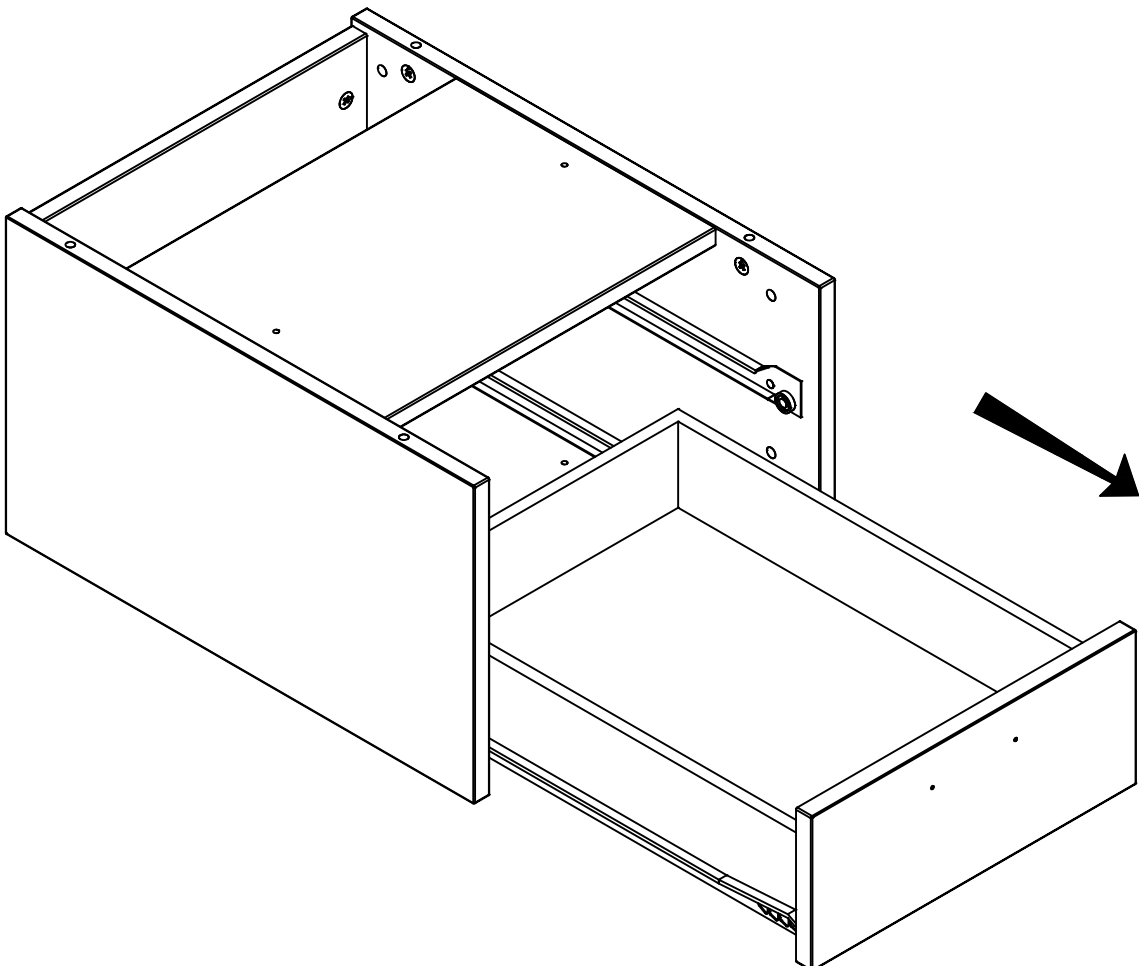
**4** 96mm CH Handle  
HDL009

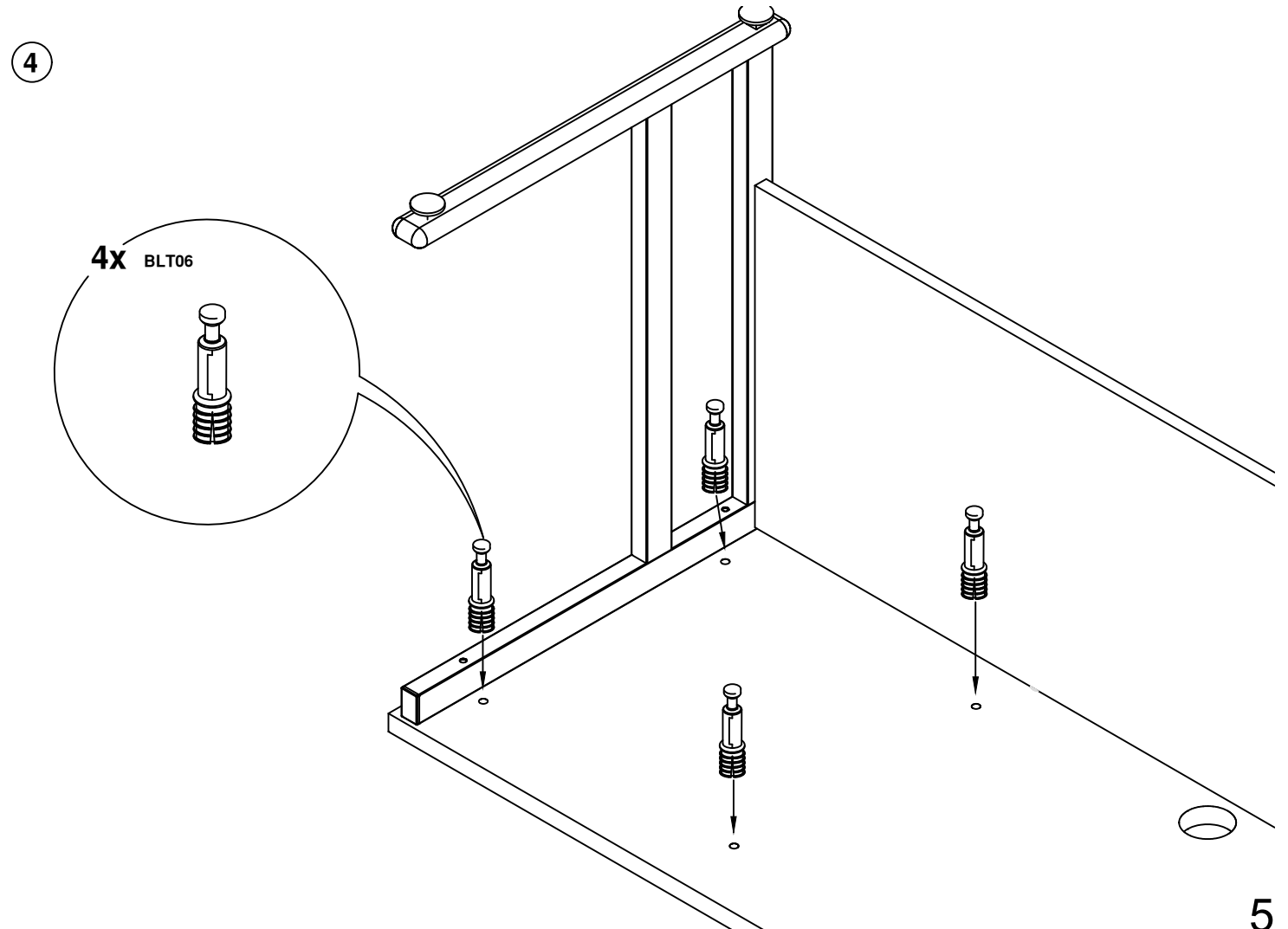
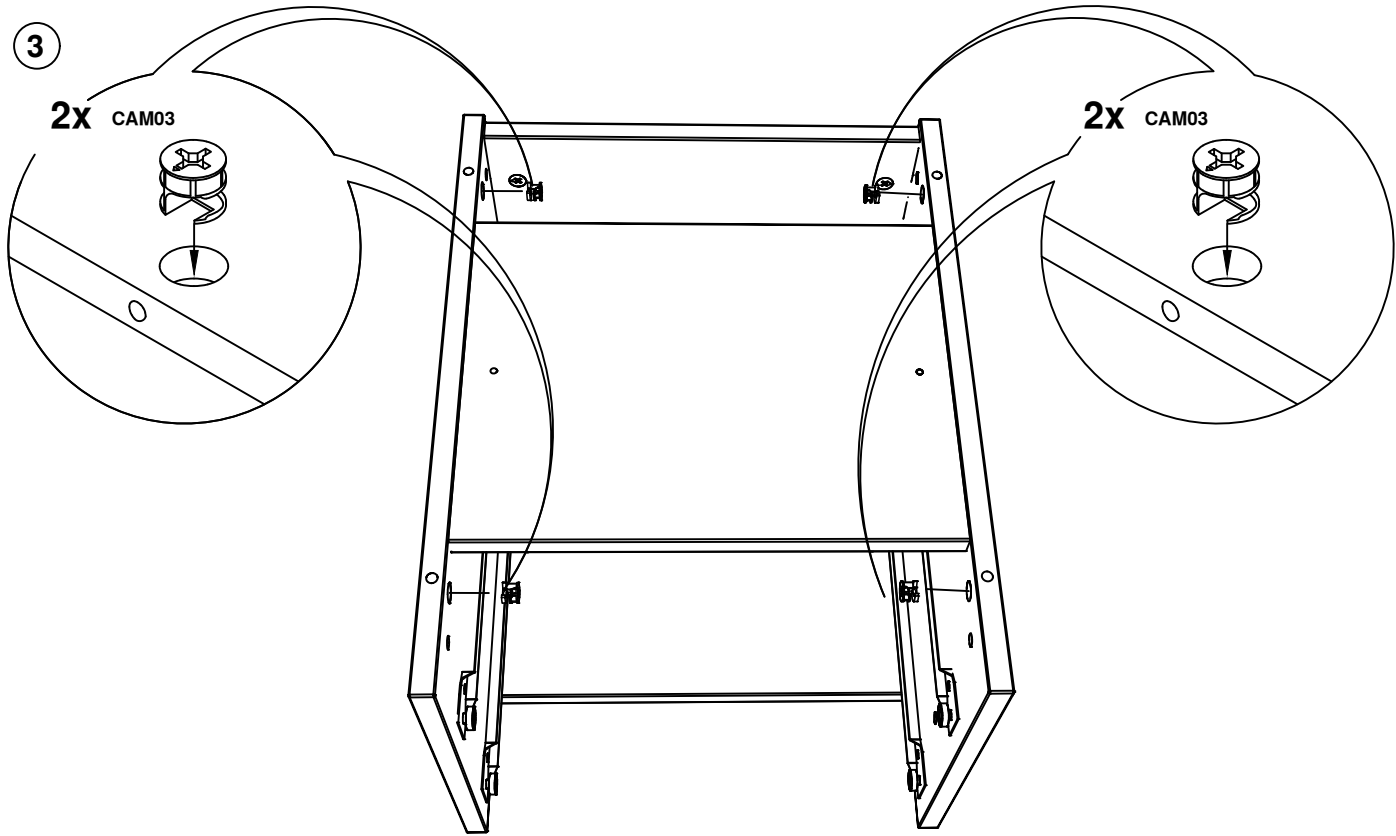


1

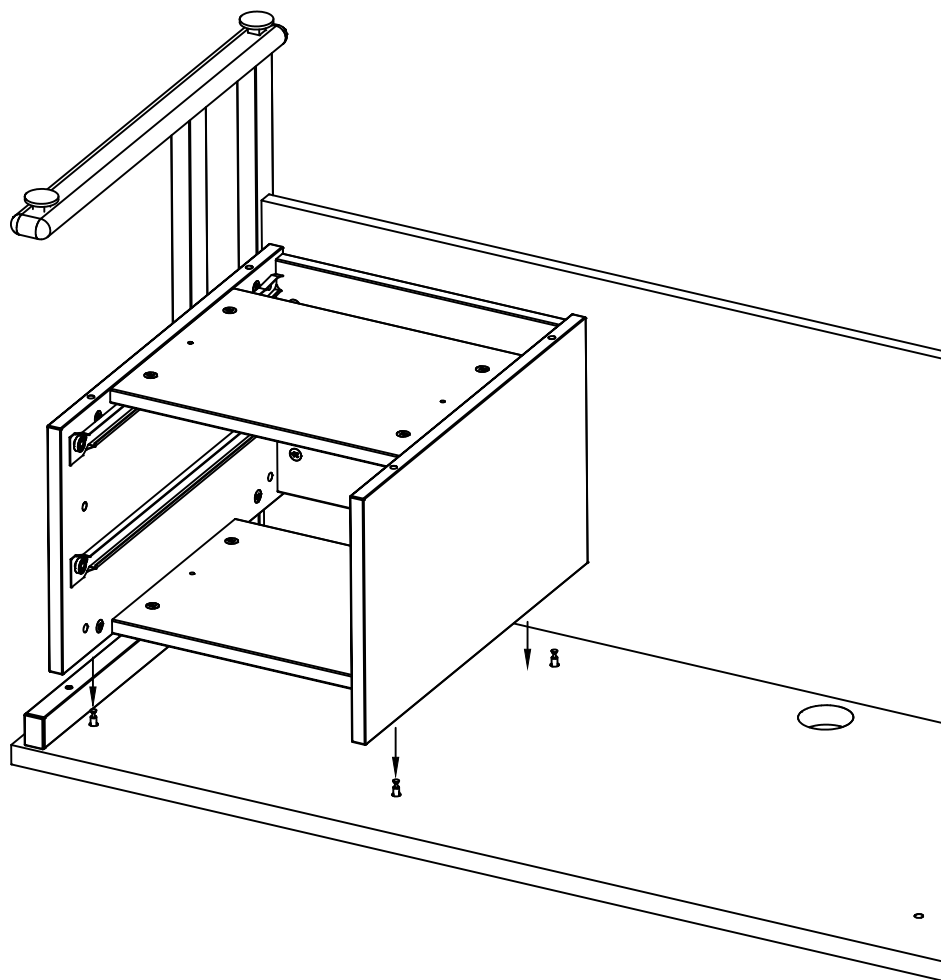
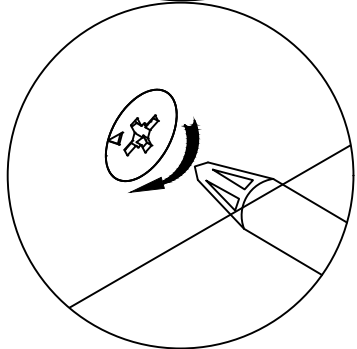
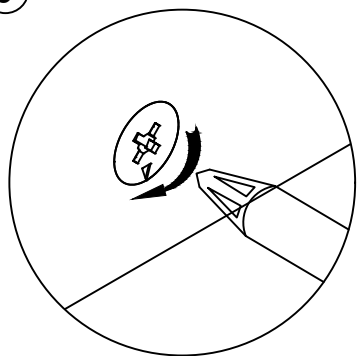


2

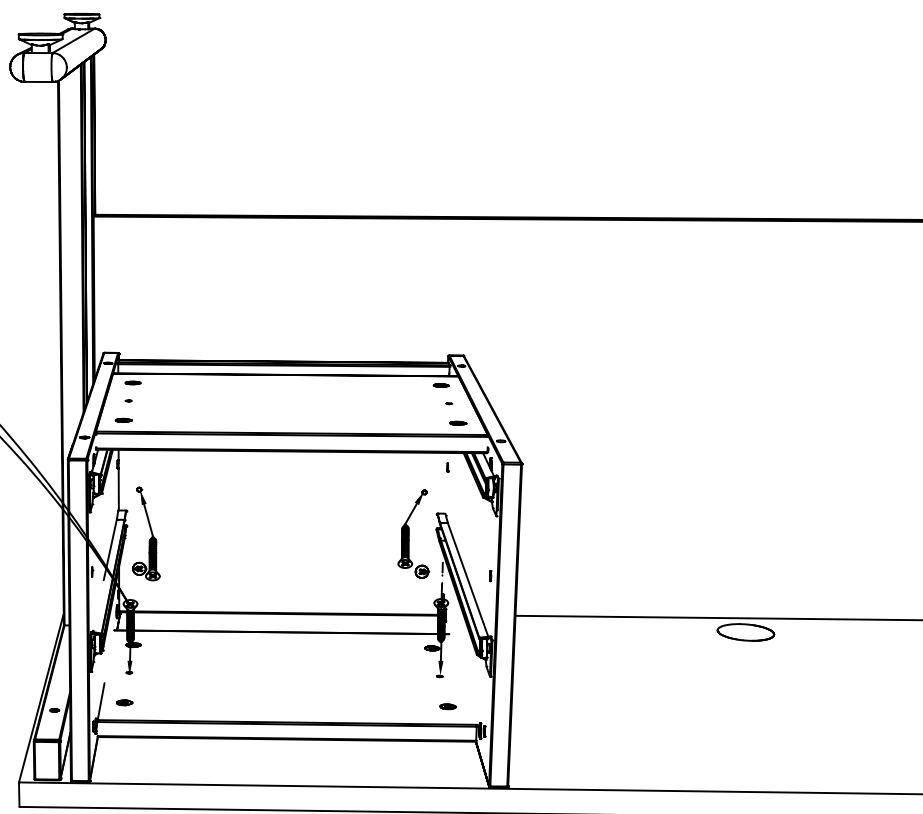




5

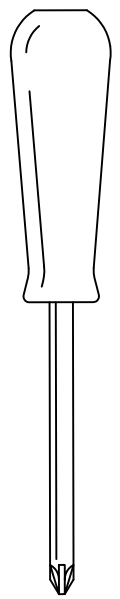
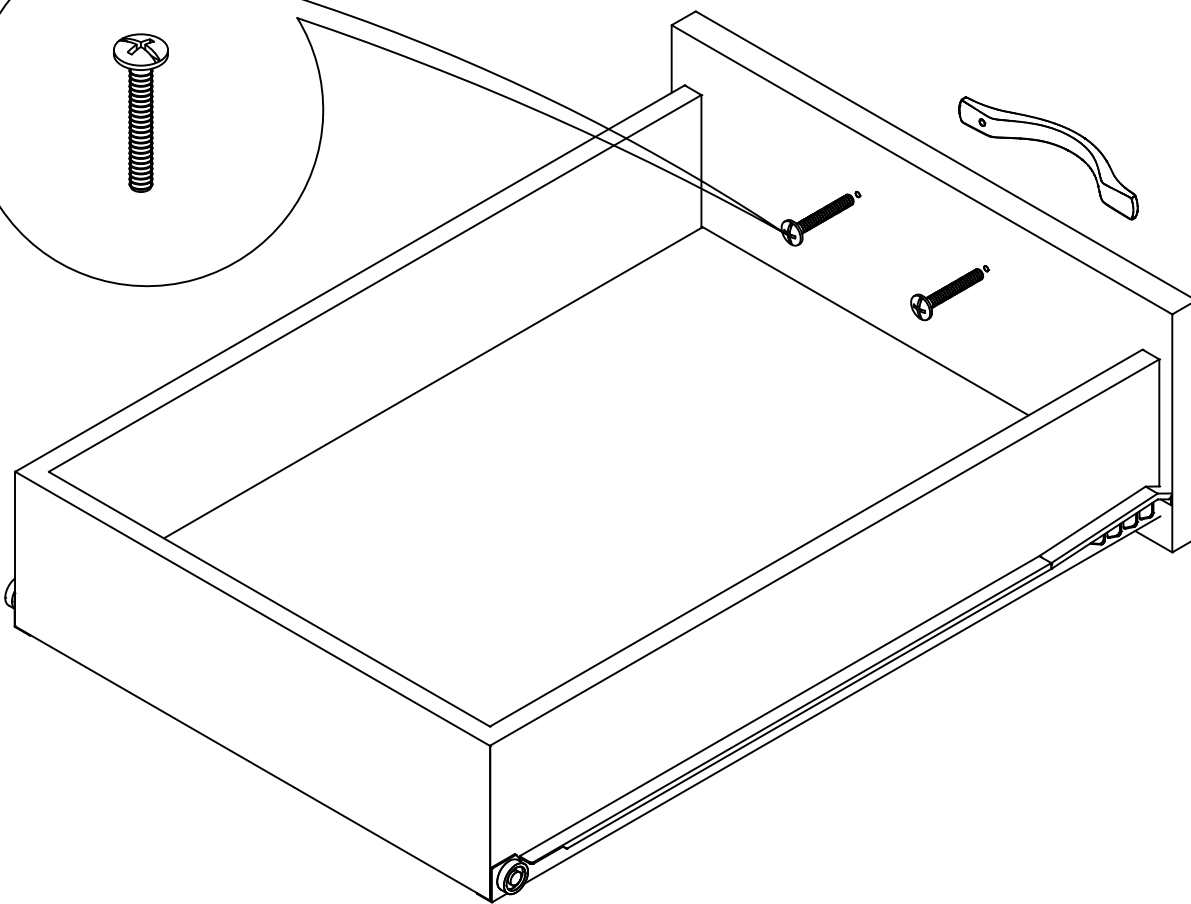
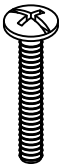


6

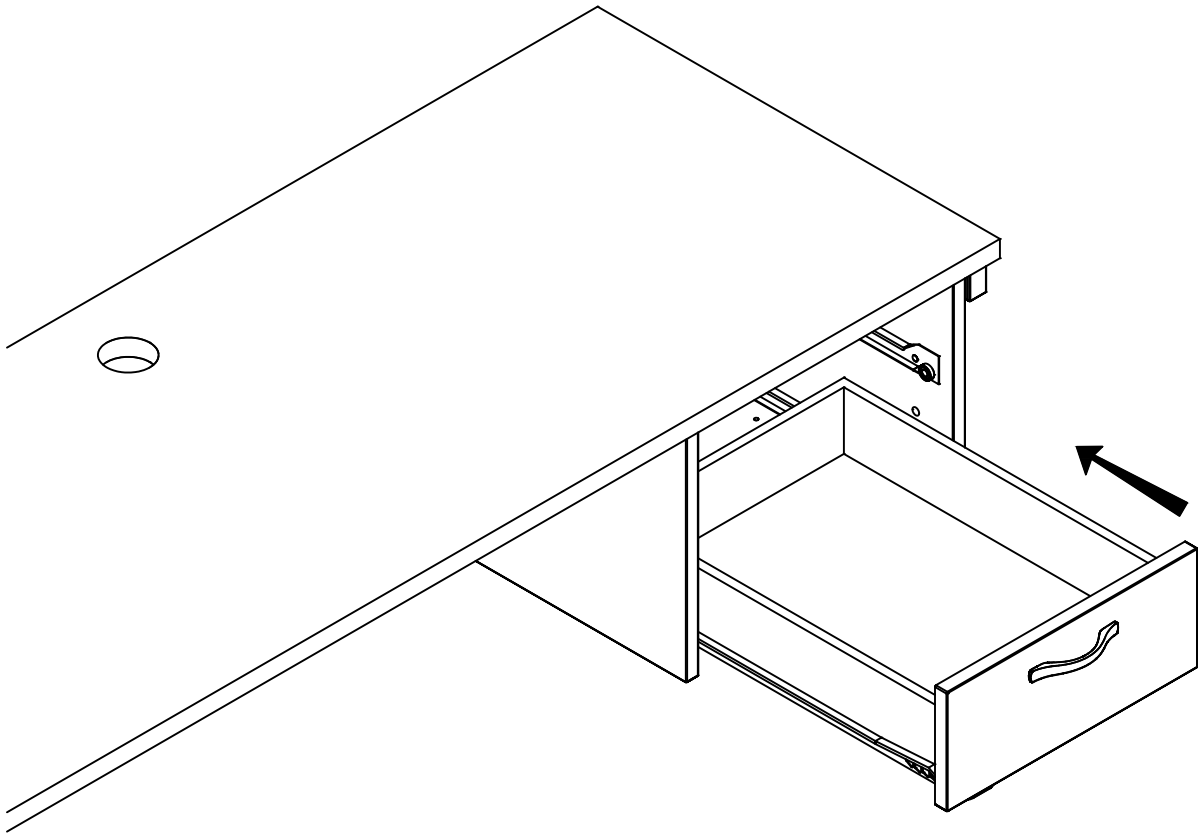


7

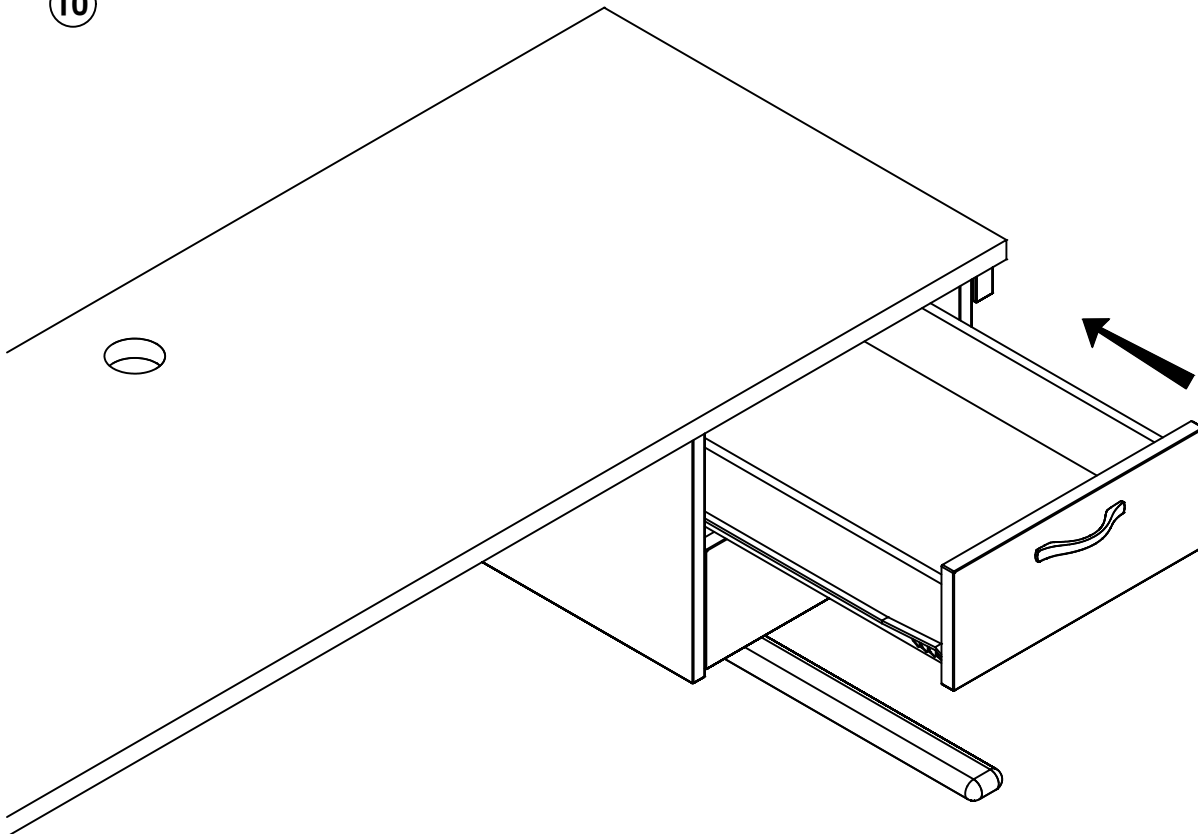
**2x** M4x22 COMBI BOLT  
SCR25



9



10



8