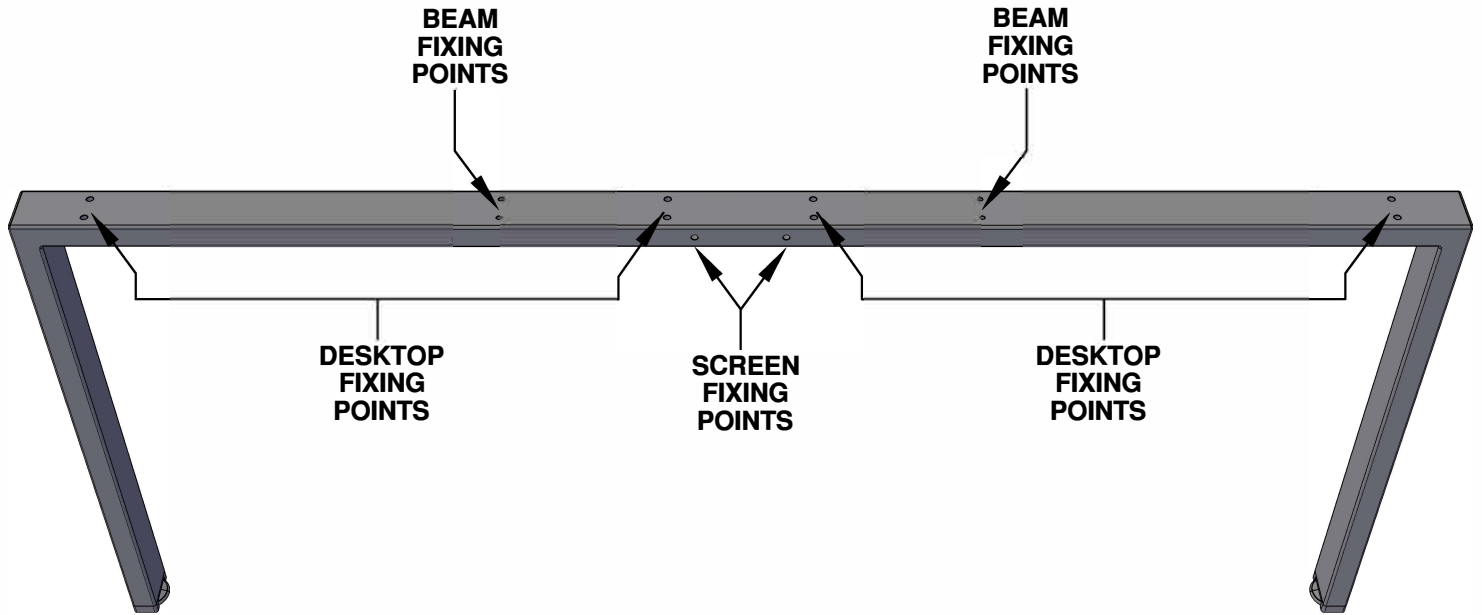


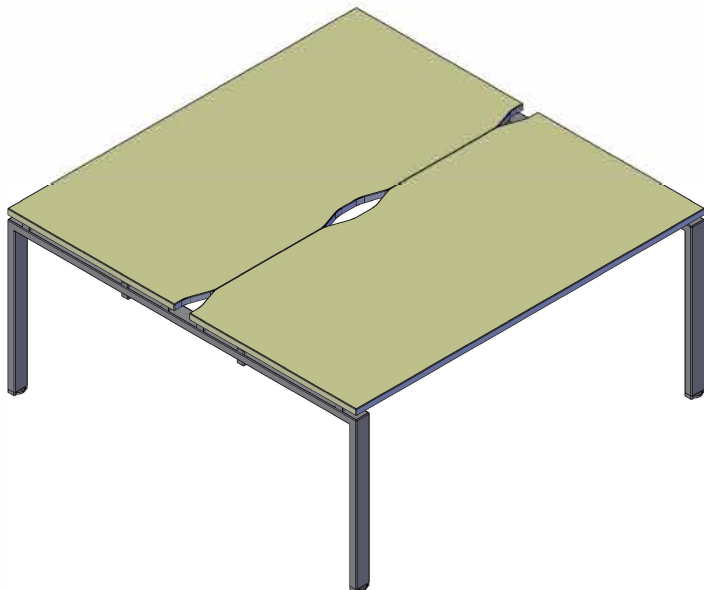
ED1600OL / ED1200OL

Adapt II Outer Leg

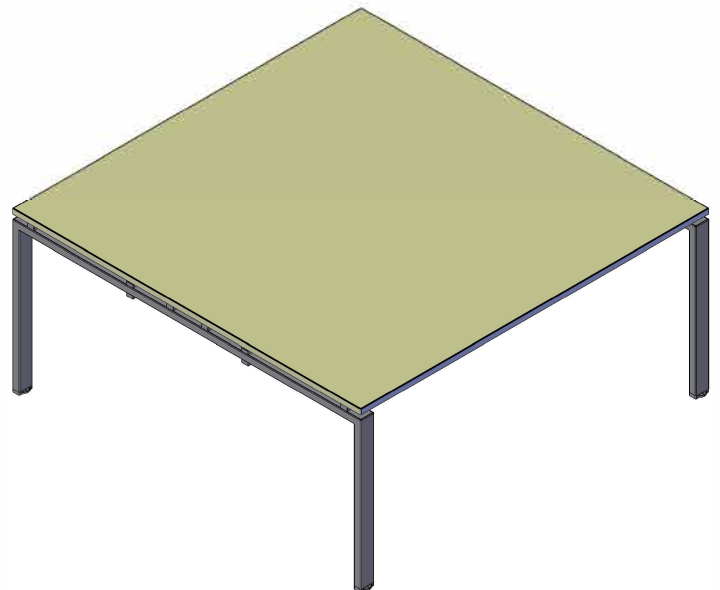


ED1600OL - 1600mm Leg Shown

Used to build

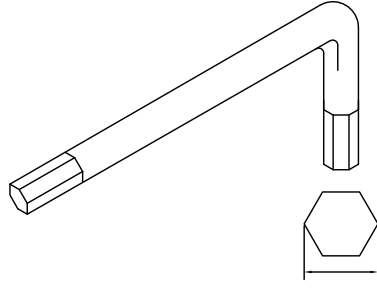
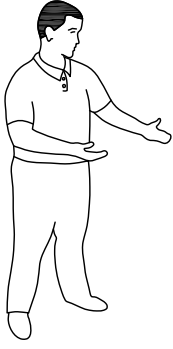


Adapt II Back to Back Desk



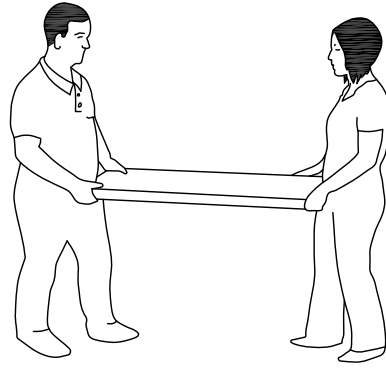
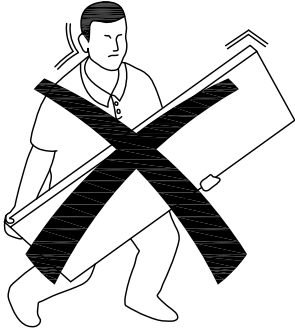
Adapt II Boardroom Table

**TOOLS REQUIRED
FOR ASSEMBLY**

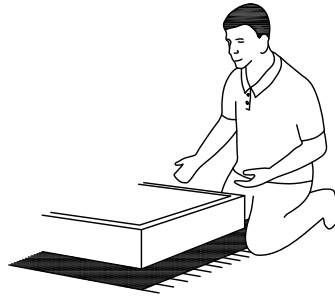
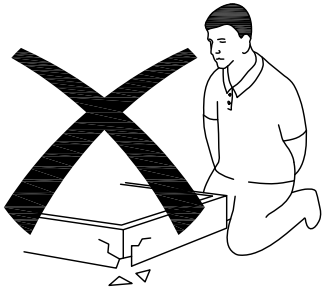


4mm

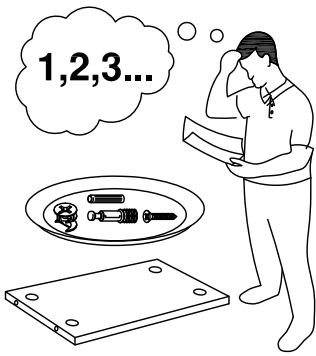
**DONT STRUGGLE
2 MAN LIFT**



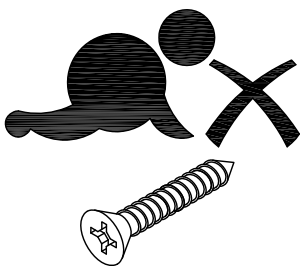
**ALWAYS HANDLE
ITEMS WITH CARE**



**IF UNSURE CALL
FOR ASSISTANCE**

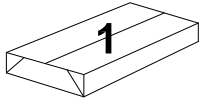


**KEEP FITTINGS AWAY
FROM CHILDREN**





Please check that you have all the components



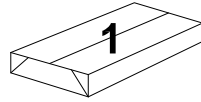
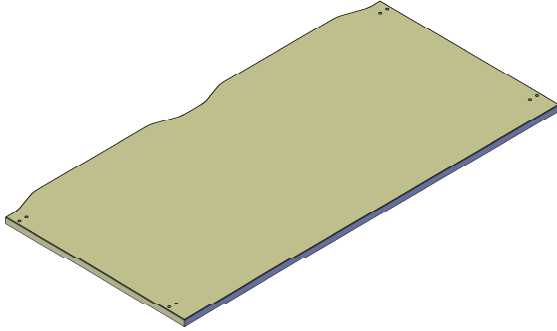
1 2 x DESK TOP

800mm Deep Tops

1200mm = ED128T
1400mm = ED148T
1600mm = ED168T

600mm Deep Tops

1200mm = ED126T
1400mm = ED146T
1600mm = ED166T



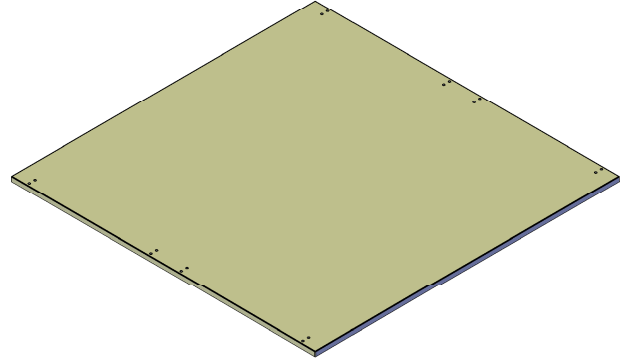
1 1 x TABLE TOP

1600mm Deep Tops

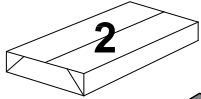
1200mm = EDBT1216T
1600mm = EDBT1616T

1200mm Deep Tops

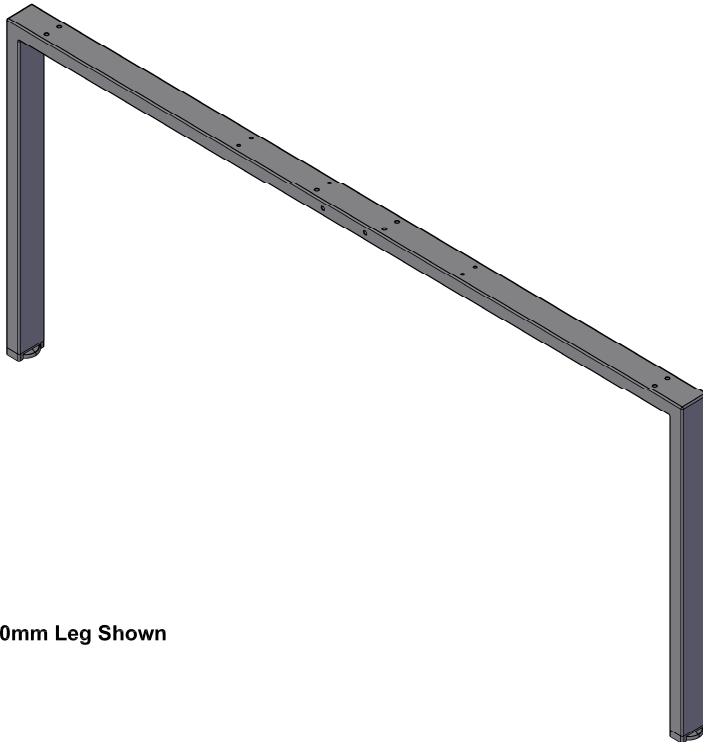
1200mm = EDBT1212T
1600mm = EDBT1612T



or



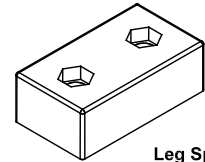
2 2 x OUTER LEG PACK (ED1600OL / ED1200OL)



ED1600OL - 1600mm Leg Shown

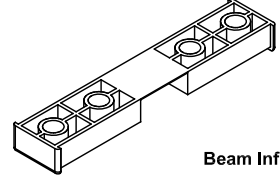
FITTINGS SUPPLIED WITH EACH LEG

4x



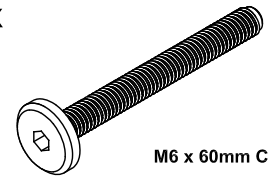
Leg Spacer Block

4x



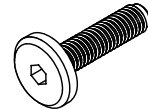
Beam Infill Block

8x

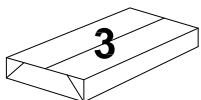


M6 x 60mm Connect Bolt

8x

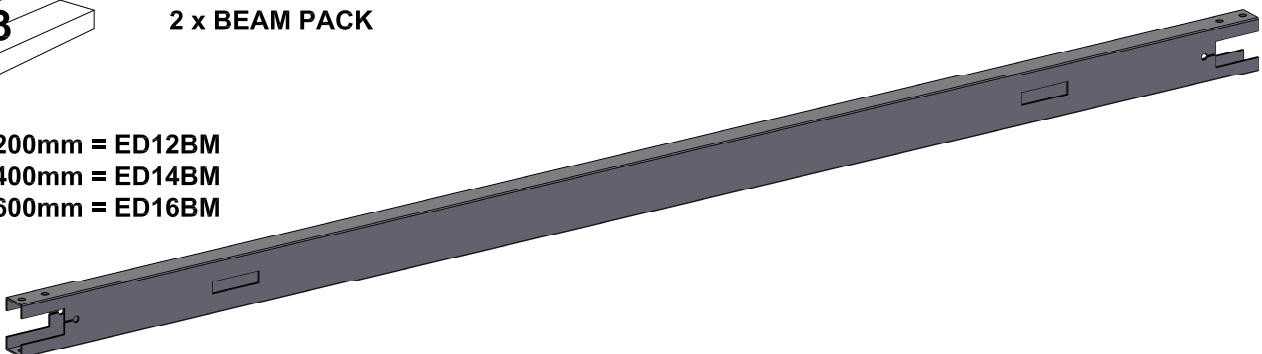


M6 x 25mm Connect Bolt



3 2 x BEAM PACK

1200mm = ED12BM
1400mm = ED14BM
1600mm = ED16BM

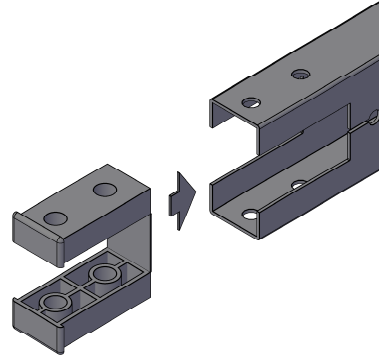
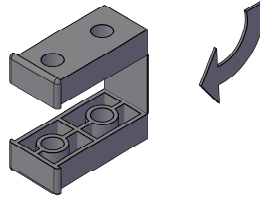
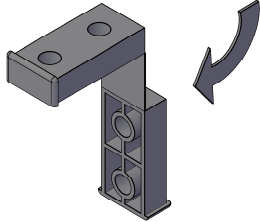
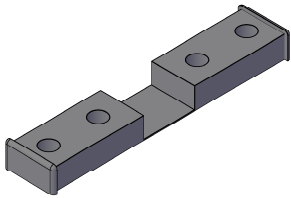


Back to Back Desk Assembly

1

Step 1

Insert the beam infill blocks into both ends of the beam.

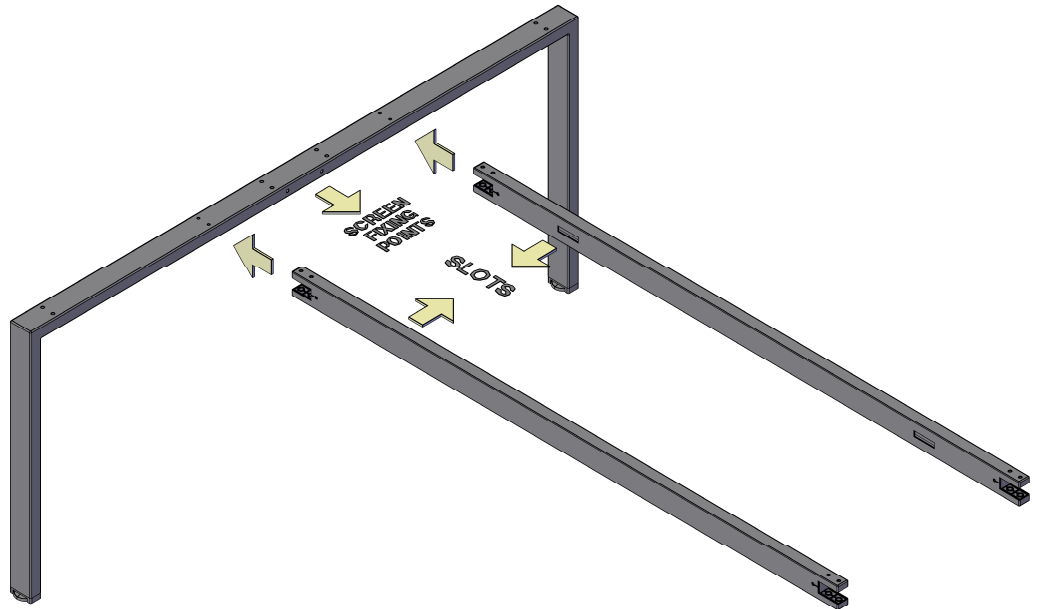


2

Step 2

Push the beams onto the 1st leg frame lining up the beam holes with the M6 threaded holes on the leg.

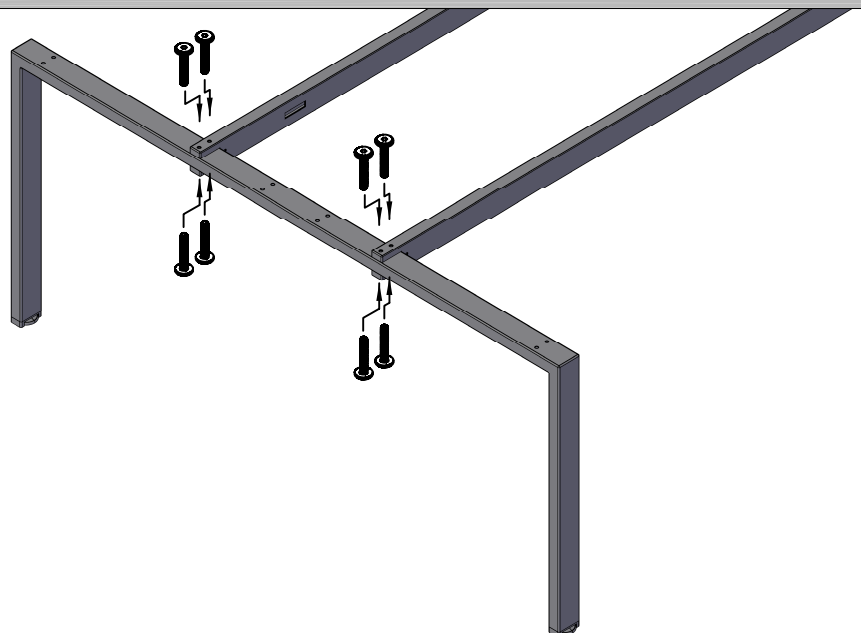
Ensure the screen fixing points on the outer leg and cut out slots on the beams are facing inwards.



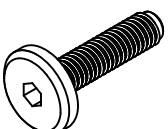
3

Step 3

Once the holes are aligned fix the beam in place using the M6 x 25mm Connect Bolts.



8x



M6 x 25mm Connect Bolt

4

Step 4

Push the beams onto the remaining leg frame lining up the beam holes with the M6 threaded holes on the leg.



Please Note

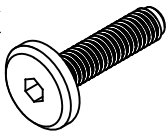
If you have purchased a larger configuration of desk than the one shown please refer to the ED1600IL/ED1200IL instruction before proceeding with step 4

5

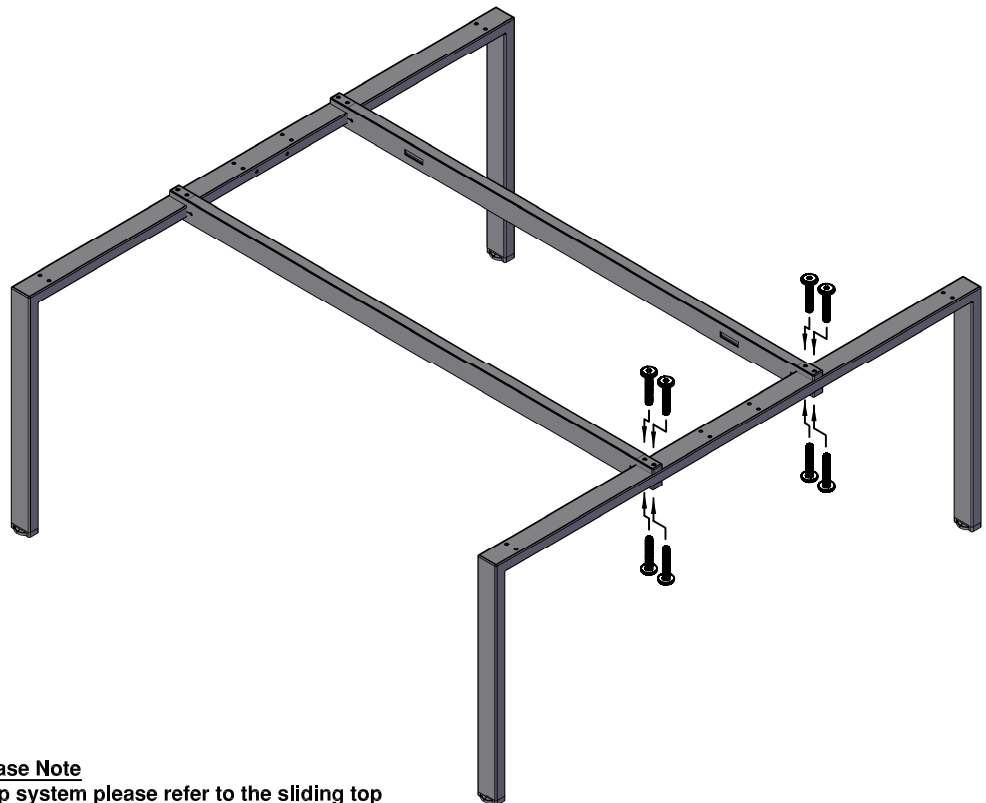
Step 5

Once the holes are aligned fix the beam in place using the M6 x 25mm Connect Bolts.

8x



M6 x 25mm Connect Bolt

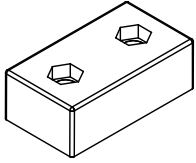


Please Note

If you have purchased a sliding top system please refer to the sliding top bracket assembly Instruction from this point onwards.

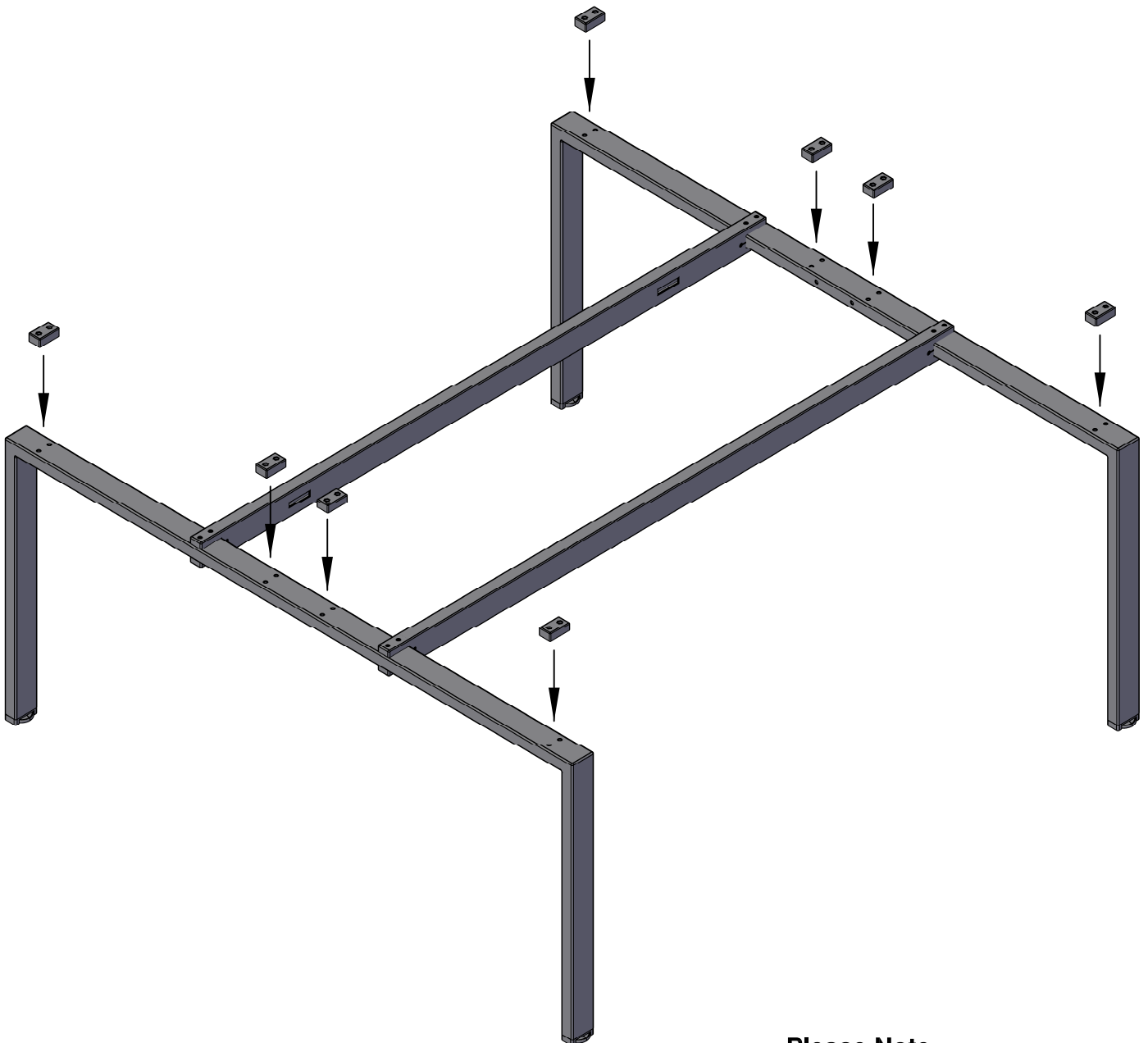
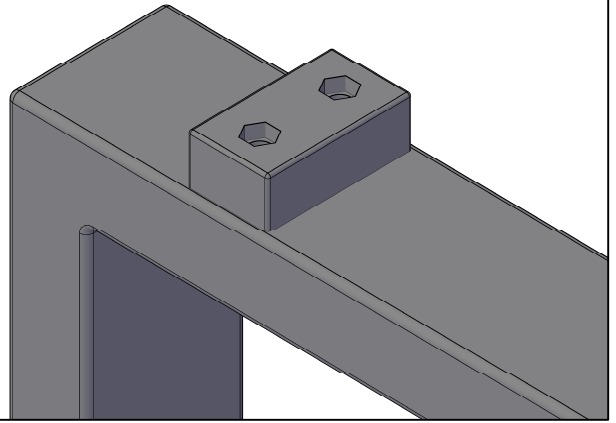
Step 6

Position the Spacer Blocks over the holes in the leg frames.

8x

Leg Spacer Block

Ensure that the spacer blocks are placed onto the frame with the recessed nut holes facing upwards.

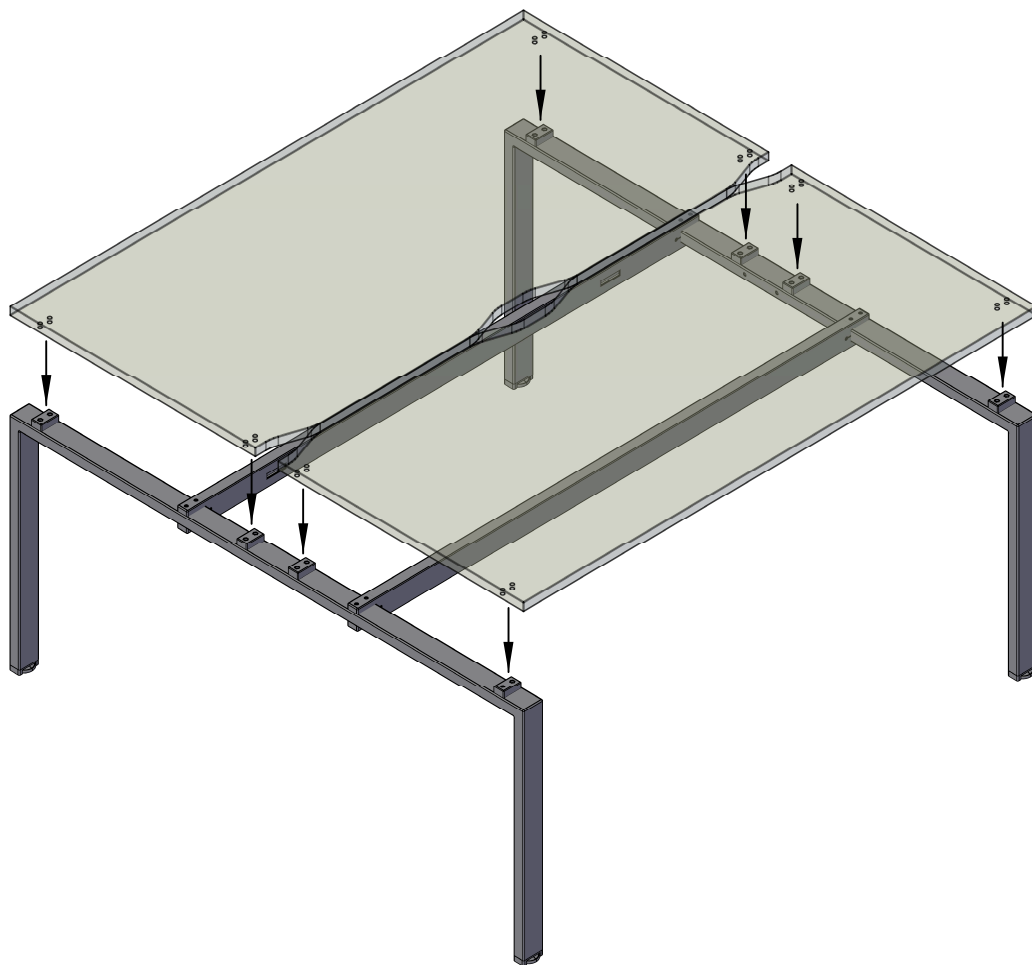
**Please Note**

For ease of assembly Screen Brackets and Horizontal Cable Trays should be fitted before you proceed to Step 7.

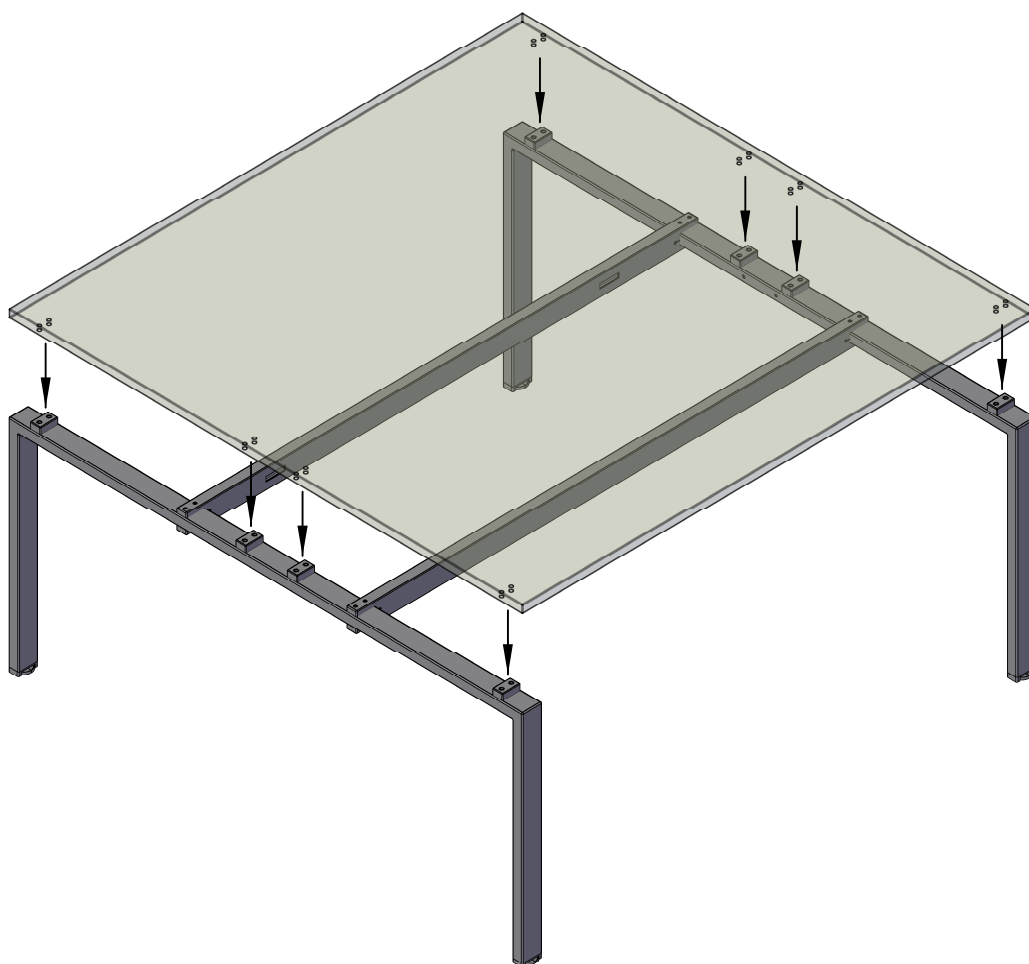
Step 7

Place the desktop onto the assembled framework ensuring that the edges of the desktop finish parallel with the end of the leg frames.

The framework may be slightly out of square, if this happens loosen the fixing bolts in the beams and align correctly before re tightening the bolts.



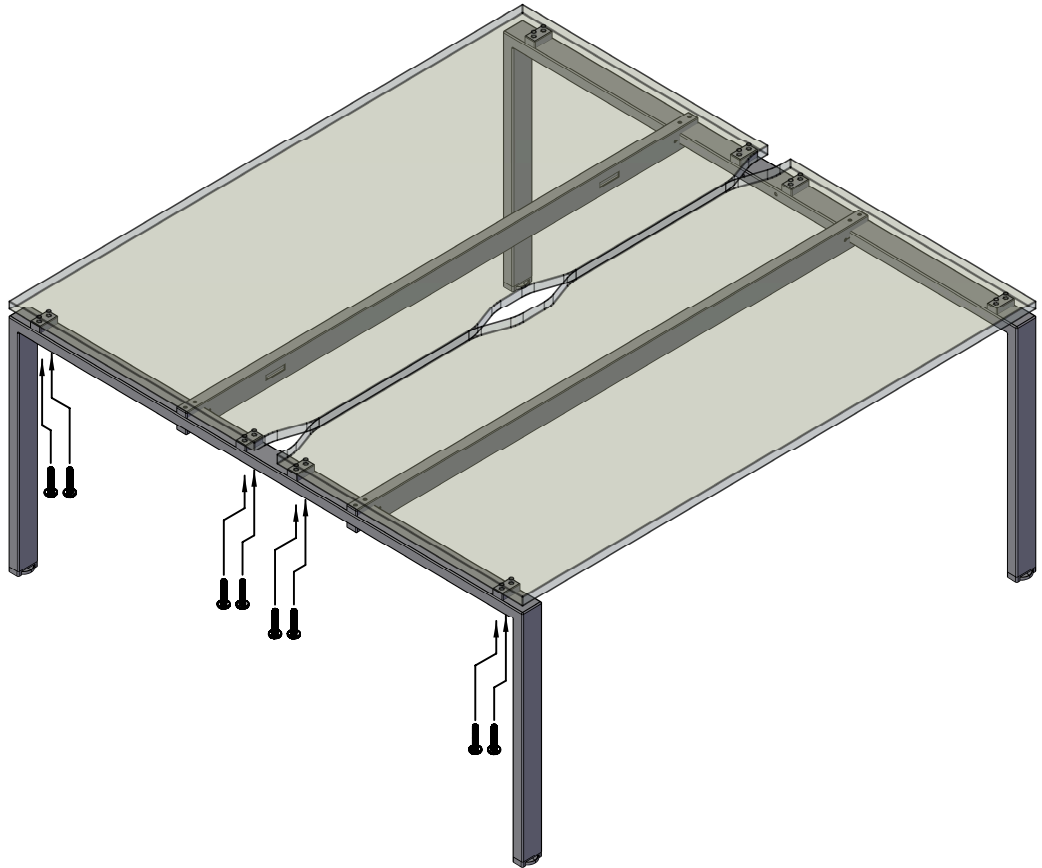
or



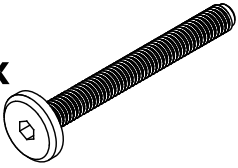
Step 8

Attach one side of the desktops to the frame using the M6 x 60mm Connect Bolts.

Ensure that the bolt passes through both the leg frame and Spacer Block.



8x

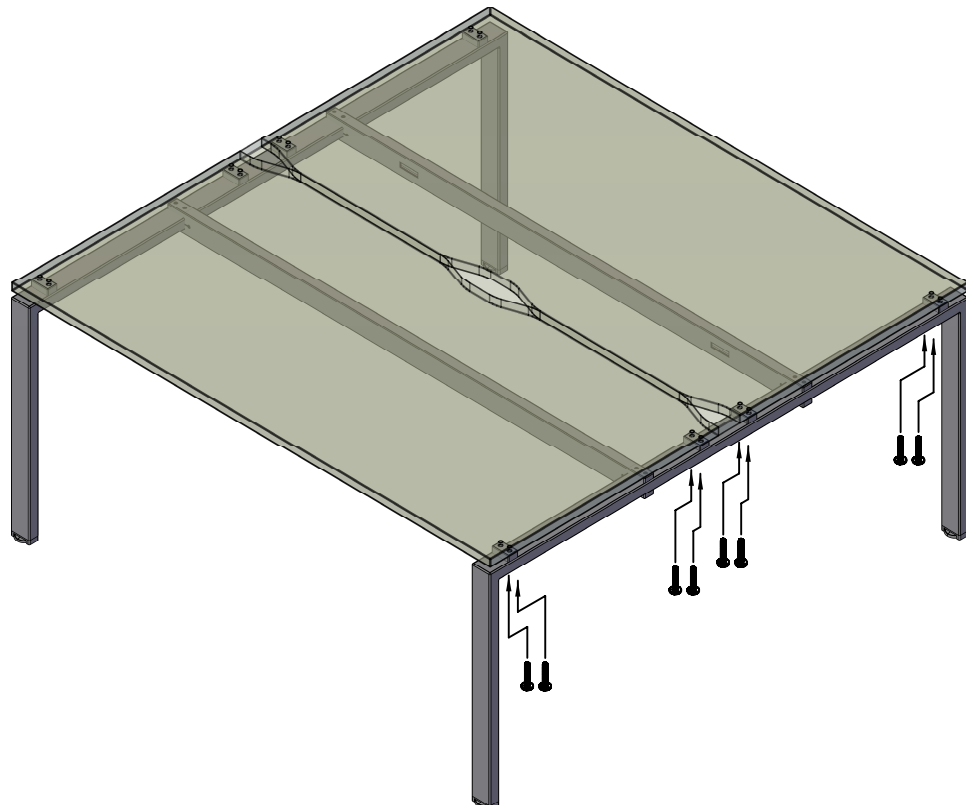


M6 x 60mm Connect Bolt

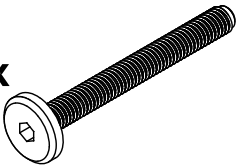
Step 9

Attach the remaining side of the desktops to the frame using the M6 x 60mm Connect Bolts.

Ensure that the bolt passes through both the leg frame and Spacer Block.



8x



M6 x 60mm Connect Bolt