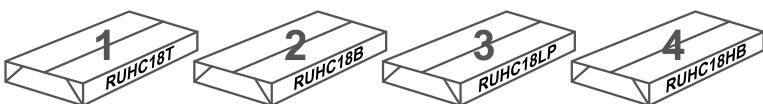
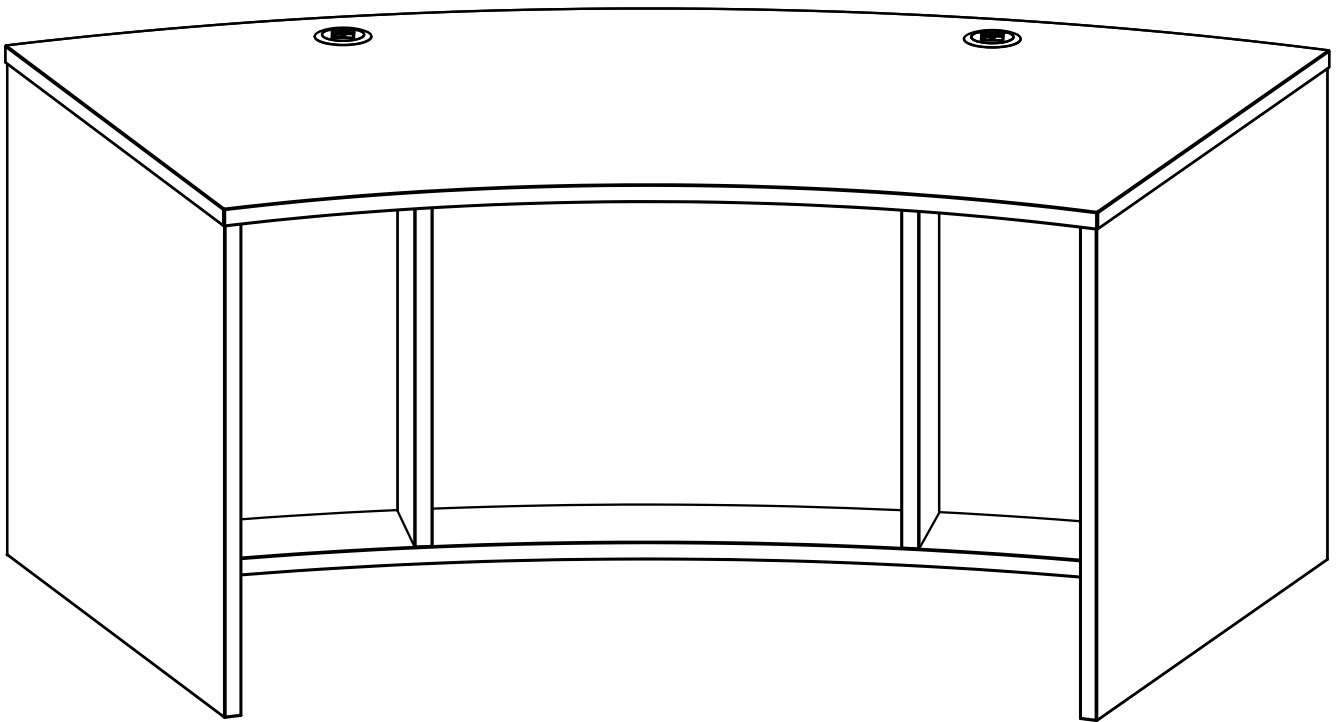
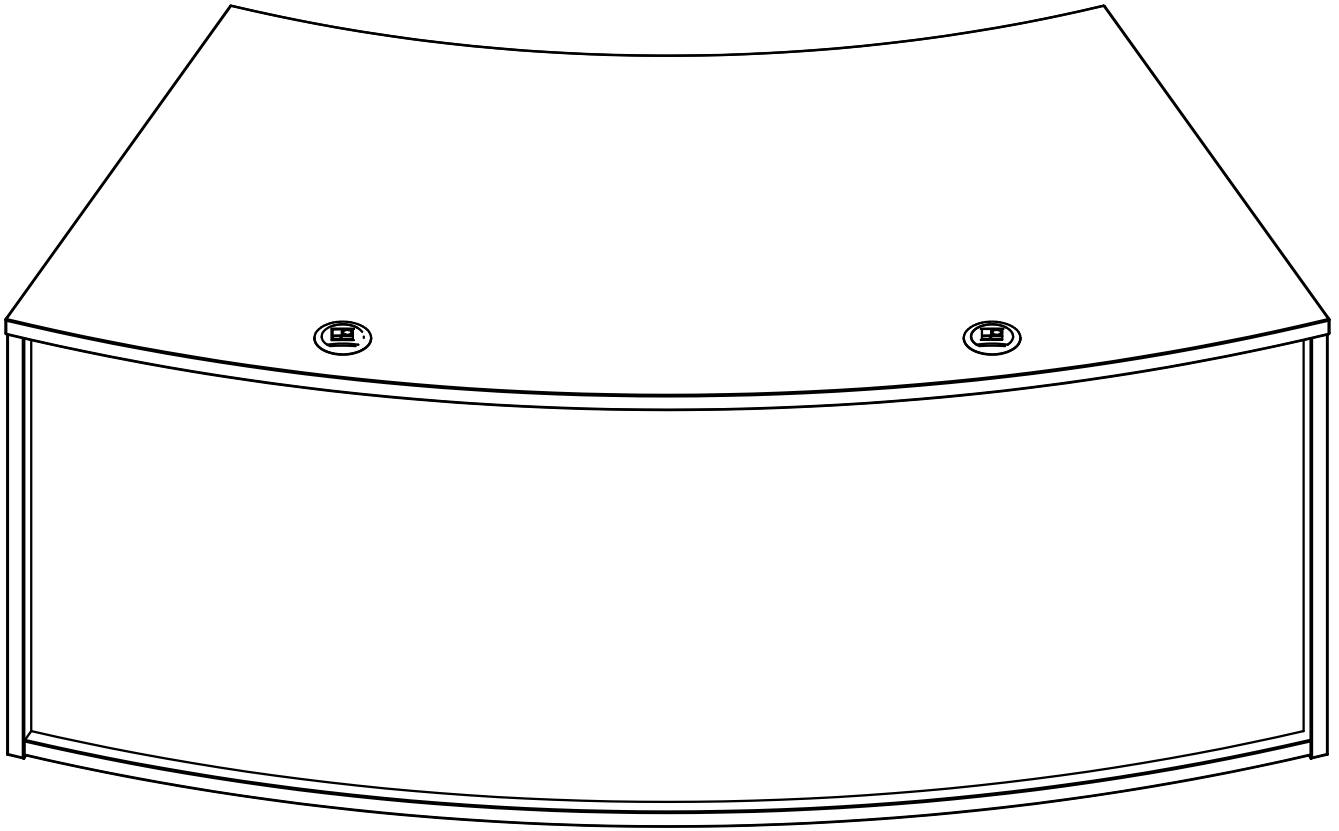
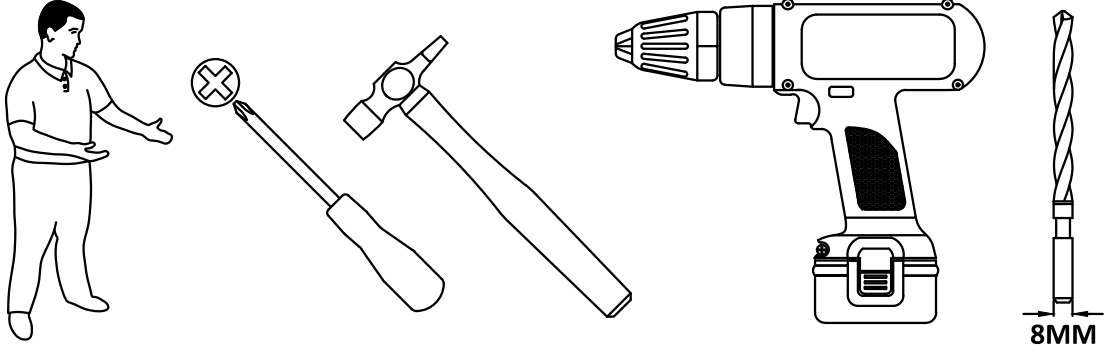


# RUHC18D

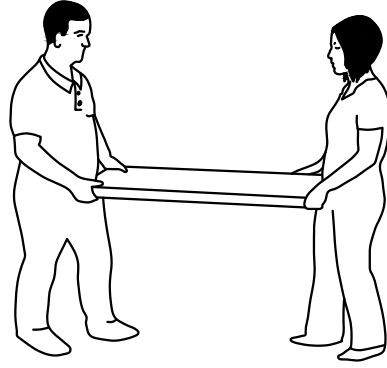
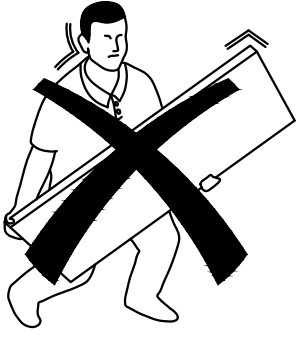
45' Curved Base Unit



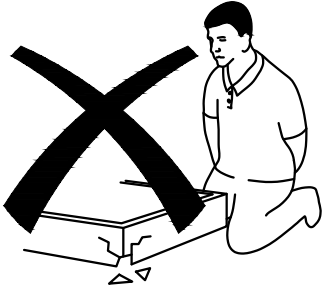
**TOOLS REQUIRED  
FOR ASSEMBLY**



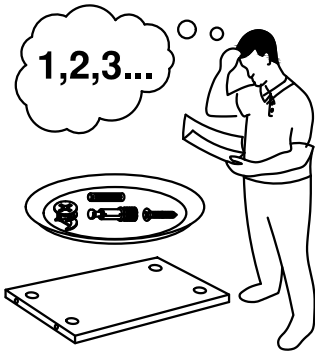
**DONT STRUGGLE  
2 MAN LIFT**



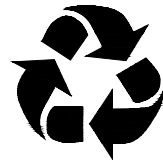
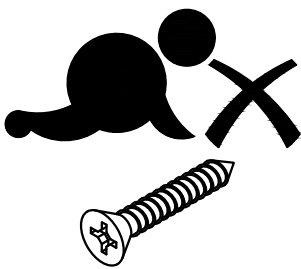
**ALWAYS HANDLE  
ITEMS WITH CARE**



**IF UNSURE CALL  
FOR ASSISTANCE**

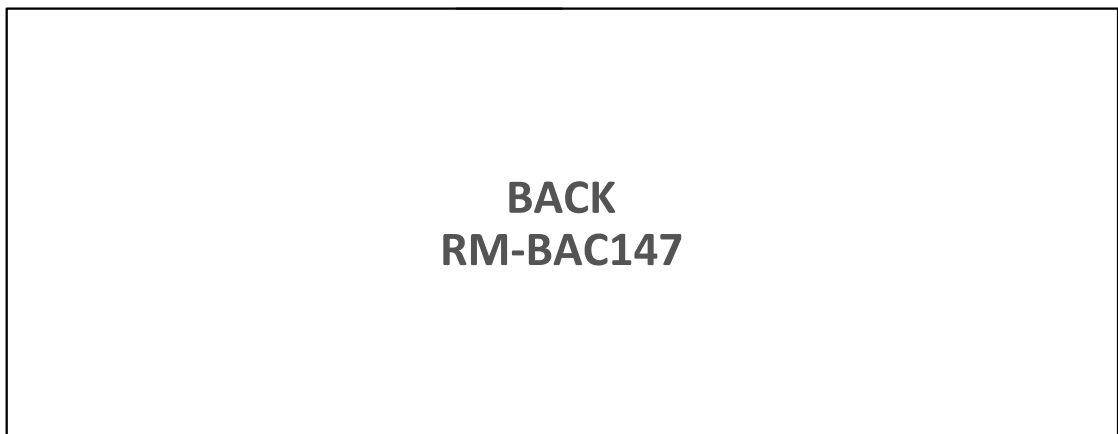
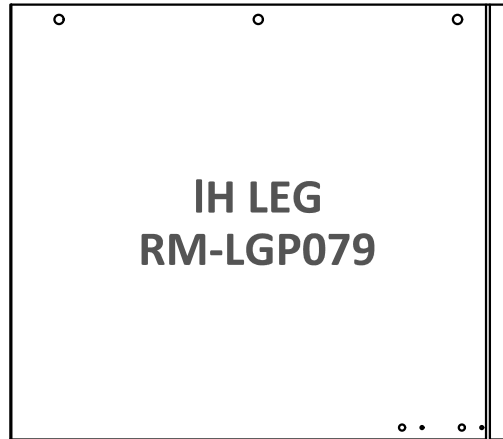
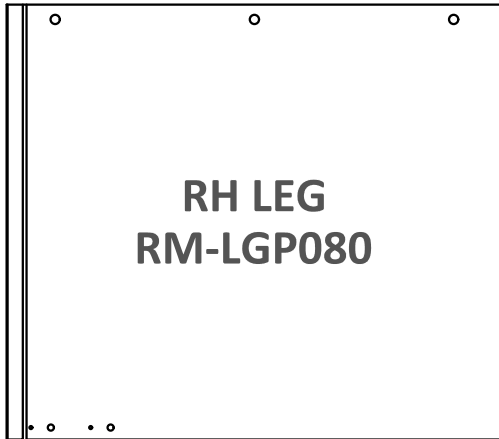
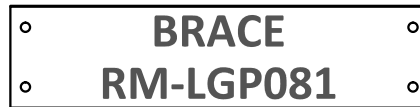
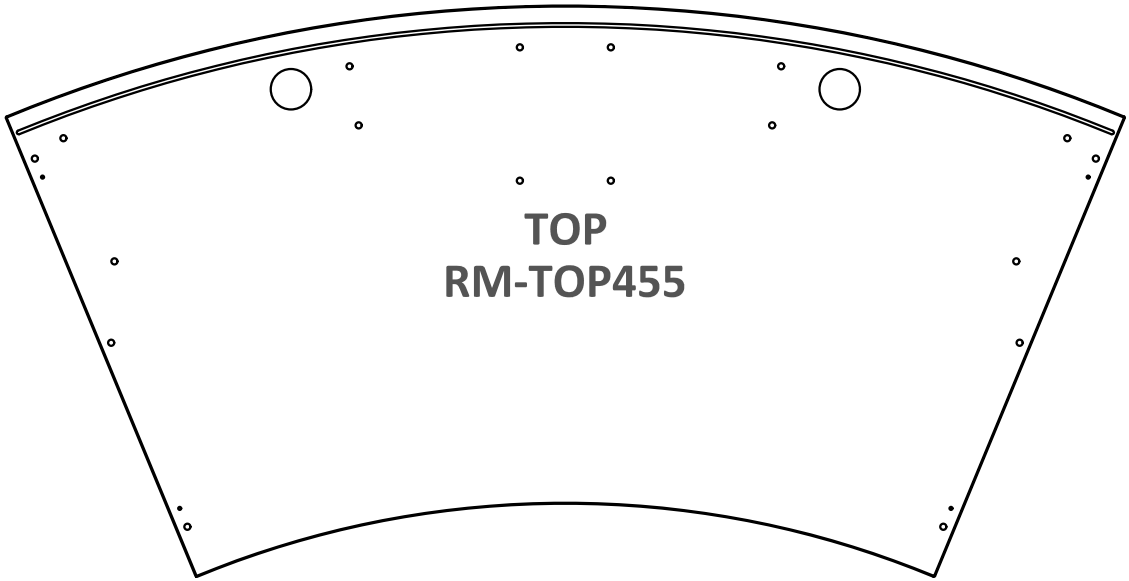


**KEEP FITTINGS AWAY  
FROM CHILDREN**





Please check that you have all the panels!






Please check that you have all the fittings!

**Fitting Bag**  
**RM-FIT258**  
Supplied with LEG PACK


Minifix Cam  
RM-CAM03

**x18**



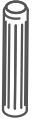
24mm Quick Fix Dowel  
RM-BLT06

**x18**



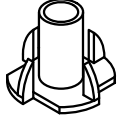
Wood dowel 30 x 5mm  
RM-WOW01

**x8**



M8 x 17.5mm T-nut  
RM-NUT02

**x1**



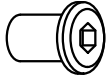
M8 Gesipa Insert  
RM-NUT04

**x4**



M6 x 8 x 9 Sleeve Nut  
RM-NUT10

**x4**




25mm Adjustable Foot  
RM-FRL19

**x5**

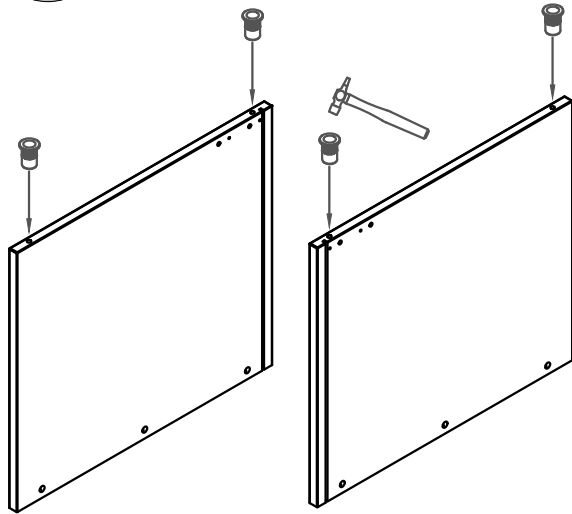


M6 x 50mm Connect bolt  
RM-BLT05

**x4**

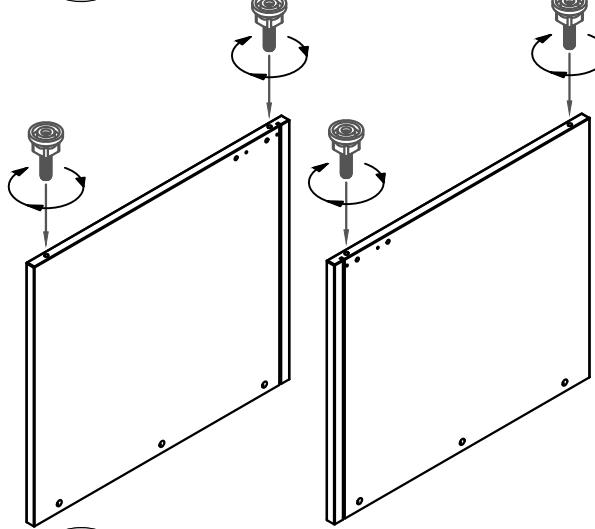


**1** **2**



M8 Gesipa Insert  
RM-NUT04

**x4**

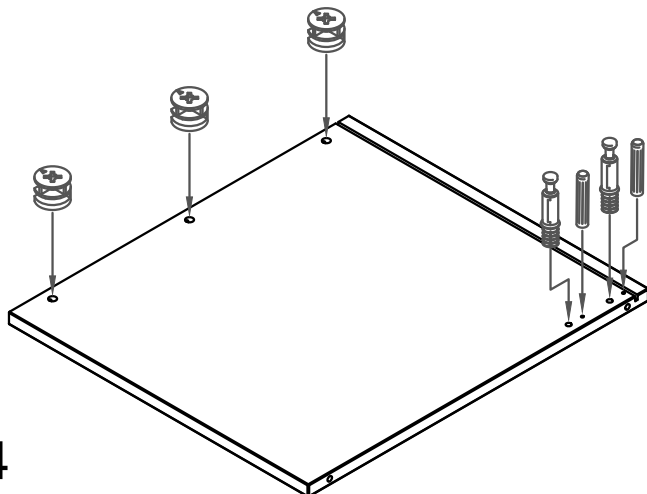



M8 x 25mm Adj Foot  
RM-FRL19

**x4**



**3** **4**



24mm Quickfix Pin  
RM-BLT06

**x2**



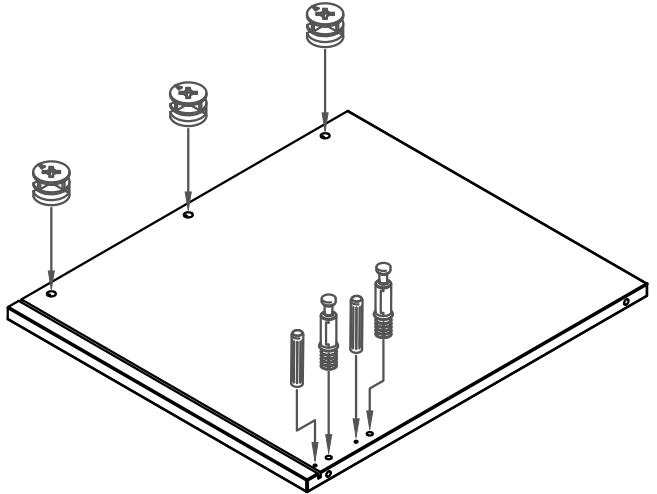
Wood dowel 30 x 5mm  
RM-WOW01

**x2**



Minifix Cam  
RM-CAM03

**x3**

24mm Quickfix Pin  
RM-BLT06

**x2**



Wood dowel 30 x 5mm  
RM-WOW01

**x2**



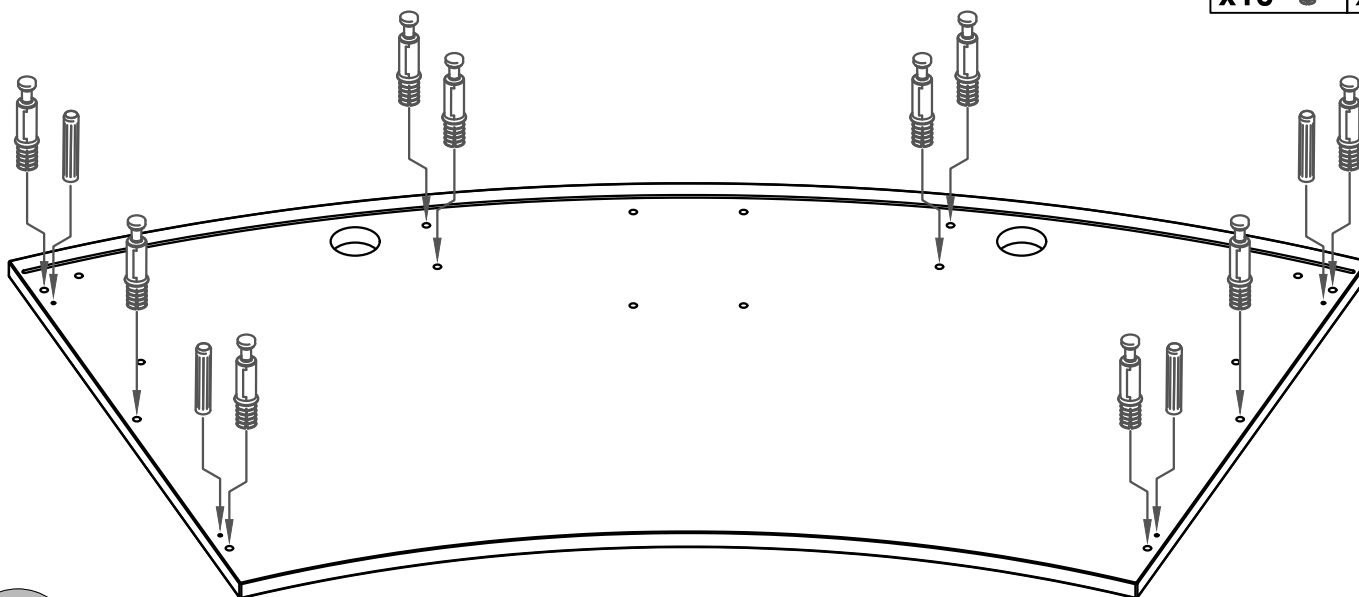
Minifix Cam  
RM-CAM03

**x3**



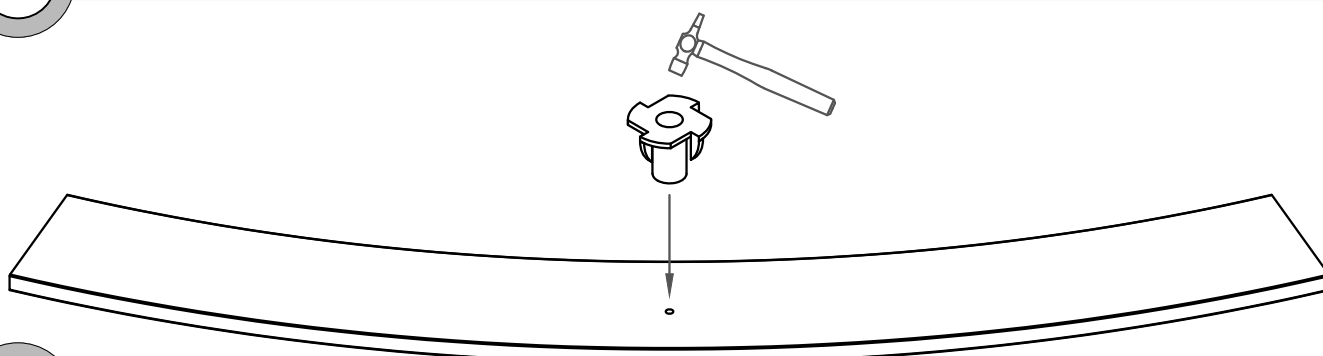
5

|                               |                                 |
|-------------------------------|---------------------------------|
| 24mm Quickfix Pin<br>RM-BLT06 | Wood dowel 30 x 5mm<br>RM-WOW01 |
| <b>x10</b>                    | <b>x4</b>                       |



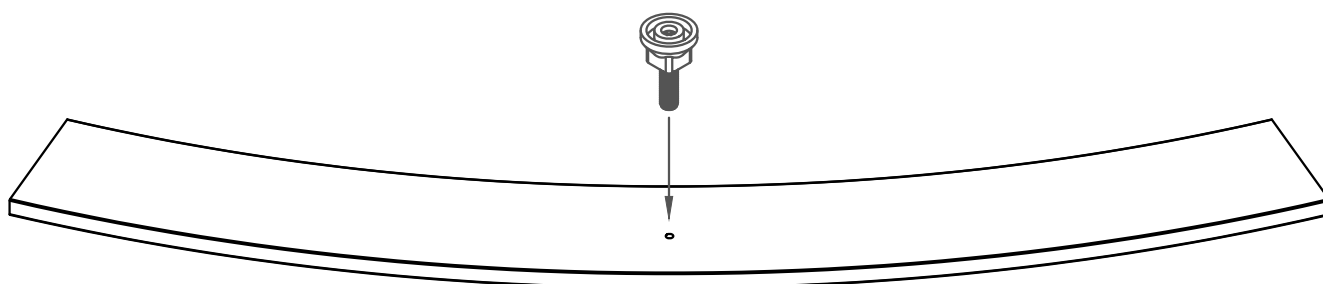
6

|                               |
|-------------------------------|
| M6 x 17.5mm T-nut<br>RM-NU202 |
| <b>x1</b>                     |



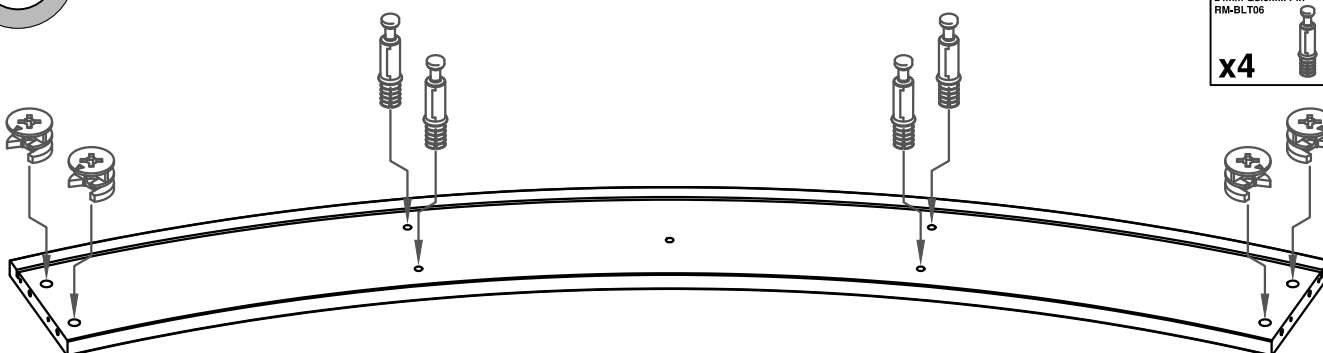
7

|                                |
|--------------------------------|
| M6 x 25mm Adj Foot<br>RM-FRL19 |
| <b>x1</b>                      |



8

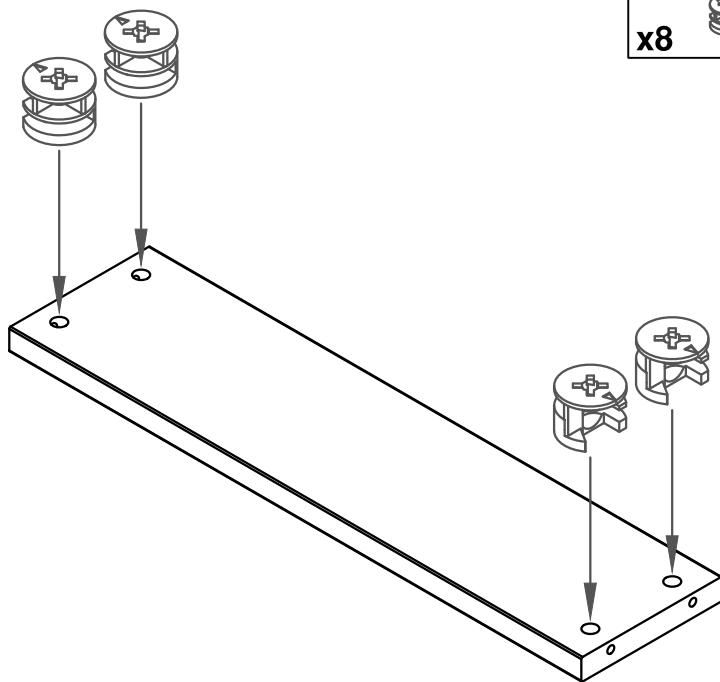
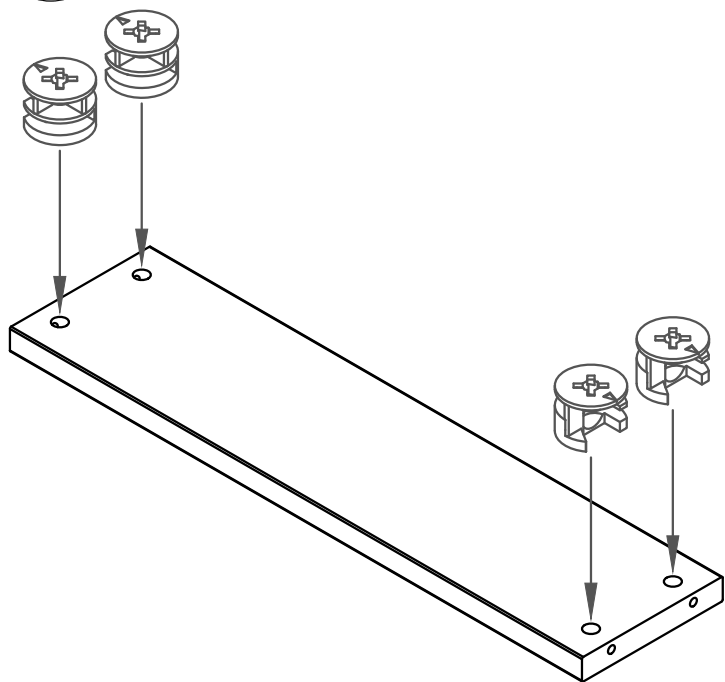
|                               |                         |
|-------------------------------|-------------------------|
| 24mm Quickfix Pin<br>RM-BLT06 | Minifix Cam<br>RM-CAM03 |
| <b>x4</b>                     | <b>x4</b>               |



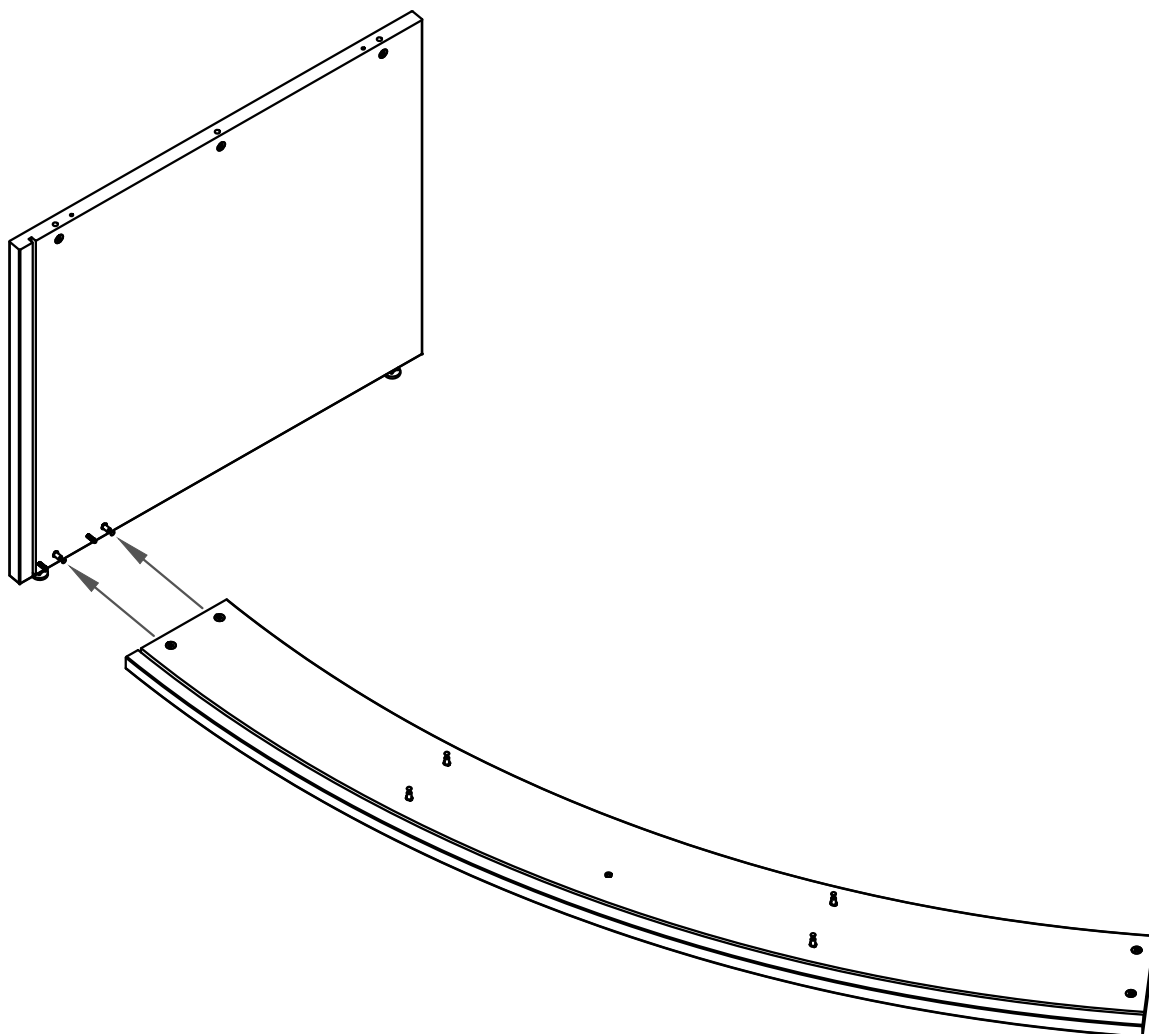
9

Minifix Cam  
RM-CAM03

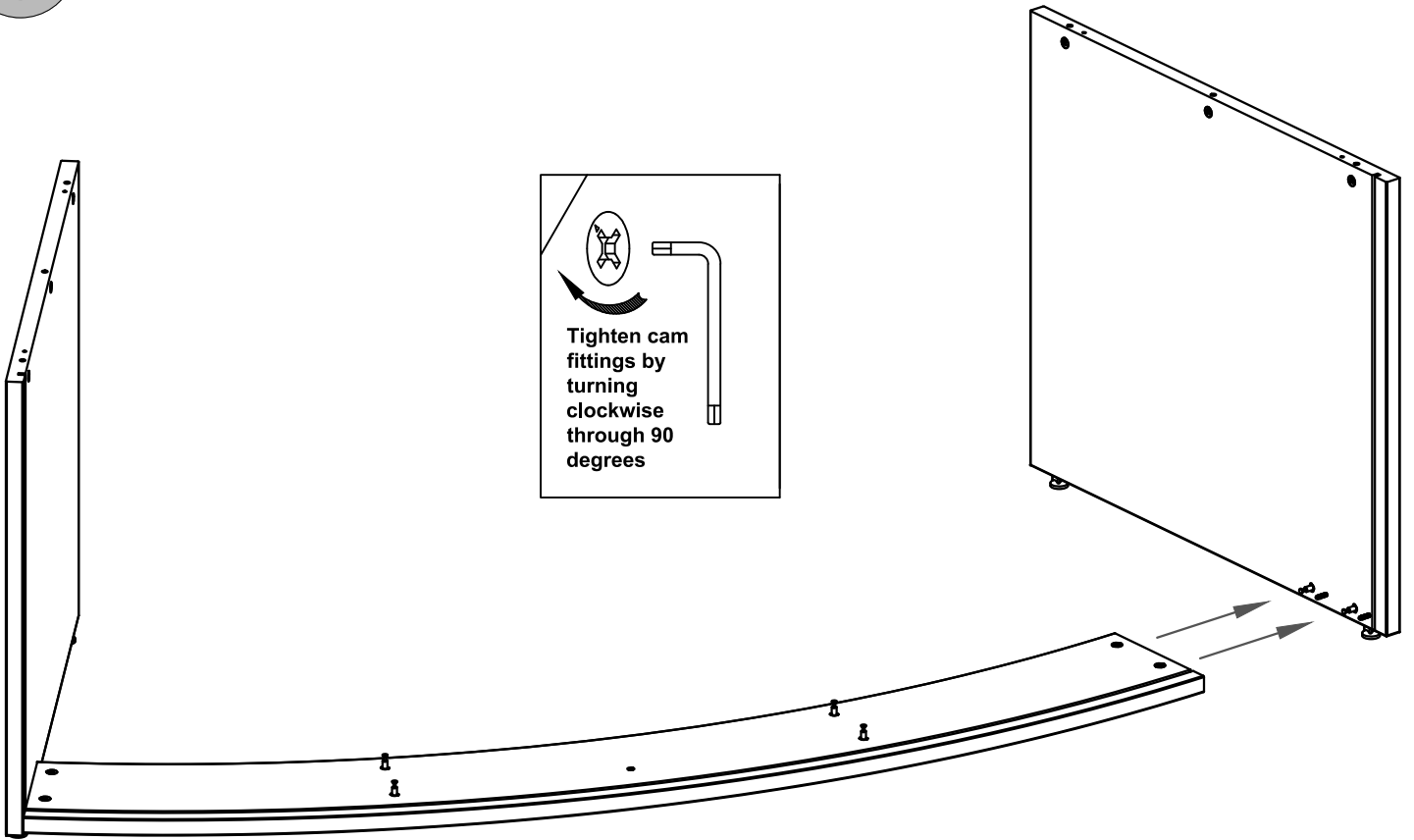
x8



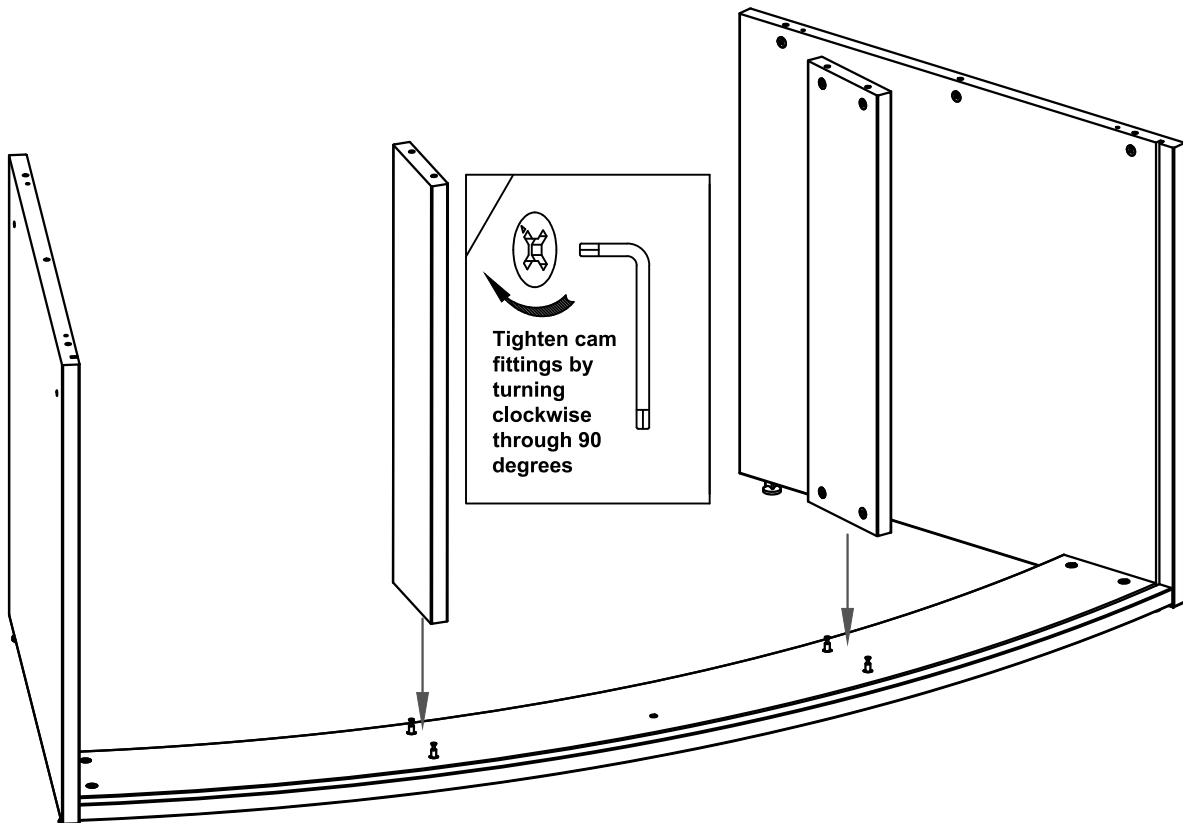
10



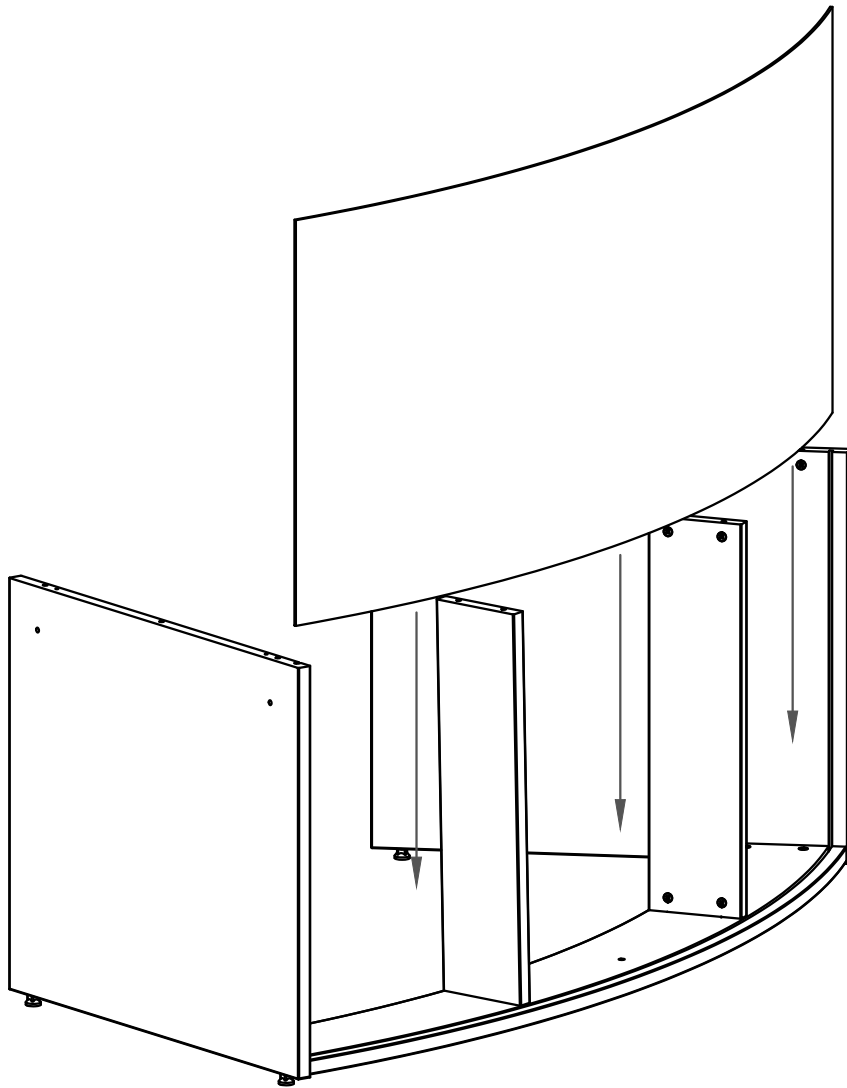
11



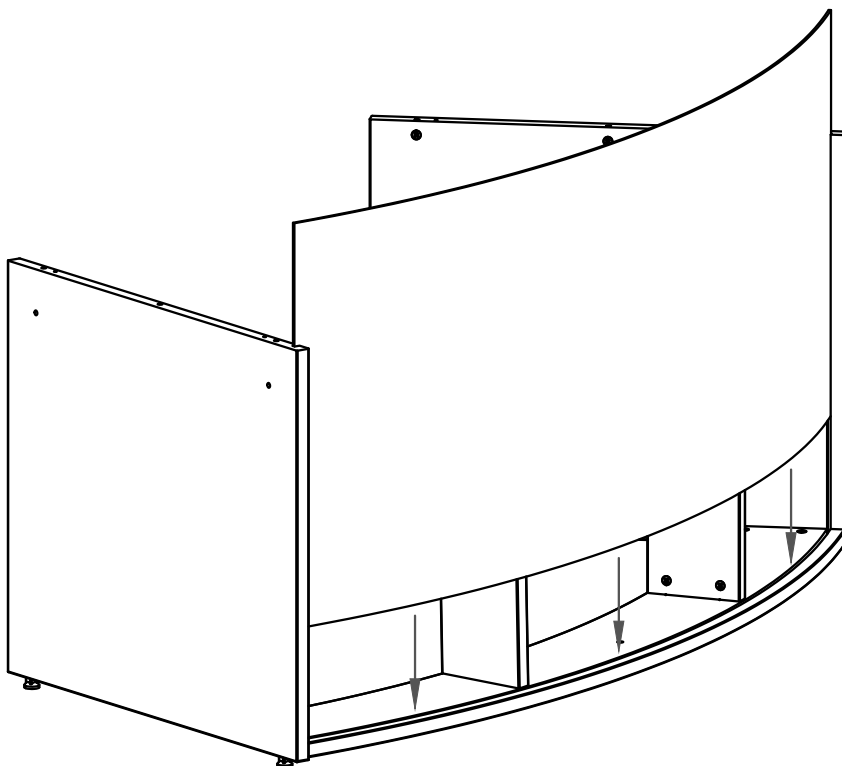
12



13

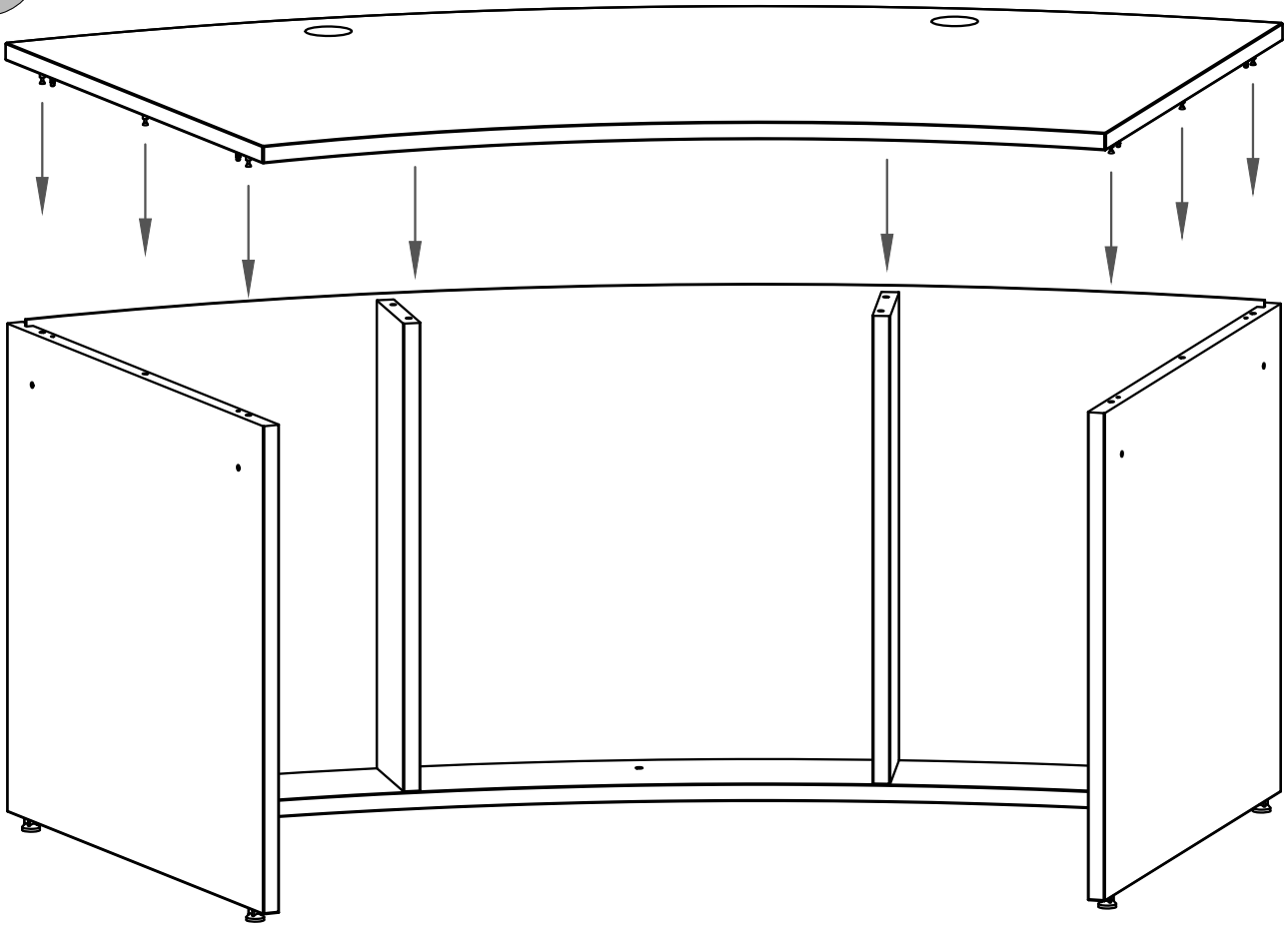


14

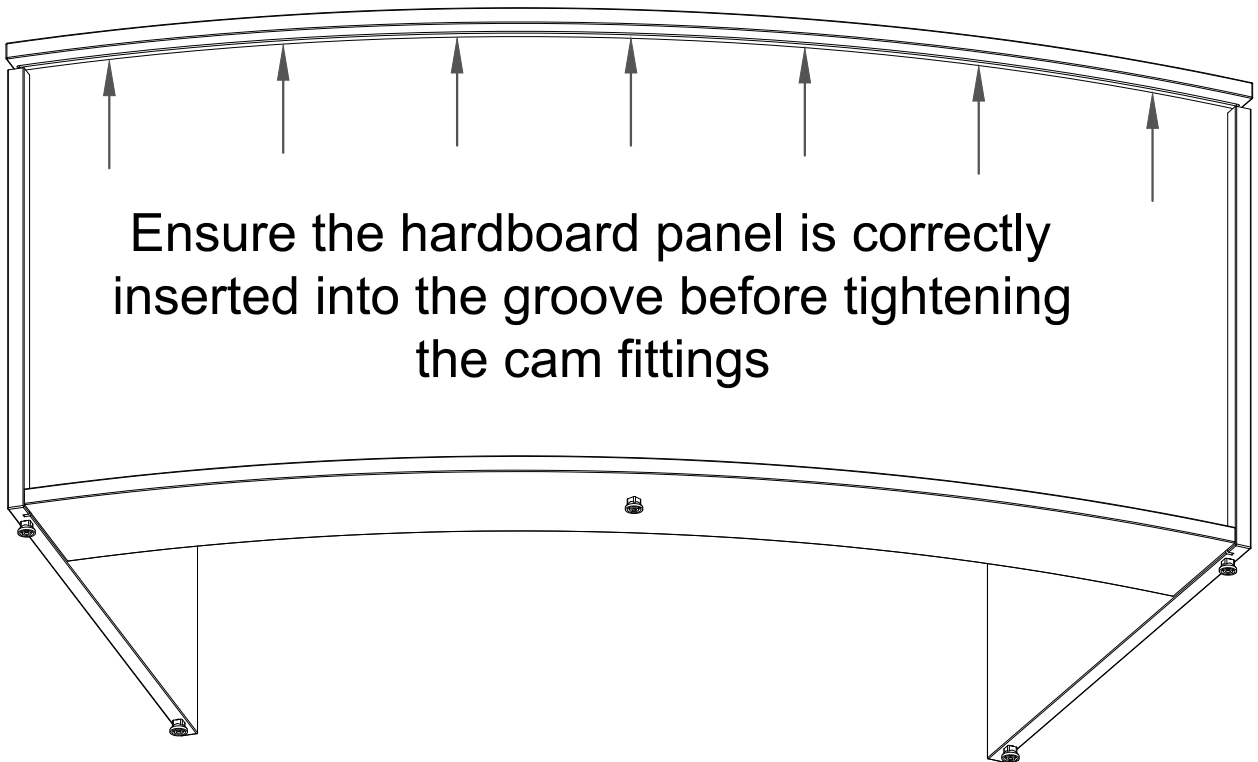




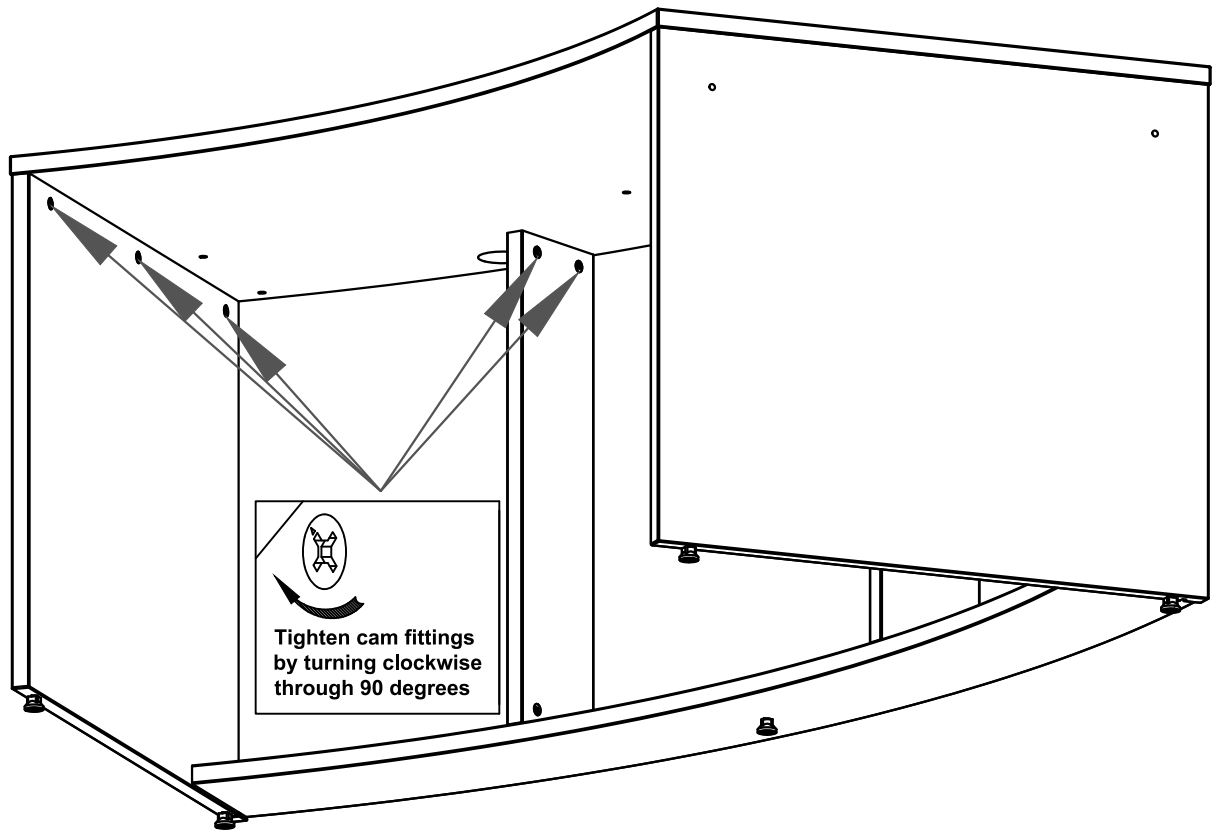
15



16



17



18

