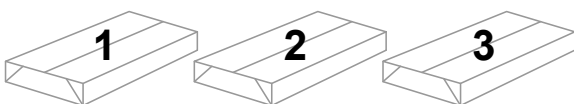
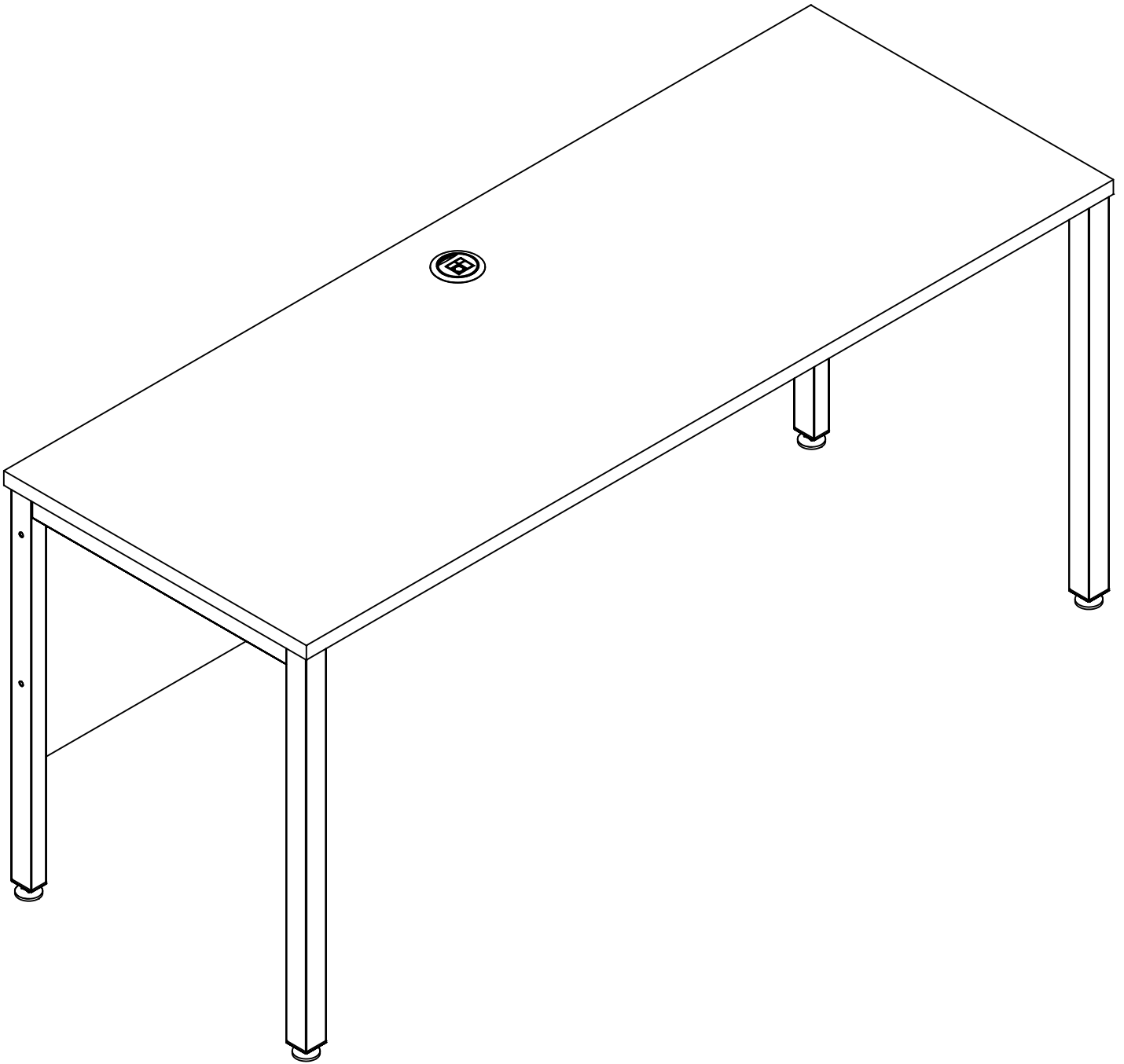




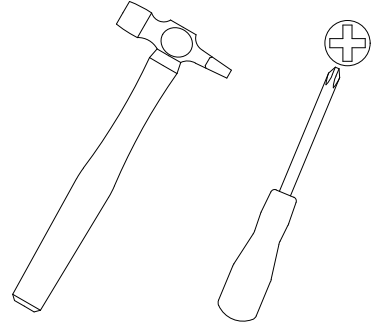
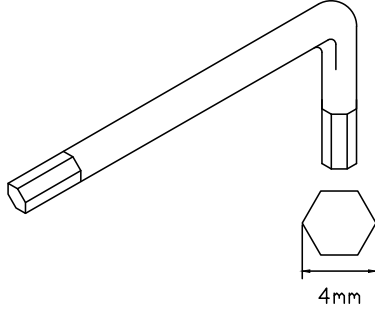
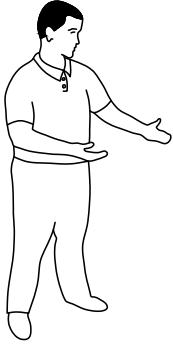
# Maestro 25 Desking

# N6HSL

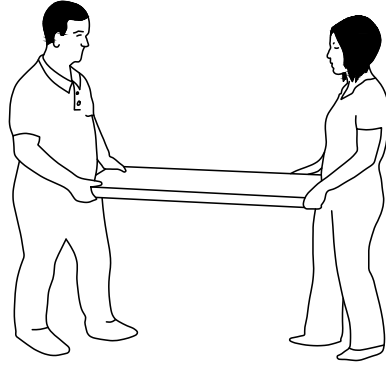
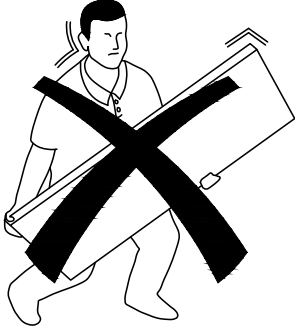
600mm H-Frame End Legs



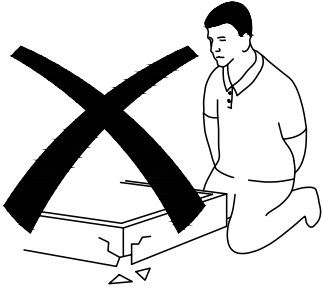
**TOOLS REQUIRED  
FOR ASSEMBLY**



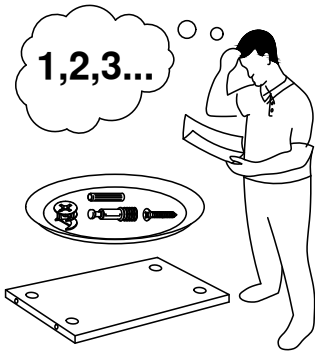
**DON'T STRUGGLE  
2 MAN LIFT**



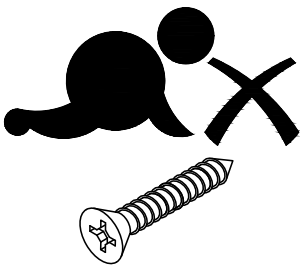
**ALWAYS HANDLE  
ITEMS WITH CARE**



**IF UNSURE CALL  
FOR ASSISTANCE**

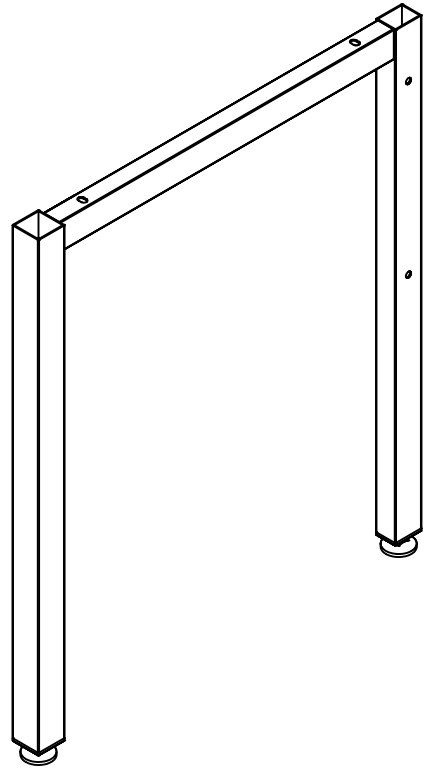
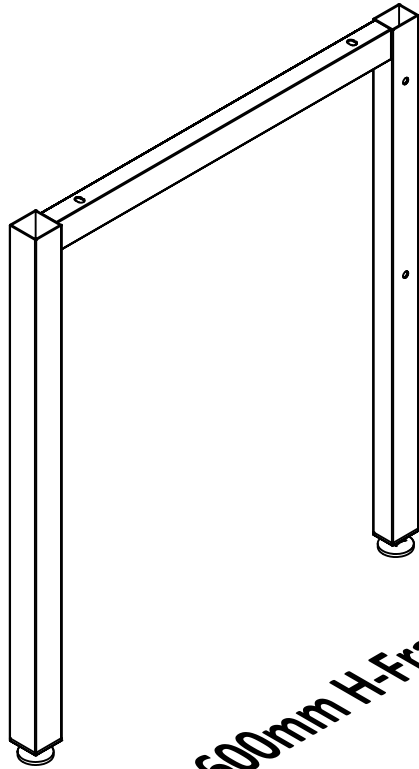
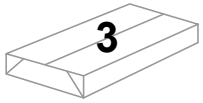
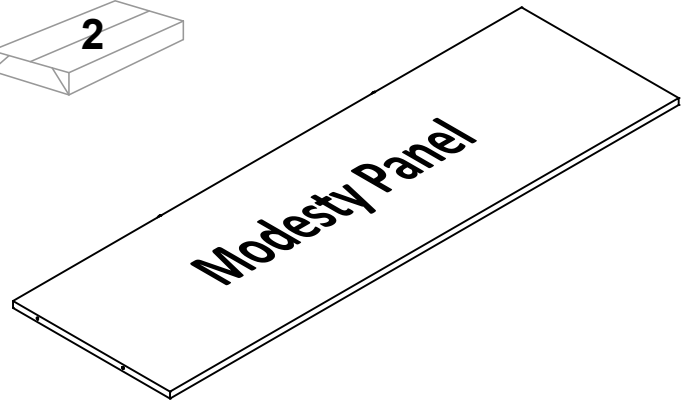
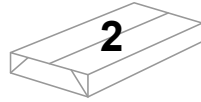
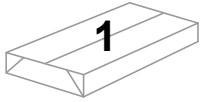


**KEEP FITTINGS AWAY  
FROM CHILDREN**





Please check that you have all the components!



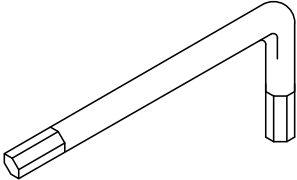
2 x 600mm H-Frame Leg



Please check that you have all the hardware!

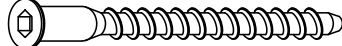
4mm Allen Key  
RM-ALK01

**x1**




Confirmat Screw 70mm (Silver)  
RM-CFM04

**x4**



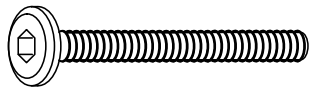
Nylon M6x10 Socket  
RM-PAR05

**x4**



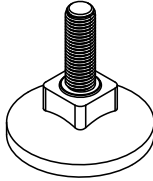
Connect Bolt M6x50mm  
RM-BLT05

**x4**



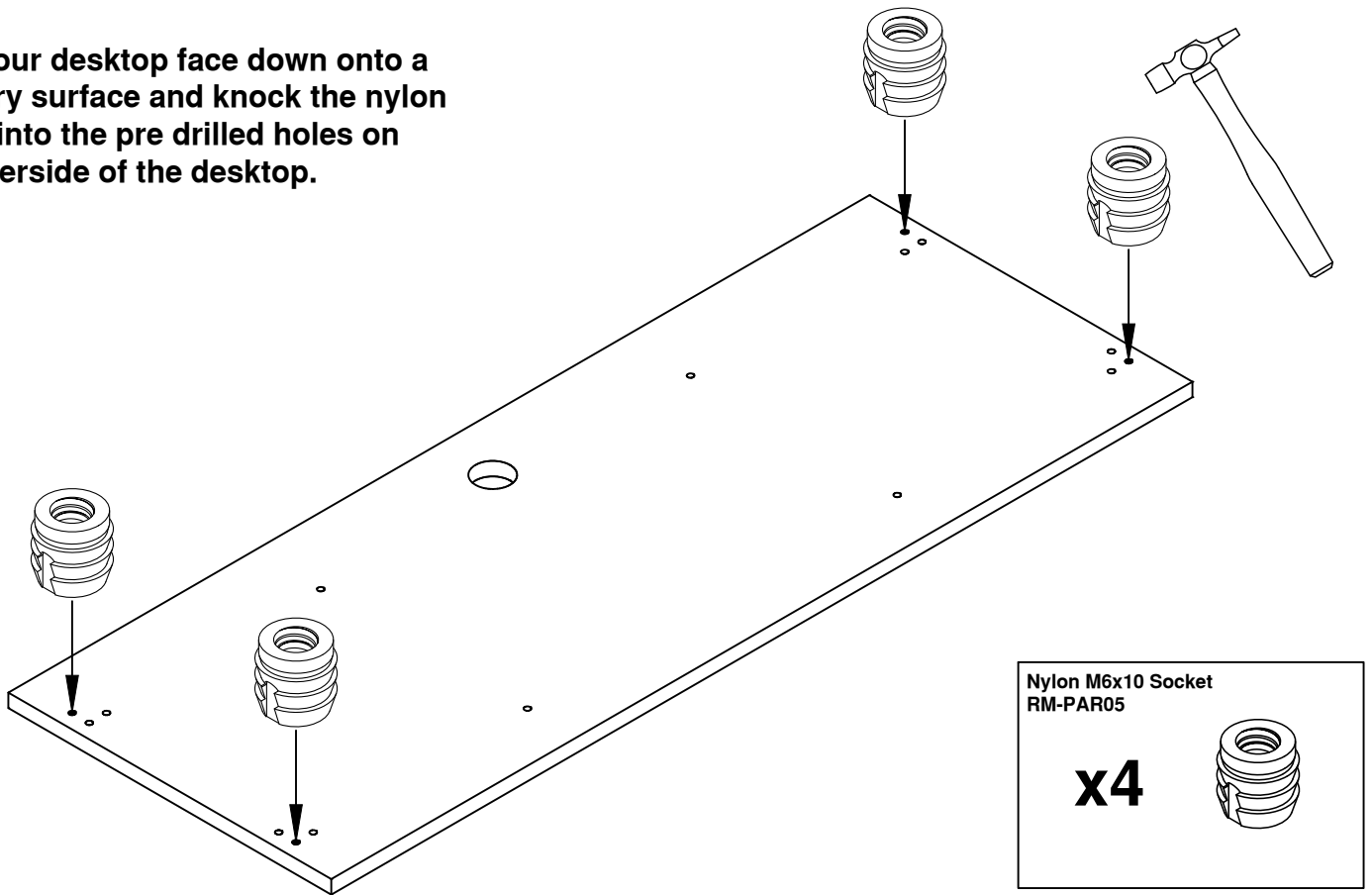
Adjustable Foot Dia 38mm  
RM-FRL20

**x4**



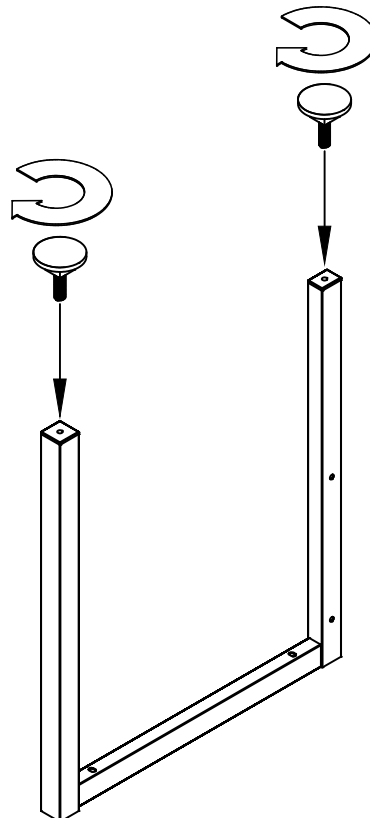
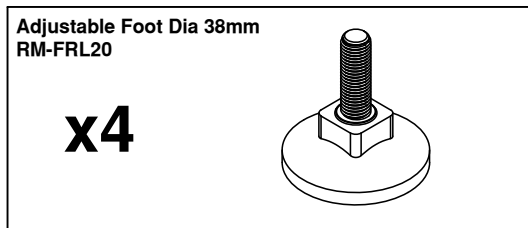
1

**Step 1**  
Place your desktop face down onto a clean dry surface and knock the nylon inserts into the pre drilled holes on the underside of the desktop.



2

**Step 2**  
Screw the 38mm adjustable feet into the bottom of each leg.

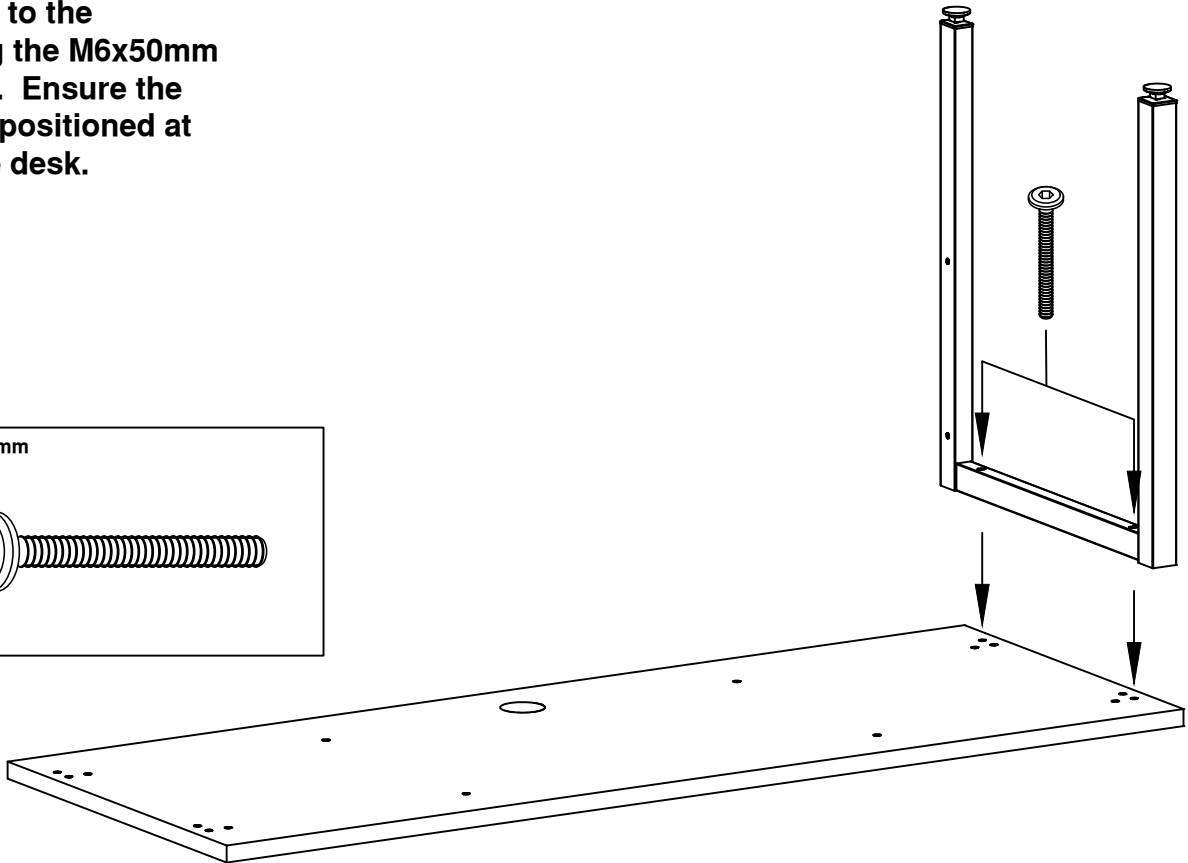
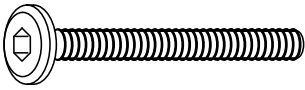


3

**Step 3**  
Attach the leg to the desktop using the M6x50mm connect bolts. Ensure the portholes are positioned at the rear of the desk.

Connect Bolt M6x50mm  
RM-BLT05

x2

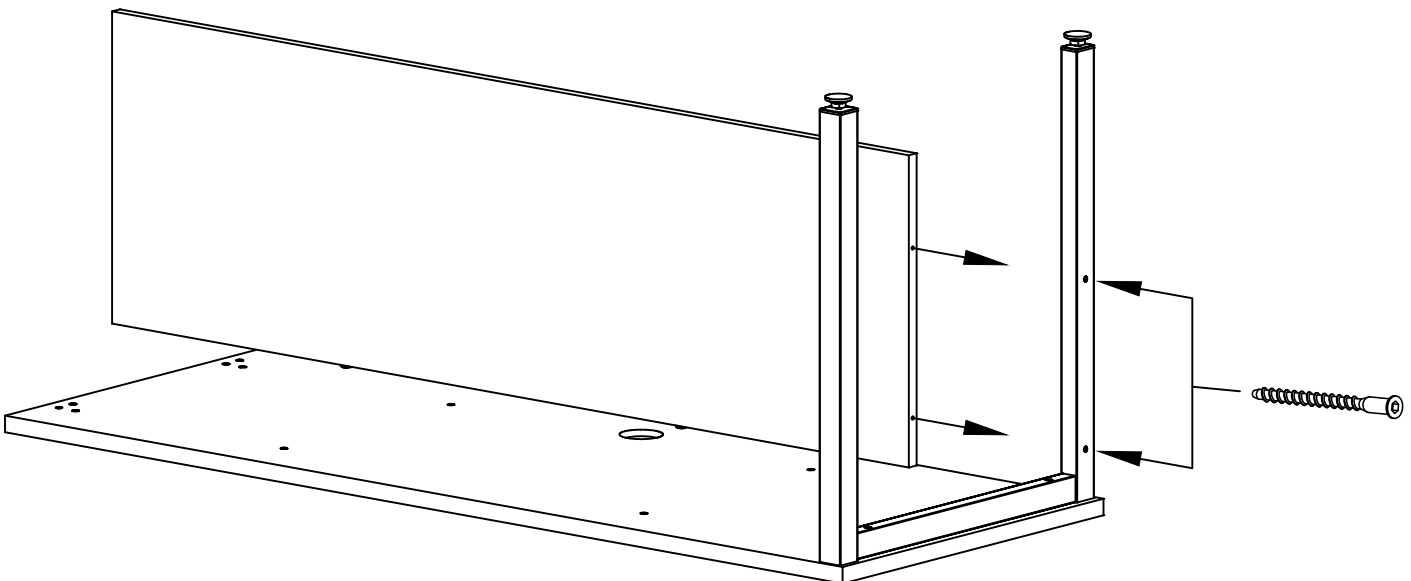
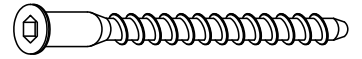


4

**Step 4**  
Attach the leg to the modesty panel using the 70mm confirmat screws.

Confirmat Screw 70mm (Silver)  
RM-CFM04

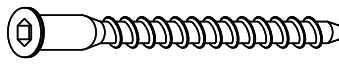
x2

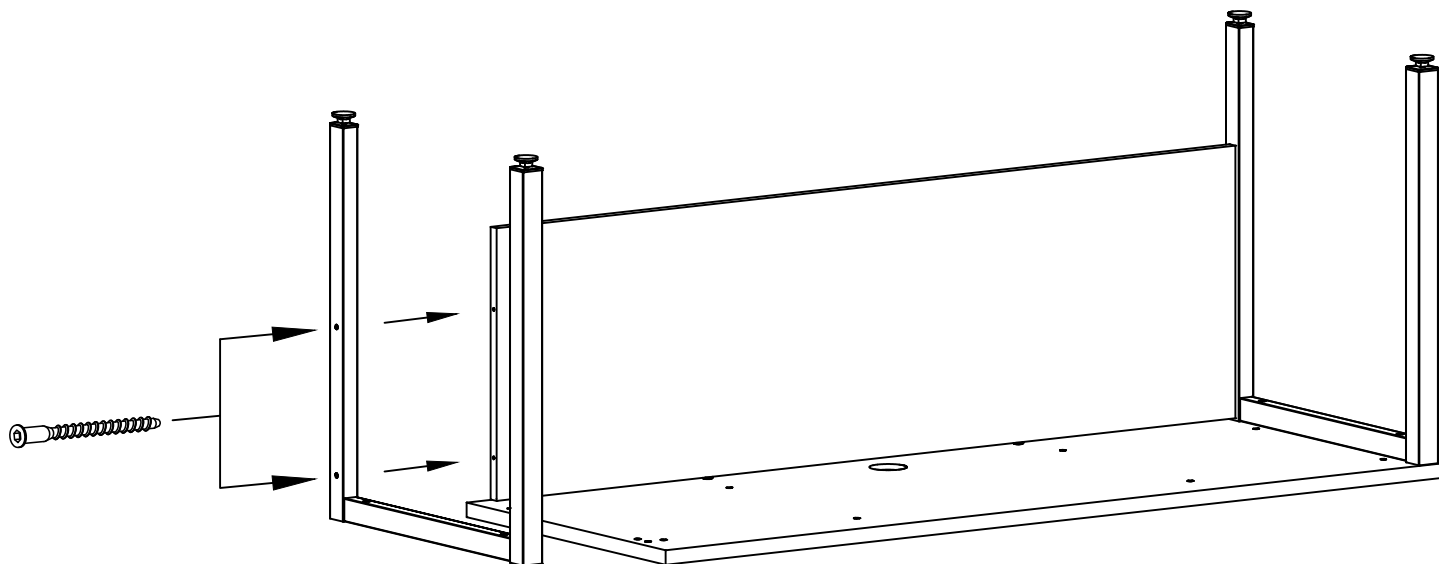


5

**Step 5**  
Attach the leg to the  
modesty panel using the  
70mm confirmat screws.

Confirmat Screw 70mm (Silver)  
RM-CFM04


x2 

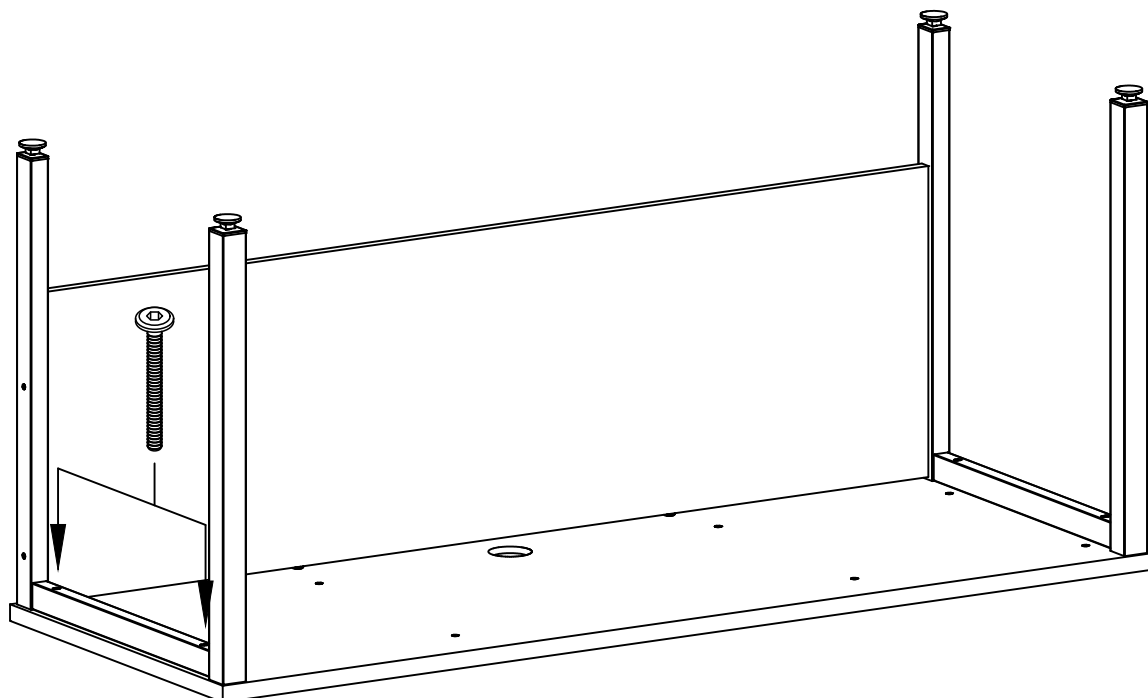


6

**Step 6**  
Fix the leg to the desktop  
using the M6x50mm  
connect bolts.

Connect Bolt M6x50mm  
RM-BLT05

x2 

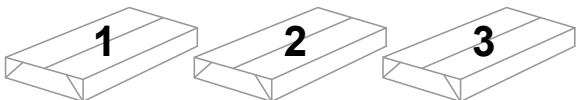
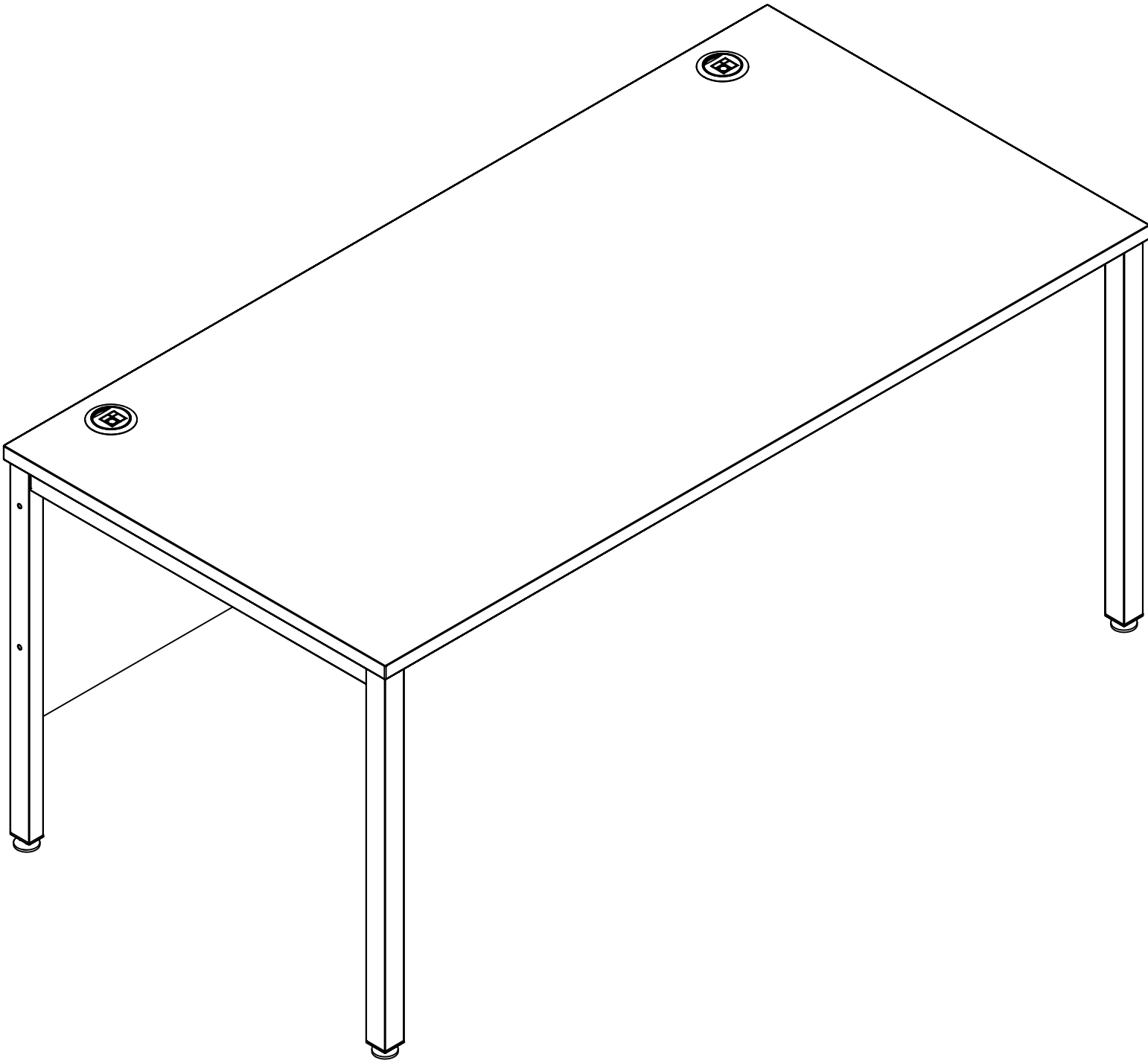




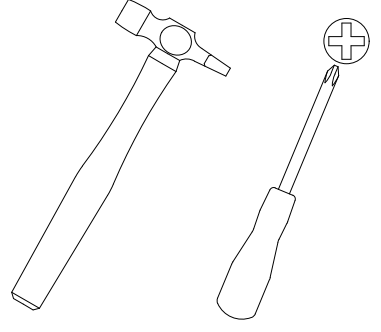
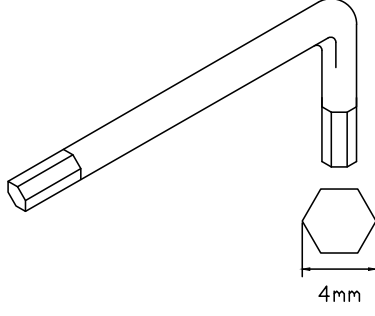
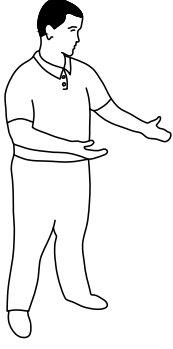
# Maestro 25 Desking

# N8HSL

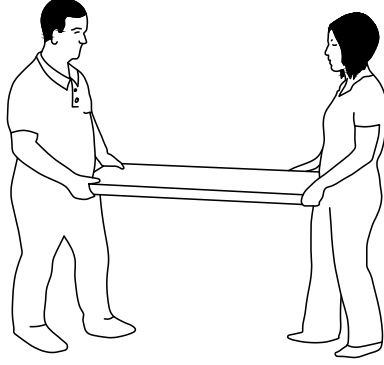
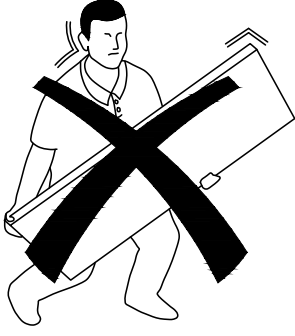
800mm H-Frame End Legs



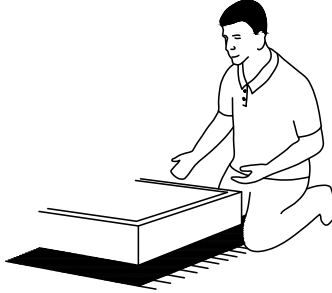
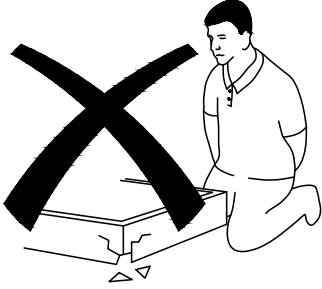
**TOOLS REQUIRED  
FOR ASSEMBLY**



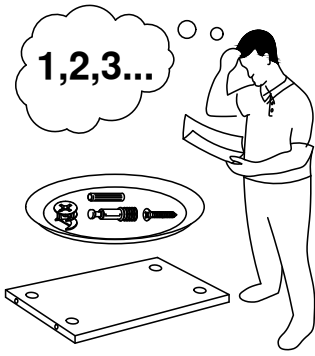
**DON'T STRUGGLE  
2 MAN LIFT**



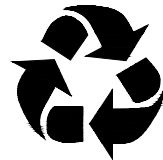
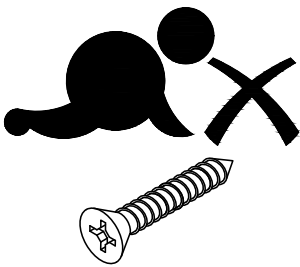
**ALWAYS HANDLE  
ITEMS WITH CARE**



**IF UNSURE CALL  
FOR ASSISTANCE**



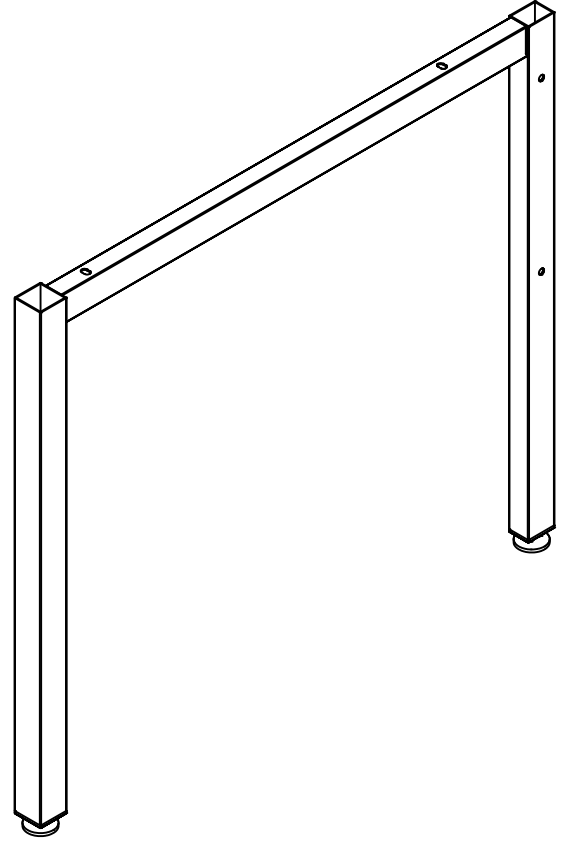
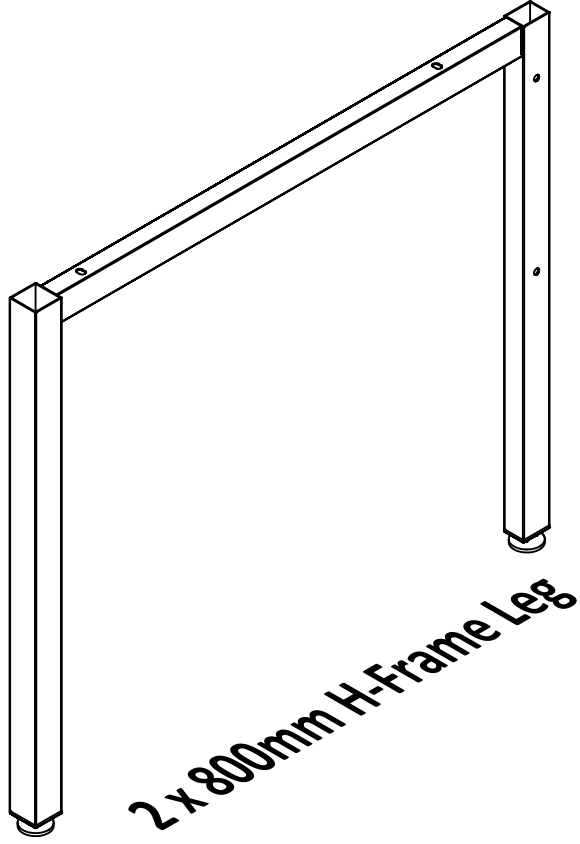
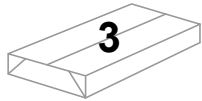
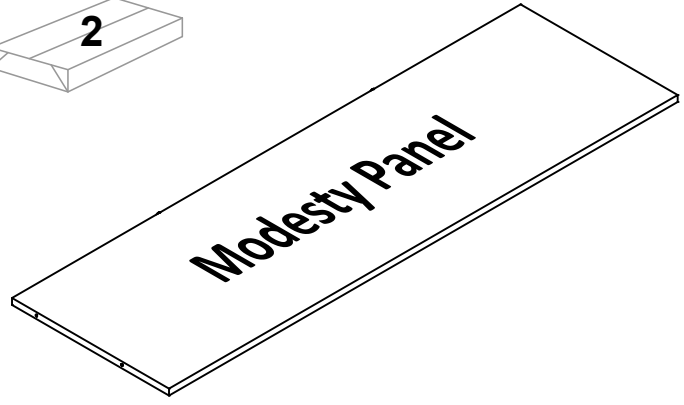
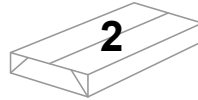
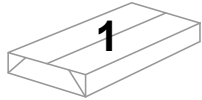
**KEEP FITTINGS AWAY  
FROM CHILDREN**







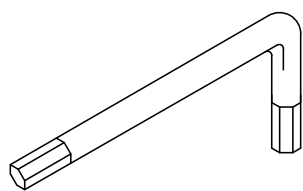
Please check that you have all the components!



Please check that you have all the hardware!

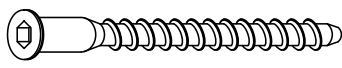
4mm Allen Key  
RM-ALK01

**x1**



Confirmat Screw 70mm (Silver)  
RM-CFM04

**x4**



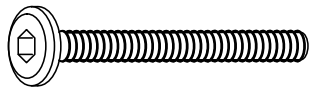
Nylon M6x10 Socket  
RM-PAR05

**x4**



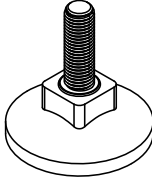
Connect Bolt M6x50mm  
RM-BLT05

**x4**



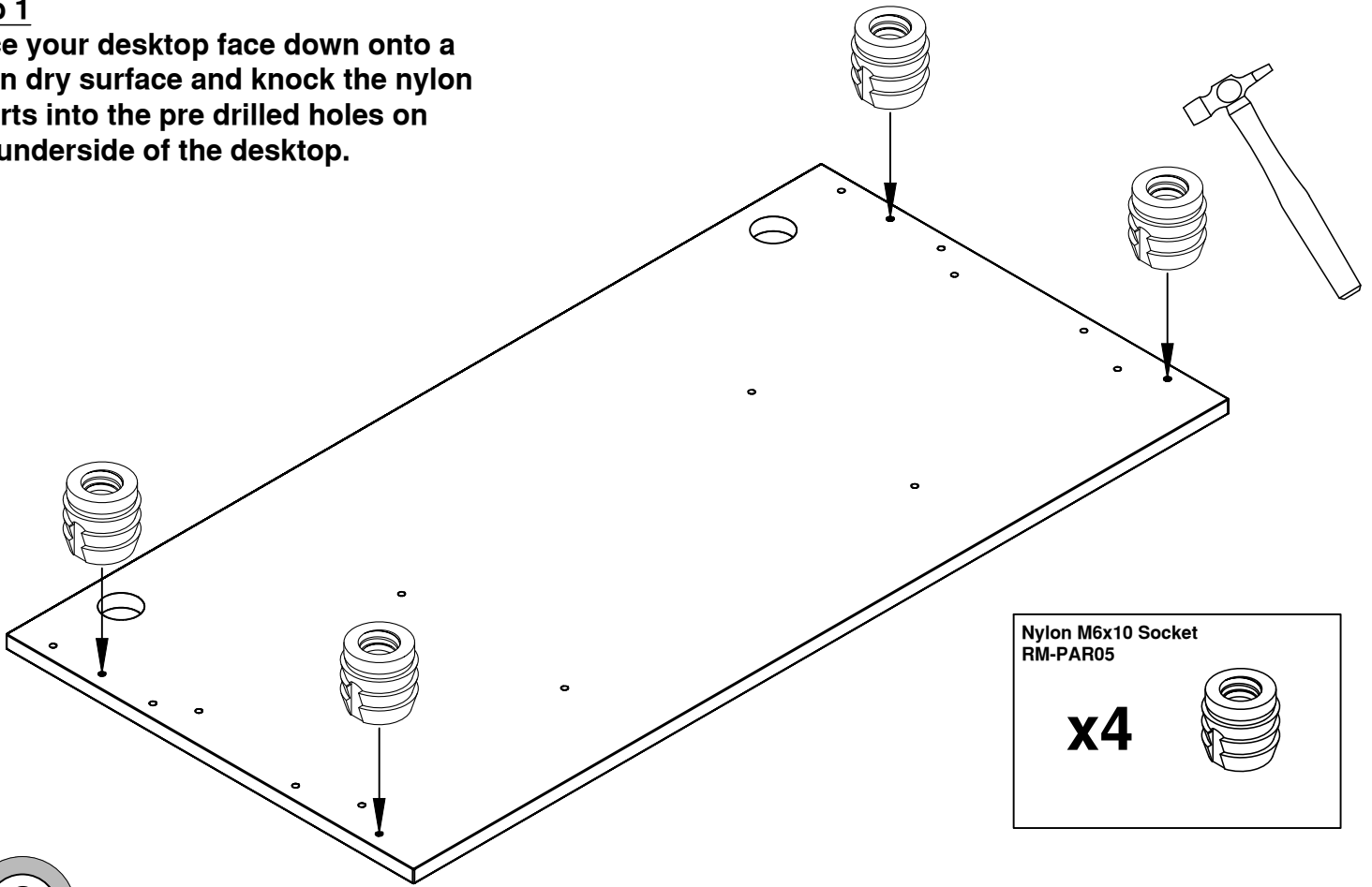
Adjustable Foot Dia 38mm  
RM-FRL20

**x4**



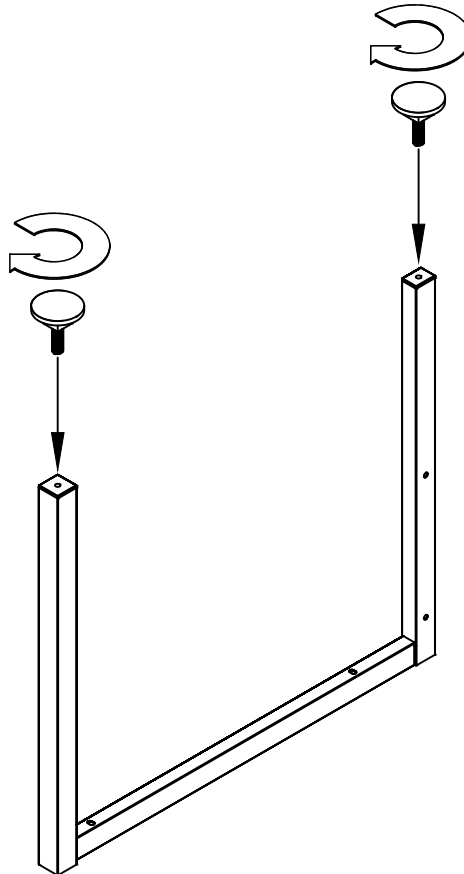
1

**Step 1**  
Place your desktop face down onto a clean dry surface and knock the nylon inserts into the pre drilled holes on the underside of the desktop.



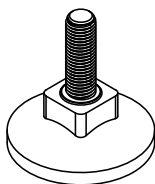
2

**Step 2**  
Screw the 38mm adjustable feet into the bottom of each leg.



Adjustable Foot Dia 38mm  
RM-FRL20

x4

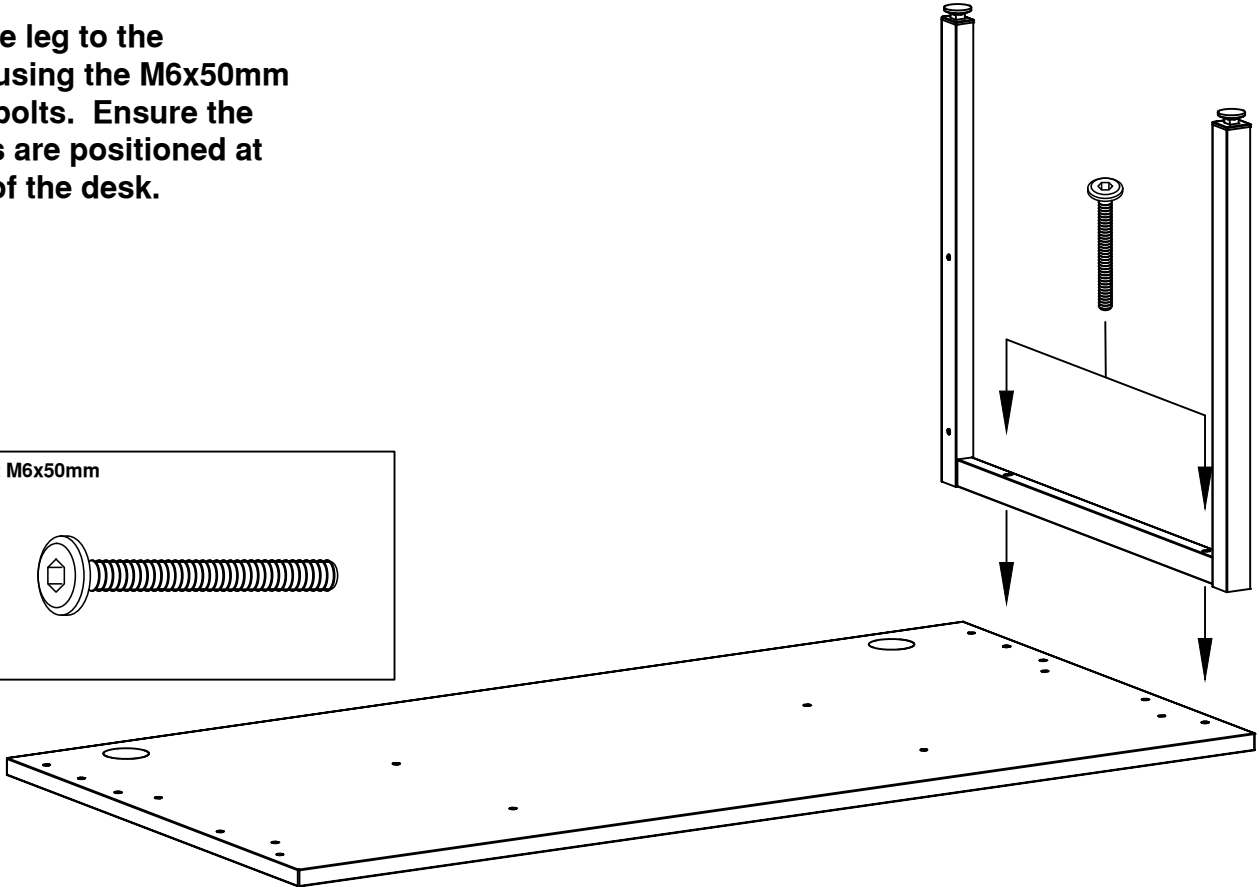
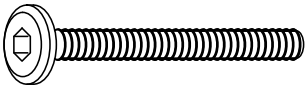


3

**Step 3**  
Attach the leg to the desktop using the M6x50mm connect bolts. Ensure the portholes are positioned at the rear of the desk.

Connect Bolt M6x50mm  
RM-BLT05

x2

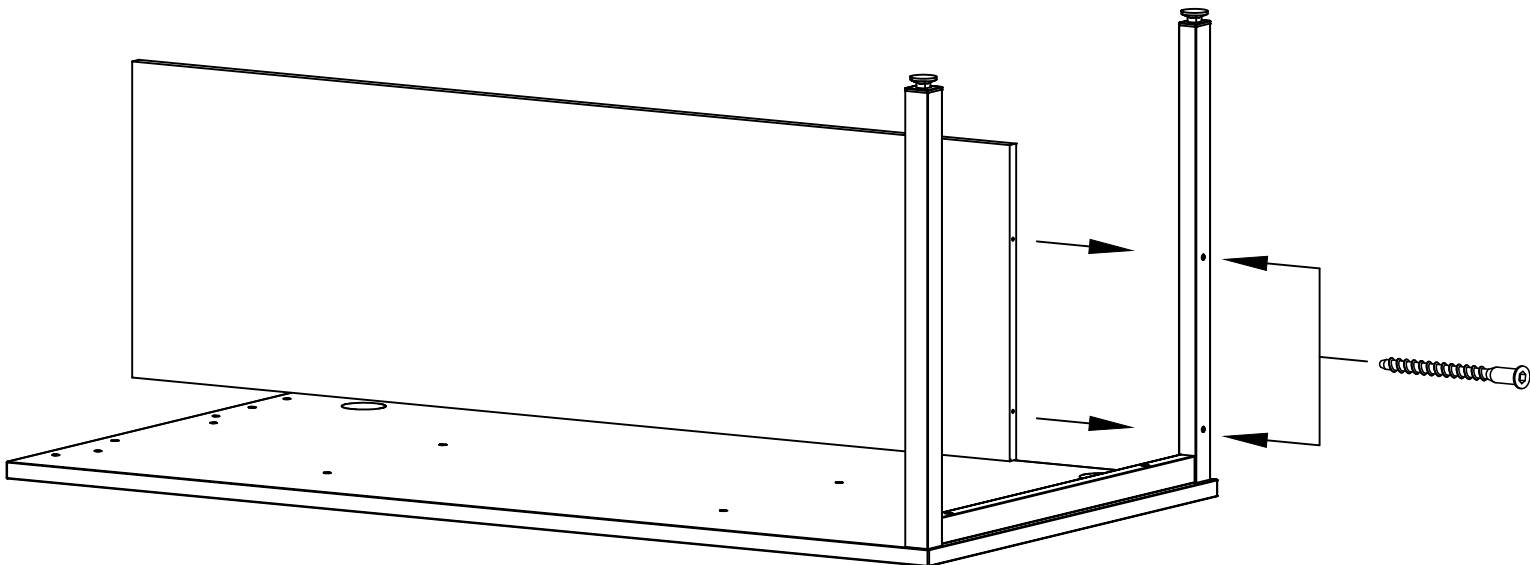


4

**Step 4**  
Attach the leg to the modesty panel using the 70mm confirmat screws.

Confirmat Screw 70mm (Silver)  
RM-CFM04

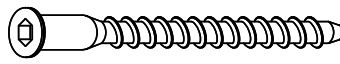
x2

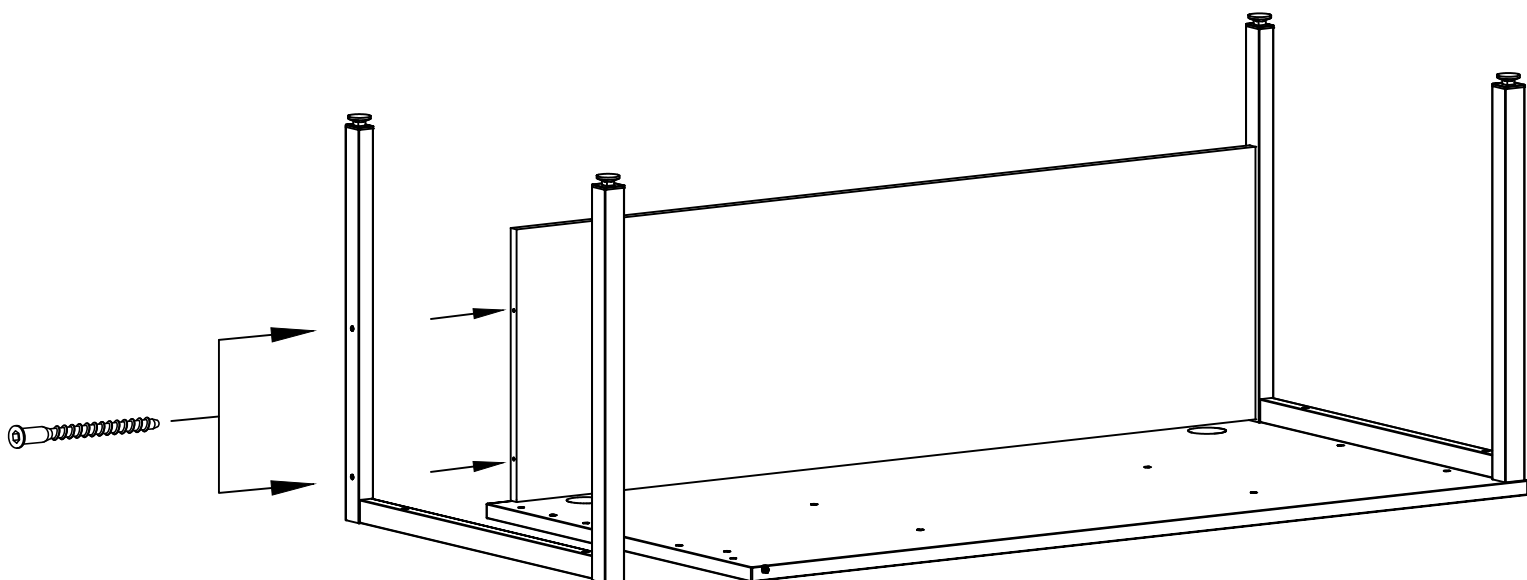


5

**Step 5**  
Attach the leg to the  
modesty panel using the  
70mm confirmat screws.

Confirmat Screw 70mm (Silver)  
RM-CFM04

**x2** 



6

**Step 6**  
Fix the leg to the desktop  
using the M6x50mm  
connect bolts.

Connect Bolt M6x50mm  
RM-BLT05

**x2** 