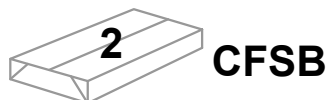
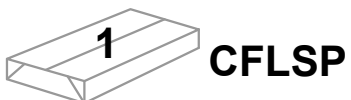
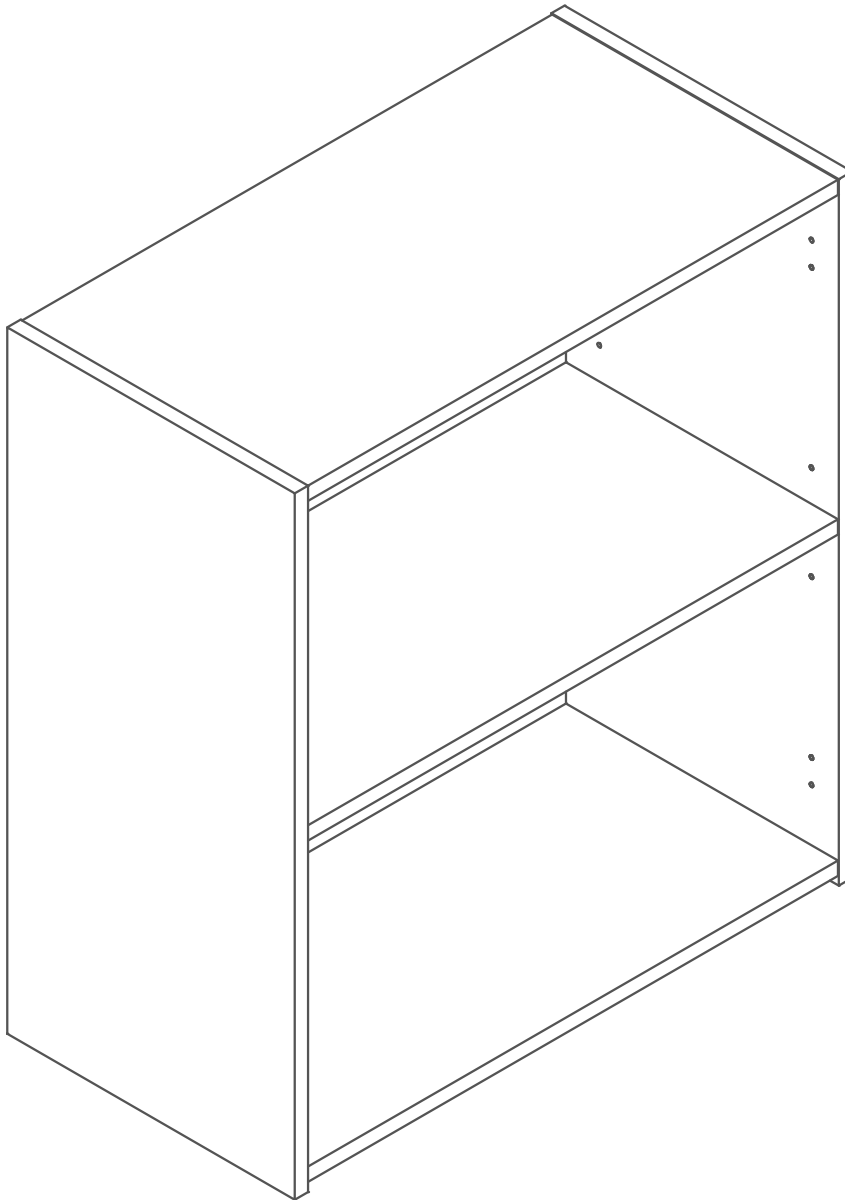
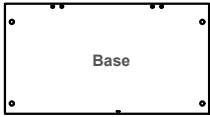
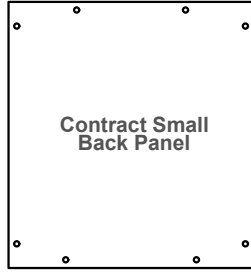
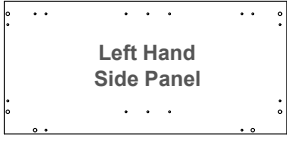


# CFLBC

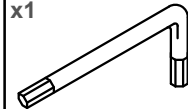




# Please check that you have all the packages and fittings



Please Note all fittings are packed in the CFLSP



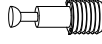
x1 RM-ALK01 - 4mm ALLEN KEY

x16



RM-CAM03 - 15mm MINIFIX CAM

x16



RM-BLT06 - 24mm QUICKFIX PIN

x4



RM-PAR07 - TRANSPARENT SHELF CLIP

x12

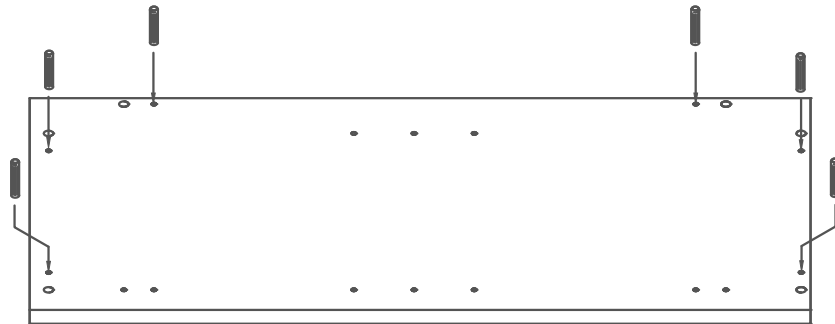
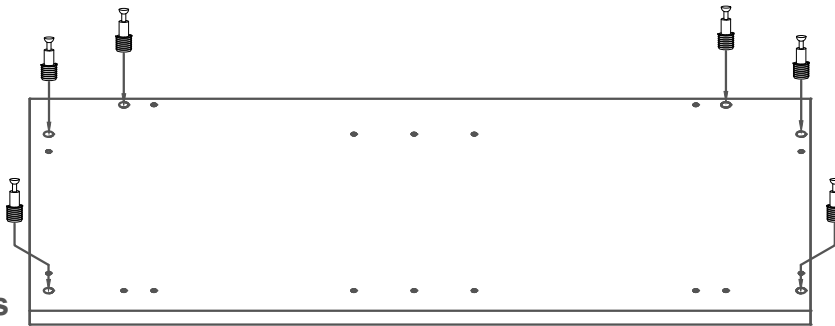


RM-WOW01 - 5mm WOOD DOWEL

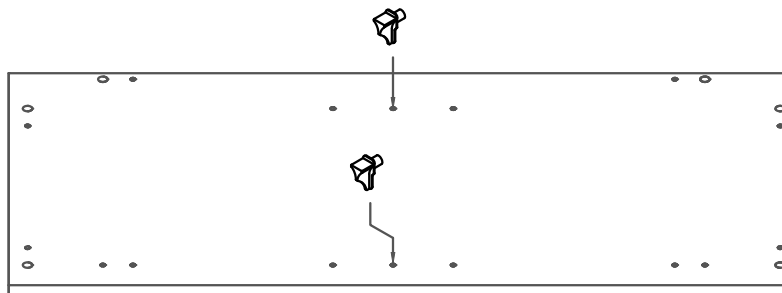


## Insert Dowels, Woodfix Pins and Shelf Clips into both side panels as shown

Quickfix Pins



Wood Dowels

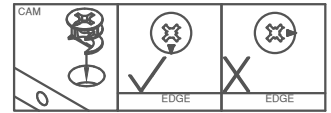


Shelf Clips

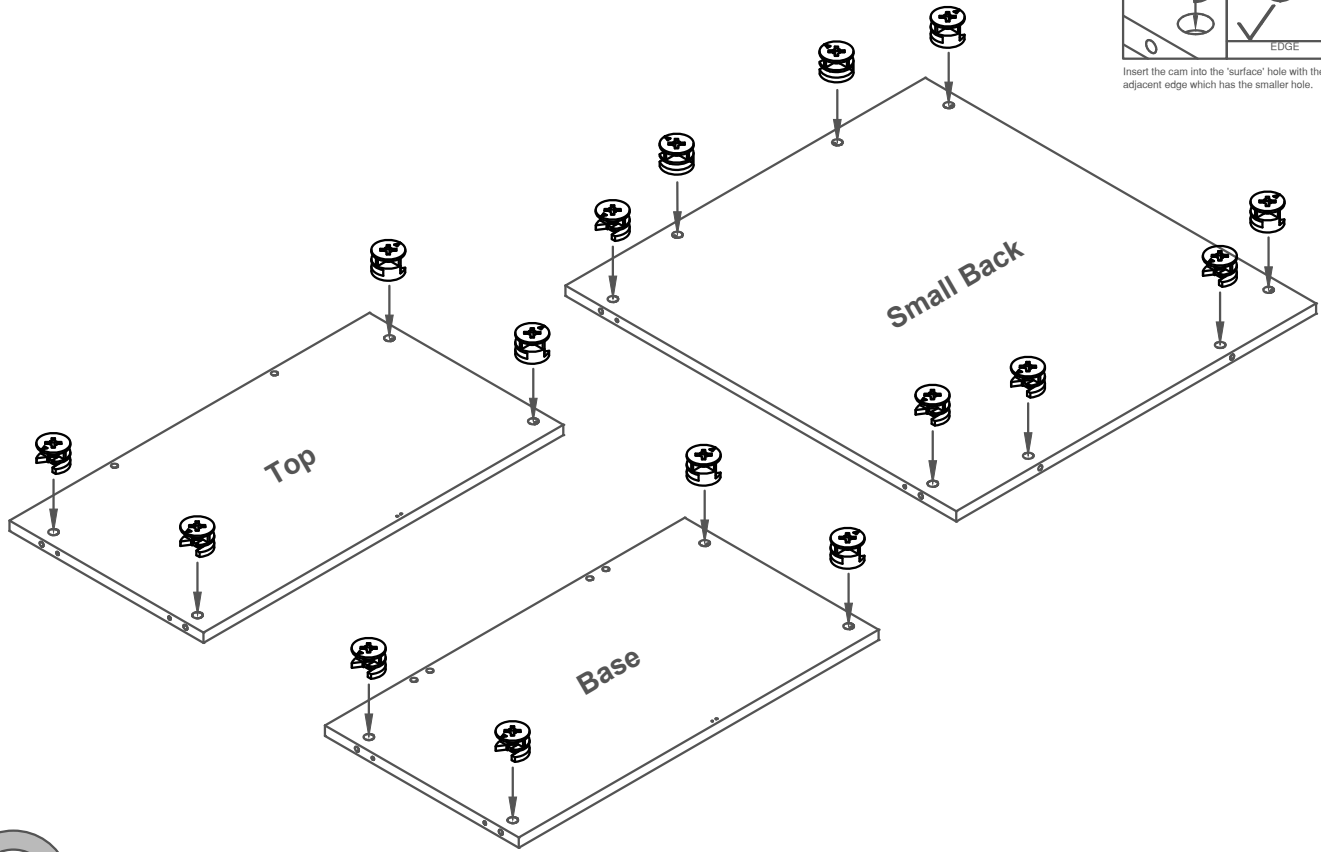
Right Hand Side Panel Shown  
Repeat for Left Hand Side Panel

STEP  
2

Insert the Cams into the back panels, top, base and fixed shelf.



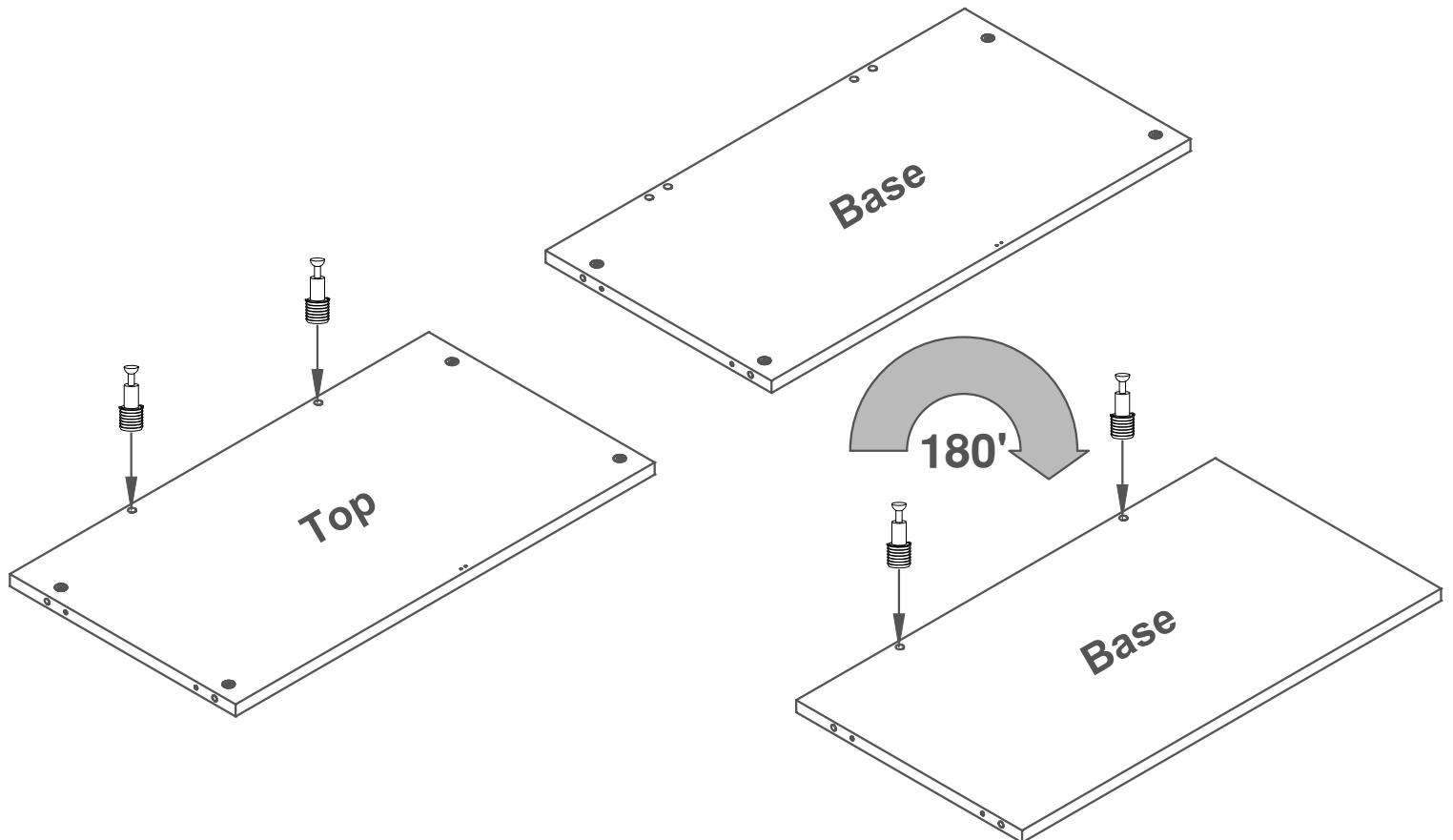
Insert the cam into the 'surface' hole with the arrow aimed at the adjacent edge which has the smaller hole.



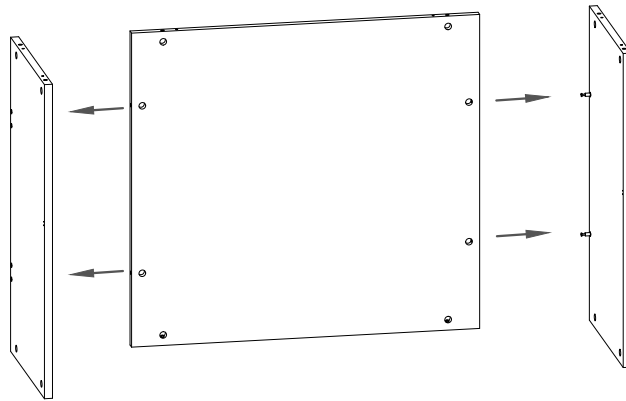
STEP  
3

Insert the Quickfix Pins into the top and base.

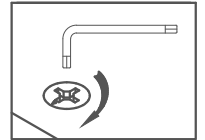
The base will need to be turned over to insert pins in the opposite face.



STEP  
4

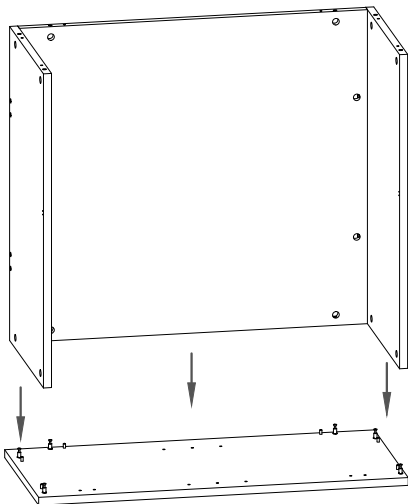


**ATTACH THE TOP AND BASE TO THE BACK PANEL.  
PLEASE ENSURE THAT ALL CAM FITTINGS ARE TIGHTENED**



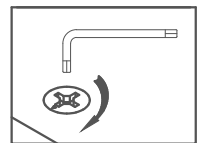
Make sure you turn the cams as far as they will easily go - more than half a turn.

STEP  
5



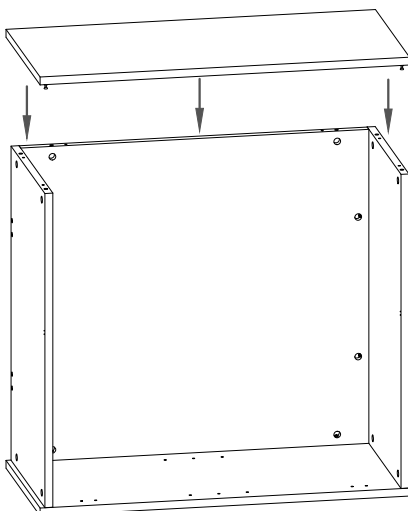
**ATTACH THE PART ASSEMBLED CARCASS TO THE RH SIDE PANEL.**

**PLEASE ENSURE THAT ALL CAM FITTINGS ARE TIGHTENED.**



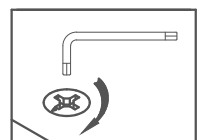
Make sure you turn the cams as far as they will easily go - more than half a turn.

STEP  
6



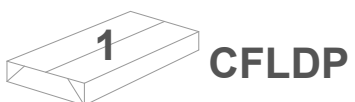
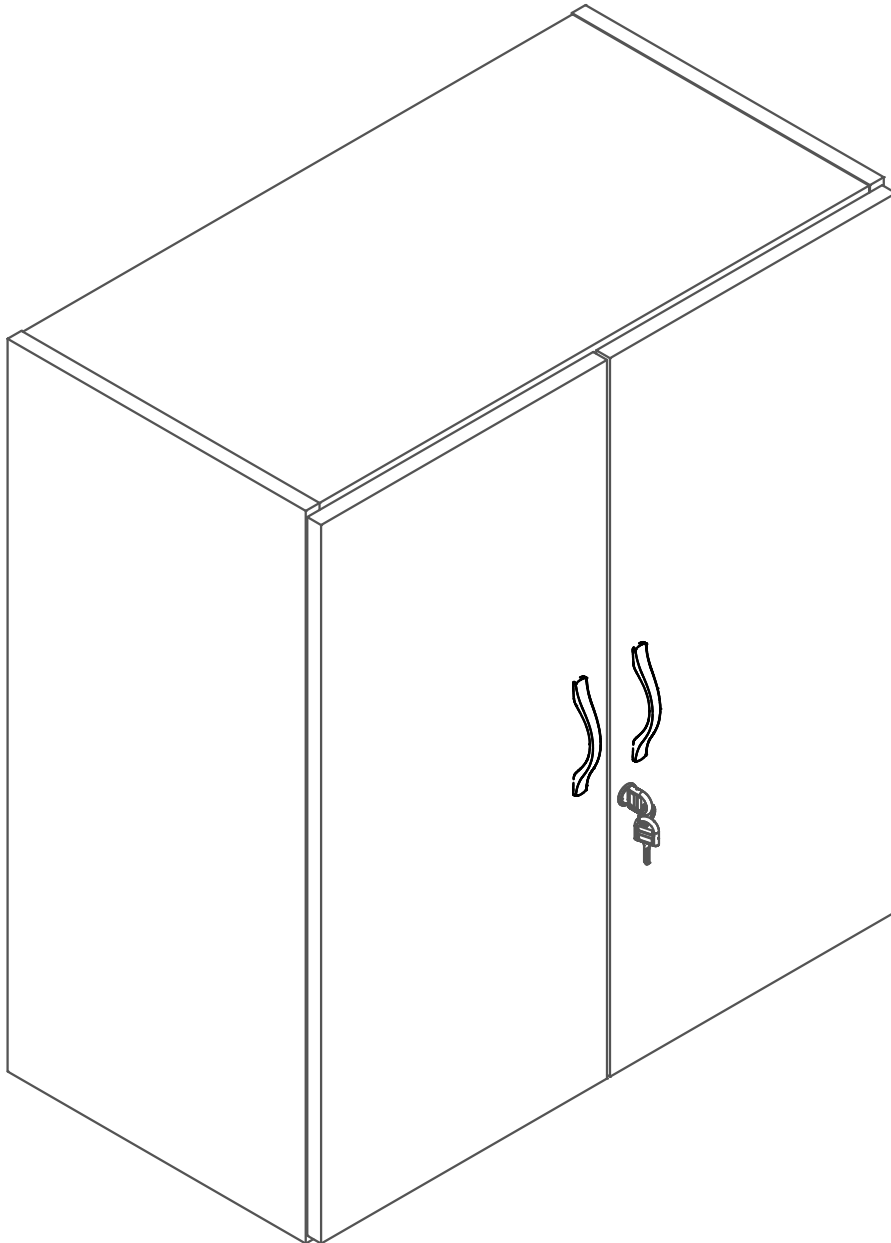
**FINALLY ATTACH THE PART ASSEMBLED CARCASS TO THE LH SIDE PANEL.**

**PLEASE ENSURE THAT ALL CAM FITTINGS ARE TIGHTENED.**



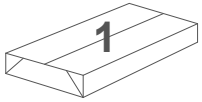
Make sure you turn the cams as far as they will easily go - more than half a turn.

# CFLDP



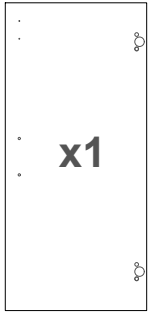


# Please check that you have all the packages and fittings



Pack 1 - CFLDP

Panels


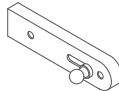
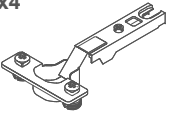

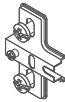

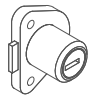

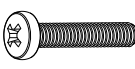


Left Hand Door



Right Hand Door

## Fittings

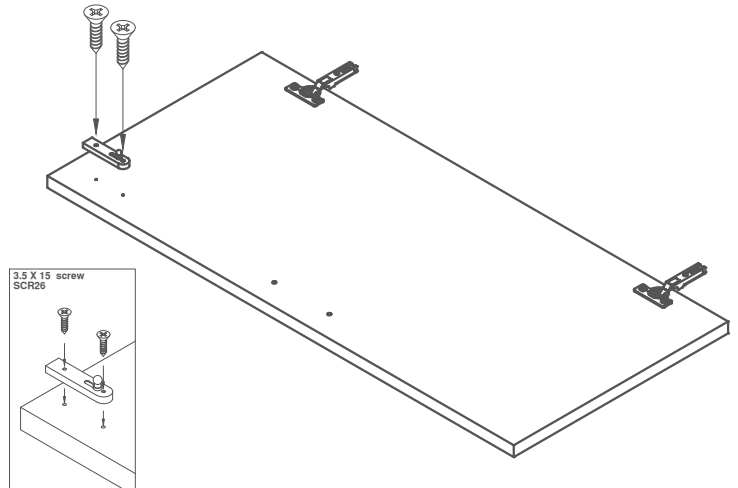
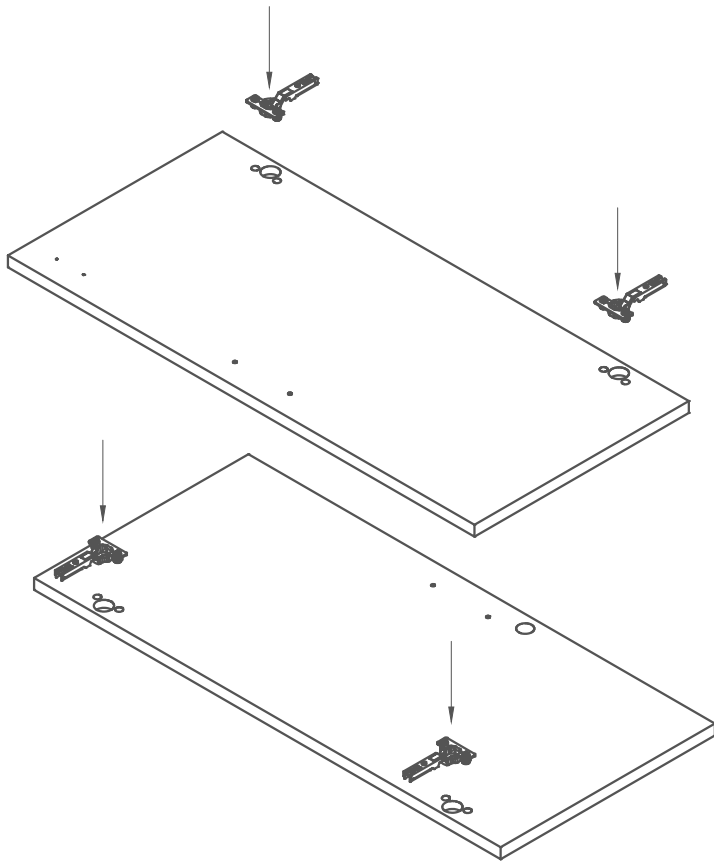
Please Note all fittings are packed in the CFLDP			
x2	 RM-HDL09 96mm HANDLE	x1	 RM-LOK13 SPEGELSTEIN BOLT
x4	 RM-HGE01 SPEED FIX HINGE	x1	 RM-LOK12 SPEGELSTEIN CLIP
x4	 RM-HGP01 SPEED FIX PLATE	x4	 RM-SCR26 3.5 x 15 WOOD SCREW
x1	 RM-LOK11 RABBIT LOCK	x2	 RM-SCR37 4.0 x 20 WOOD SCREW
		x4	 RM-SCR25 M4 x 22 HANDLE SCREW

STEP 1

Insert Speed Fix Hinges into both doors.

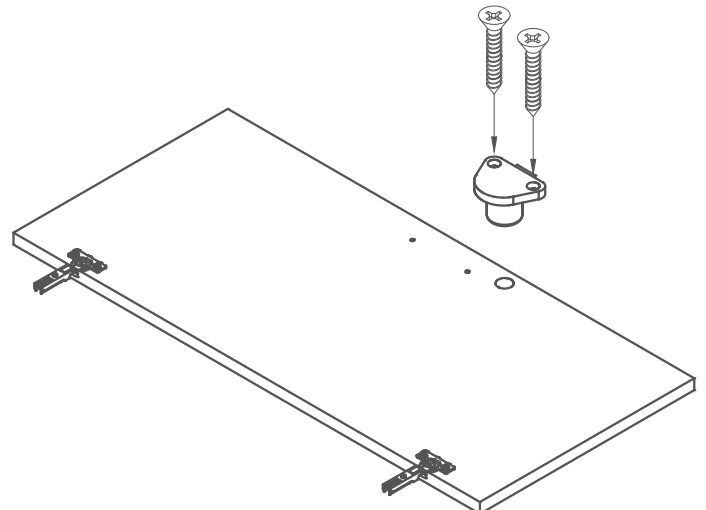
STEP 2

Attach Spiegelstein Bolt to Left Hand Door

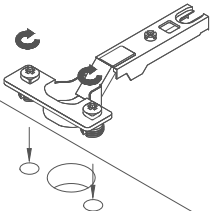


STEP 3

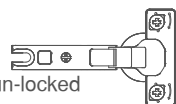
Attach Rabbit Lock to Right Hand Door



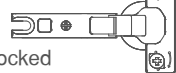
Turn screws through 90 degrees



Screws un-locked

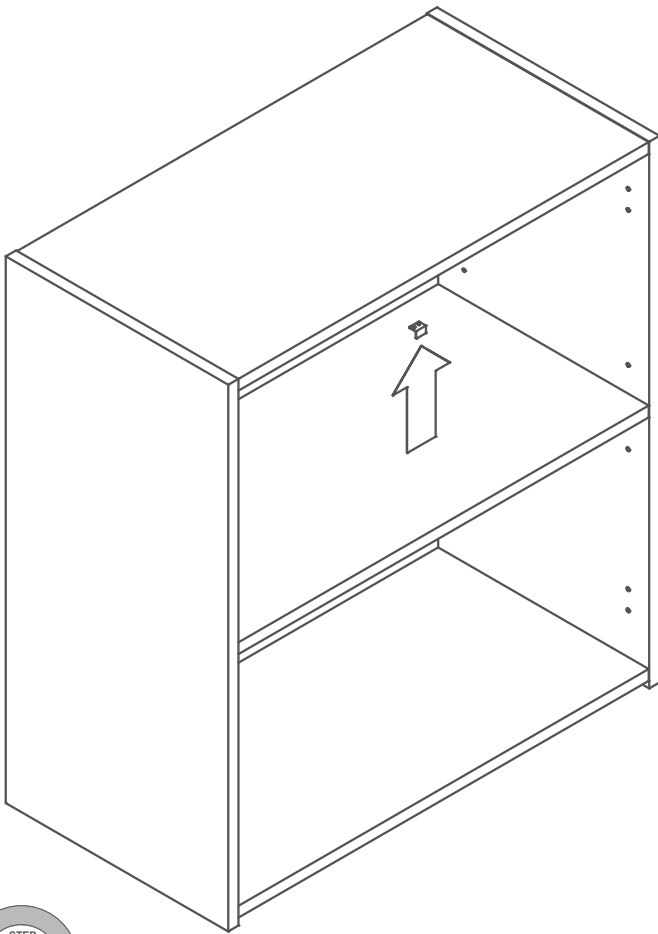


Screws locked

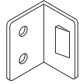



STEP  
4

Attach Spiegelstein Clip to the underside of the Top.

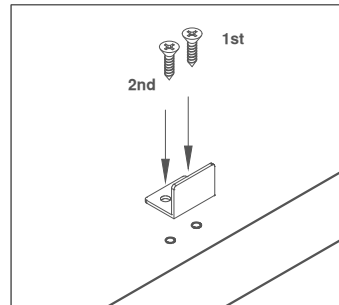


FITTINGS REQUIRED

<b>1</b>	Spiegelstein clip RM-LOK12	
<b>2</b>	Screw 3.5x15 RM-SCR26	

STEP 3

The Spiegelstein clip fits to the underside of the top .

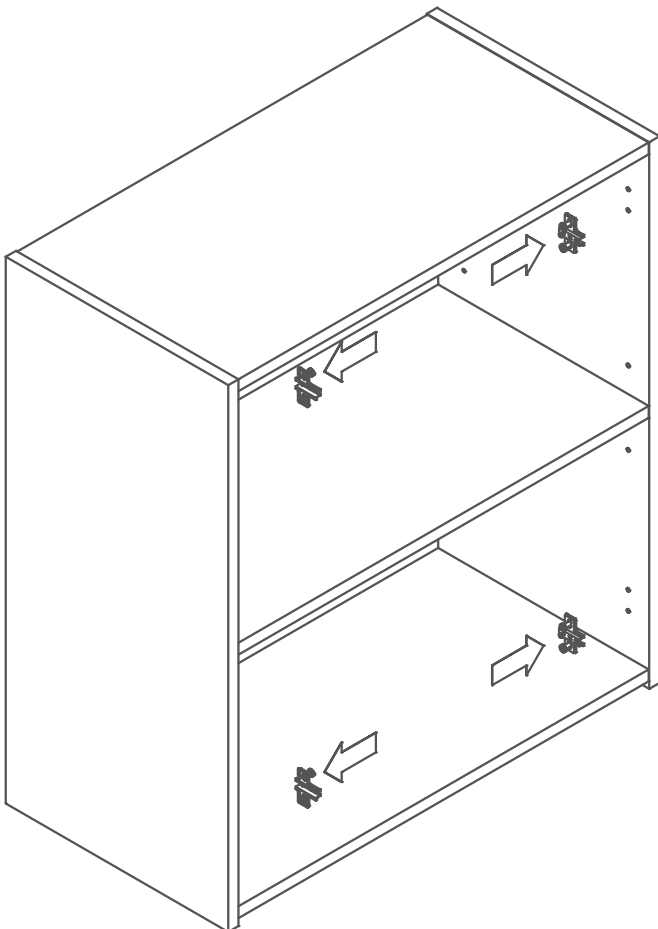


Locate the Spiegelstein clip with 1st screw.

Make sure clip is parallel to the front of the top and secure with the second screw.

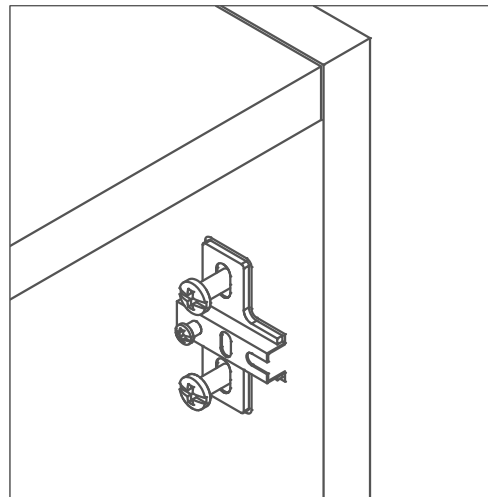
STEP  
5

Attach Speed Fix Plates to both Side Panels



FITTINGS REQUIRED

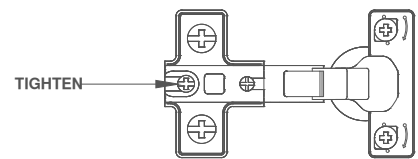
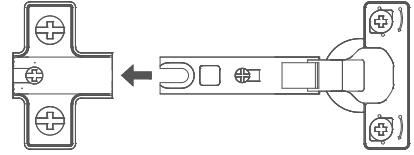
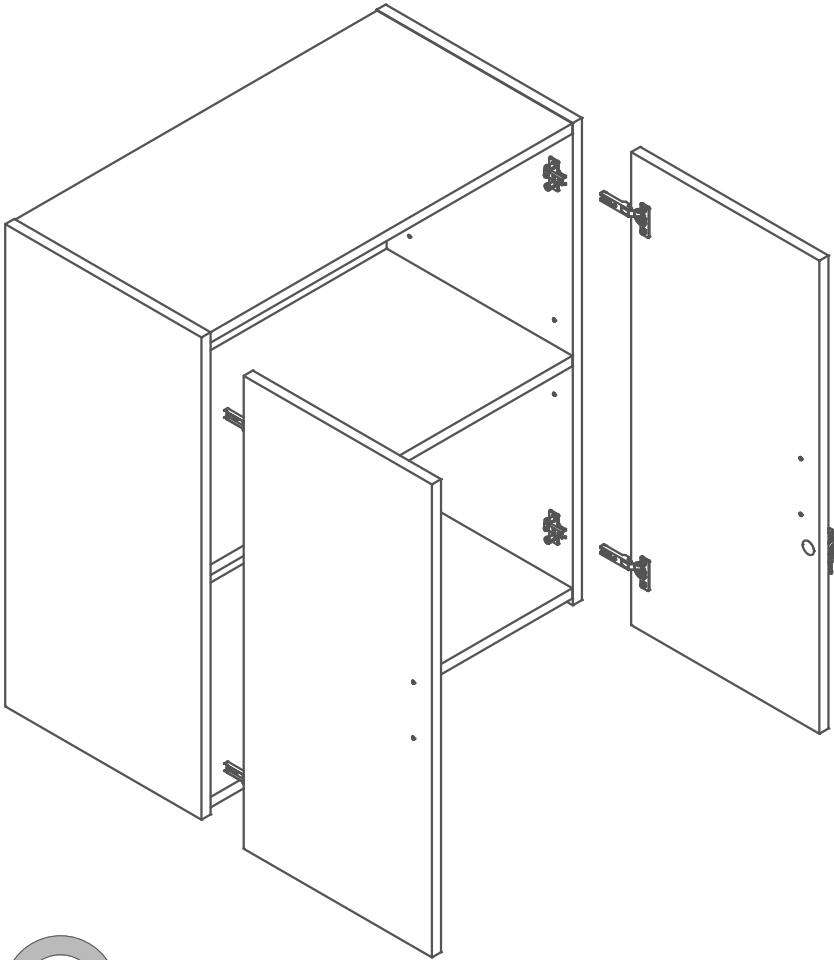
<b>4</b>	Speed Fix Hinge RM-HGE01	
----------	-----------------------------	---



Make sure the hinge is fixed the correct way round

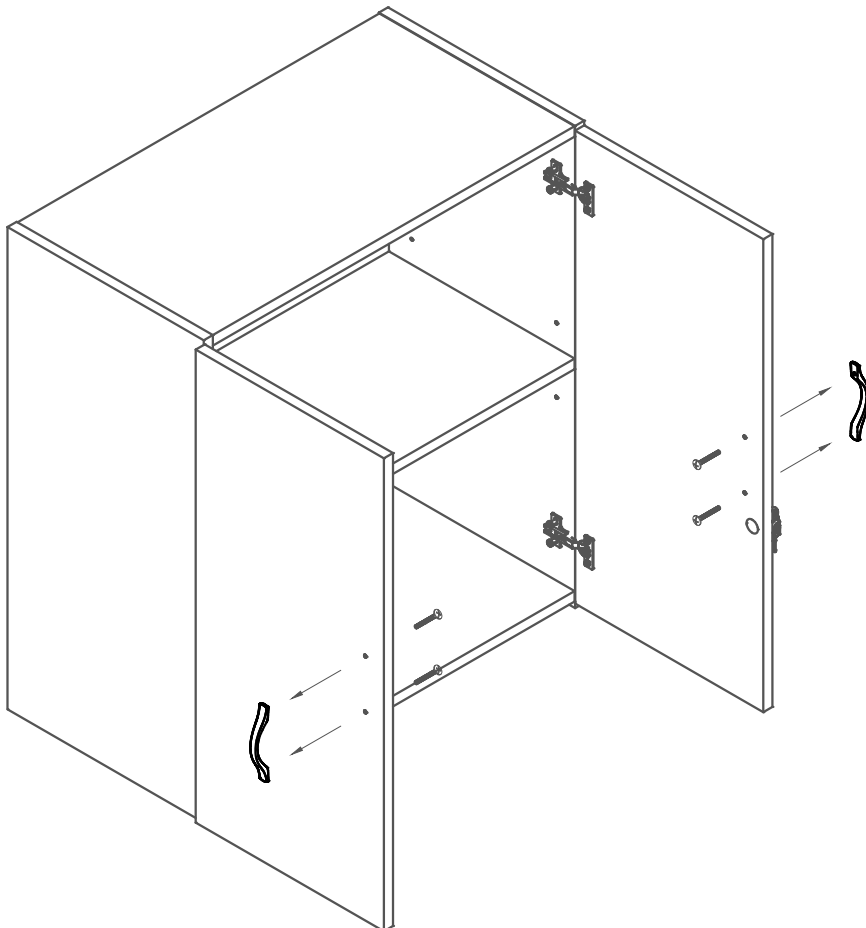
STEP  
6

Attach the doors to your bookcase carcass, tighten hinge as shown below.


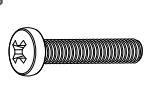


STEP  
7

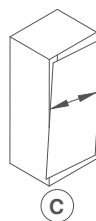
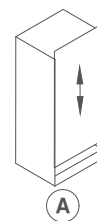
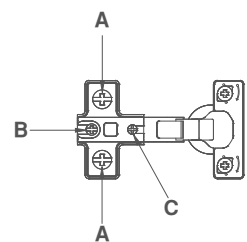
Fix the Handles to the doors as shown.



**FITTINGS REQUIRED**

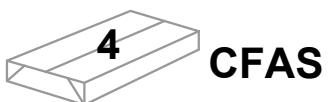
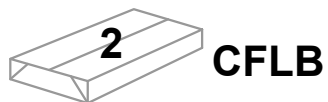
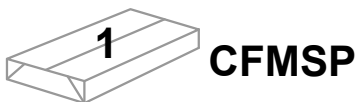
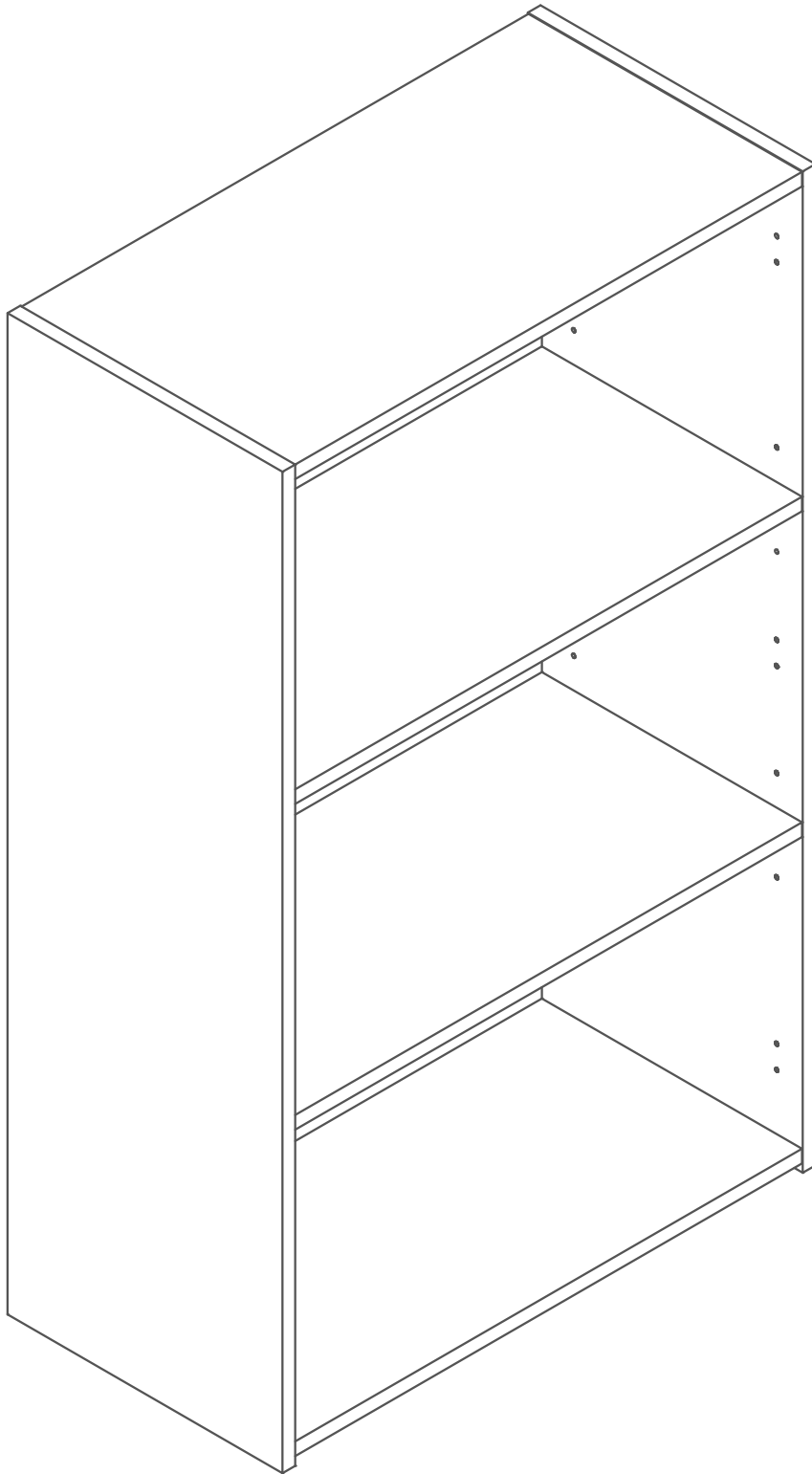
<b>2</b>	96mm ECONOMY HANDLE RM-HDL22 
<b>4</b>	M40 x 22mm Handle Screw RM-SCR78 

If the doors are not correctly aligned, see diagram below to rectify.



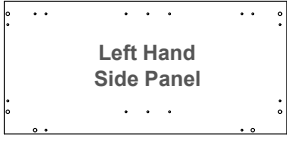


# CFMBC





# Please check that you have all the packages and fittings

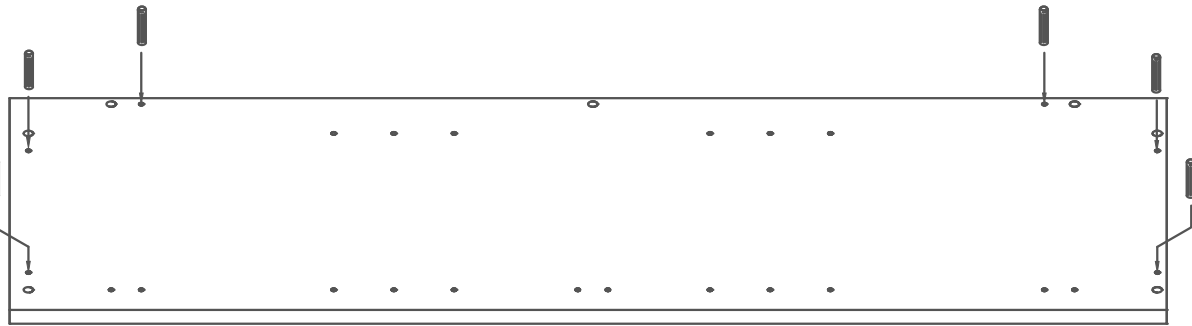
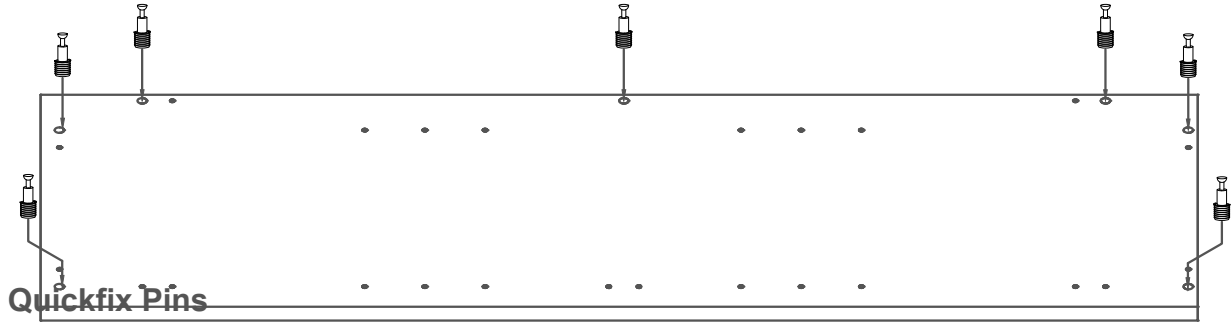


Please Note all fittings are packed in the CFMSP

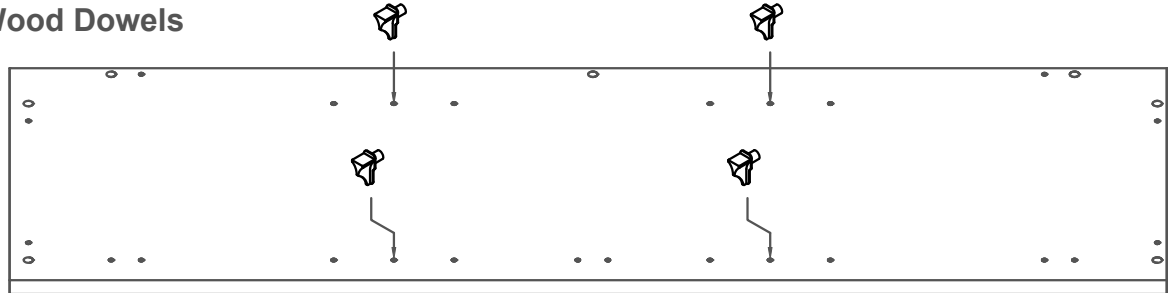
x1		RM-ALK01 - 4mm ALLEN KEY
x18		RM-CAM03 - 15mm MINIFIX CAM
x18		RM-BLT06 - 24mm QUICKFIX PIN
x8		RM-PAR07 - TRANSPARENT SHLF CLIP
x12		RM-WOW01 - 5mm WOOD DOWEL



## Insert Dowels, Woodfix Pins and Shelf Clips into both side panels as shown



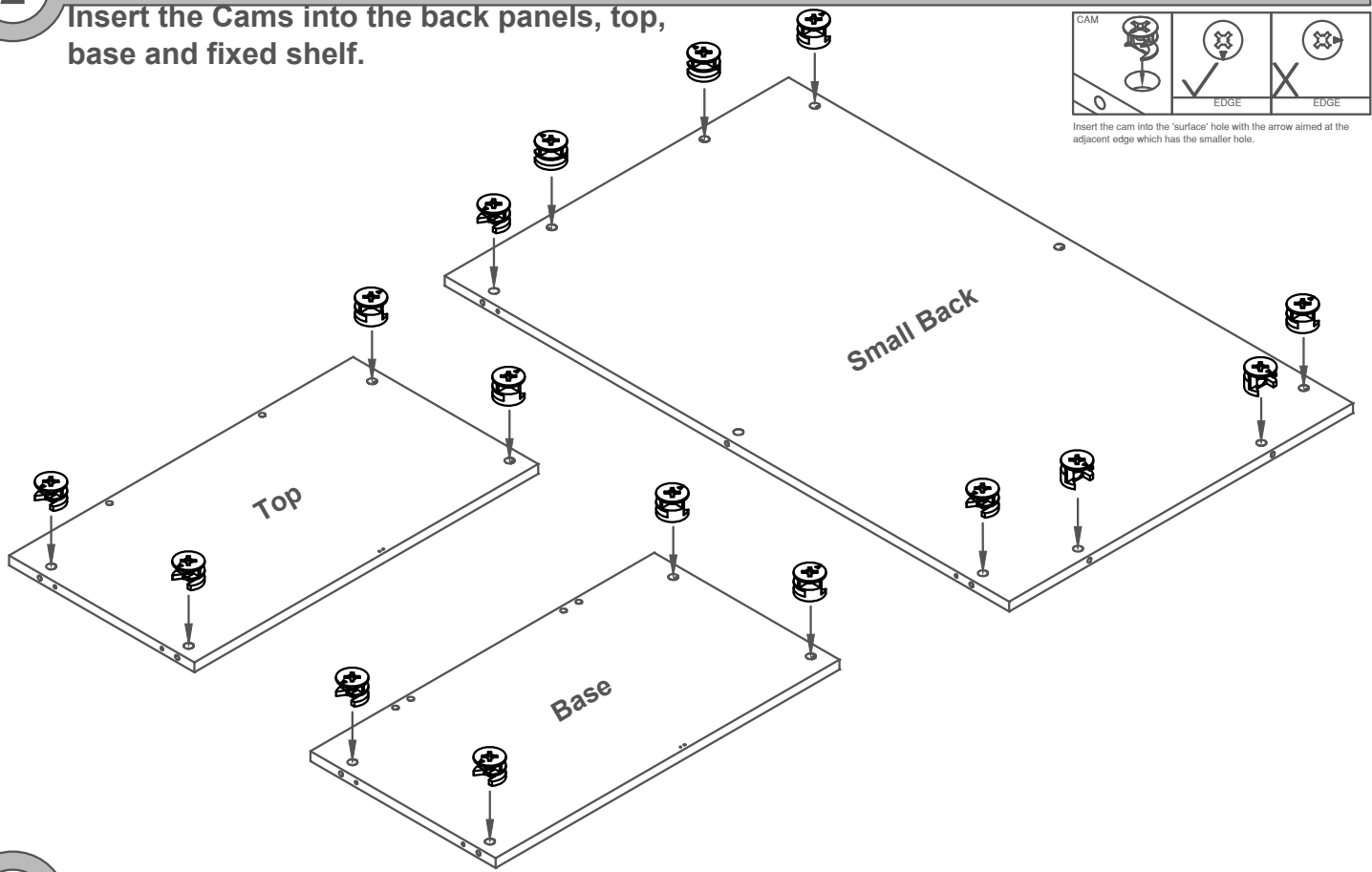
Wood Dowels



Right Hand Side Panel Shown  
Repeat for Left Hand Side Panel

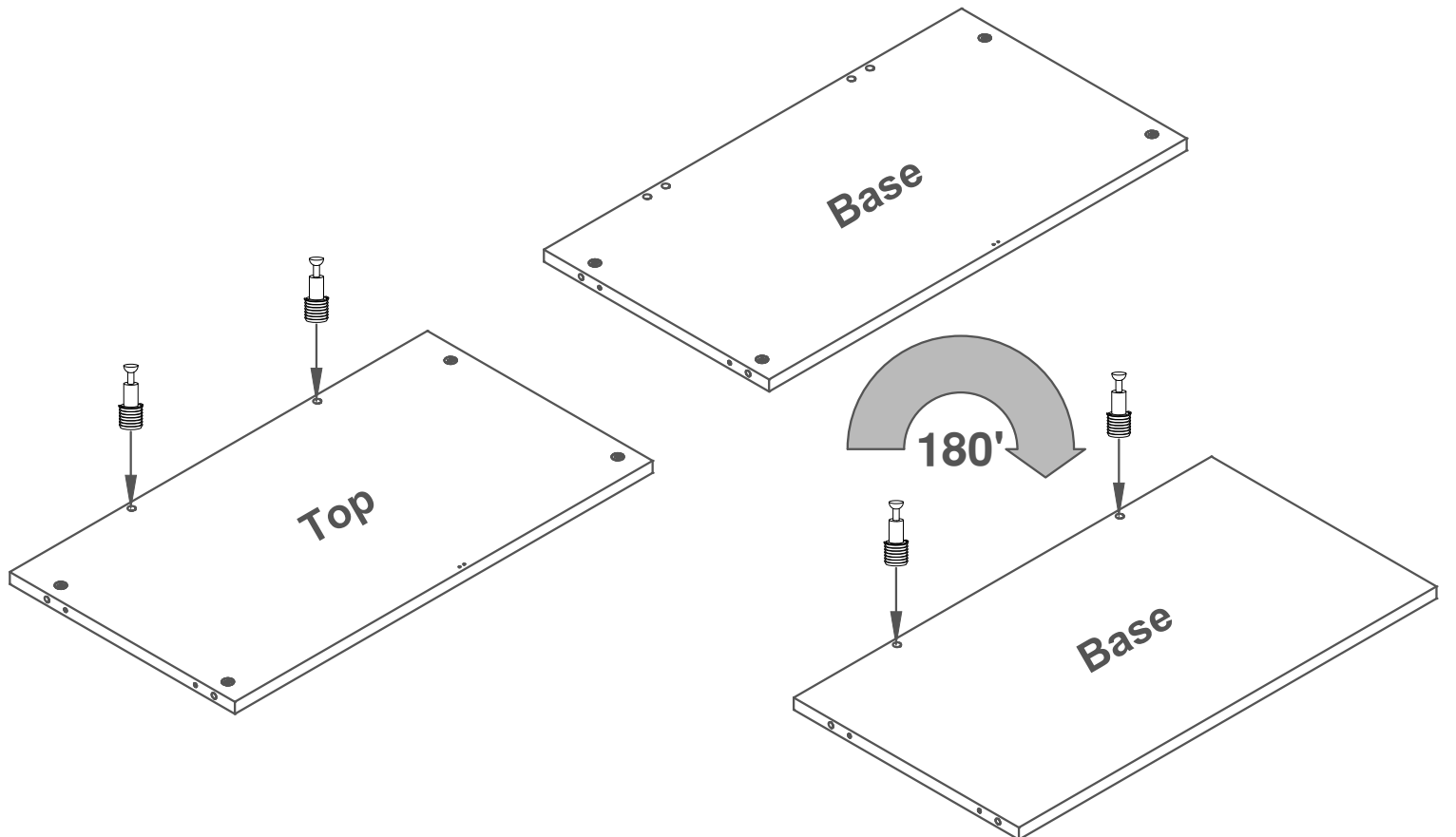
STEP  
2

Insert the Cams into the back panels, top, base and fixed shelf.

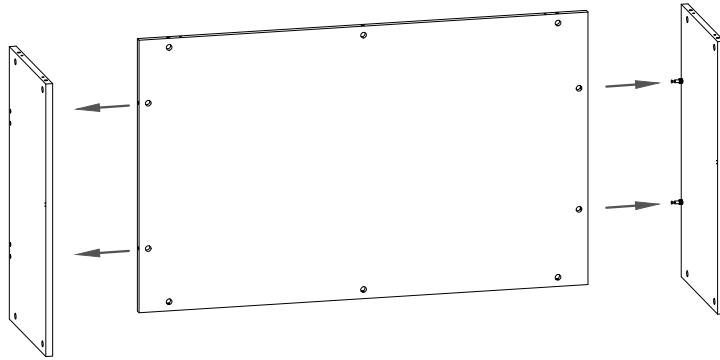


STEP  
3

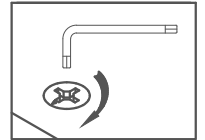
Insert the Quickfix Pins into the top and base. The base will need to be turned over to insert pins in the opposite face.



STEP  
4

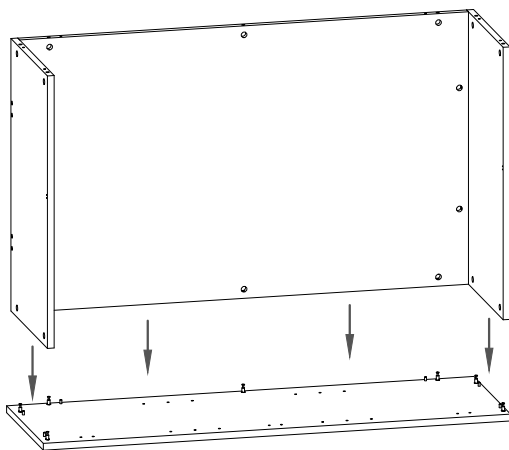


**ATTACH THE TOP AND BASE TO THE BACK PANEL.  
PLEASE ENSURE THAT ALL CAM FITTINGS ARE TIGHTENED**



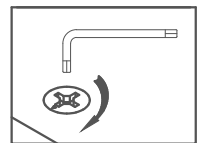
Make sure you turn the cams as far as they will easily go - more than half a turn.

STEP  
5



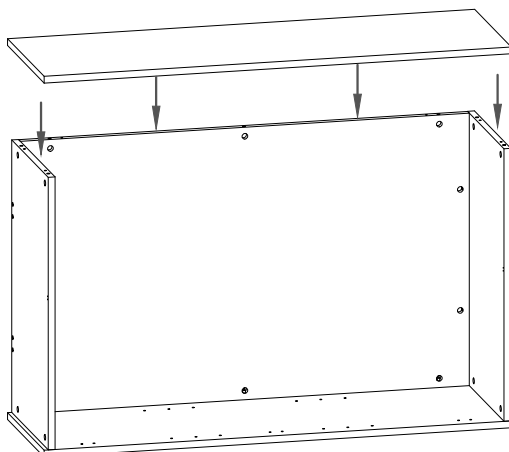
**ATTACH THE PART ASSEMBLED CARCASS TO THE RH SIDE PANEL.**

**PLEASE ENSURE THAT ALL CAM FITTINGS ARE TIGHTENED.**



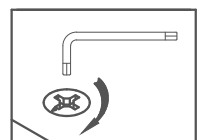
Make sure you turn the cams as far as they will easily go - more than half a turn.

STEP  
6



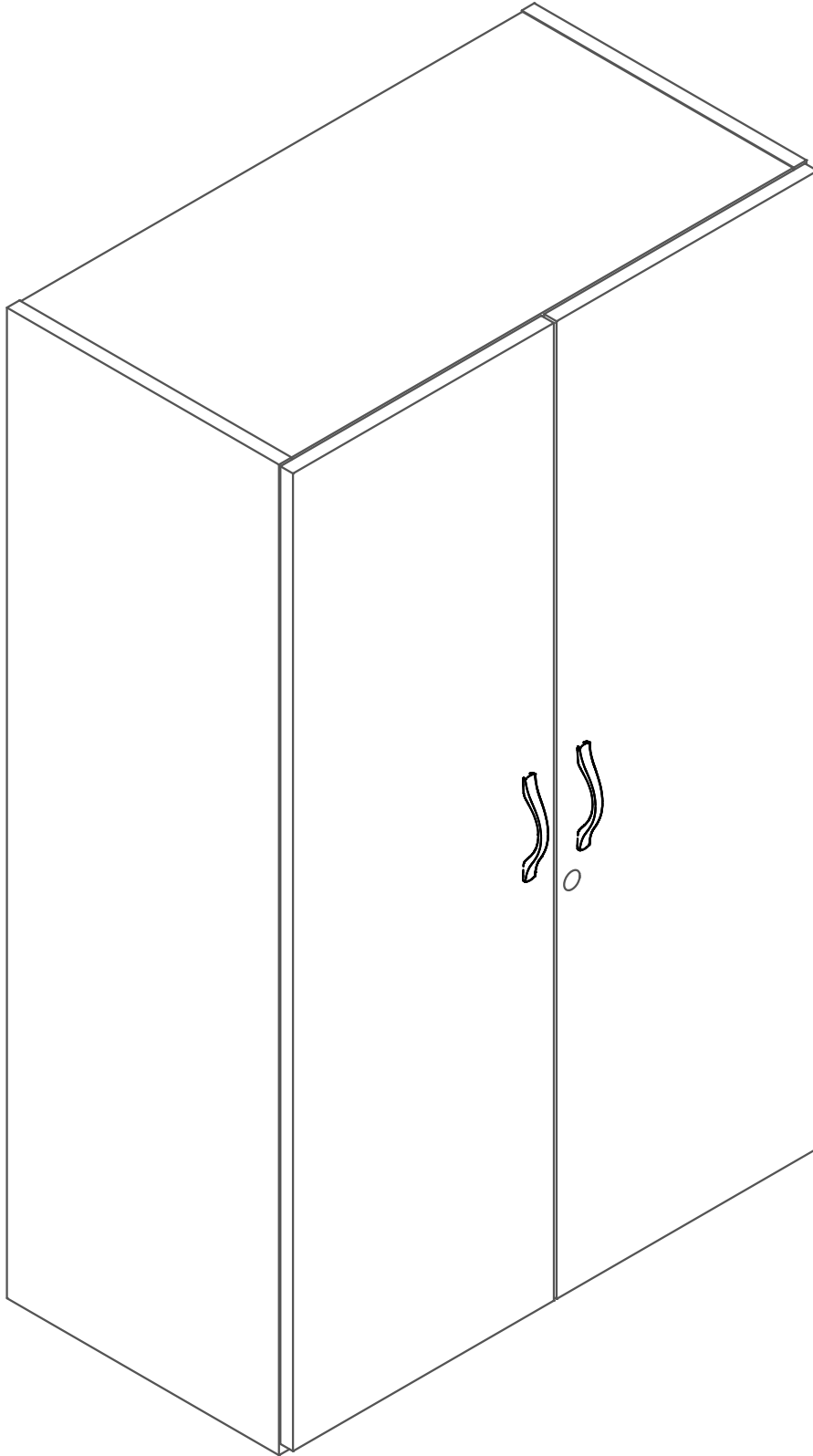
**FINALLY ATTACH THE PART ASSEMBLED CARCASS TO THE LH SIDE PANEL.**

**PLEASE ENSURE THAT ALL CAM FITTINGS ARE TIGHTENED.**



Make sure you turn the cams as far as they will easily go - more than half a turn.

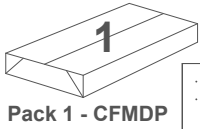
# CFMDP



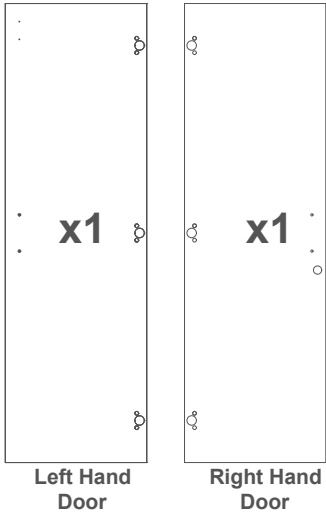
**CFMDP**



# Please check that you have all the packages and fittings


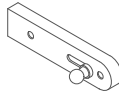
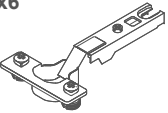

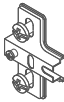
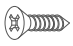
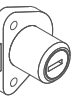

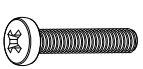


## Panels



## Fittings

Please Note all fittings are packed in the CFMDP

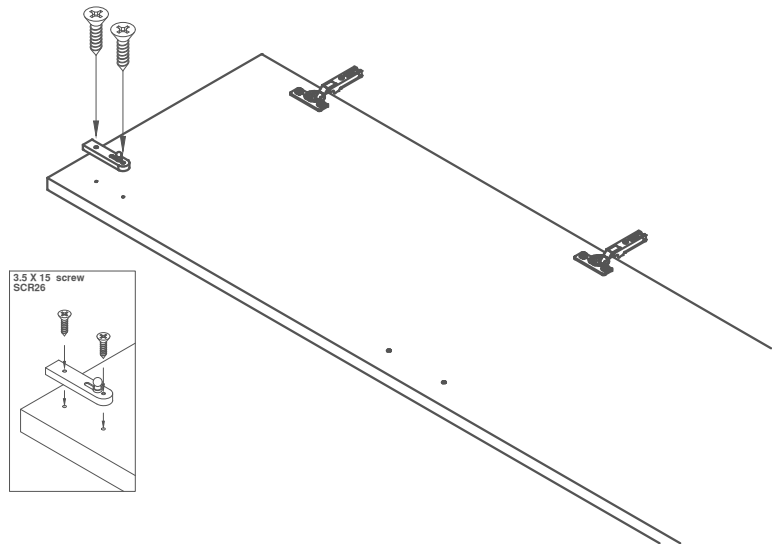
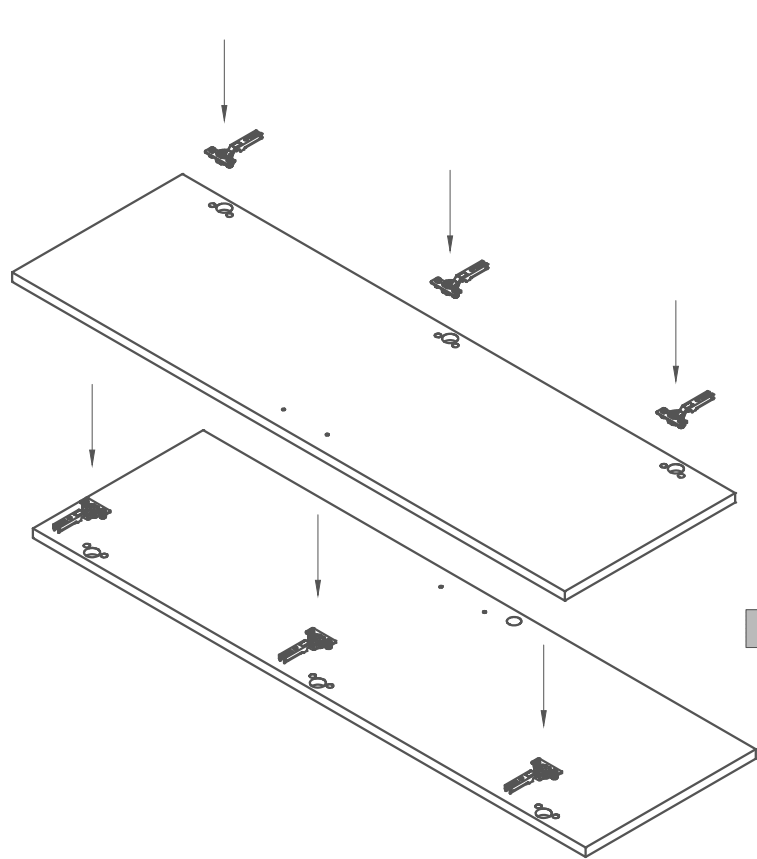
x2	 RM-HDL09 96mm HANDLE	x1	 RM-LOK13 SPEGELSTEIN BOLT
x6	 RM-HGE01 SPEED FIX HINGE	x1	 RM-LOK12 SPEGELSTEIN CLIP
x6	 RM-HGP01 SPEED FIX PLATE	x4	 RM-SCR26 3.5 x 15 WOOD SCREW
x1	 RM-LOK11 RABBIT LOCK	x2	 RM-SCR37 4.0 x 20 WOOD SCREW
		x4	 RM-SCR25 M4 x 22 HANDLE SCREW

STEP 1

Insert Speed Fix Hinges into both doors.

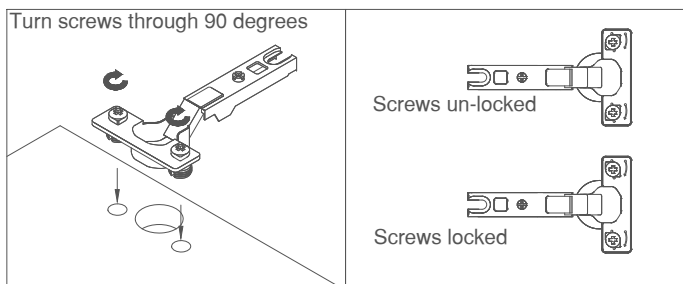
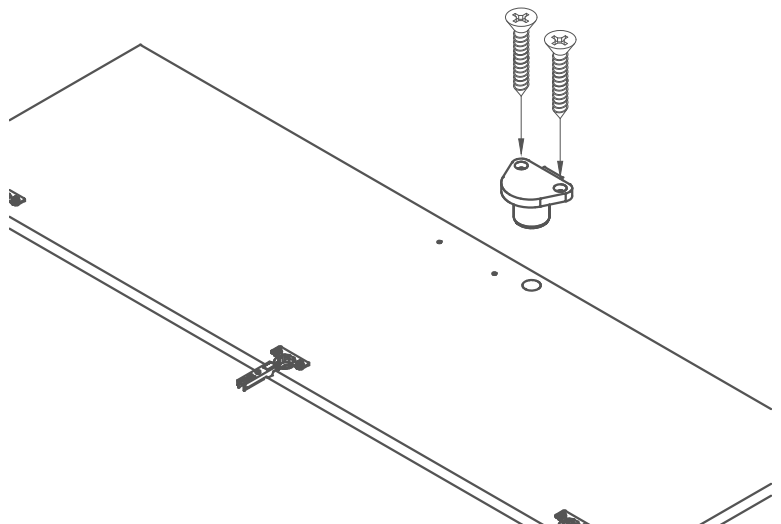
STEP 2

Attach Spiegelstein Bolt to Left Hand Door



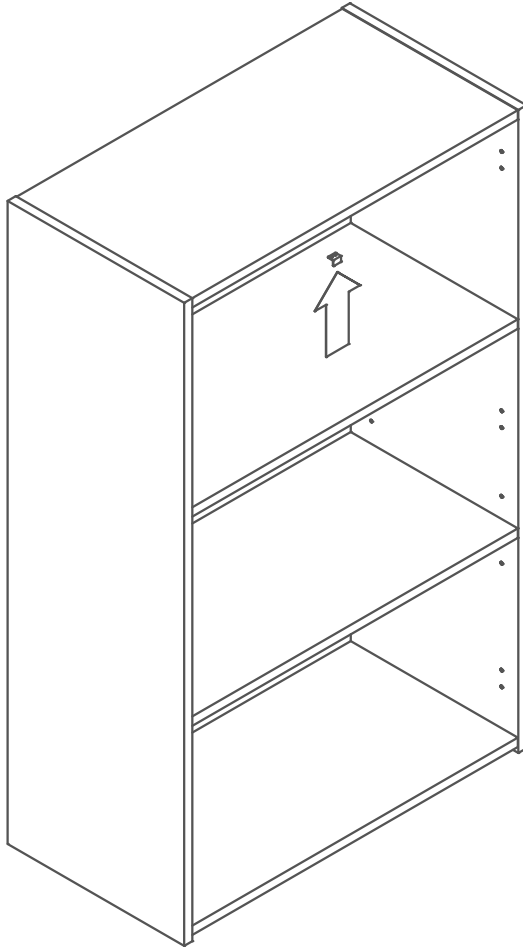
STEP 3

Attach Rabbit Lock to Right Hand Door

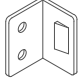



STEP  
4

## Attach Spiegelstein Clip to the underside of the Top.

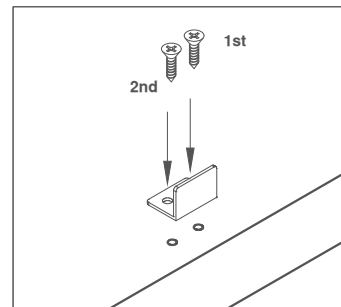


### FITTINGS REQUIRED

<b>1</b>	Spiegelstein clip RM-LOK12	
<b>2</b>	Screw 3.5x15 RM-SCR26	

### STEP 3

The Spiegelstein clip fits to the underside of the top .

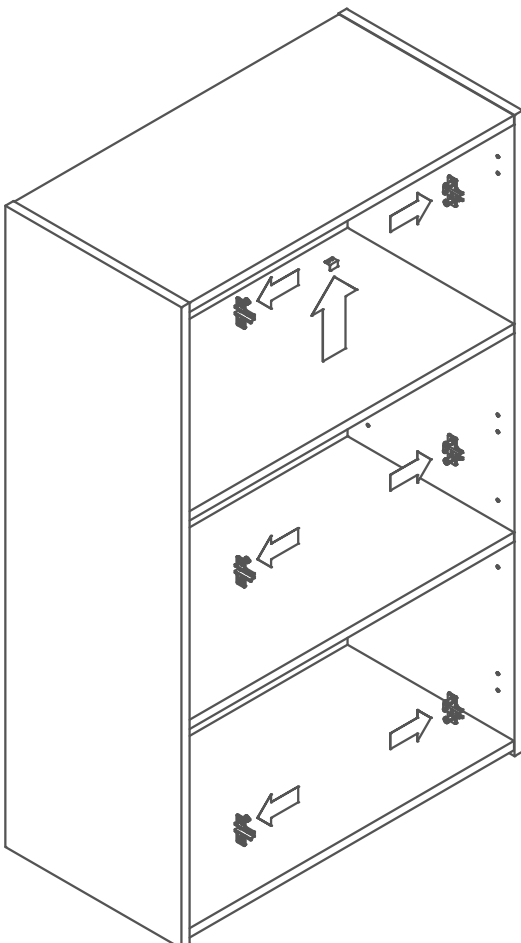


Locate the Spiegelstein clip with 1st screw.

Make sure clip is parallel to the front of the top and secure with the second screw.

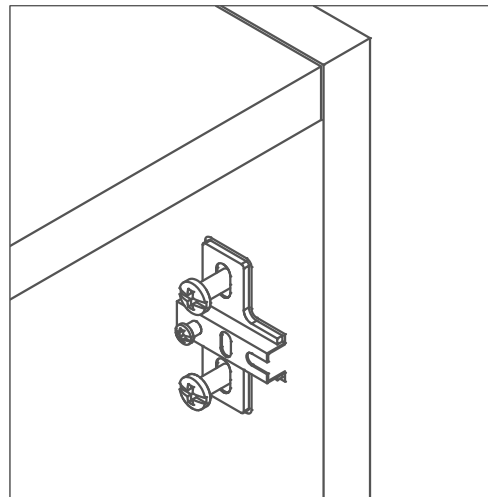
STEP  
5

## Attach Speed Fix Plates to both Side Panels



### FITTINGS REQUIRED

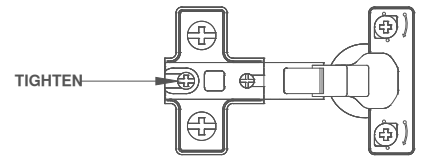
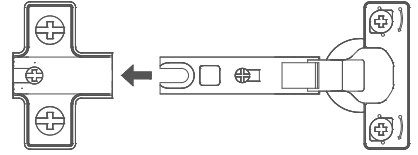
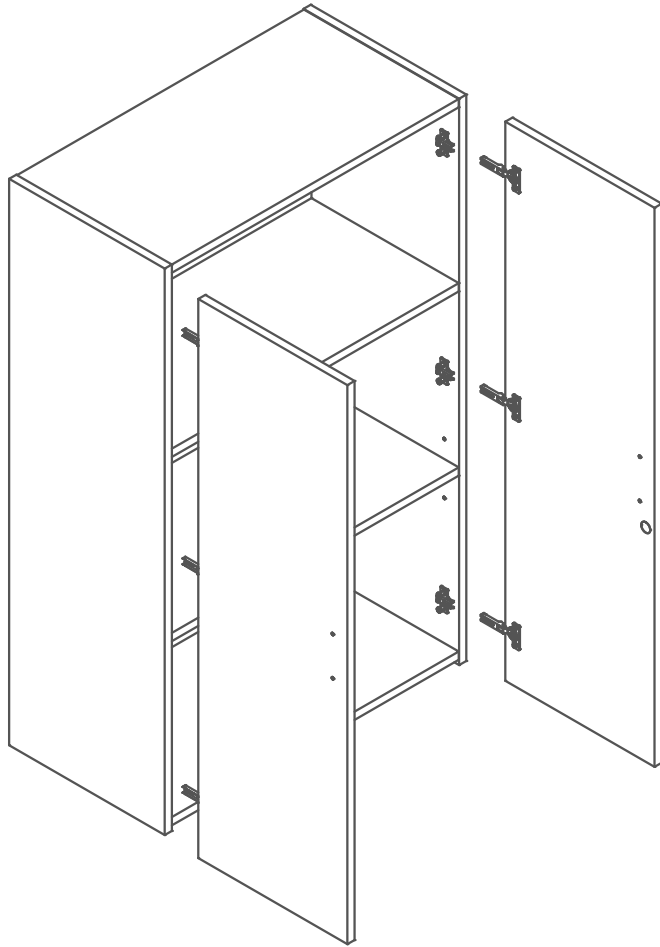
<b>6</b>	Speed Fix Hinge RM-HGE01	
----------	-----------------------------	---



Make sure the hinge is fixed the correct way round

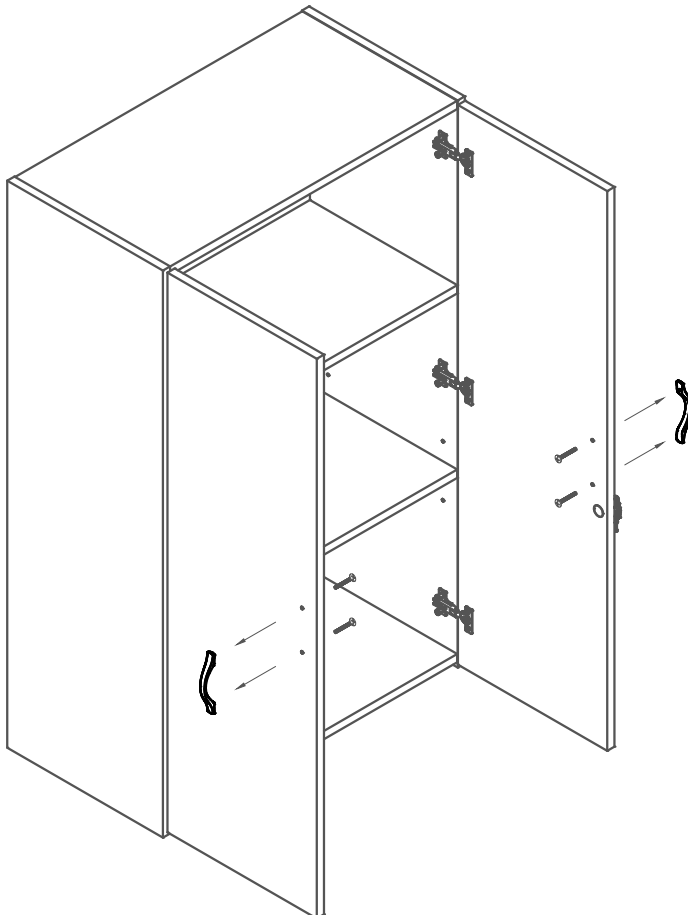
STEP  
6

Attach the doors to your bookcase carcass, tighten hinge as shown below.


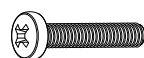


STEP  
7

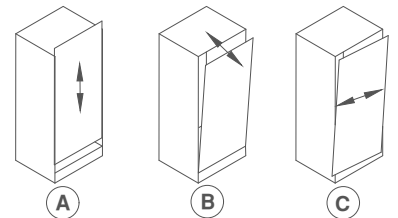
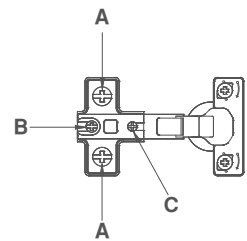
Fix the Handles to the doors as shown.



**FITTINGS REQUIRED**

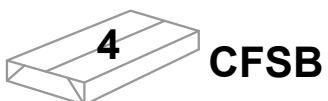
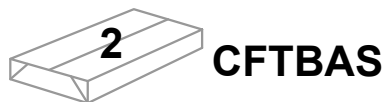
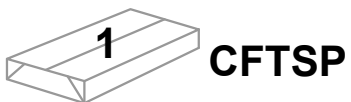
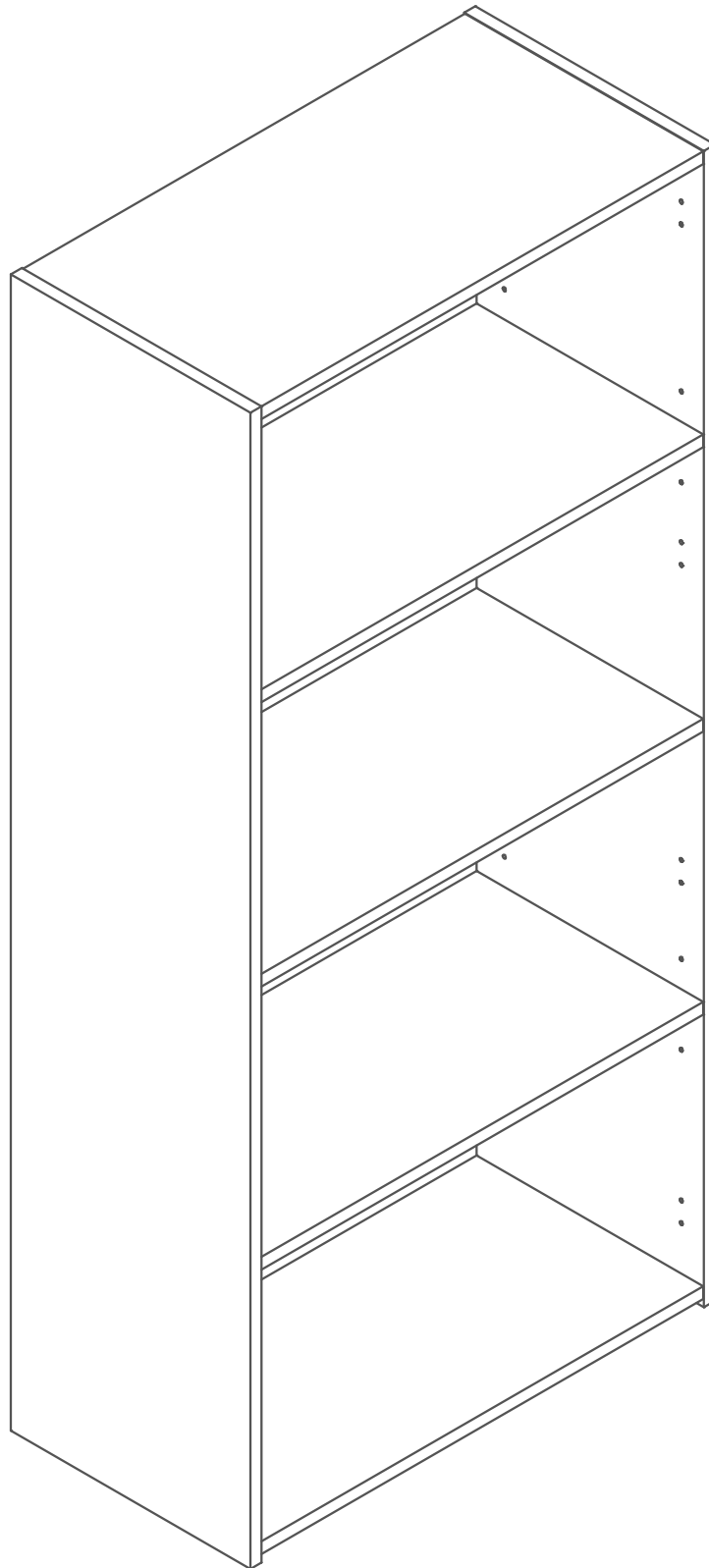
<b>2</b>	96mm HANDLE RM-HDL09 
<b>4</b>	M4 x 22mm HANDLE SCREW RM-SCR25 

If the doors are not correctly aligned, see diagram below to rectify.



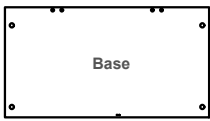
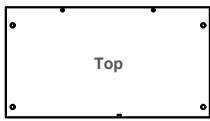
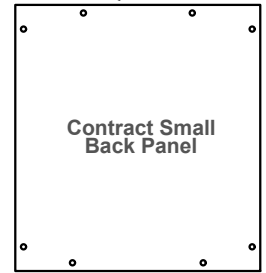
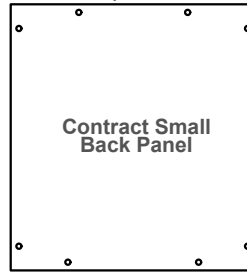
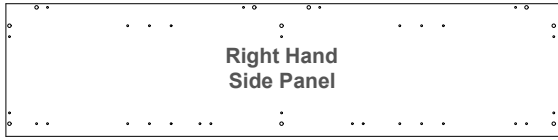
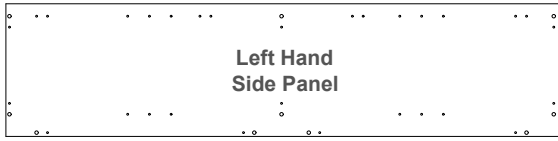


# CFTBC



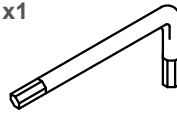


# Please check that you have all the packages and fittings



Please Note all fittings are packed in the CFHSP

x1



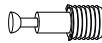
RM-ALK01 - 4mm ALLEN KEY

x28



RM-CAM03 - 15mm MINIFIX CAM

x28



RM-BLT06 - 24mm QUICKFIX PIN

x8



RM-PAR07 - TRANSPARENT SHELF CLIP

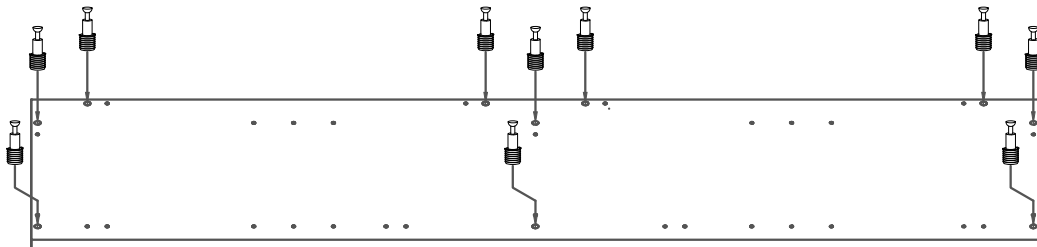
x20



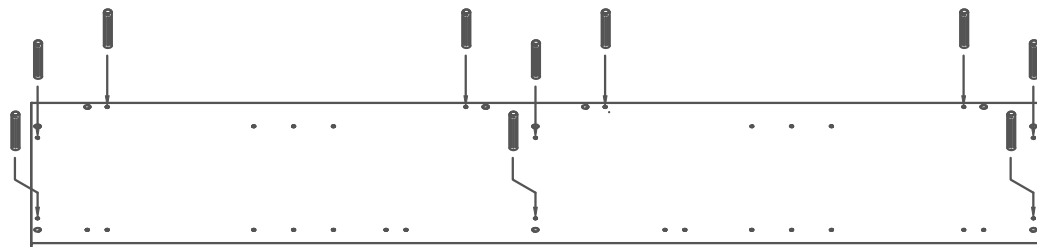
RM-WOW01 - 5mm WOOD DOWEL

STEP 1

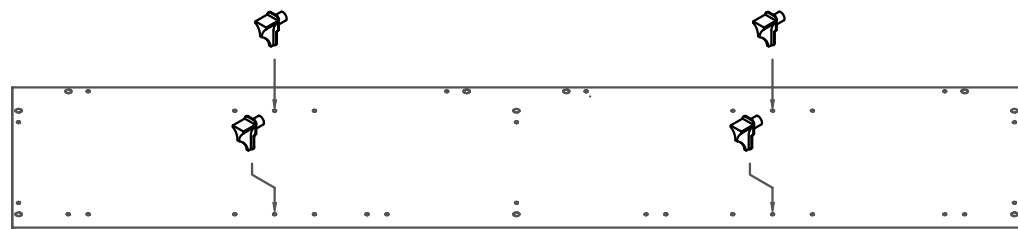
## Insert Dowels, Woodfix Pins and Shelf Clips into both side panels as shown



Quickfix Pins



Wood Dowels

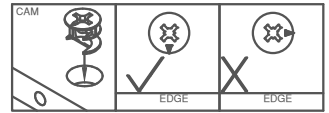


Shelf Clips

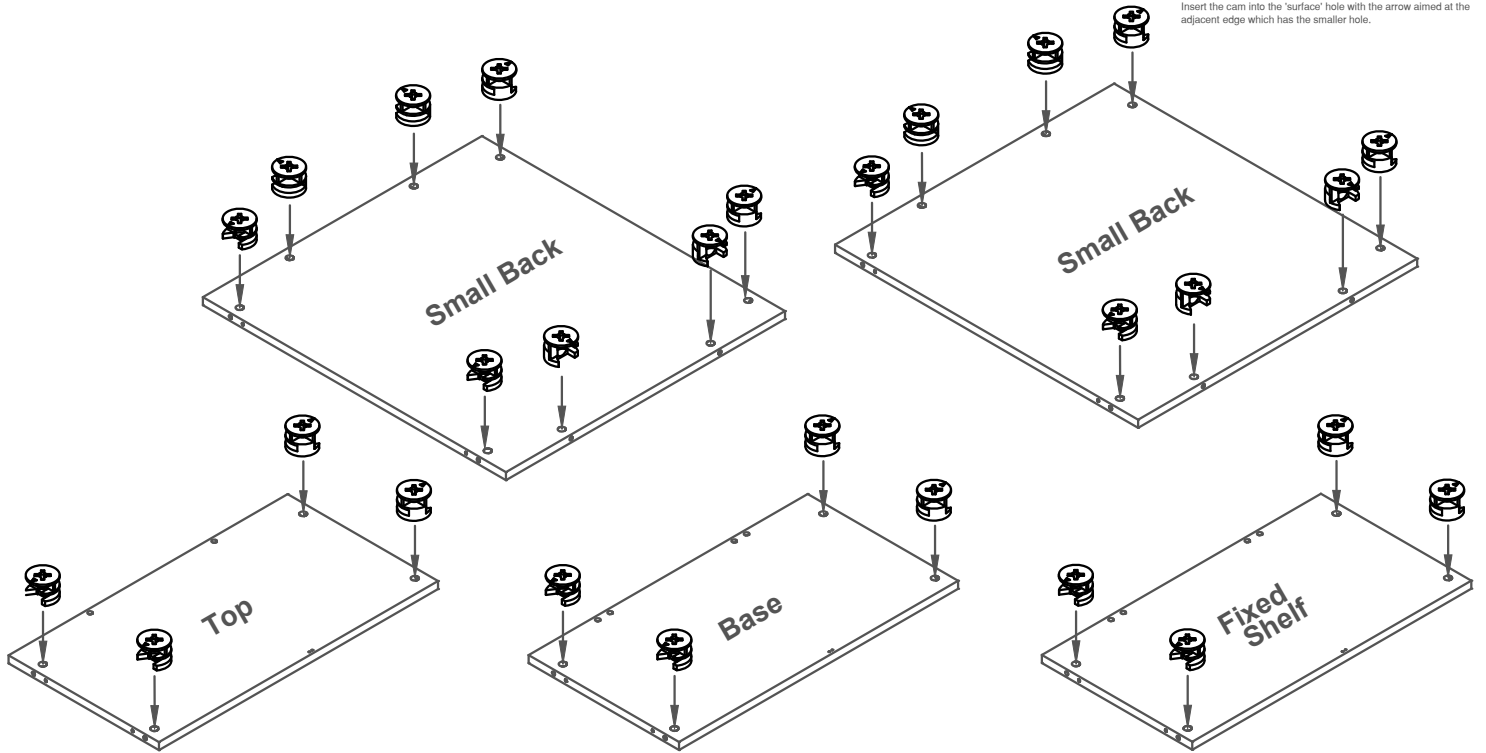
Right Hand Side Panel Shown  
Repeat for Left Hand Side Panel

STEP  
2

Insert the Cams into the back panels, top, base and fixed shelf.



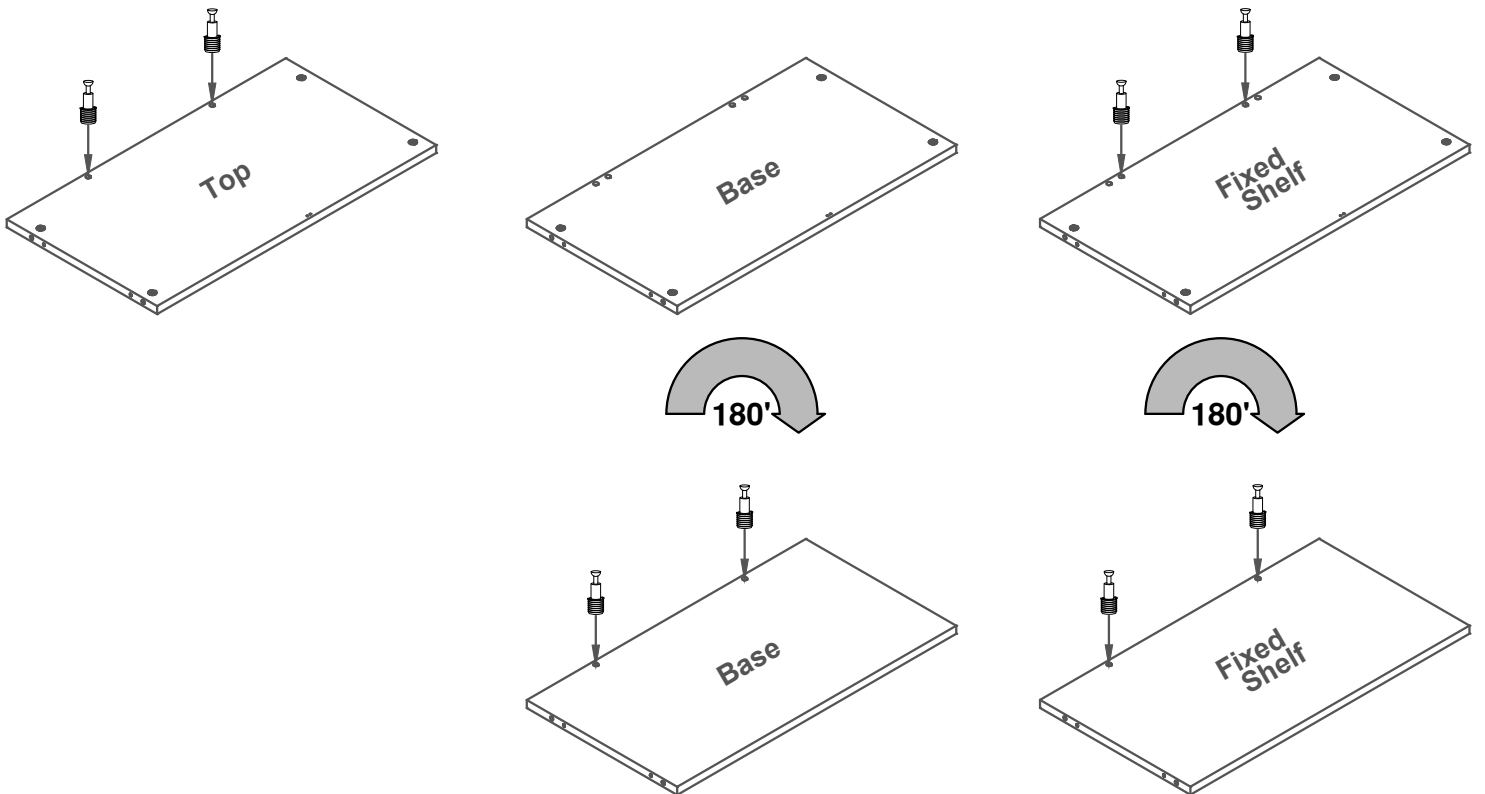
Insert the cam into the 'surface' hole with the arrow aimed at the adjacent edge which has the smaller hole.



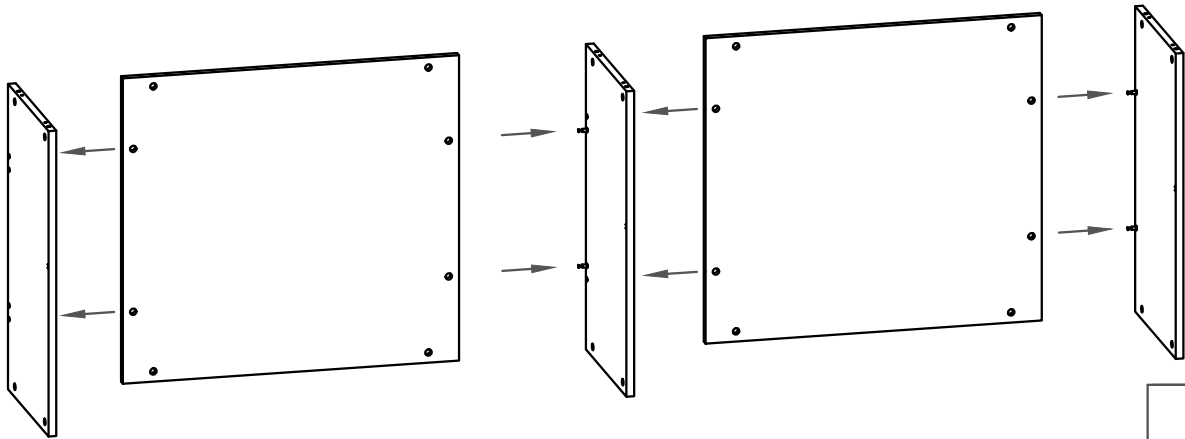
STEP  
3

Insert the Quickfix Pins into the top, base and fixed shelf.

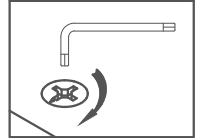
The base and fixed shelf need to be turned over to insert pins in the opposite face.



STEP  
4

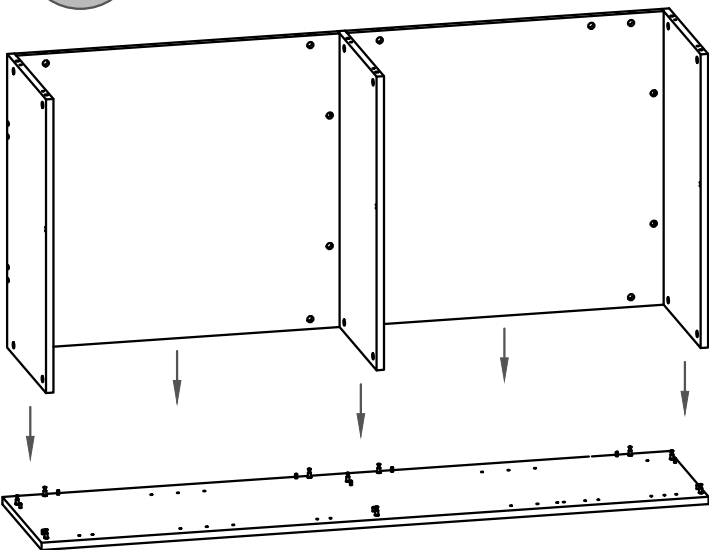


**ATTACH THE TOP, BASE AND FIXED SHELF TO THE BACK PANELS.  
PLEASE ENSURE THAT ALL CAM FITTINGS ARE TIGHTENED**



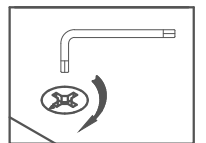
Make sure you turn the cams as far as they will easily go - more than half a turn.

STEP  
5



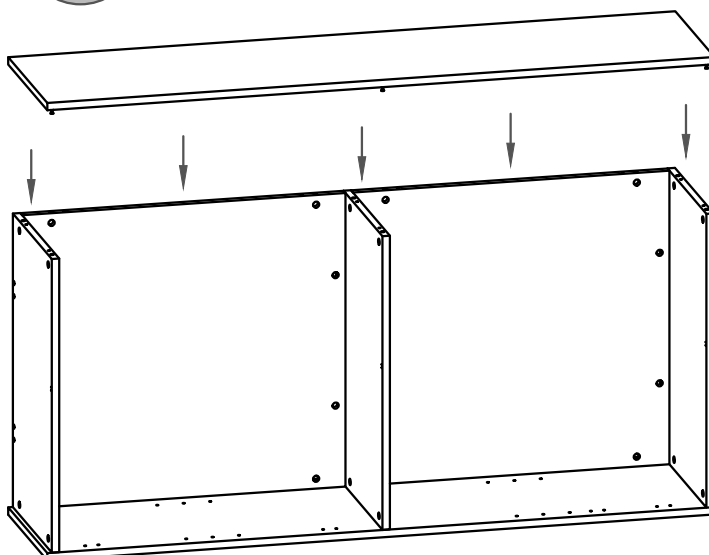
**ATTACH THE PART ASSEMBLED CARCASS TO THE RH SIDE PANEL.**

**PLEASE ENSURE THAT ALL CAM FITTINGS ARE TIGHTENED.**



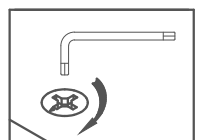
Make sure you turn the cams as far as they will easily go - more than half a turn.

STEP  
6



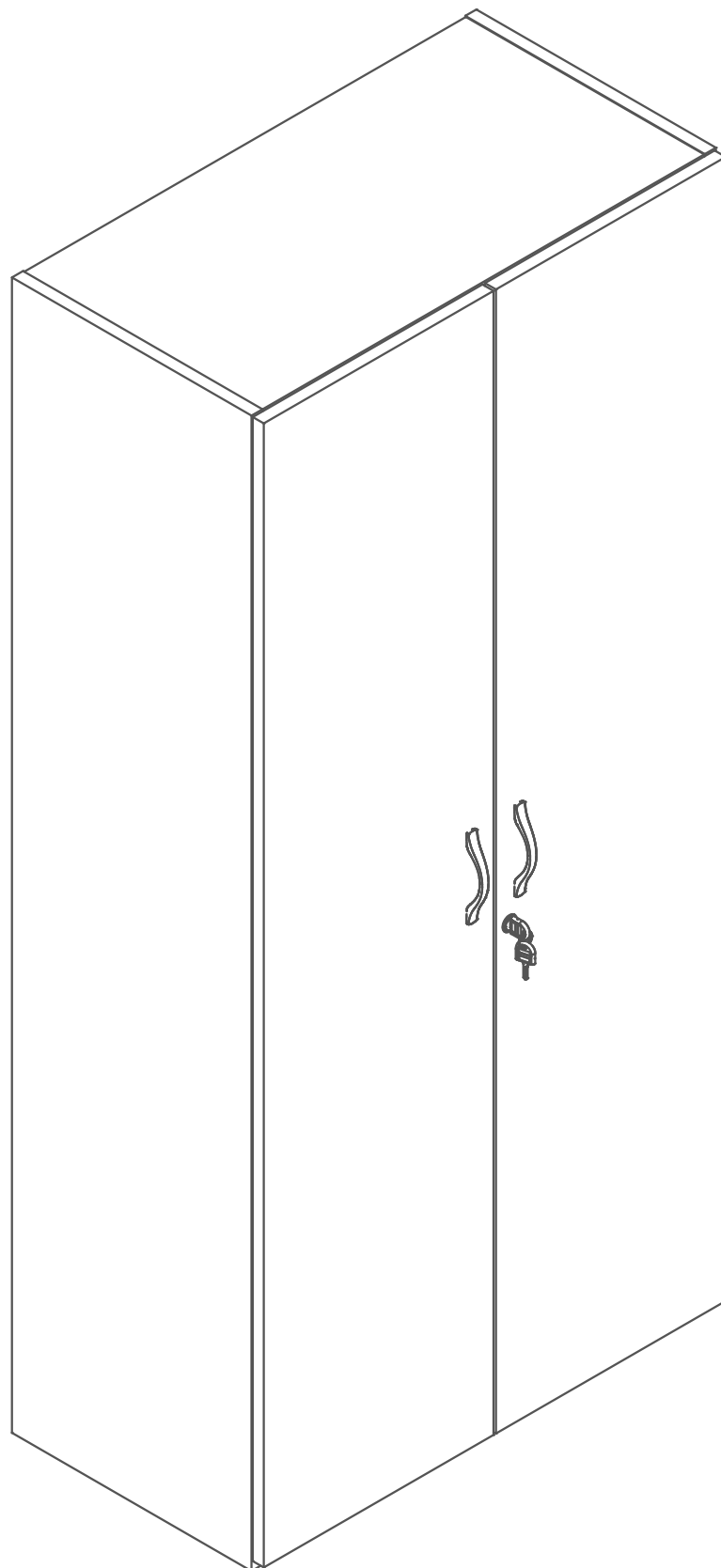
**FINALLY ATTACH THE PART ASSEMBLED CARCASS TO THE LH SIDE PANEL.**

**PLEASE ENSURE THAT ALL CAM FITTINGS ARE TIGHTENED.**



Make sure you turn the cams as far as they will easily go - more than half a turn.

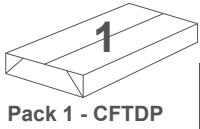
# CFTDP



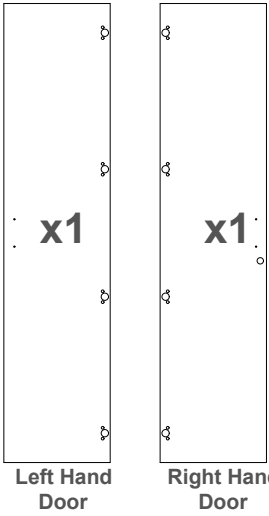
**CFTDP**



# Please check that you have all the packages and fittings


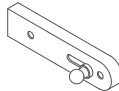
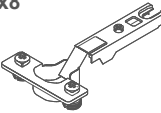


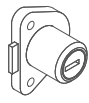
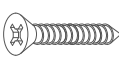



Panels



## Fittings

Please Note all fittings are packed in the CFMDP

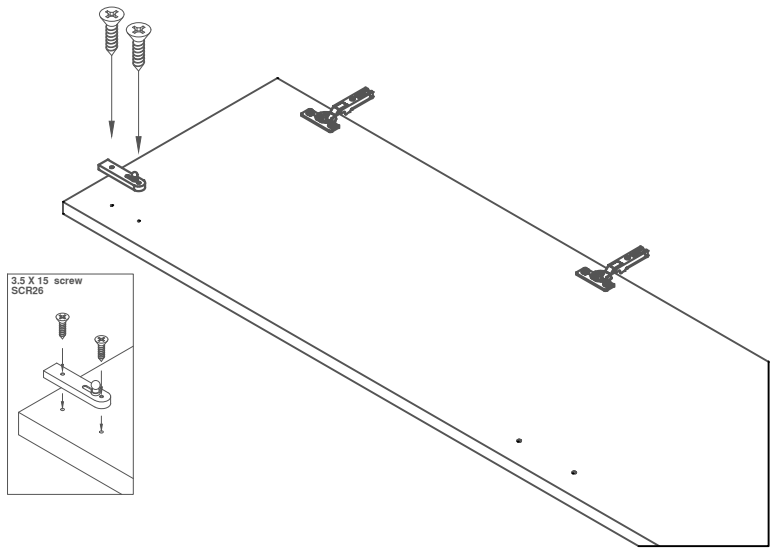
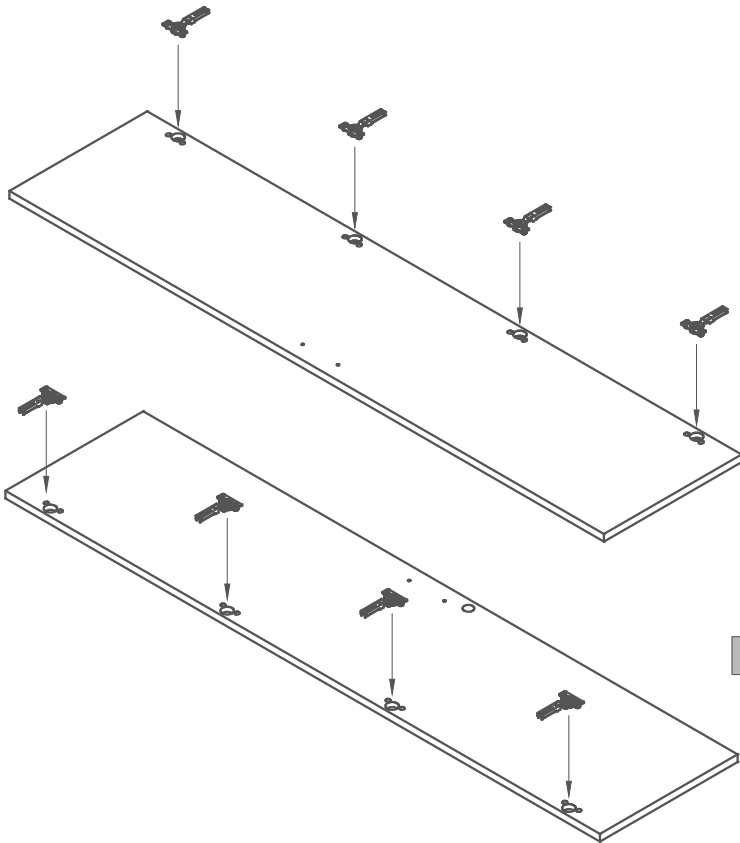
x2	 RM-HDL09 96mm HANDLE	x1	 RM-LOK13 SPEGELSTEIN BOLT
x8	 RM-HGE01 SPEED FIX HINGE	x1	 RM-LOK12 SPEGELSTEIN CLIP
x8	 RM-HGP01 SPEED FIX PLATE	x4	 RM-SCR26 3.5 x 15 WOOD SCREW
x1	 RM-LOK11 RABBIT LOCK	x2	 RM-SCR37 4.0 x 20 WOOD SCREW
		x4	 RM-SCR25 M4 x 22 HANDLE SCREW

STEP 1

Insert Speed Fix Hinges into both doors.

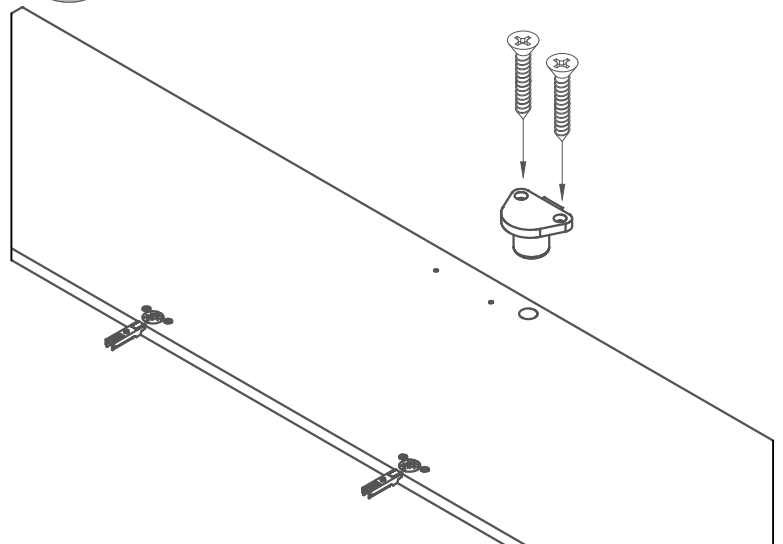
STEP 2

Attach Spiegelstein Bolt to Left Hand Door

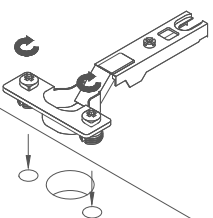


STEP 3

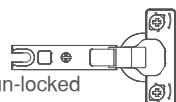
Attach Rabbit Lock to Right Hand Door



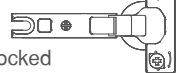
Turn screws through 90 degrees



Screws un-locked

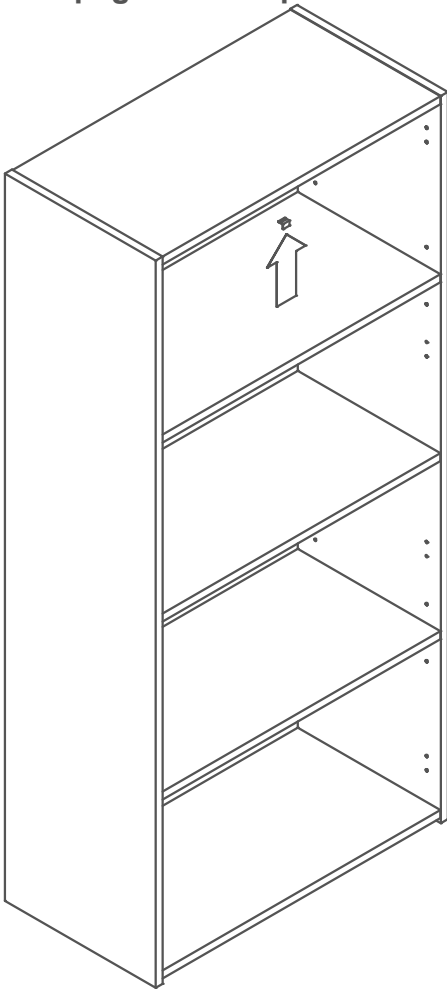


Screws locked

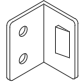



STEP  
4

**Attach Spiegelstein Clip to the underside of the Top.**

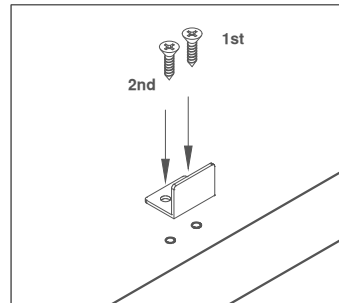


**FITTINGS REQUIRED**

<b>1</b>	Spiegelstein clip RM-LOK12	
<b>2</b>	Screw 3.5x15 RM-SCR26	

**STEP 3**

The Spiegelstein clip fits to the underside of the top .

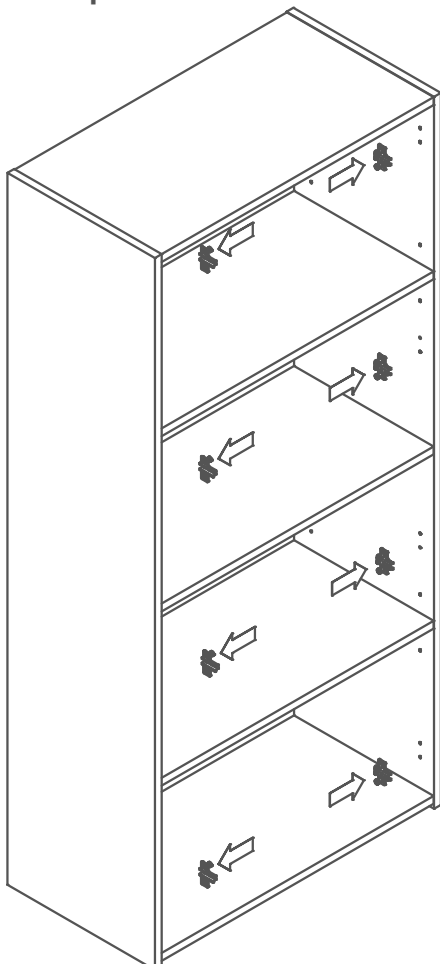


Locate the Spiegelstein clip with 1st screw.

Make sure clip is parallel to the front of the top and secure with the second screw.

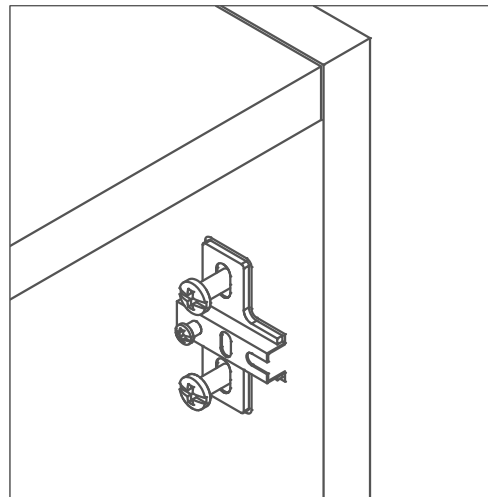
STEP  
5

**Attach Speed Fix Plates to both Side Panels**



**FITTINGS REQUIRED**

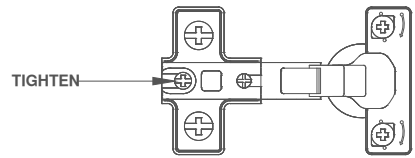
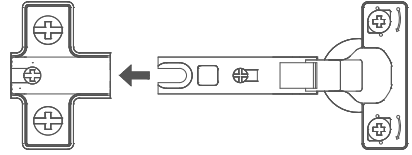
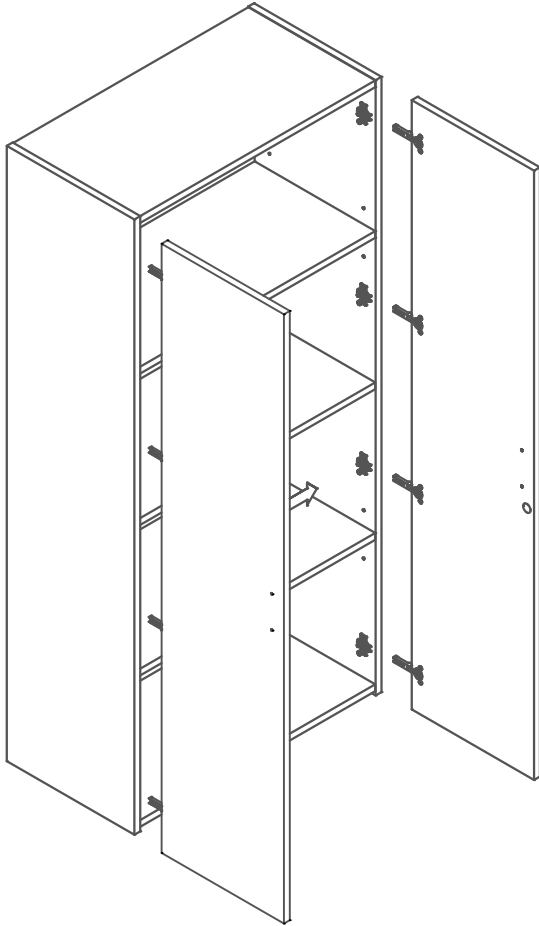
<b>8</b>	Speed Fix Hinge RM-HGE01	
----------	-----------------------------	---



Make sure the hinge is fixed the correct way round

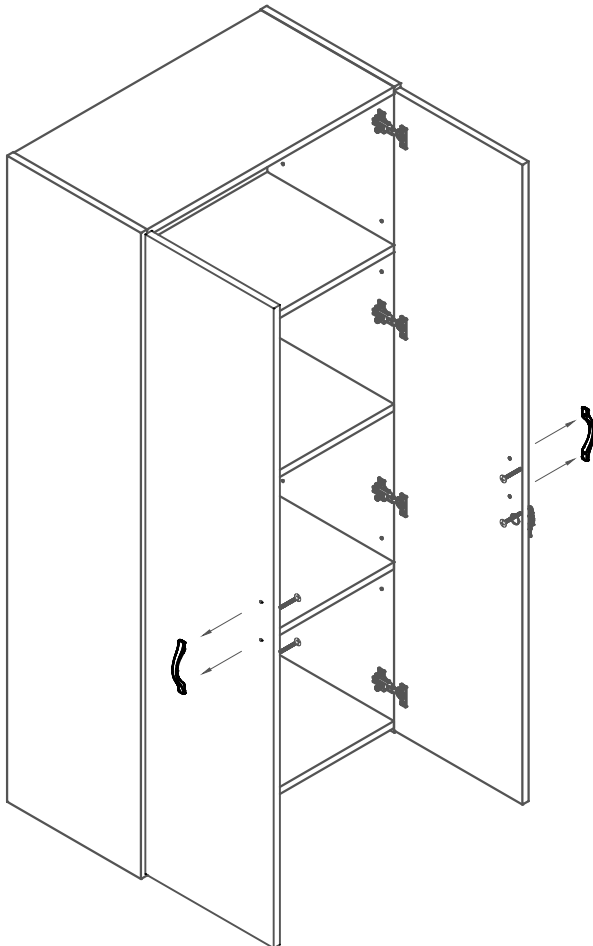
STEP  
6

Attach the doors to your bookcase carcass, tighten hinge as shown below.


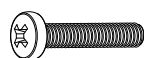


STEP  
7

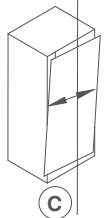
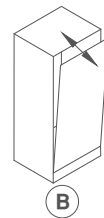
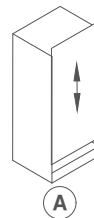
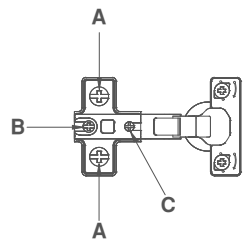
Fix the Handles to the doors as shown.



**FITTINGS REQUIRED**

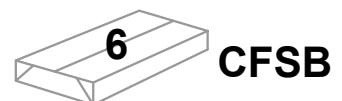
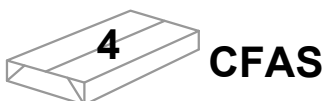
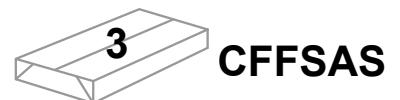
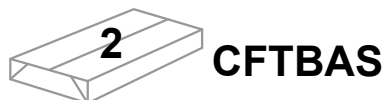
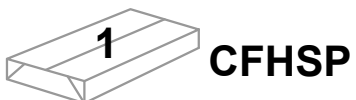
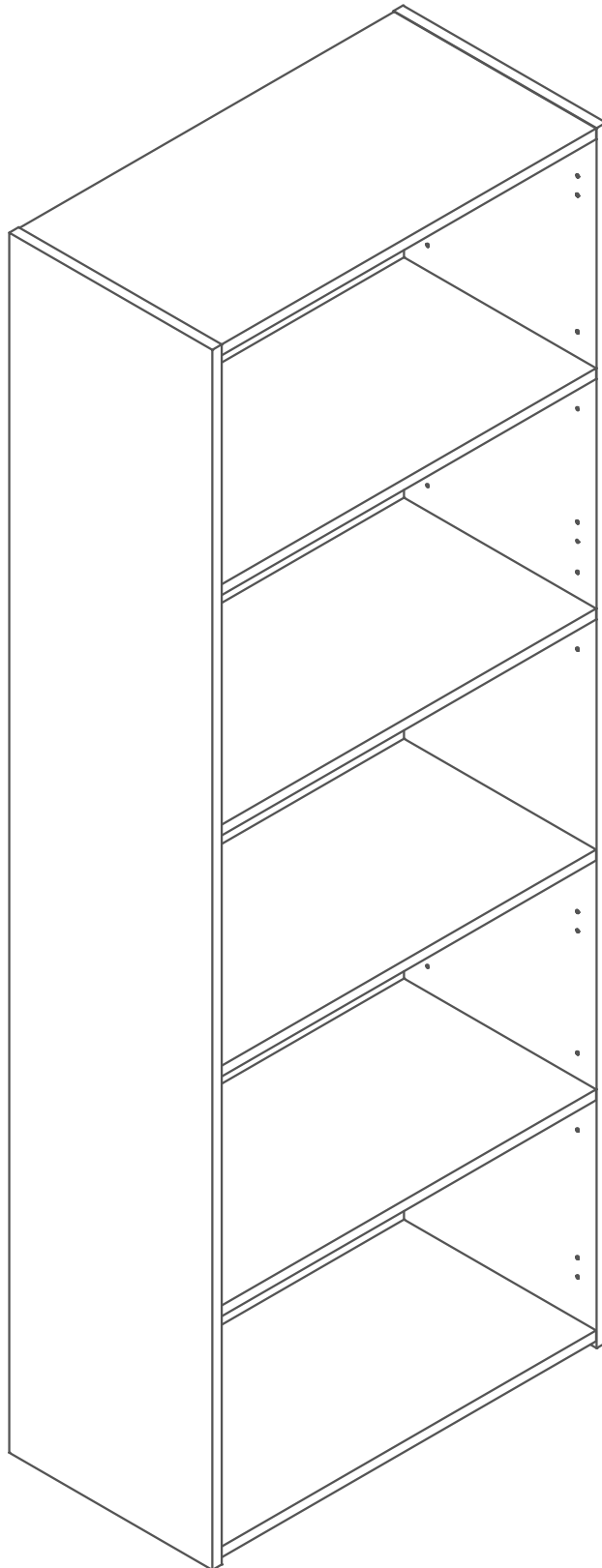
<b>2</b>	<p>96mm HANDLE RM-HDL09</p> 
<b>4</b>	<p>M4 x 22mm HANDLE SCREW RM-SCR25</p> 

If the doors are not correctly aligned, see diagram below to rectify.



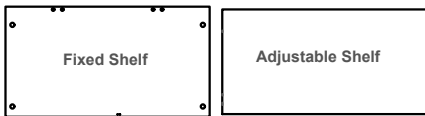
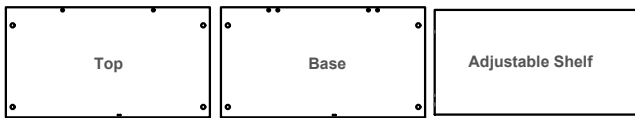
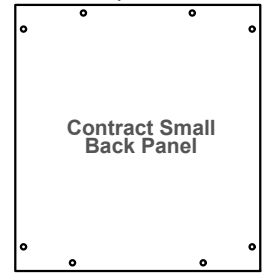
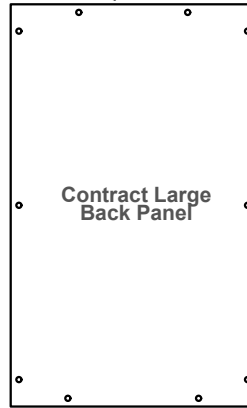
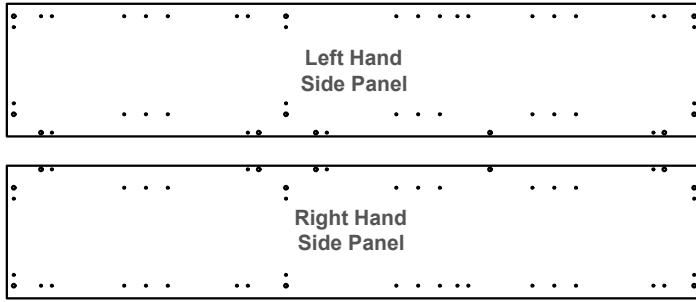


# CFHBC



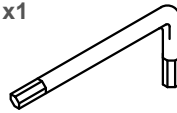


# Please check that you have all the packages and fittings



Please Note all fittings are packed in the CFHSP

x1



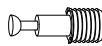
RM-ALK01 - 4mm ALLEN KEY

x30



RM-CAM03 - 15mm MINIFIX CAM

x30



RM-BLT06 - 24mm QUICKFIX PIN

x12



RM-PAR07 - TRANSPARENT SHELF CLIP

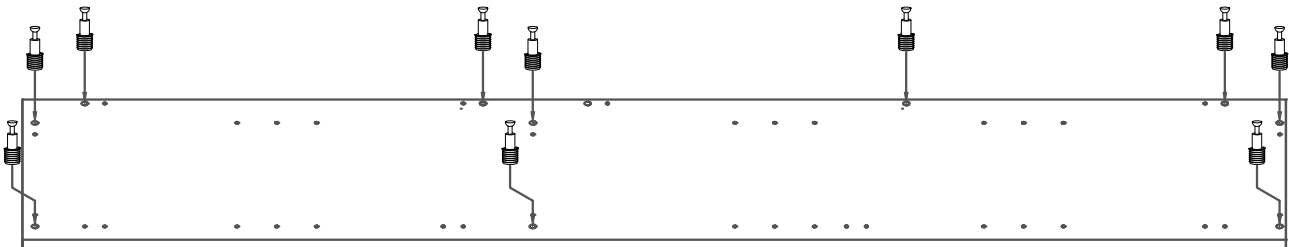
x20



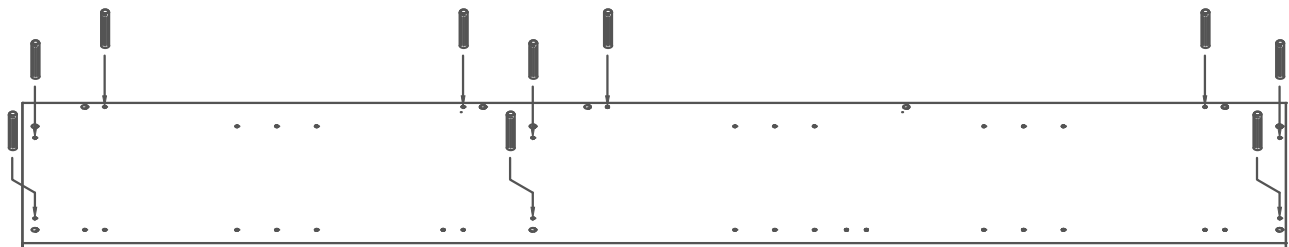
RM-WOW01 - 5mm WOOD DOWEL

STEP 1

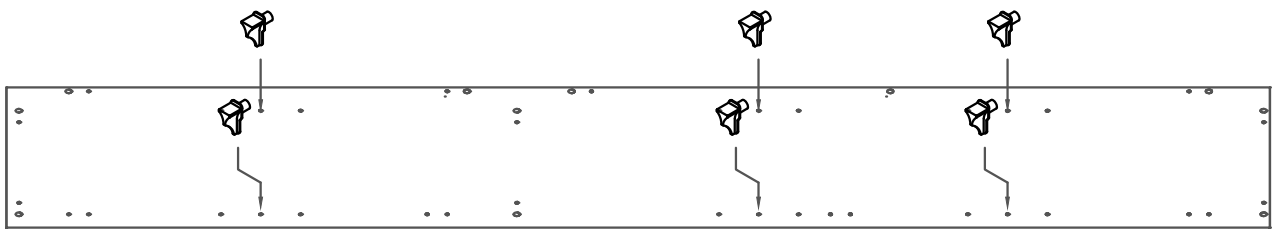
## Insert Dowels, Woodfix Pins and Shelf Clips into both side panels as shown



Quickfix Pins



Wood Dowels

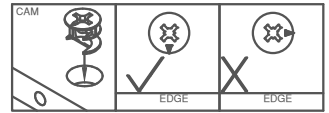


Shelf Clips

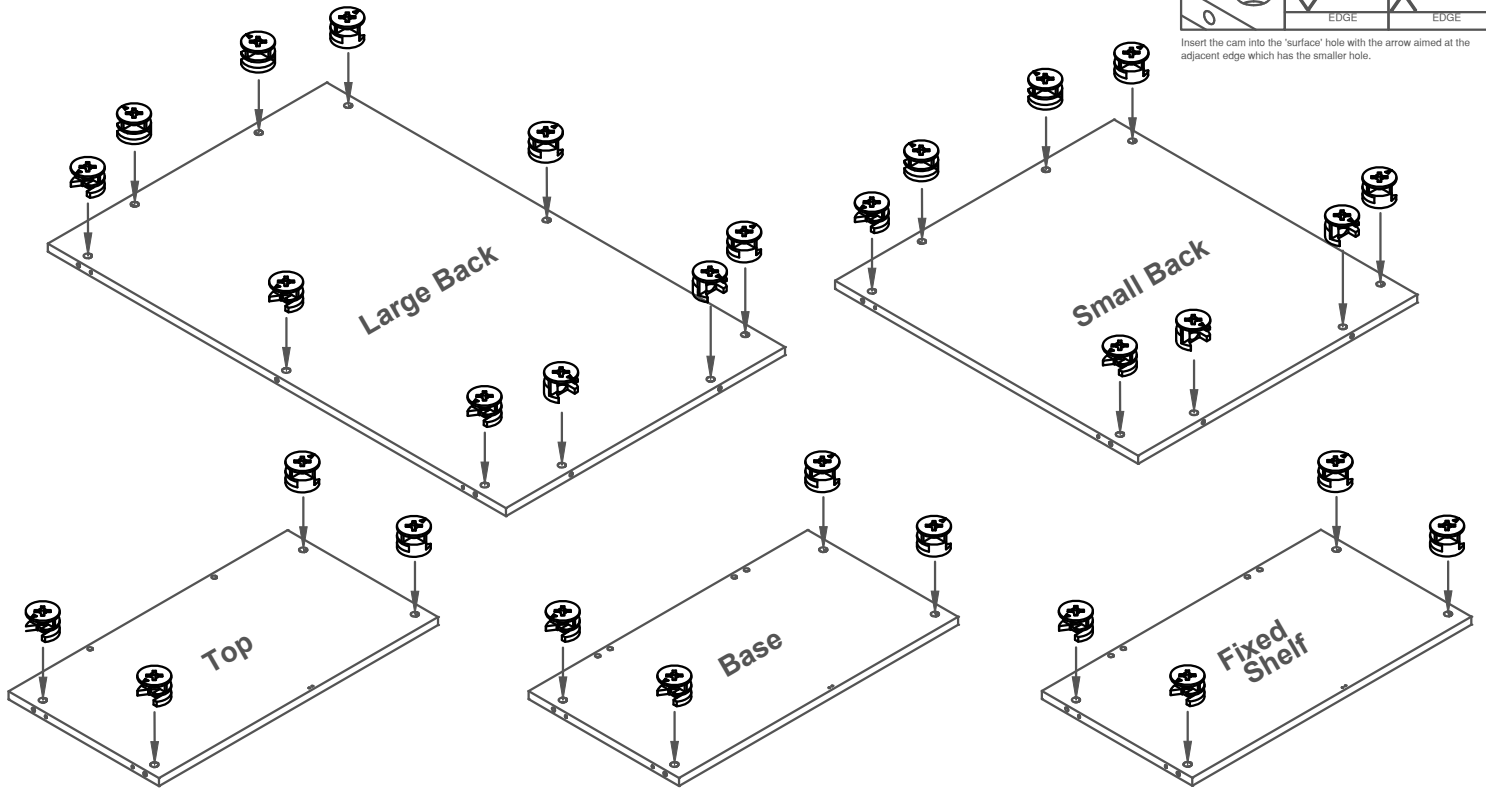
Right Hand Side Panel Shown  
Repeat for Left Hand Side Panel

STEP  
2

Insert the Cams into the back panels, top, base and fixed shelf.



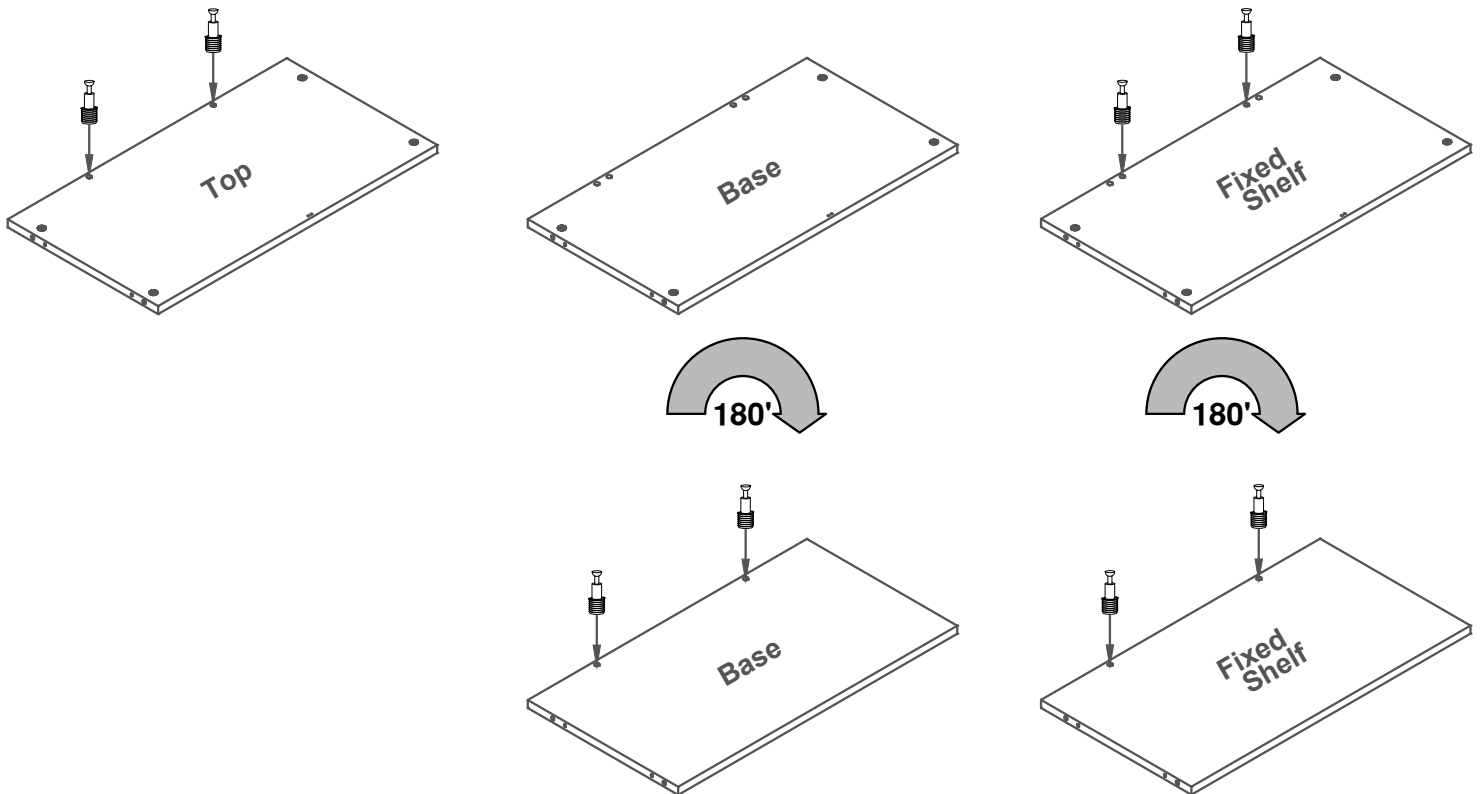
Insert the cam into the 'surface' hole with the arrow aimed at the adjacent edge which has the smaller hole.



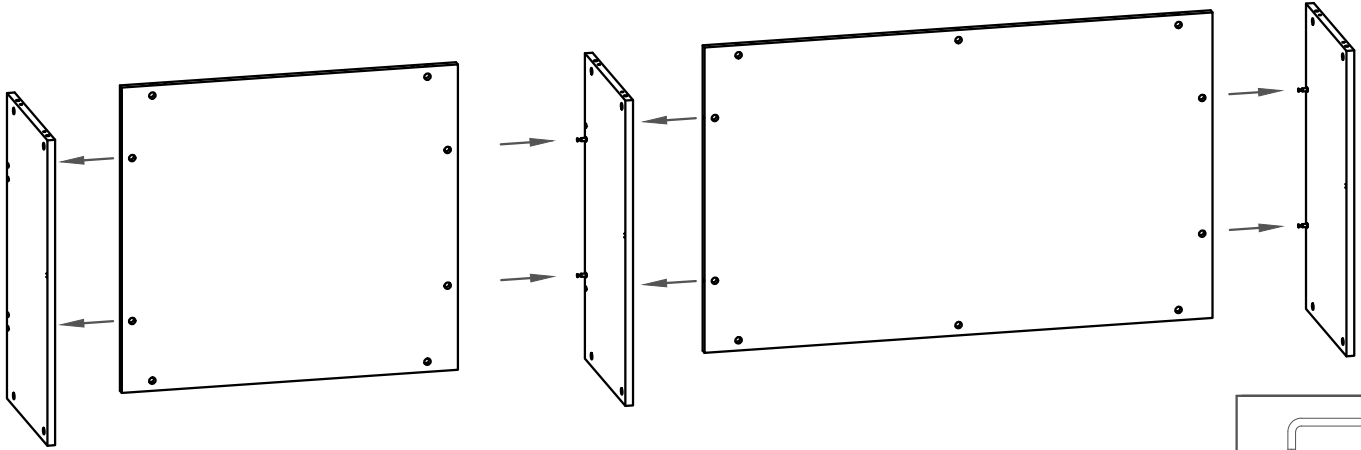
STEP  
3

Insert the Quickfix Pins into the top, base and fixed shelf.

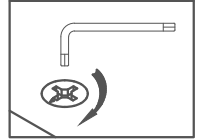
The base and fixed shelf need to be turned over to insert pins in the opposite face.



STEP  
4

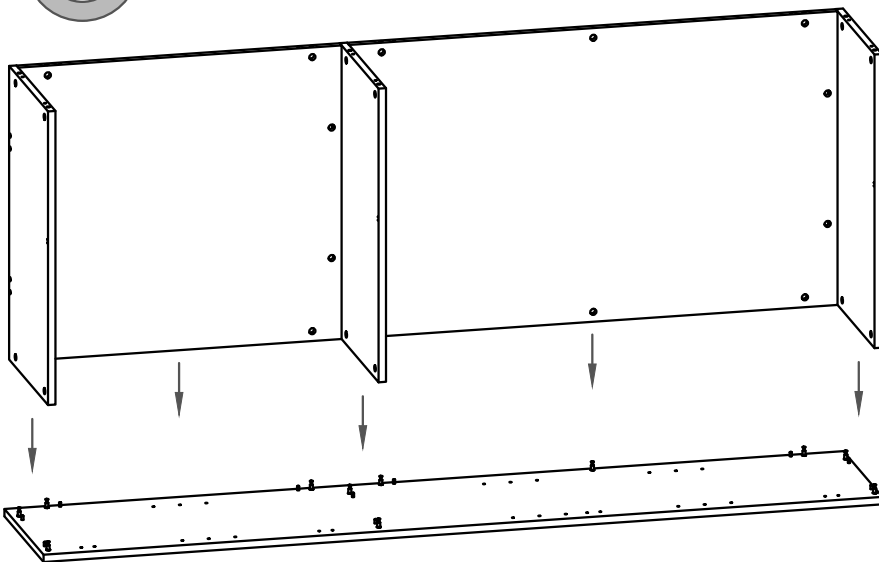


**ATTACH THE TOP, BASE AND FIXED SHELF TO THE BACK PANELS.  
PLEASE ENSURE THAT ALL CAM FITTINGS ARE TIGHTENED**



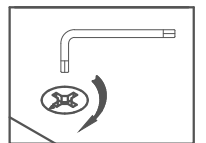
Make sure you turn the cams as far as they will easily go - more than half a turn.

STEP  
5



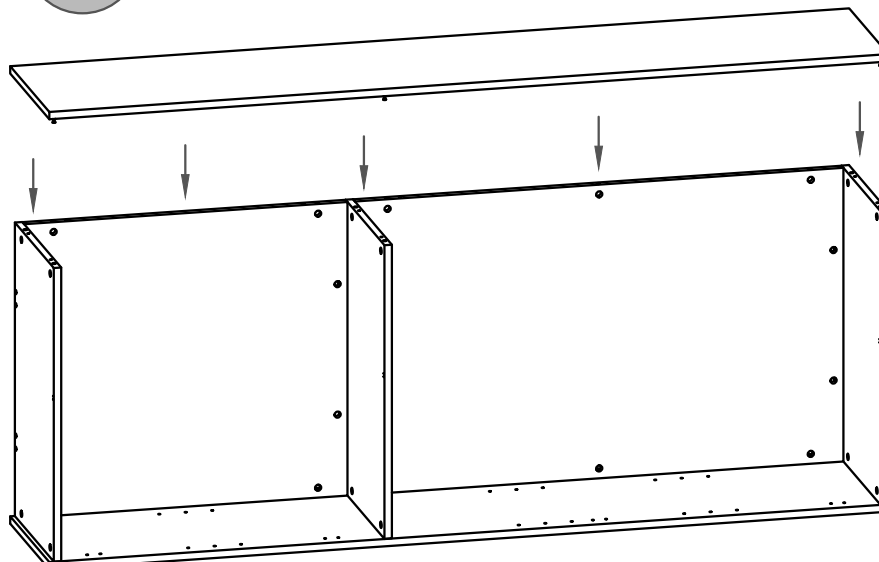
**ATTACH THE PART ASSEMBLED CARCASS TO THE RH SIDE PANEL.**

**PLEASE ENSURE THAT ALL CAM FITTINGS ARE TIGHTENED.**



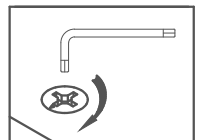
Make sure you turn the cams as far as they will easily go - more than half a turn.

STEP  
6



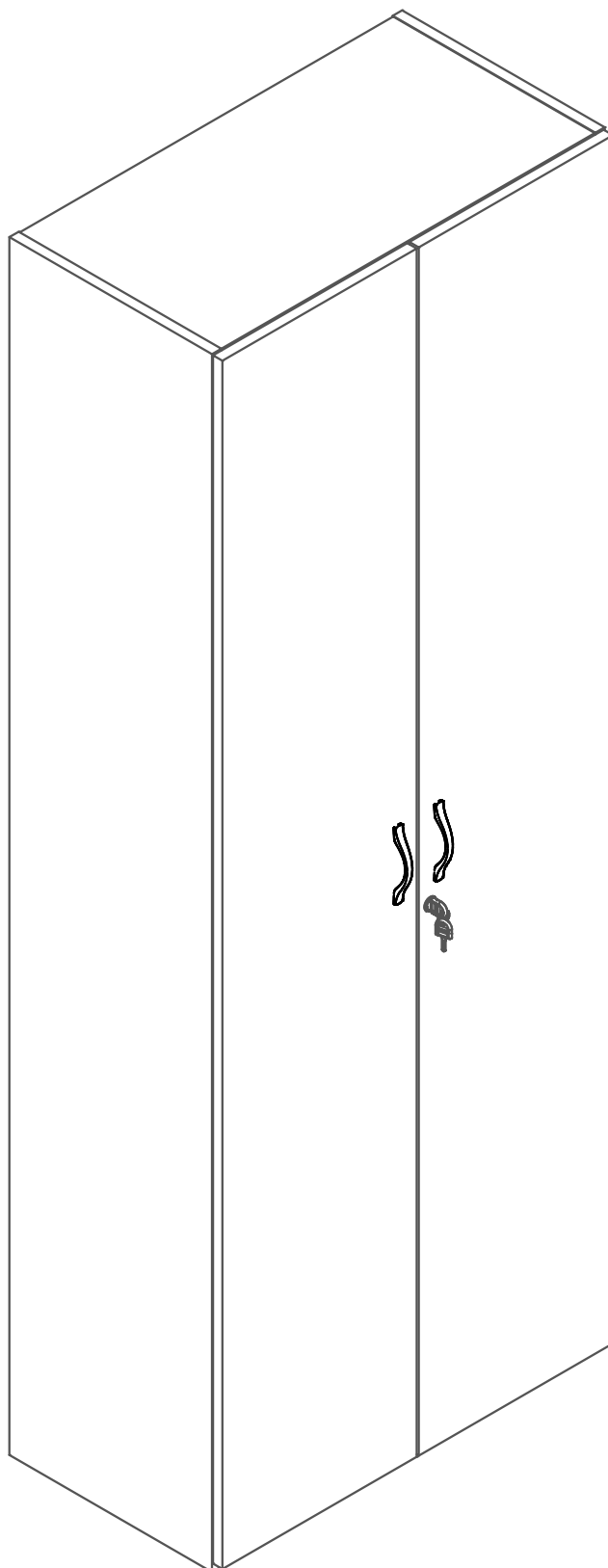
**FINALLY ATTACH THE PART ASSEMBLED CARCASS TO THE LH SIDE PANEL.**

**PLEASE ENSURE THAT ALL CAM FITTINGS ARE TIGHTENED.**



Make sure you turn the cams as far as they will easily go - more than half a turn.

# CFHDP



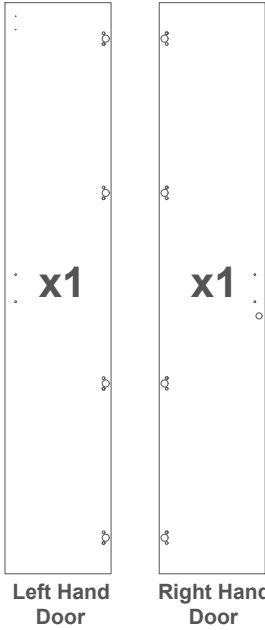
CFHDP



# Please check that you have all the packages and fittings



## Panels



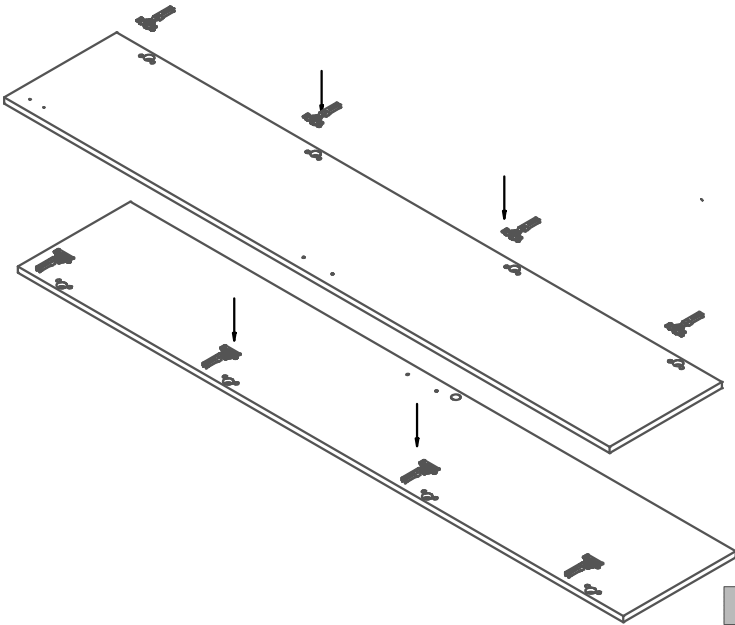
## Fittings

Please Note all fittings are packed in the CFHDP door pack

x2	 RM-HDL09 96mm HANDLE	x1	 RM-LOK13 SPEGELSTEIN BOLT
x8	 RM-HGE01 SPEED FIX HINGE	x1	 RM-LOK12 SPEGELSTEIN CLIP
x8	 RM-HGP01 SPEED FIX PLATE	x4	 RM-SCR26 3.5 x 15 WOOD SCREW
x1	 RM-LOK11 RABBIT LOCK	x2	 RM-SCR37 4.0 x 20 WOOD SCREW
		x4	 RM-SCR25 M4 x 22 HANDLE SCREW

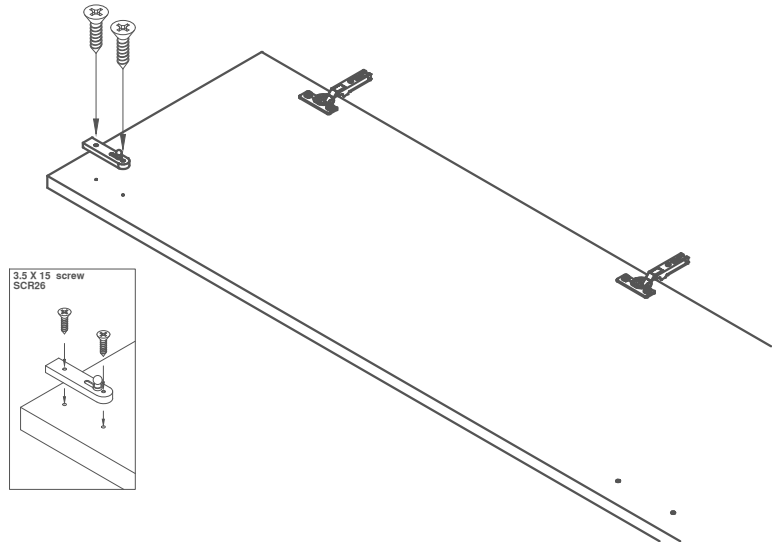
STEP 1

Insert Speed Fix Hinges into both doors.



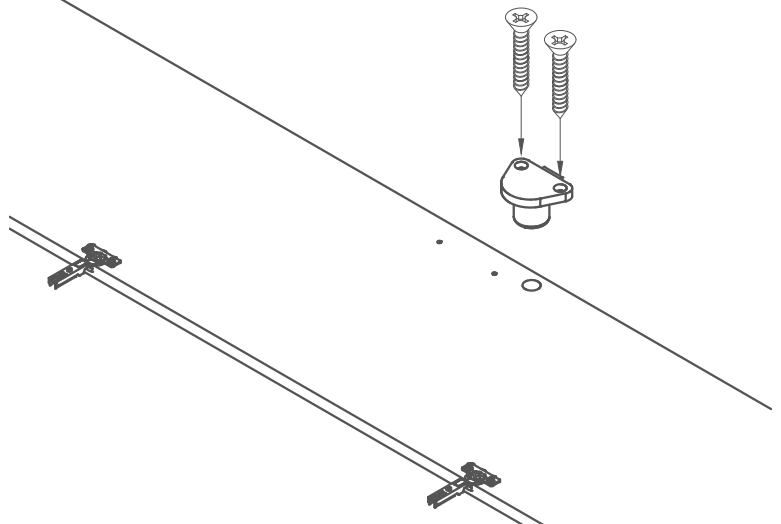
STEP 2

Attach Spiegelstein Bolt to Left Hand Door

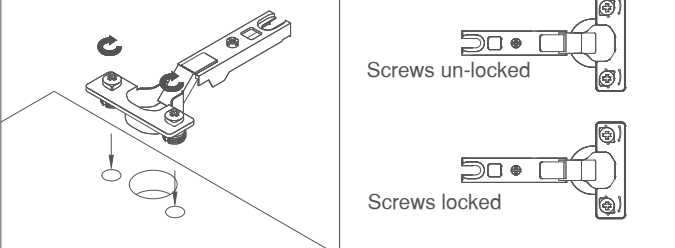


STEP 3

Attach Rabbit Lock to Right Hand Door

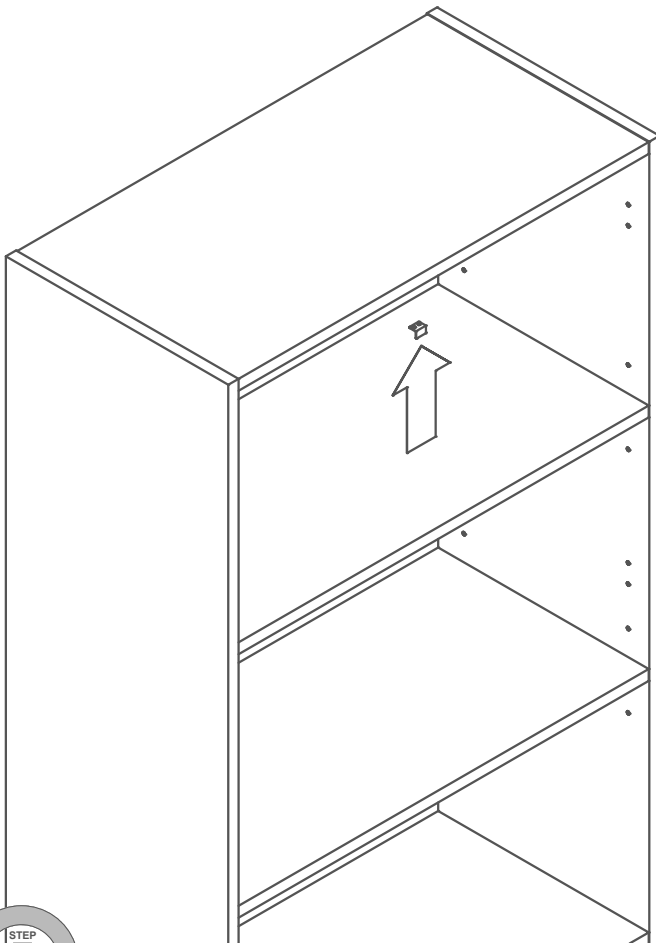


Turn screws through 90 degrees

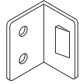



STEP  
4

Attach Spiegelstein Clip to the underside of the Top.

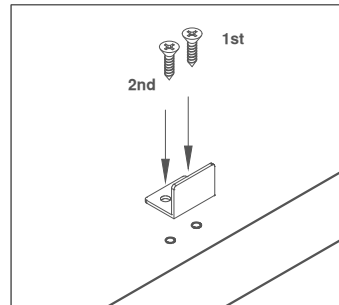


FITTINGS REQUIRED

<b>1</b>	Spiegelstein clip RM-LOK12	
<b>2</b>	Screw 3.5x15 RM-SCR26	

STEP 3

The Spiegelstein clip fits to the underside of the top .

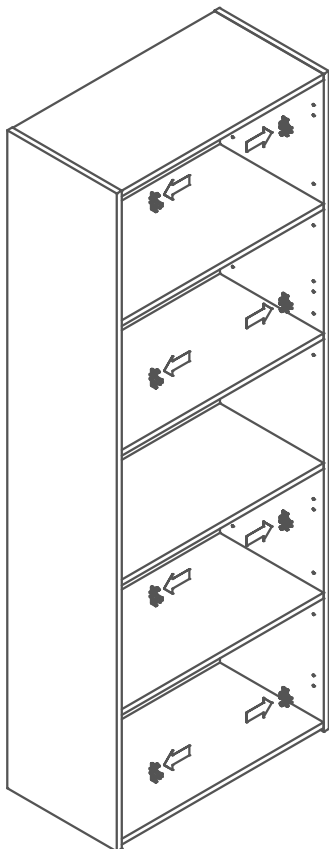


Locate the Spiegelstein clip with 1st screw.

Make sure clip is parallel to the front of the top and secure with the second screw.

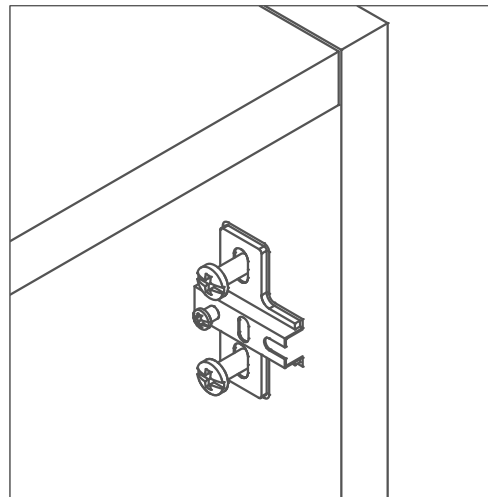
STEP  
5

Attach Speed Fix Plates to both Side Panels



FITTINGS REQUIRED

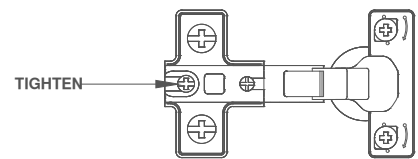
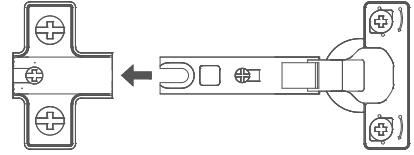
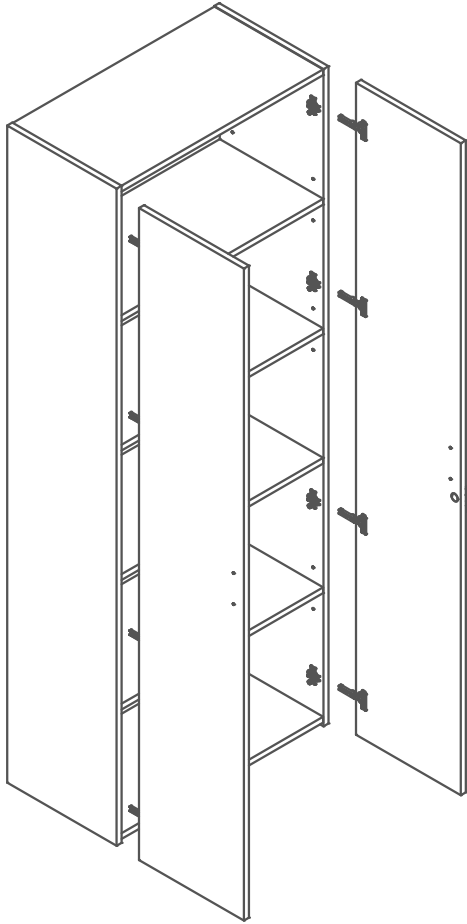
<b>8</b>	Speed Fix Hinge RM-HGE01	
----------	-----------------------------	---



Make sure the hinge is fixed the correct way round

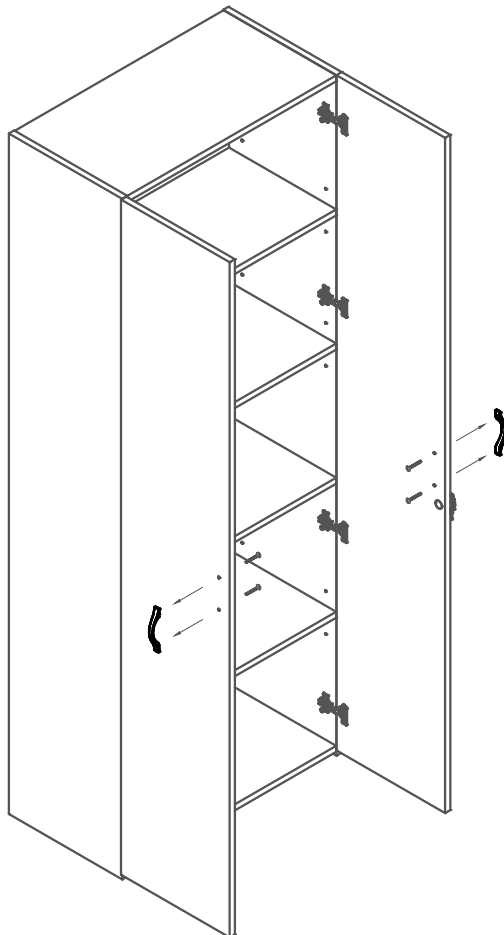
STEP  
6

Attach the doors to your bookcase carcass, tighten hinge as shown below.


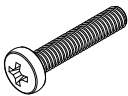


STEP  
7

Fix the Handles to the doors as shown.



**FITTINGS REQUIRED**

<b>2</b>	<p>96mm HANDLE RM-HDL09</p> 
<b>4</b>	<p>M4 x 22mm Handle Screw RM-SCR25</p> 

If the doors are not correctly aligned, see diagram below to rectify.

