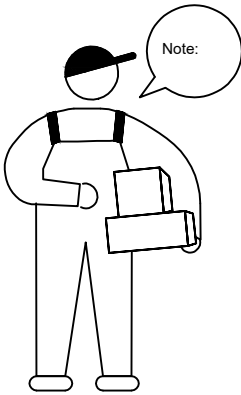


Assembly Instructions

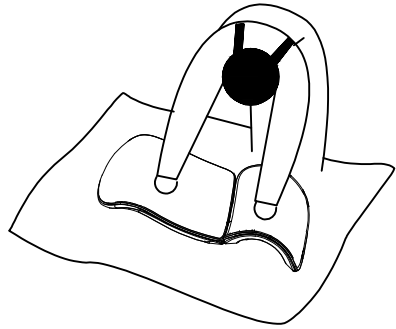


SWY300K2-G

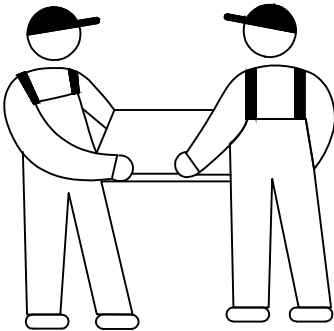
Assembly note:



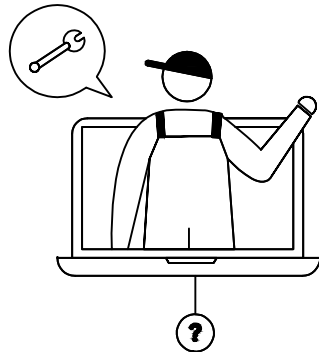
- ① Use a protective mat and handle the product with care.



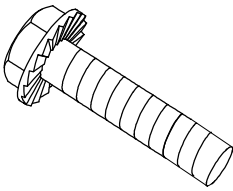
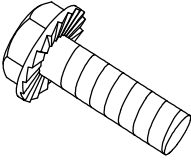
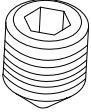
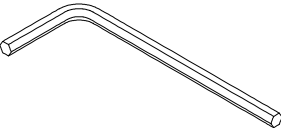
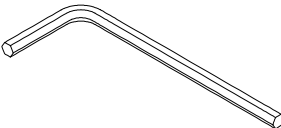
- ② At least two people are required.



- ③ Contact Dams if you require any further assistance.

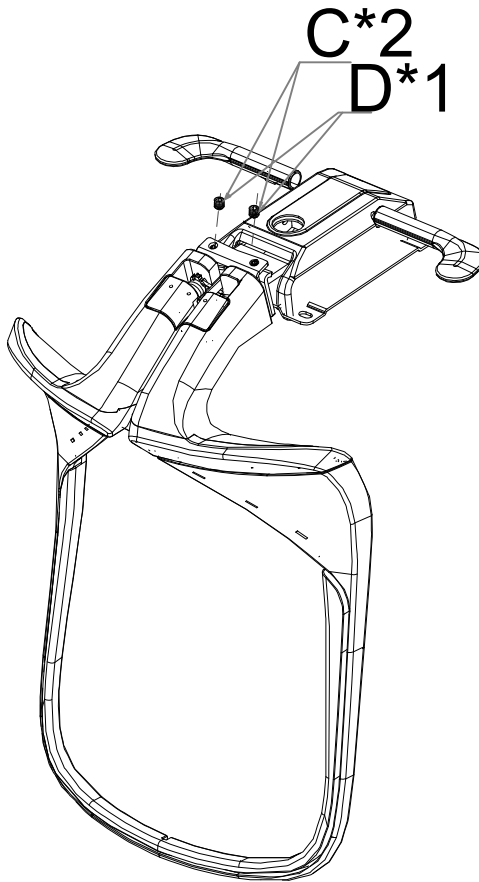


Accessory list:

<p>A</p> 			<p>B</p> 		
Hex Screw	M8*35	2	Hex Screw	M6*16	2
<p>C</p> 			<p>D</p> 		
Hexagon Socket Set Screws with Cone Point	M8*10	2	Allen key	4#	1
<p>E</p> 					
Allen key	5#	1			

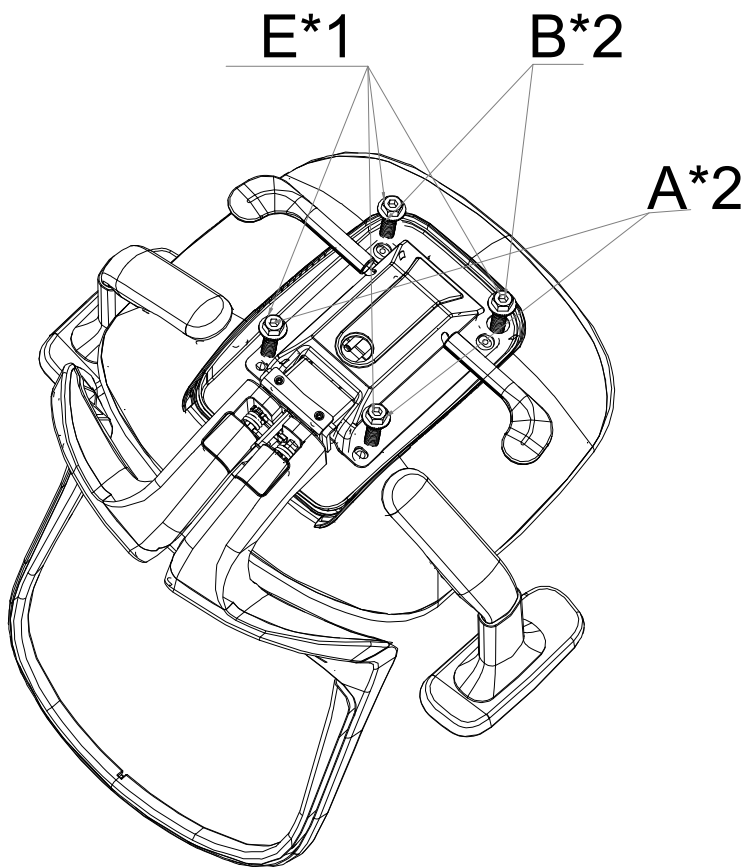
1. Use hexagon socket set and screws with cone point to assemble the backrest and mechanism.

1



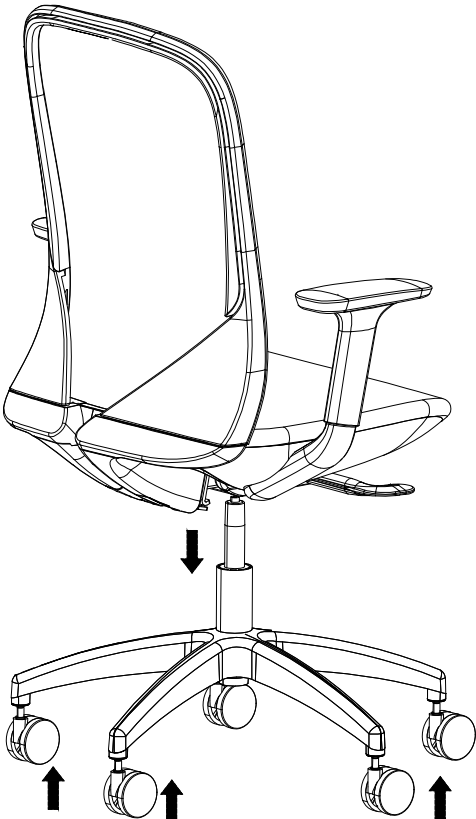
2. Use hex screws to assemble mechanism with backrest to the seat .

2



3. Align the castors with the holes of five-star base. Put the gas lift into the round holes of five-star base.

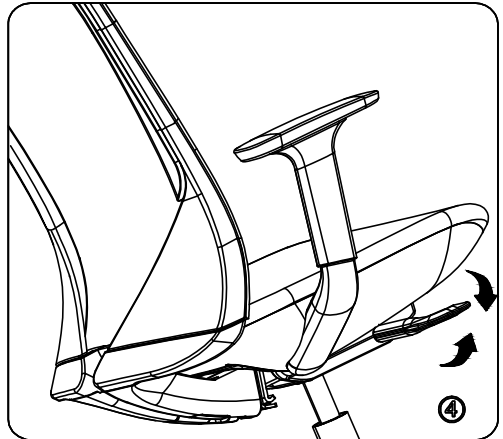
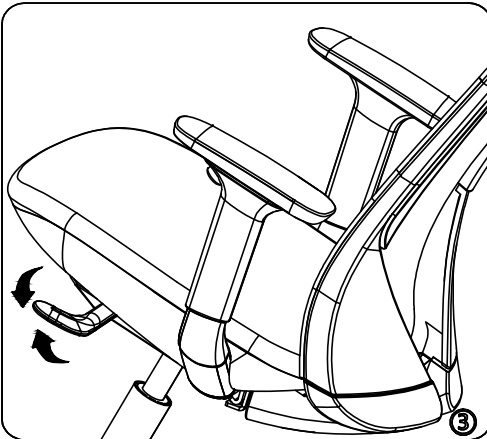
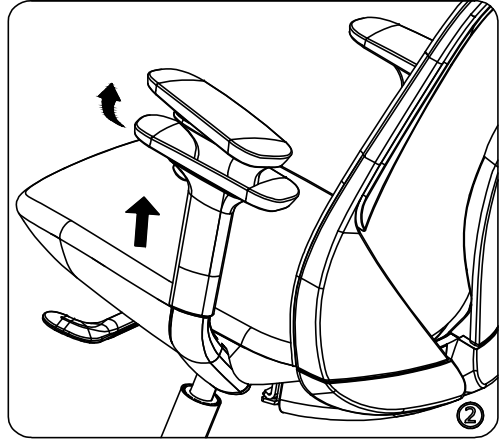
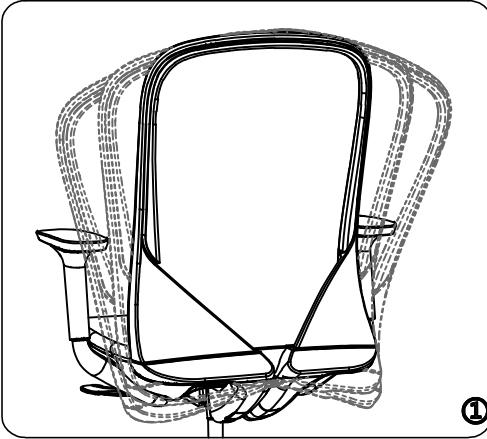
3



Done!



Function introduction:



1.Lateral back movement

Unique dynamic mechanism that allows for side-to-side movement, which helps users with twisting into unnatural positions to grab something that is just out of reach.

2.Adjustable arms

The arms can be adjusted up and down by holding down the button under the arm rest. Then move the arm rests left or right to suit any preferred position.

3.Tilting mechanism

The backrest can be adjusted and locked to different positions with the lever, to provide users with advanced support for the spine and pelvis.

4.Seat height adjustment

Upward: Get up from the chair and pull the controlling lever to lift the seat to the appropriate height.

Downward: Press down and pull the controlling lever to lower the seat to the appropriate height.