



Elev8² Touch - Return Desk

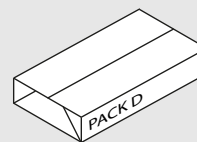
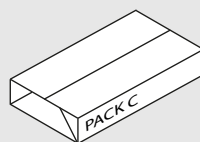
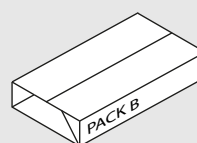
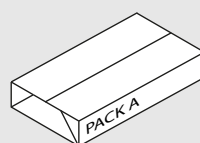
EVT-RET

EVT-1200 | EVT-1400 | EVT-1600



ASSEMBLY INSTRUCTIONS

Elev8² Touch
Return Desk



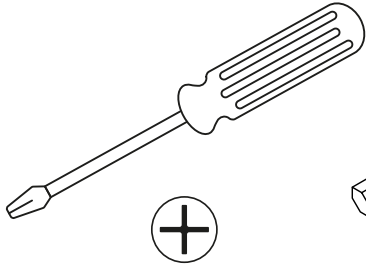
Pack A:
1 x DESKTOP

Pack B:
1 x UNDER FRAME

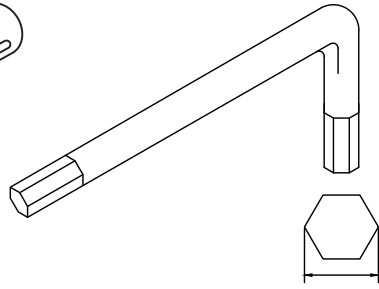
Pack C:
1 x RETURN FRAME

Pack D:
1 x RETURN TOP

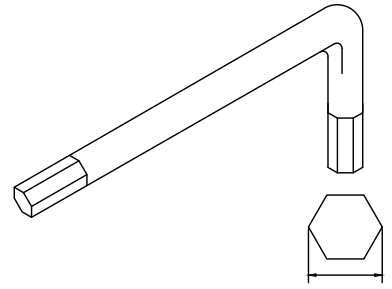
**TOOLS REQUIRED
FOR ASSEMBLY**



1 x Pozi screwdriver

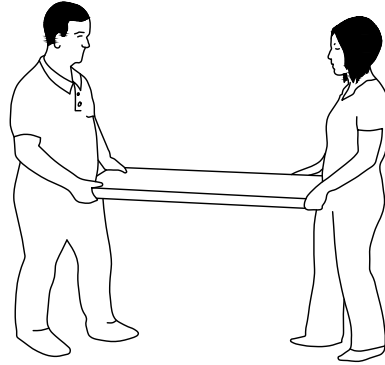
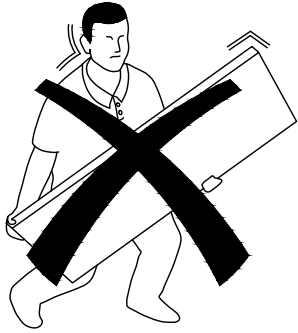


1 x 4mm Allen key

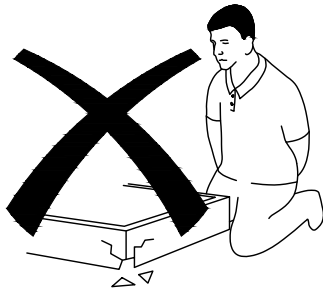


1 x 5mm Allen key

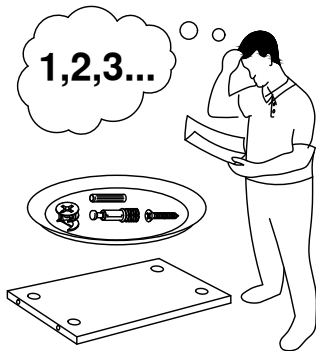
**DONT STRUGGLE
2 MAN LIFT**



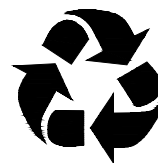
**ALWAYS HANDLE
ITEMS WITH CARE**



**IF UNSURE CALL
FOR ASSISTANCE**

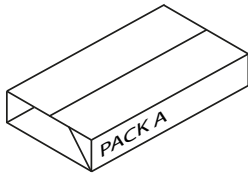


**KEEP FITTINGS AWAY
FROM CHILDREN**



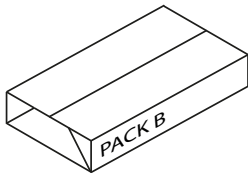


Please check that you have all the components



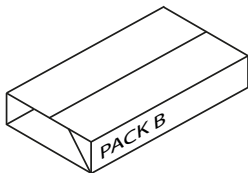
PACK A:
1 x DESKTOP

1200mm = ED128T
1400mm = ED148T
1600mm = ED168T



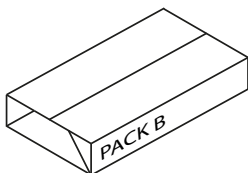
PACK B:
1 x UNDER FRAME

Leg pack code = ST-T*



PACK C:
1 x RETURN FRAME

Return frame code = RT-KIT*

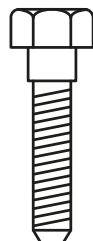


PACK D:
1 x RETURN TOP

Return top code = EDRT



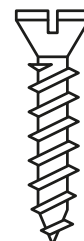
FITTINGS SUPPLIED



Size

PCS

M6 x 12mm **2**
M6 x 16mm **10**
M10 x 16mm **12**
M10 x 20mm **16**



Size

PCS

Ø4 x 25mm **2**
Ø5 x 20mm **24**

* Code to include suffix of colour ordered eg. Silver (**S**), White (**WH**) or Black (**K**)

ELEV8² TOUCH RETURN DESK ASSEMBLY

1

Step 1

Unpack your new height adjustable desk frame and place on a flat surface.



Single desk frame

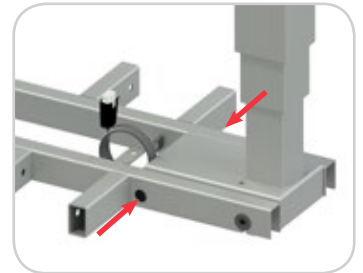
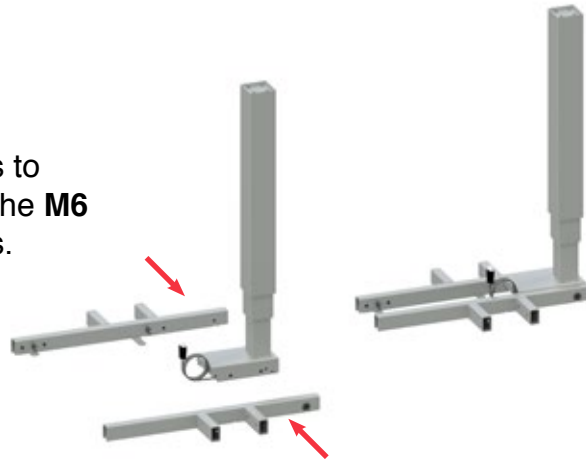


Return desk leg

2

Step 2

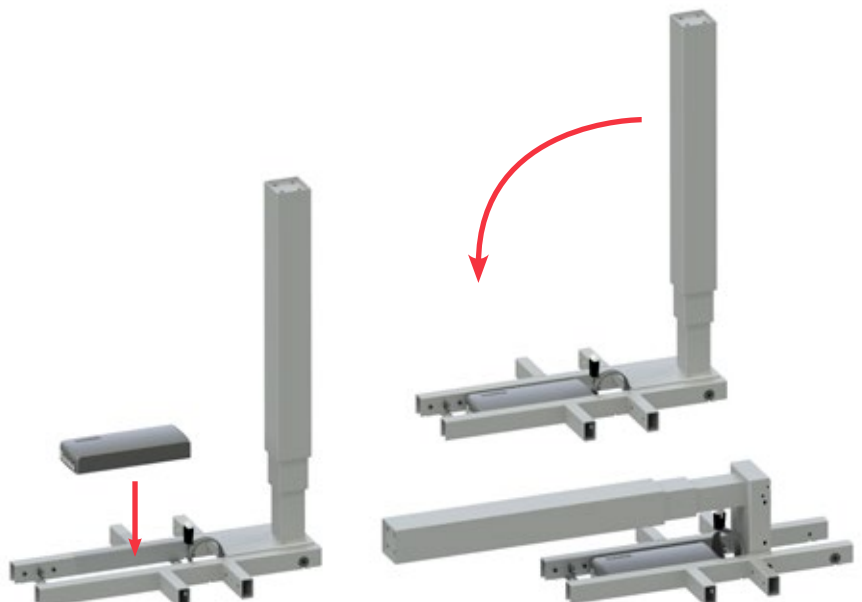
Attach the cross rails to the return leg using the **M6** machine thread bolts.



3

Step 3

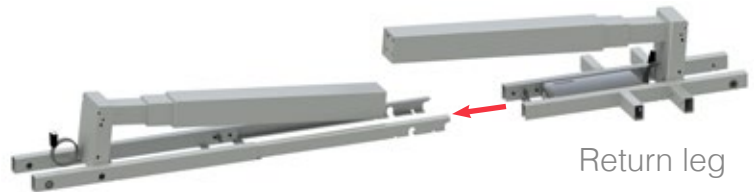
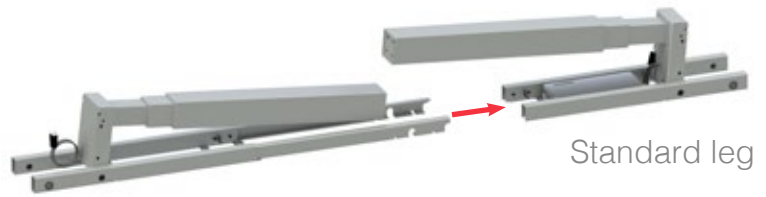
Attach the control box to the frame positioned between the cross rails. Ensure the connectors marked "**M1**", "**M2**", "**M3**" and "**H**" are positioned away from the leg to allow easy access.



4

Step 4

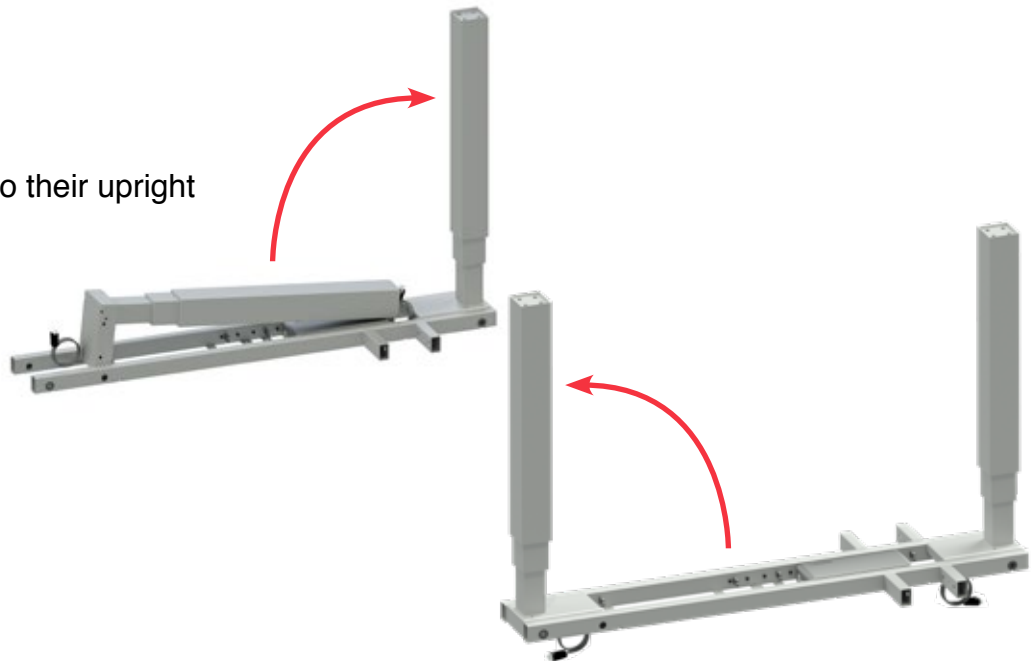
Slide off the leg with the pre-attached control box and replace it with the return leg.



5

Step 5

Unfold both legs to their upright position.



6

Step 6

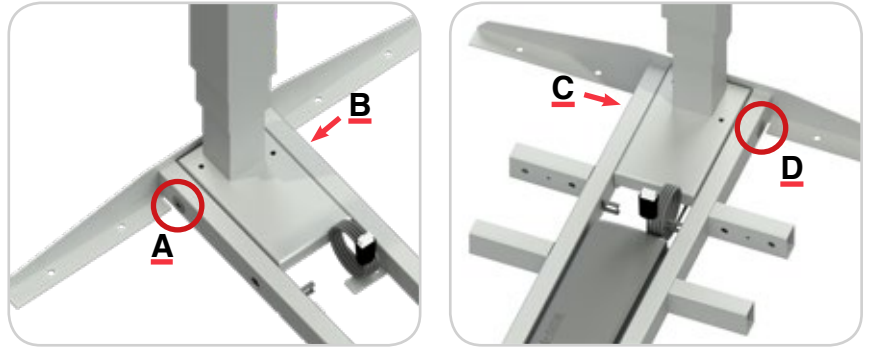
Insert the 2 desktop end rails into the frame cross sections.



7

Step 7

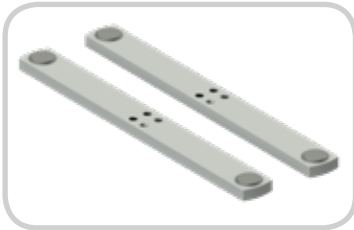
Once the end rails have been inserted into the cross rails, tighten the 4 bolts at points **A-D**.



8

Step 8

Attach both of the larger feet to the leg uprights using the 8 x bolts provided

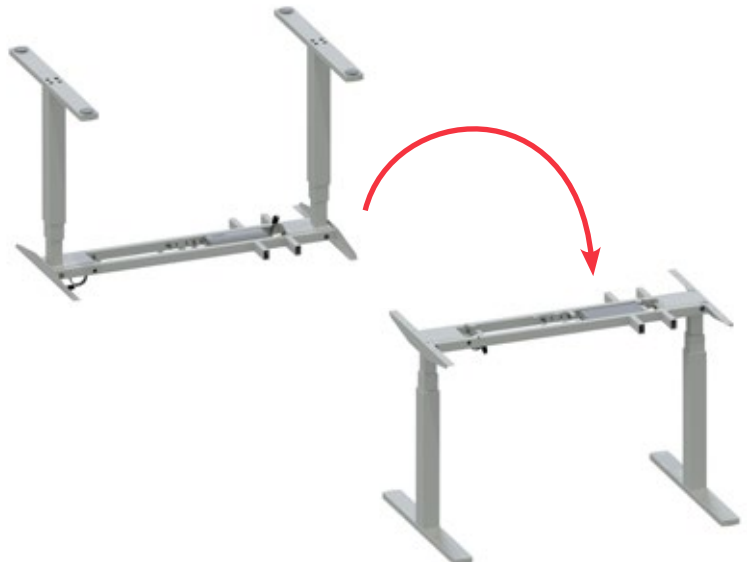


9

Step 9

Once the feet are attached, turn the desk over into its upright position.

2 person lift, do not attempt to do this without assistance, this could result in injury or damage to the product.



10

Step 10

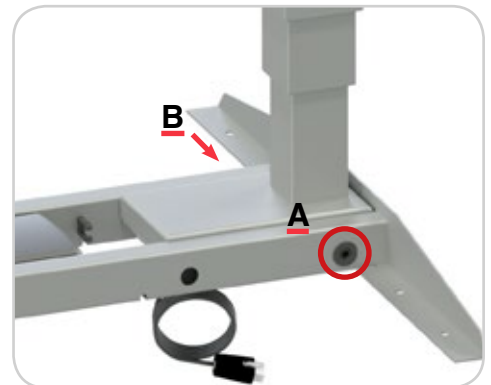
Assemble the remaining leg by firstly unfolding the leg upright into its vertical position.



11

Step 11

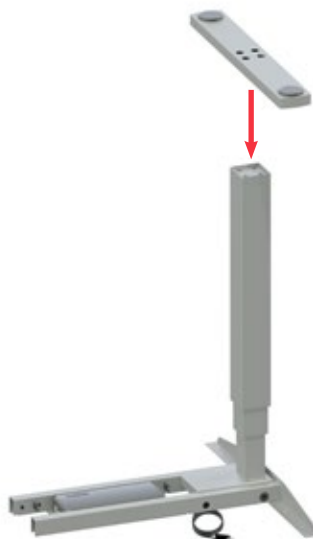
Insert the remaining end rail into the frame cross sections and tighten at points A & B.



12

Step 12

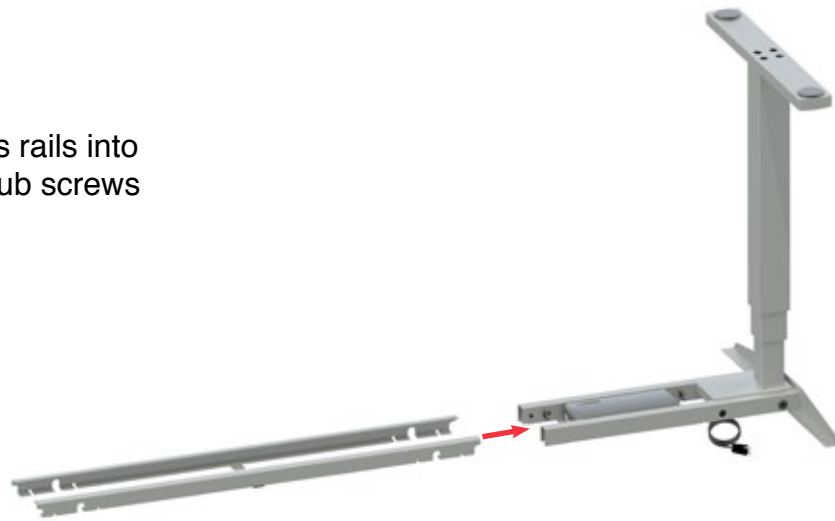
Attach the smaller foot to the leg upright with the remaining 4 x bolts provided.



13

Step 13

Insert the remaining cross rails into the leg and tighten the grub screws at the required length.



14

Step 14

Now the return leg has been assembled turn the leg over into its upright position.

If you cannot lift the leg, seek assistance as not to cause injury or damage to the product.



Step 15

Attach the return leg to the main desk frame and tighten the grub screws in the rails. Extend the frame to your desired length (1200mm, 1400mm or 1600mm).

Right hand return



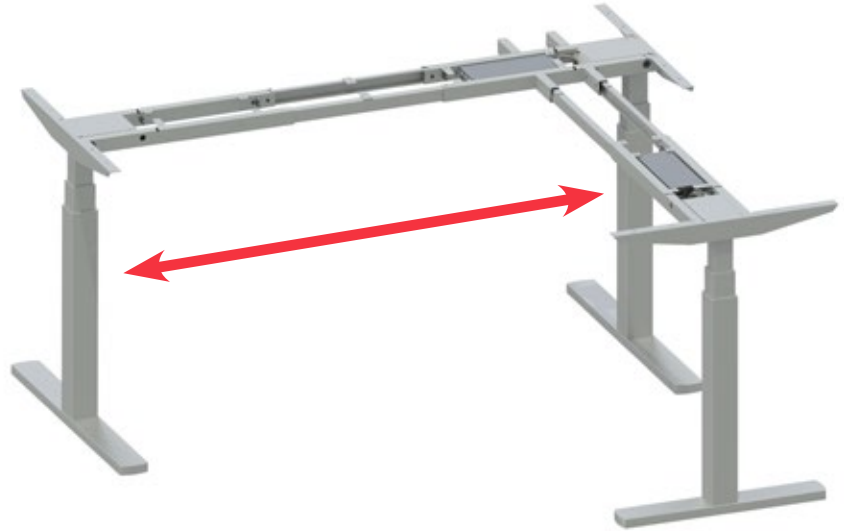
Left hand return



16

Step 16

Extend the frame to your desired length (1200mm, 1400mm, 1600mm).
Once extended, tighten the grub screws on the inside face of the cross sections.



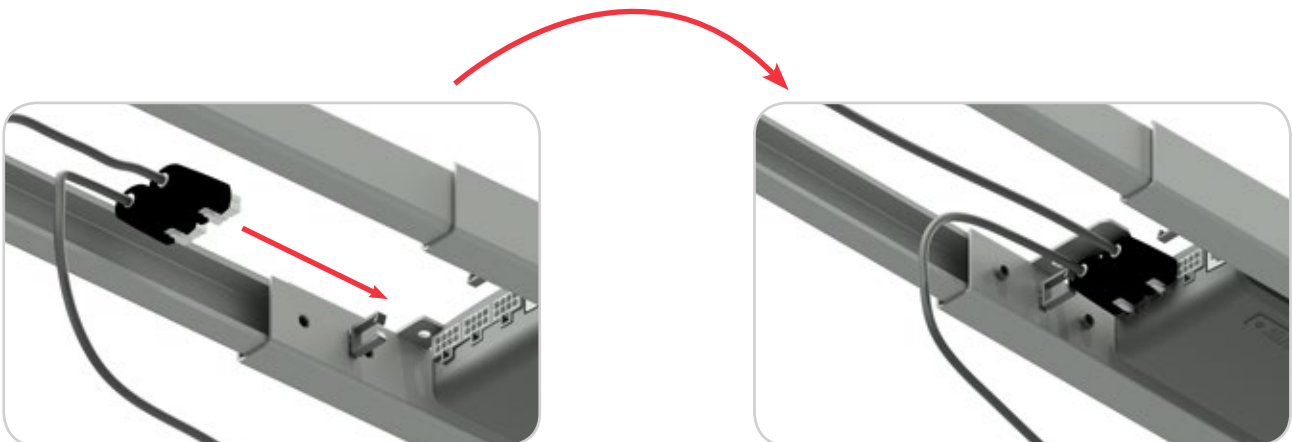
17

Step 17

Now that your desk frame is assembled you can proceed with the wiring. Connect both end legs to the control box, insert the connectors into ports “M1” and “M2”.

NOTE

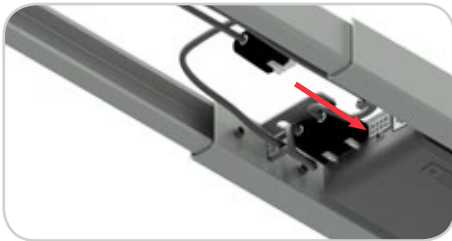
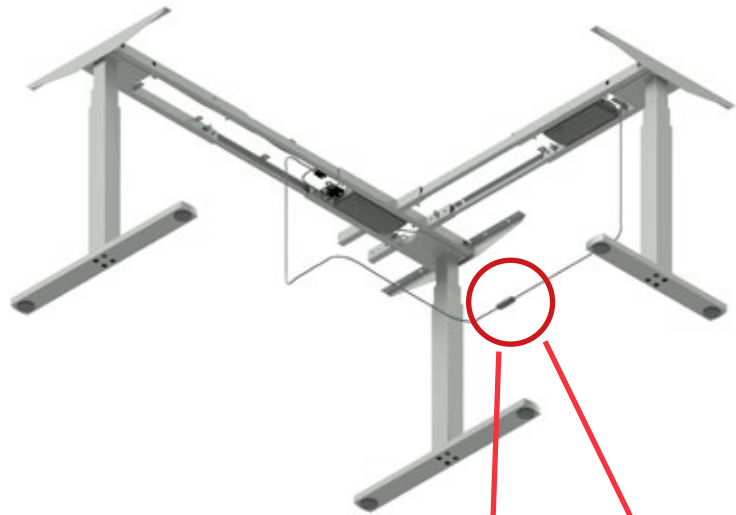
Before proceeding, ensure that the connector plugs are connected properly. You should have heard the plugs click and lock into place.



18

Step 18

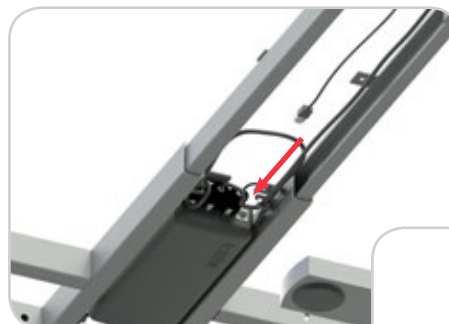
Connect the extender cable to the remaining connector on the return leg. Insert connector into port “M3” on the control box.



19

Step 19

You can now attach the desktop controller. This connector plug should be inserted into the port marked “H” on the control box.



20

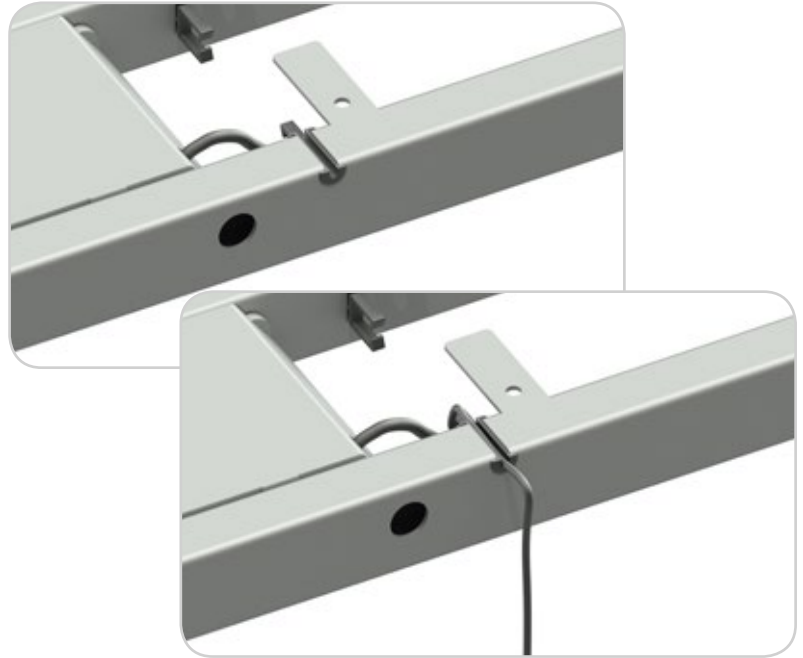
Step 20

The desktop controller should be positioned on the opposite side of the desk to the return. Insert the wire protector into the recessed cut out in the top of the cross section and ensure the wire passes through the protector.



NOTE

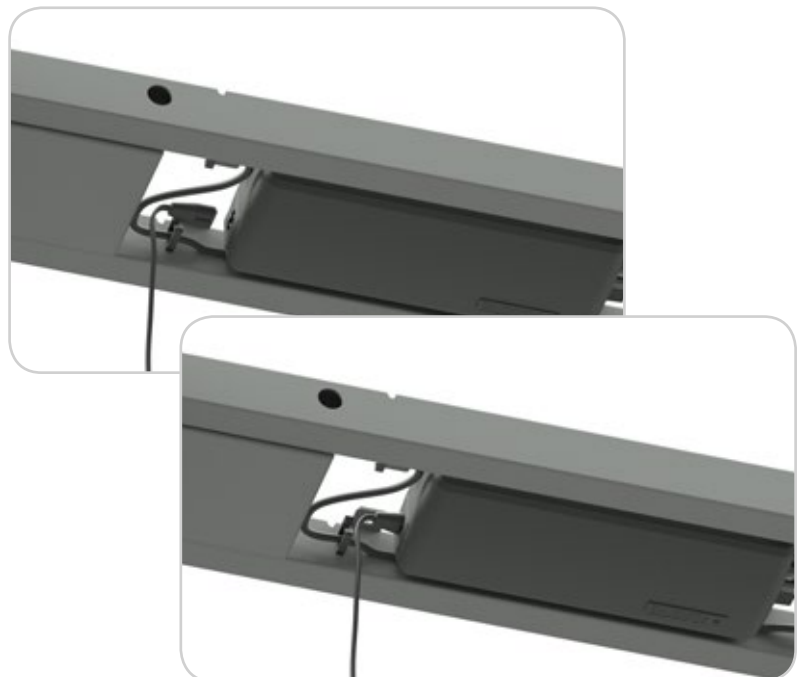
Ensure that once the controller is connected to the control box all the wires are neatly tucked into the cable management clips.



21

Step 21

You are now ready to connect your mains lead to the control box. Insert the figure 8 connector plug into the corresponding socket on the control box, this is marker “AC”.



22

Step 22

Now position the desktop onto the framework ensuring that the scalloped edge is at the rear of the frame.

Align the holes in the desktop end rails with the pre drilled holes on the underside of the desktop.

Use the wood screws supplied to attach the top to the frame, if you are using a cordless/power driver make sure it is on a low torque setting.

NOTE 

Use Ø5 x 20mm wood screws to attach the top to the frame.

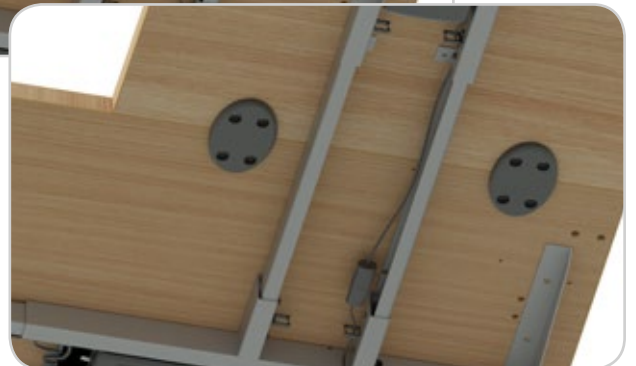


23

Step 23

Attach the second desktop extension brackets to the underside of the desktop, there are pre-drilled holes for ease of alignment.

Once attached, position the return top onto the frame and fix in place ensuring that the outside edge of both tops are aligned.



NOTE 

Use Ø5 x 20mm wood screws to attach the top to the frame.

24

Step 24

If the desktops are out of alignment from the frame you may need to loosen the grub screws in the framework to adjust the frame to the correct length.




25

Step 25

Finally attach the desktop controller to the underside of the desktop using the wood screws provided. If you are using a cordless/power driver make sure it is on a low torque setting. There are pre-drilled holes on either side of the top so the controller can be attached to the Left or Right of the desk.



NOTE 
Use Ø4 x 25mm wood screws to attach the controller to the top.

Step 26

Your desk is now ready to be connected to the mains outlet.

Before you proceed with operating your new desk it is recommended that you perform a full reset of the controller to calibrate the height of each leg.

This can be done using the following steps;

- Press both buttons at the same time for 3 seconds.
- Continue pressing the buttons until both columns are in lowest position.
- Keep pressing the buttons until control box makes 1 beep.
- When control box makes 1 beep, it is confirmed that reset has been completed and buttons can be released.
- Now the desk is operational.
- If the desk is disconnected by accidentally pulling out the plugs at the control box, motors, handset, main power source or system status reach overload, overheat etc. then the desk must be reset.
- If the desk is powered off intentionally at the main power switch, then the desk does not need to be reset.

Operating the desk

Press this button, to operate the desk for upwards running.

Press this button, to operate the desk for downwards running.

Step 27

Upgrading to the Digital control unit

Make sure that your height adjustable desk is turned off and unplugged from the mains. Unplug the controller supplied with your height adjustable desk and replace with the digital control unit. Fix this to your top using the wood screws provided.

After connecting the digital control unit you will need to perform a reset.

Reset

- Press both up & down buttons at the same time for 3 seconds. Continue pressing the buttons until both columns are in lowest position. When the reset is finished, the control box makes a beep and the buttons can be released.
- When conducting reset, the display shows "000" in last 100mm stroke. When the reset has finished, the display shows starting height again.
- If releasing up & down buttons before the display shows "000", the desk goes back to normal operation.
- Reset is necessary for first operation of the desk.

Normal operation

- Press any button. 3-digits display shows current desk height in centimeters.
- Press up or down button to adjust the desk height.
- When no button has been pressed for 10 seconds, display goes off. Press any button to light up the display again.
- When no button has been pressed for 30 seconds, the system goes to <0.1 W standby mode. Long press any button to wake the system up. Display shows desk height again.

Memory position

The digital control unit supports 4 memory positions. to set the positions follow these steps;

1. Operate the desk to preferred height.
2. Press any of 1,2,3,4 buttons together with up or down buttons for 2 seconds to store the current height. Display shows P1/P2/P3/P4 when the position has been stored.
3. Now, hold any of the 1,2,3 or 4 buttons until the desk reaches the stored height.

Stored position can only be overwritten, not to be cleared.

