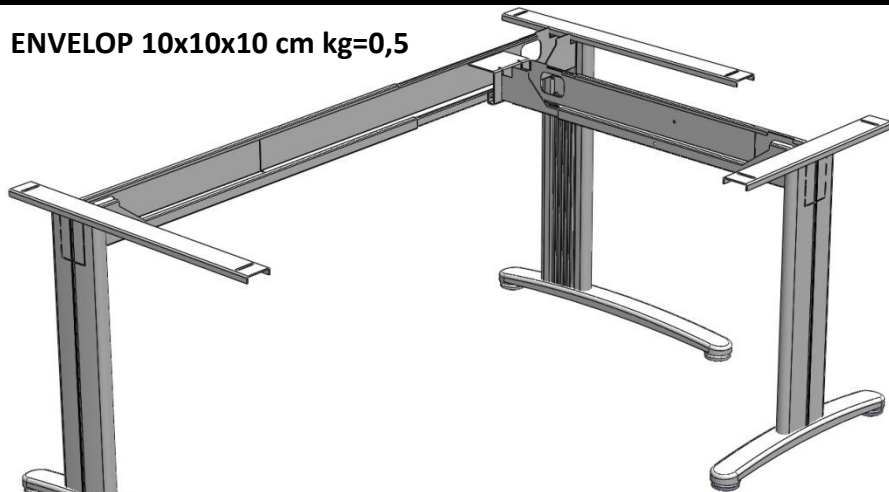


DAMS TR10 EXTENSION BRACKET

ENVELOP 10x10x10 cm kg=0,5

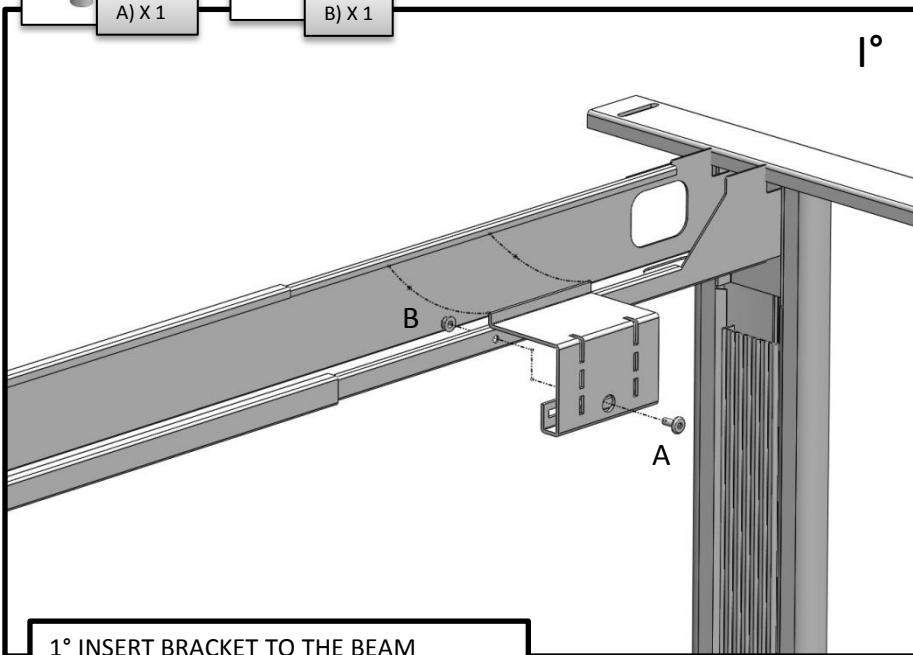


A) X 1



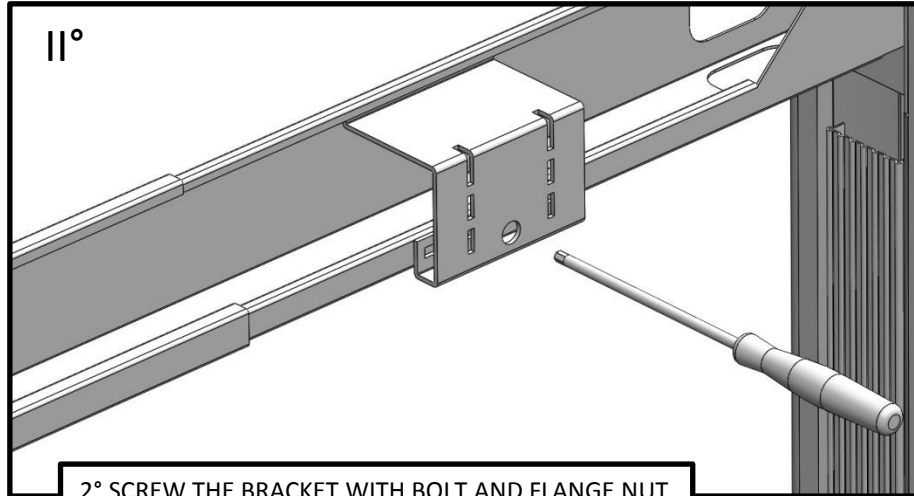
B) X 1

I°



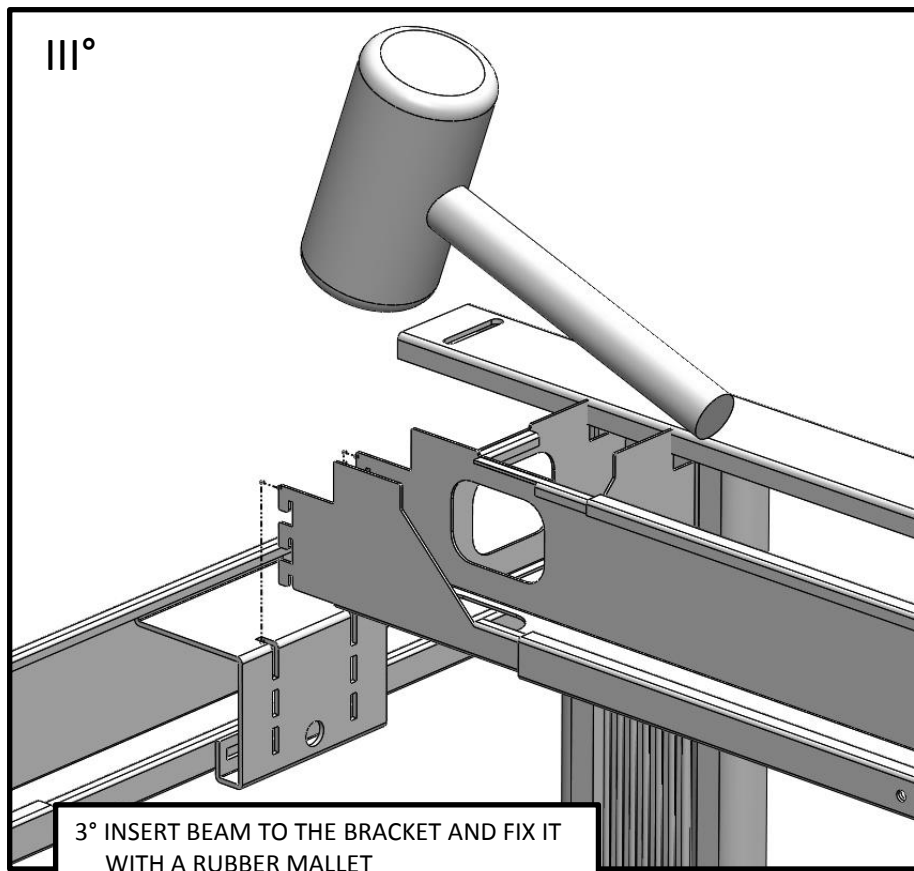
1° INSERT BRACKET TO THE BEAM

II°



2° SCREW THE BRACKET WITH BOLT AND FLANGE NUT

III°



3° INSERT BEAM TO THE BRACKET AND FIX IT WITH A RUBBER Mallet