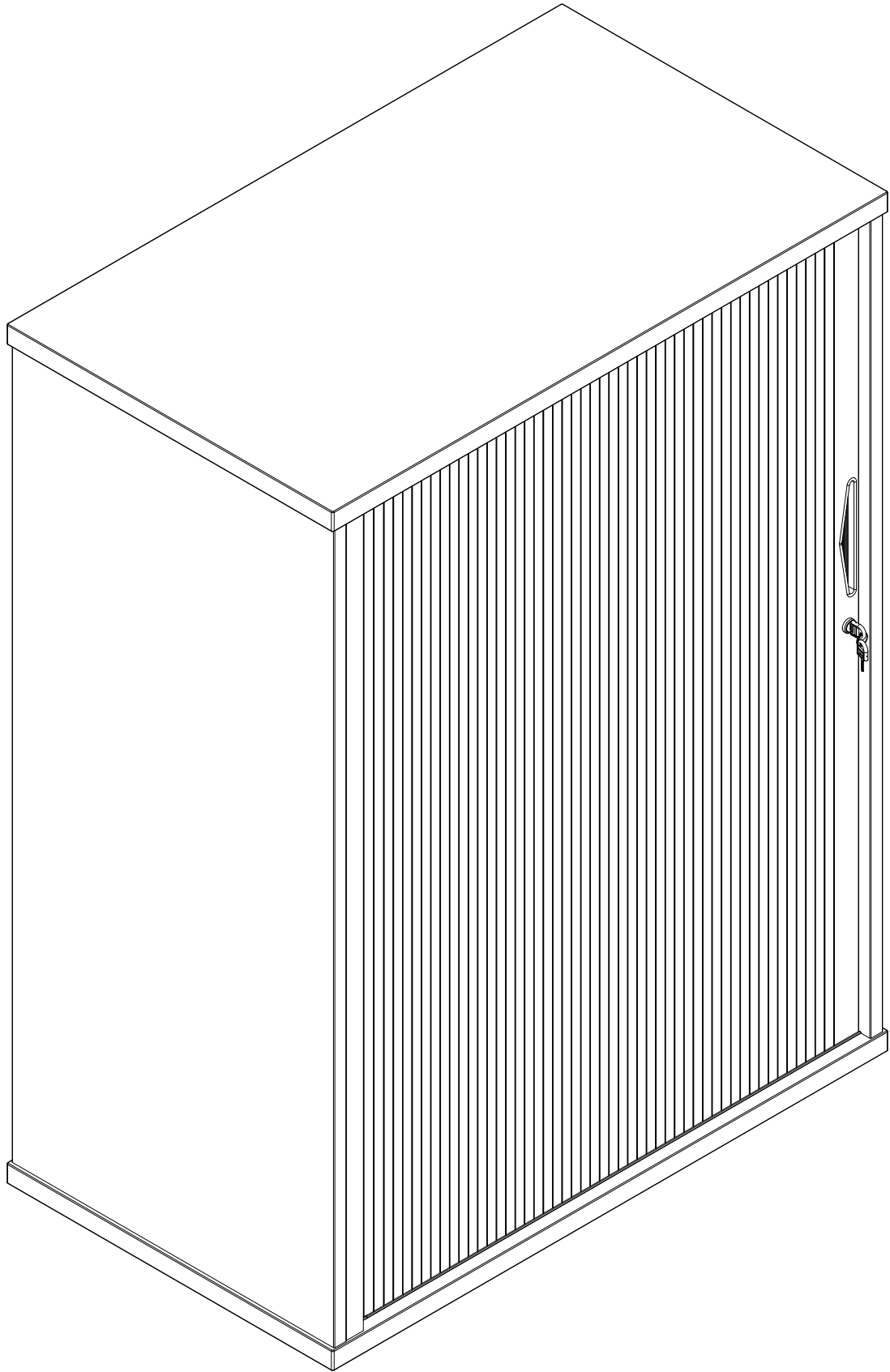




R1090TC

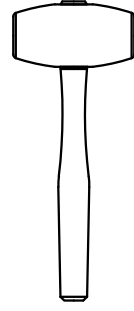
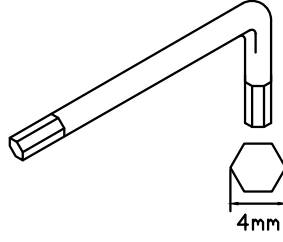
1090mm Economy Single Door Tambour Cupboard

Secondary Storage

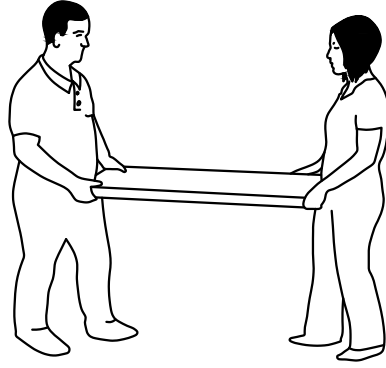
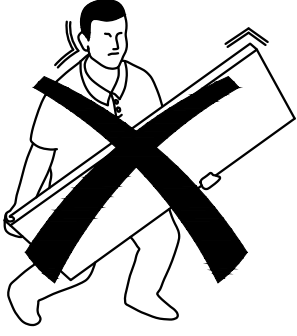


- 1**
ST-1090S
- 2**
ST-1090B
- 3**
ST-TBS
- 4**
Z11ST
- 5**
ST-2S

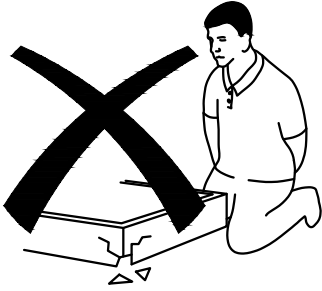
**TOOLS REQUIRED
FOR ASSEMBLY**



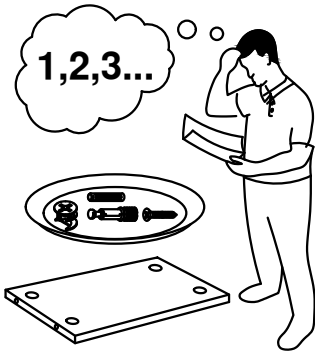
**DONT STRUGGLE
2 MAN LIFT**



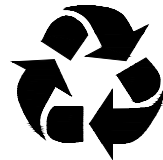
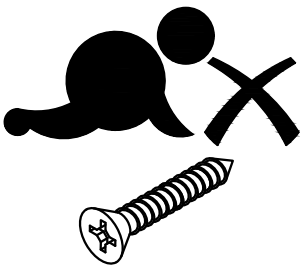
**ALWAYS HANDLE
ITEMS WITH CARE**



**IF UNSURE CALL
FOR ASSISTANCE**



**KEEP FITTINGS AWAY
FROM CHILDREN**



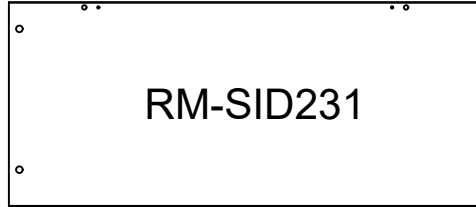
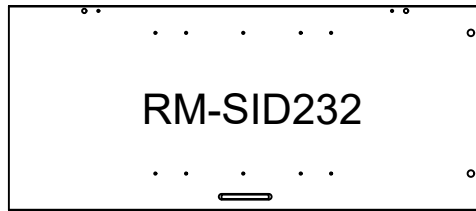


Please check that you have all the Components!



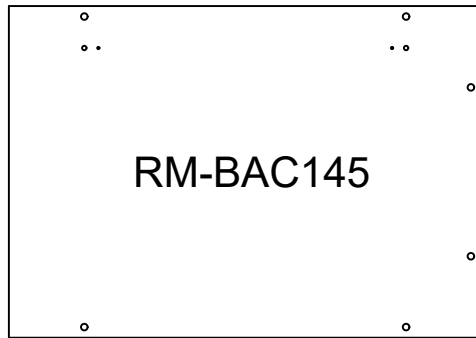
Pack Contents

- 1 x LH SIDE PANEL - (RM-SID231)
- 1 x RH SIDE PANEL - (RM-SID232)
- 1 x PARTITION PANEL - (RM-PRT017)
- 1 x FEET KIT - (RM-FIT251)
- 1 x HARDWARE KIT - (RM-FIT253)



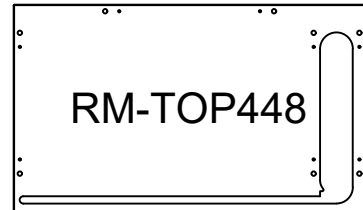
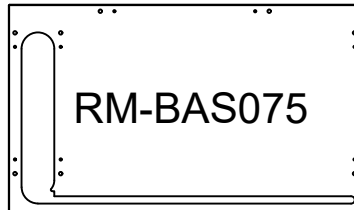
Pack Contents

- 1 x BACK PANEL - (RM-BAC145)



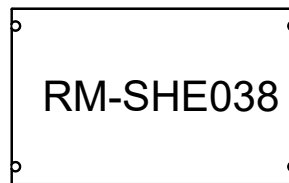
Pack Contents

- 1 x BASE PANEL - (RM-BAS075)
- 1 x TOP PANEL - (RM-TOP448)



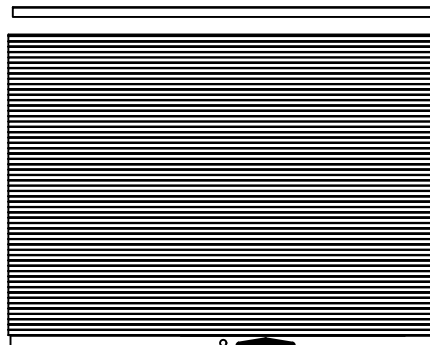
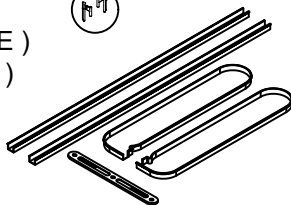
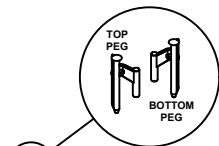
Pack Contents

- 2 x SHELF PANEL - (RM-SHE038)



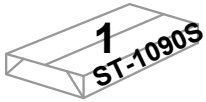
Pack Contents

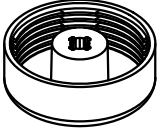


- 1 x TAMBOUR DOOR
- 2 x TAMBOUR TRACK
- 1 x TAMBOUR CARTRIDGE (BASE)
- 1 x TAMBOUR CARTRIDGE (TOP)
- 1 x DOOR STRIKE PLATE
- 1 x SLIDING DOOR TOP PEG
- 1 x SLIDING DOOR BOTTOM PEG




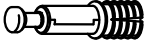







Please check that you have all the fittings!



4	Adjustable Foot Outer 	4	Adjustable Foot Inner 	8	3.5 x 12mm Wood Screw RM-SCR73 
---	------------------------------------------------------------------------------------------------------------	---	-------------------------------------------------------------------------------------------------------------	---	--------------------------------------------------------------------------------------------------------------------------

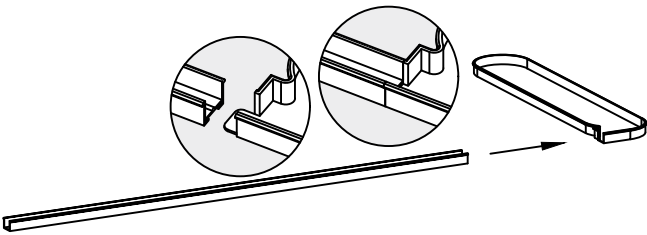


17	15mm Minifix Cam RM-CAM03 	17	24mm Quick fix pin RM-BLT006 	22	30mm Wood Dowel RM-WOW01 	15	3.5 x 12mm Screw RM-SCR73 
8	Titus Bung RM-BUN02 	8	Titus Pin RM-PIN007 	8	70mm Conformat RM-CFM02 		

1

Step 1
Join the top tambour cartridge to the straight length of tambour track.

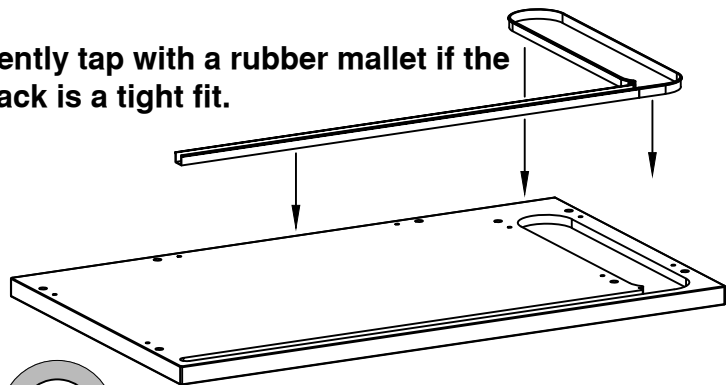
Ensure the tag on the cartridge is correctly inserted into the groove on the bottom of the track



2

Step 2
Once joined insert the assembled track into the recess on the top panel.

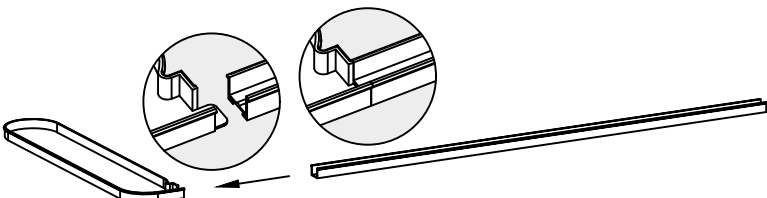
Gently tap with a rubber mallet if the track is a tight fit.



3

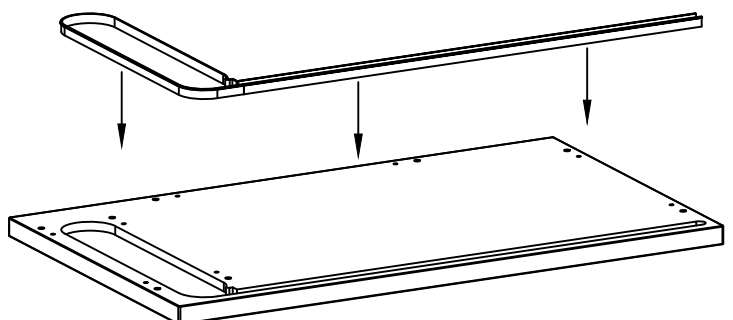
Step 3
Join the base tambour cartridge to the straight length of tambour track.

Ensure the tag on the cartridge is correctly inserted into the groove on the bottom of the track



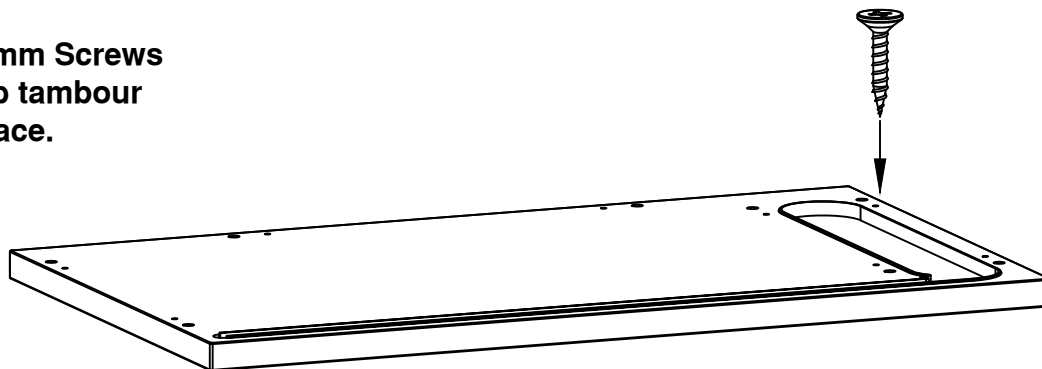
4

Step 4
Repeat Step 2 to insert the assembled track into the recess on the base panel.



5

Step 5
Use the 3.5 x 12mm Screws to secure the top tambour cartridge into place.



RM-SCR73



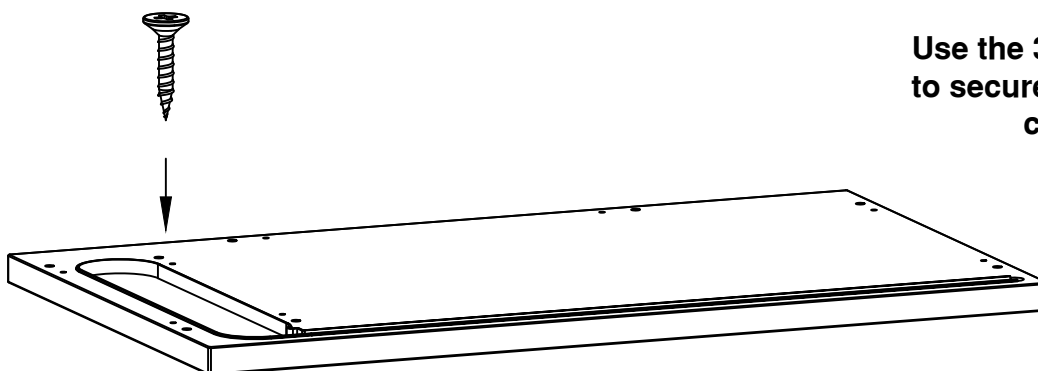
Qty 3

6

RM-SCR73



Qty 3

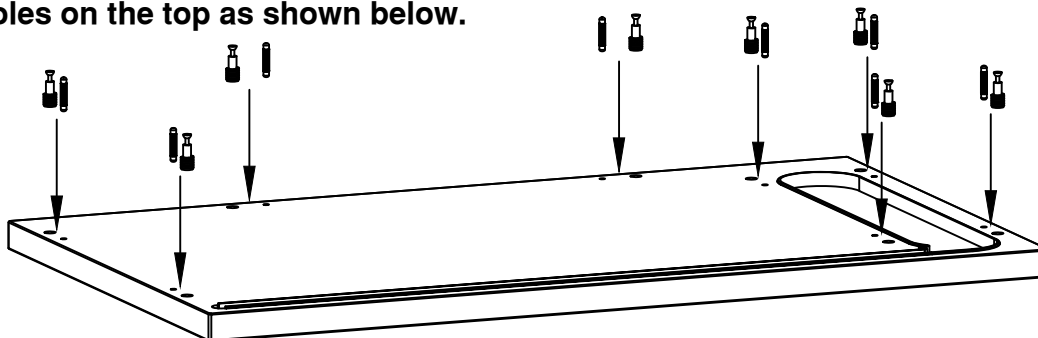


Step 6

Use the 3.5 x 12mm Screws to secure the base tambour cartridge into place.

7

Step 7
Insert quick fix pins and wood dowels into the pre drilled holes on the top as shown below.



RM-WOW01



Qty 8

RM-BLT006



Qty 8

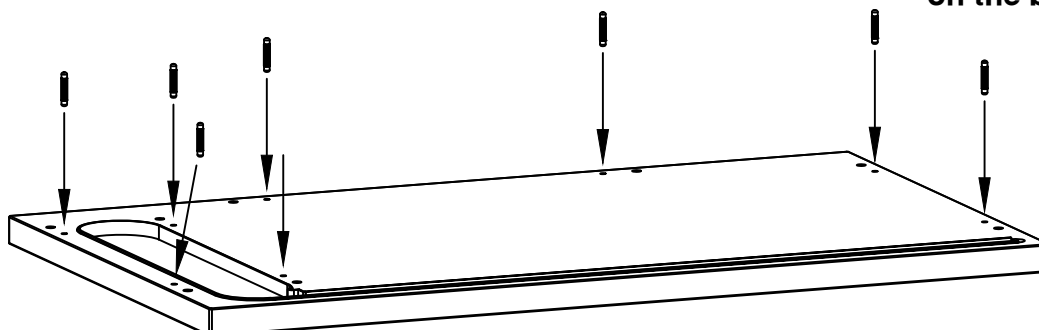
8

RM-WOW01



Qty 8




Step 8
Insert wood dowels into the pre drilled holes on the base as shown below.



9

Step 9
Insert Cams, quick fix pins and wood dowels into the pre drilled holes on the LH side panel.

See diagram A for details on inserting the cam fittings.

RM-CAM03  Qty 2	RM-WOW01  Qty 4	RM-BLT006  Qty 5
-----------------------------------------------------------------------------------------------------------------	-----------------------------------------------------------------------------------------------------------------	------------------------------------------------------------------------------------------------------------------

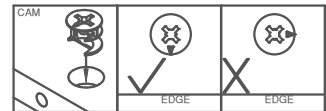
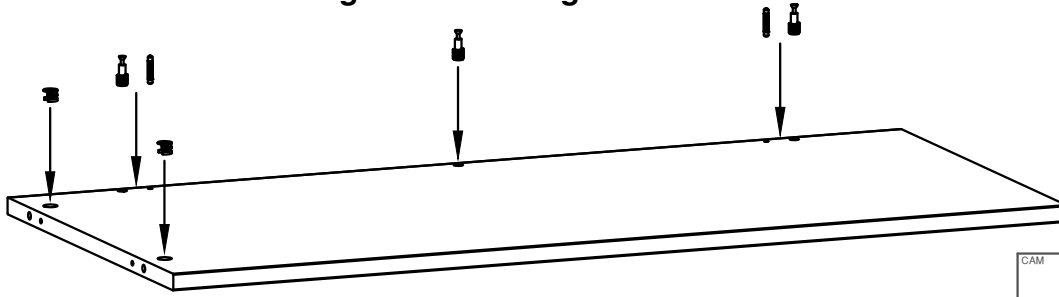





Diagram A
Insert the cam into the 'surface' hole with the arrow aimed at the adjacent edge which has the smaller hole.

10

Step 10
Insert Cams, quick fix pins and wood dowels into the pre drilled holes on the RH side panel.

See diagram A for details on inserting the cam fittings.

RM-CAM03  Qty 2	RM-WOW01  Qty 4	RM-BLT006  Qty 5
-----------------------------------------------------------------------------------------------------------------	-----------------------------------------------------------------------------------------------------------------	------------------------------------------------------------------------------------------------------------------

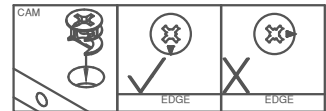
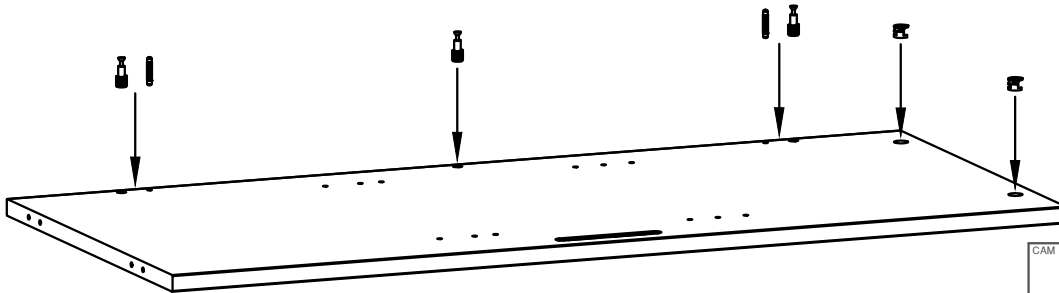


Diagram A
Insert the cam into the 'surface' hole with the arrow aimed at the adjacent edge which has the smaller hole.

11

Step 11
Insert Cams into the pre drilled holes on the partition.

See diagram A for details on inserting the cam fittings.

RM-CAM03  Qty 7

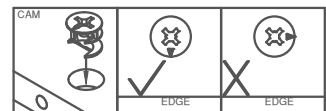
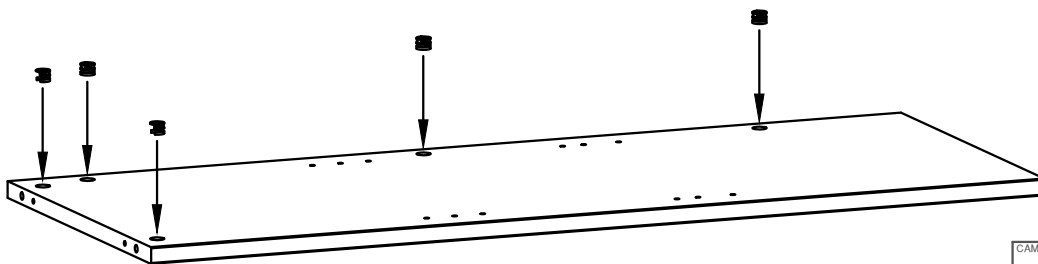





Diagram A
Insert the cam into the 'surface' hole with the arrow aimed at the adjacent edge which has the smaller hole.

12

Step 12
Insert Cams, quick fix pins and wood dowels into the pre drilled holes.

See diagram A for details on inserting the cam fittings.

RM-CAM03  Qty 6	RM-WOW01  Qty 2	RM-BLT006  Qty 2
-----------------------------------------------------------------------------------------------------------------	-----------------------------------------------------------------------------------------------------------------	------------------------------------------------------------------------------------------------------------------

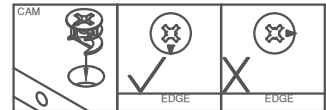
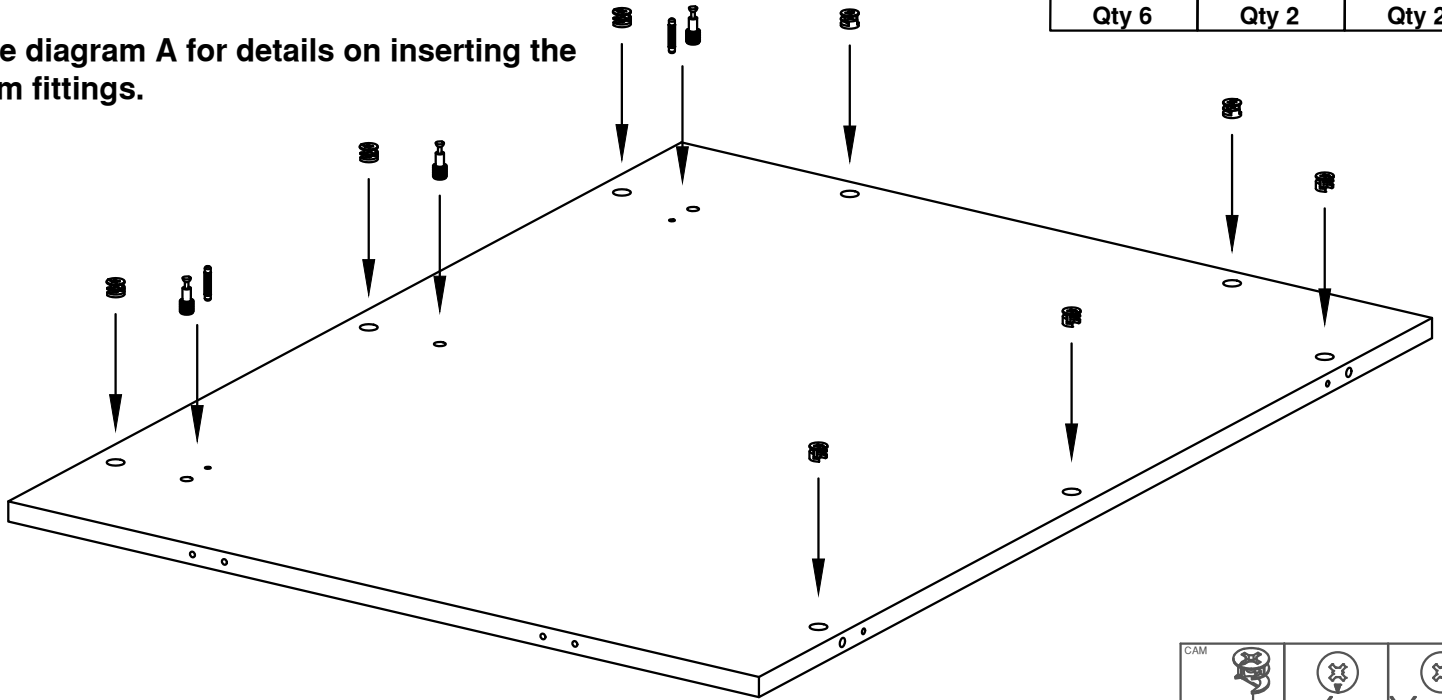
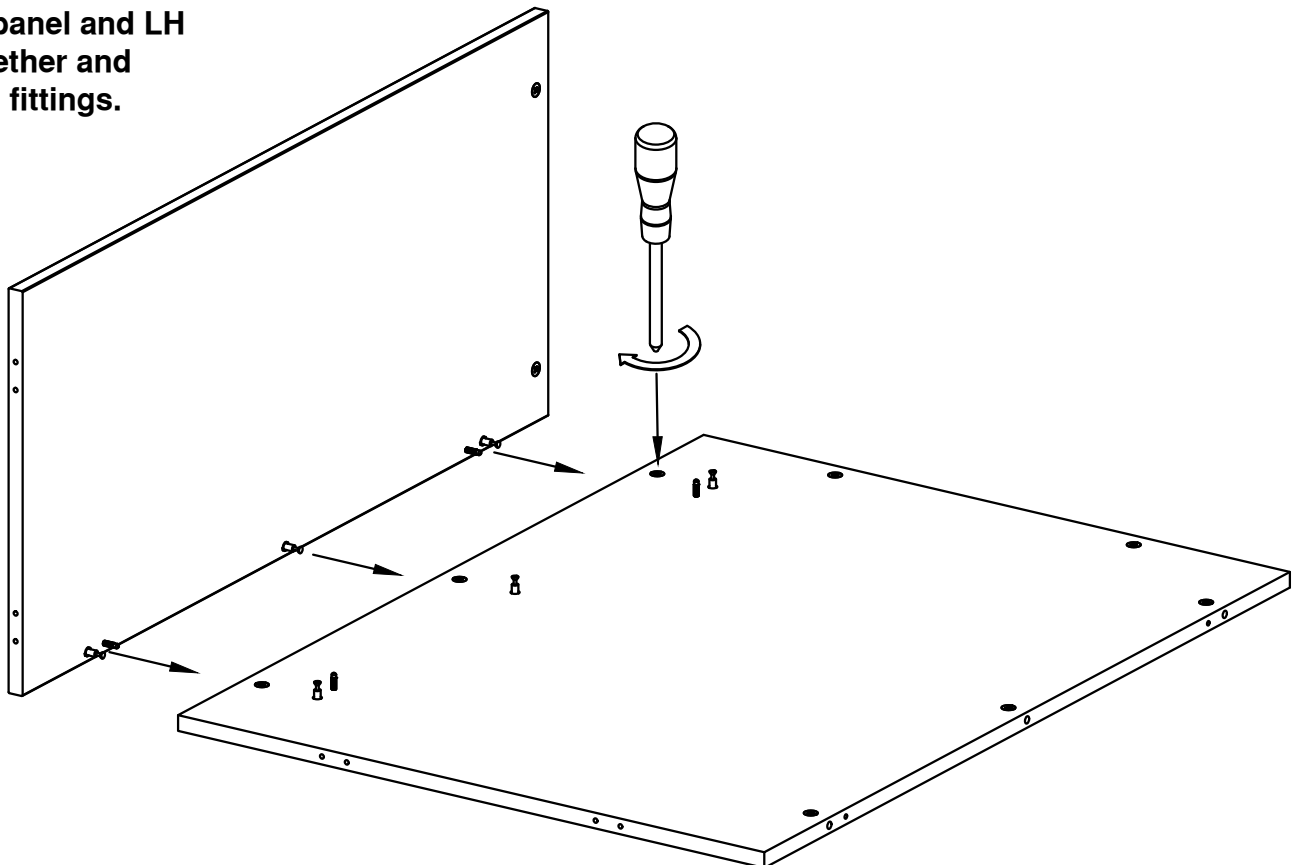


Diagram A
Insert the cam into the 'surface' hole with the arrow aimed at the adjacent edge which has the smaller hole.

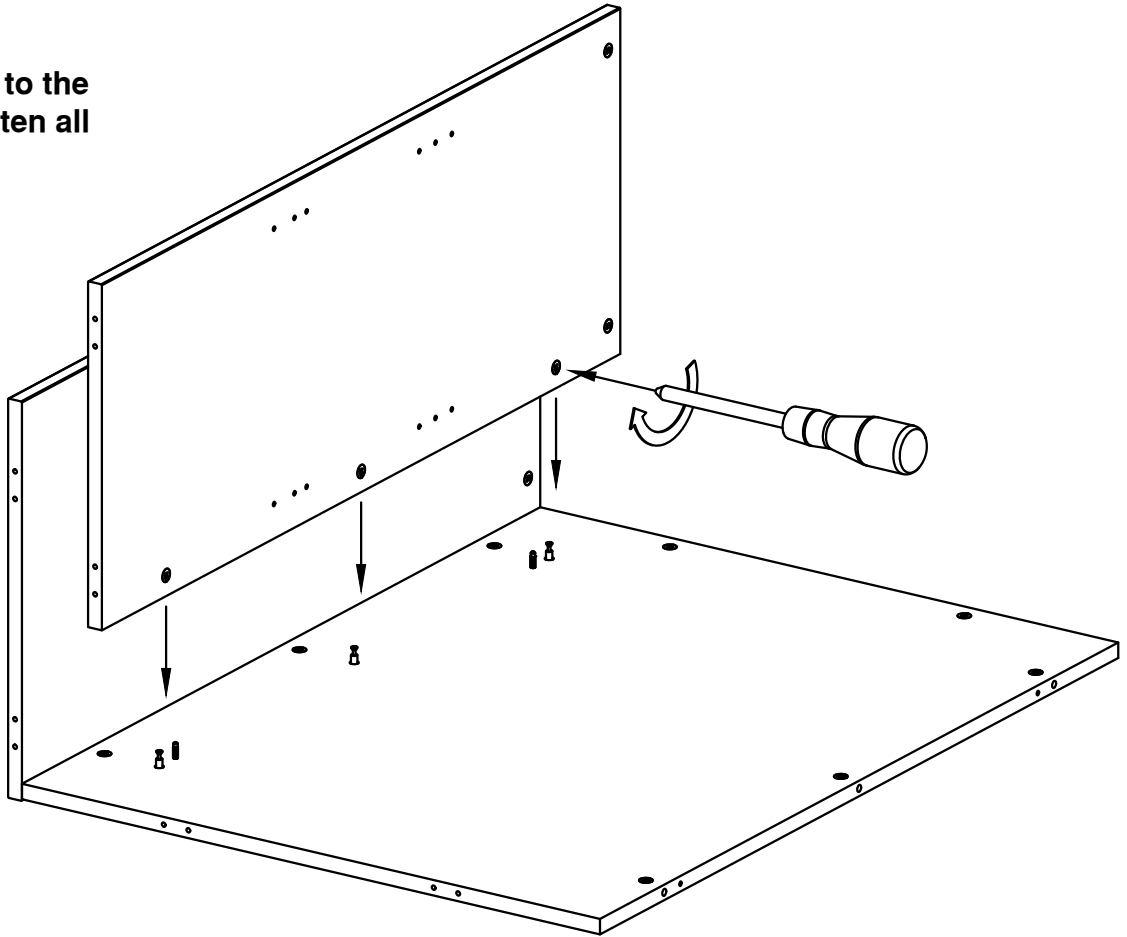
13

Step 13
Join the back panel and LH side panel together and tighten all cam fittings.



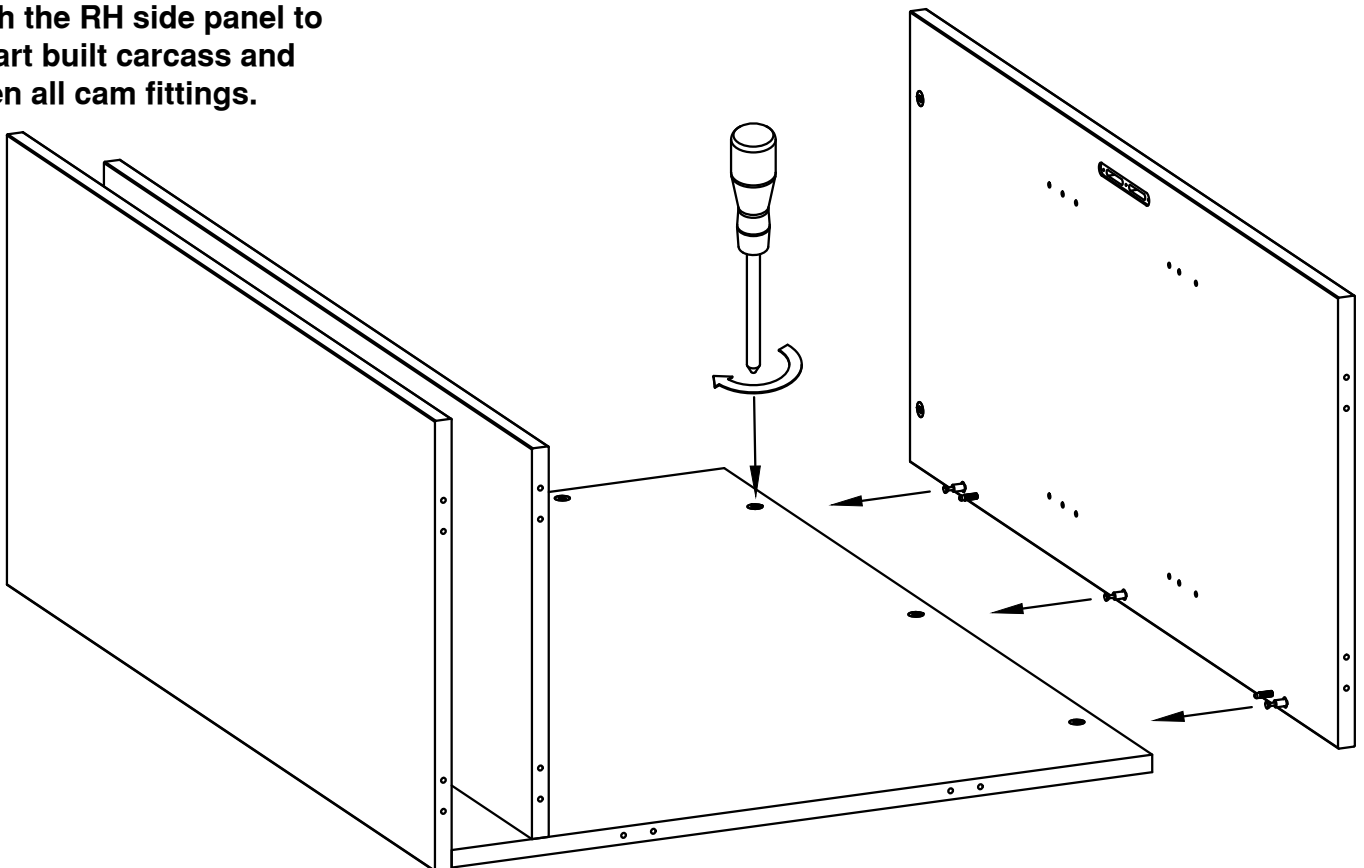
14

Step 14
Attach the partition to the back panel and tighten all cam fittings.



15

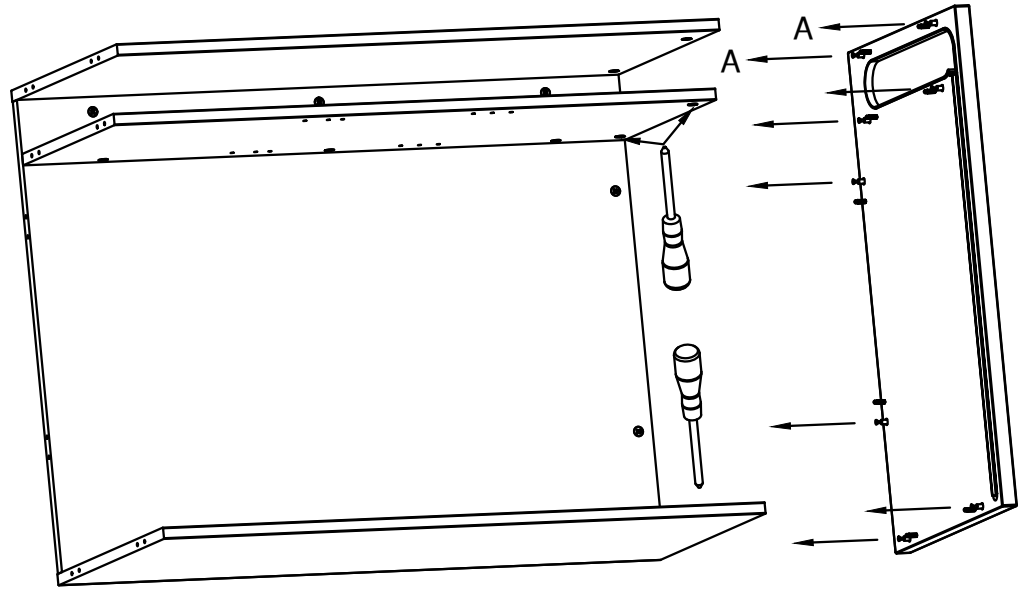
Step 15
Attach the RH side panel to the part built carcass and tighten all cam fittings.



16

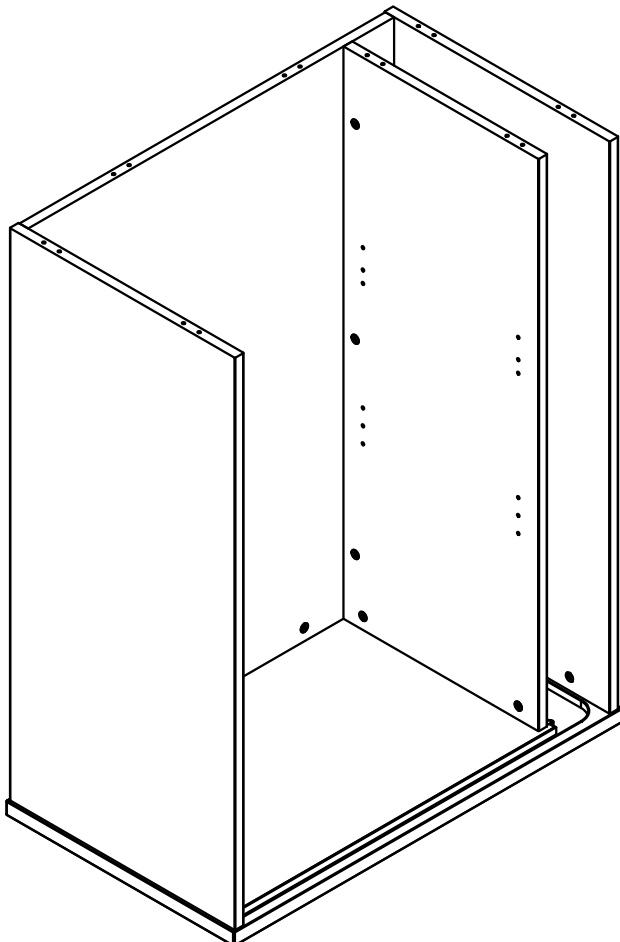
Step 16
Attach the top ensuring that all pins and dowels correctly locate into the fixing points.

Note:
Cams shown at point A are covered by the partition panel but can be tightened using the 4mm allen key that has been provided.



17

Step 17
Turn the unit onto its head ready to insert the door panel, ensure you are working on a clean dry surface to prevent any accidental damage to floor or cupboard.



18

Step 18
Insert the tambour door glide clips into each top and bottom of the end section of tambour (See diagram A) and then insert the door into the track in the top.

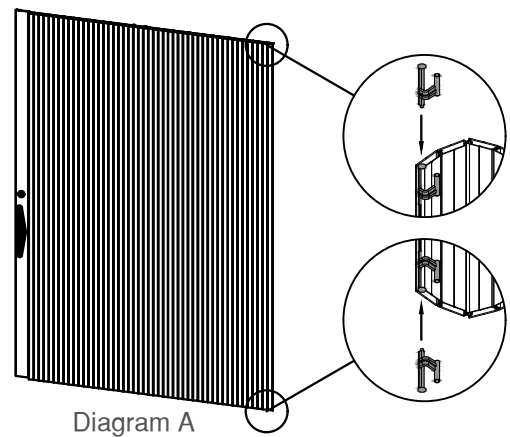
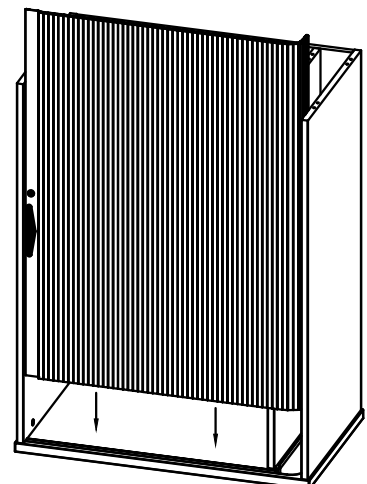
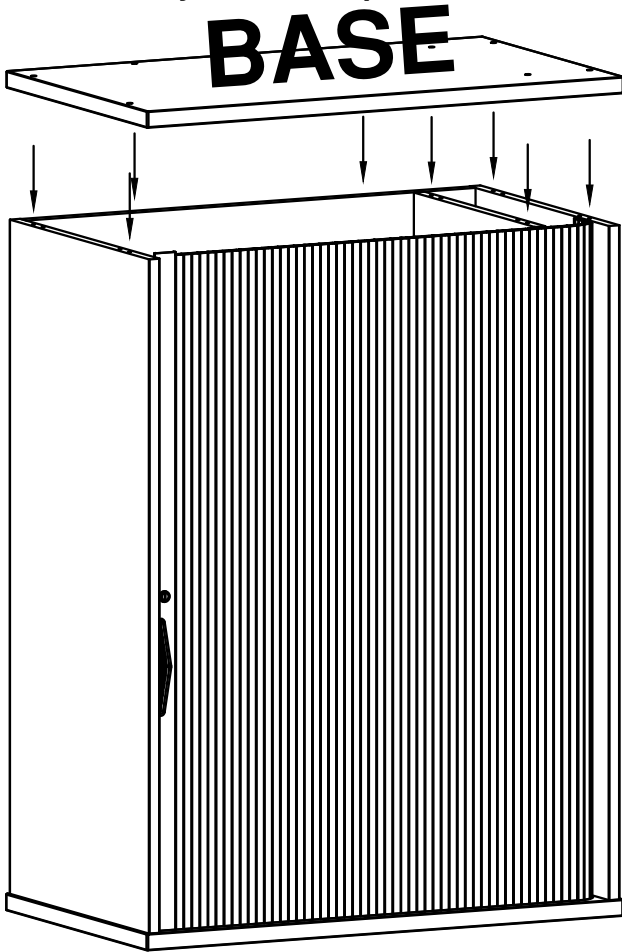


Diagram A



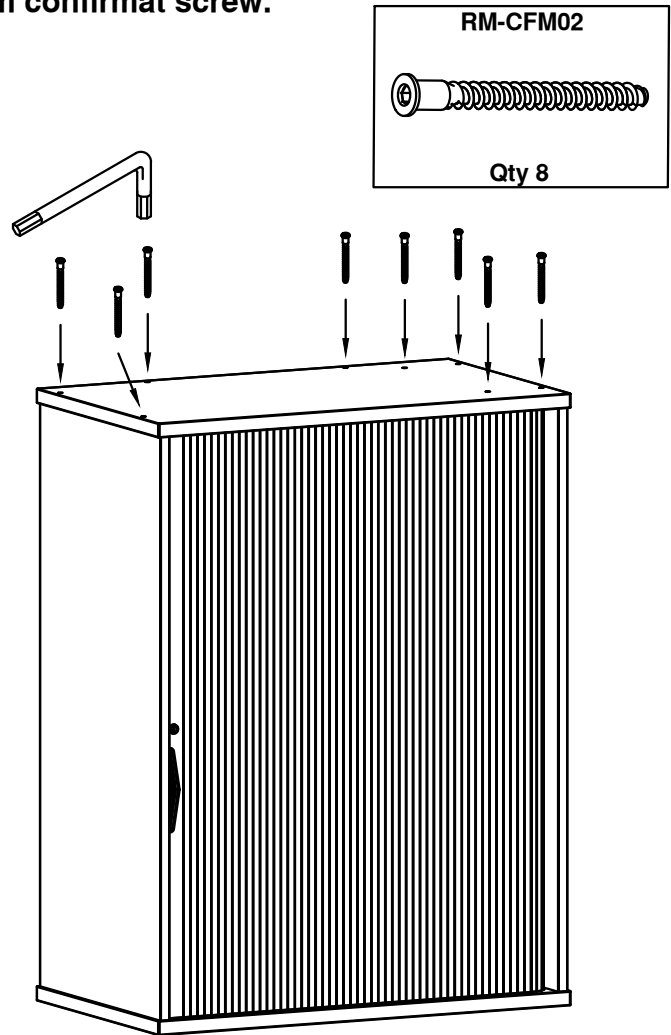
19

Step 19
Place the base panel onto the carcass ensuring that the door locates into the track and the wood dowels correctly fit into the pre drilled holes.



20

Step 20
Connect the base to the carcass using the 70mm confirmat screw.

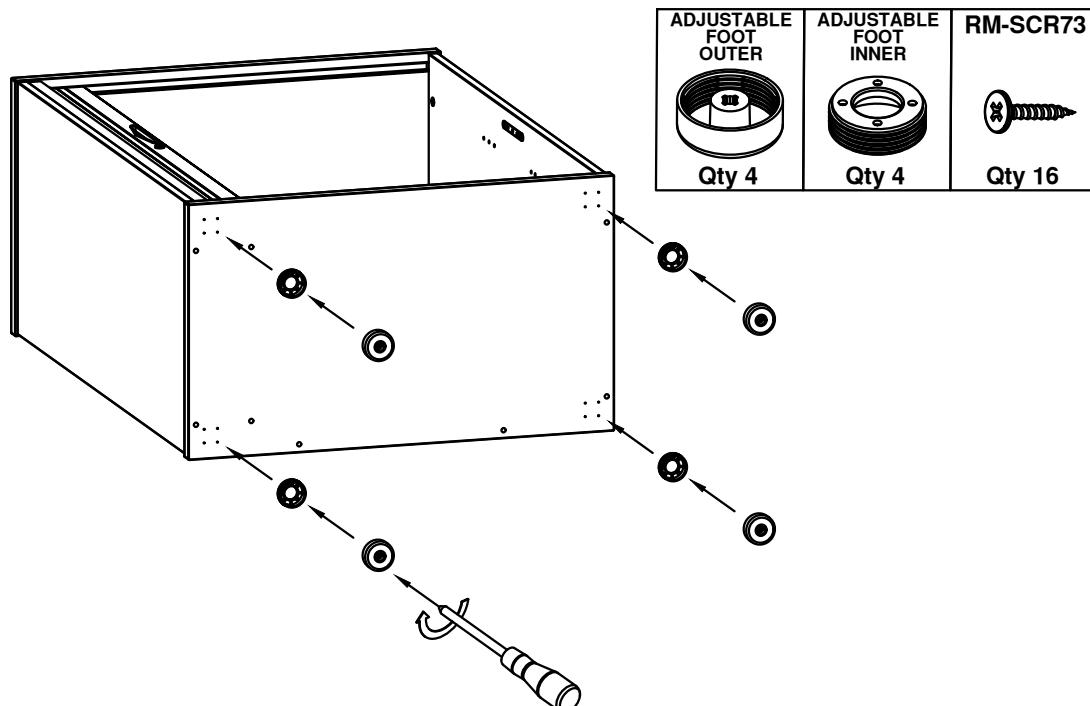


21

Step 21
Once the base is attached lie the unit on its back and attach the 4 adjustable foot levellers.

Note:
These fittings are supplied in 2 parts, firstly fix the inner housing to the base with the 3.5x12mm wood screws before screwing on the outer housing.

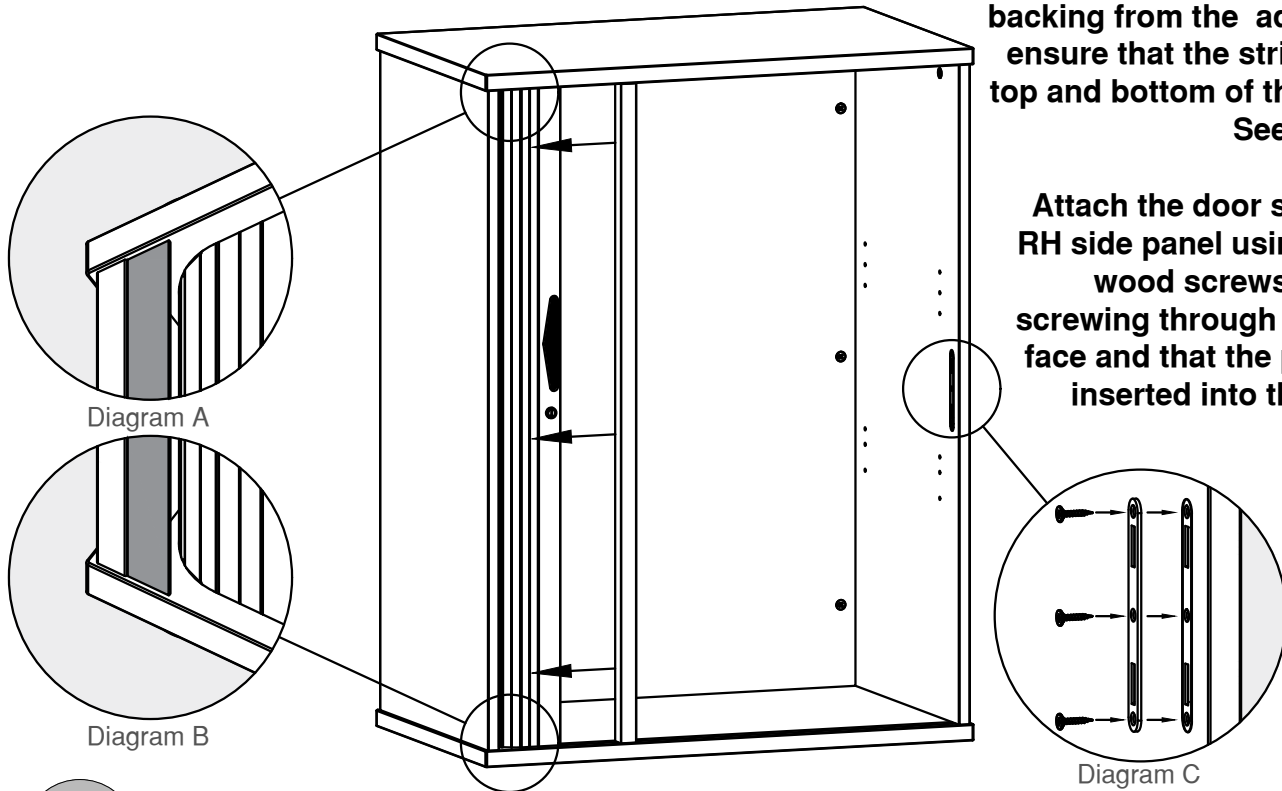
Once attached return the unit to its upright position.



Step 22

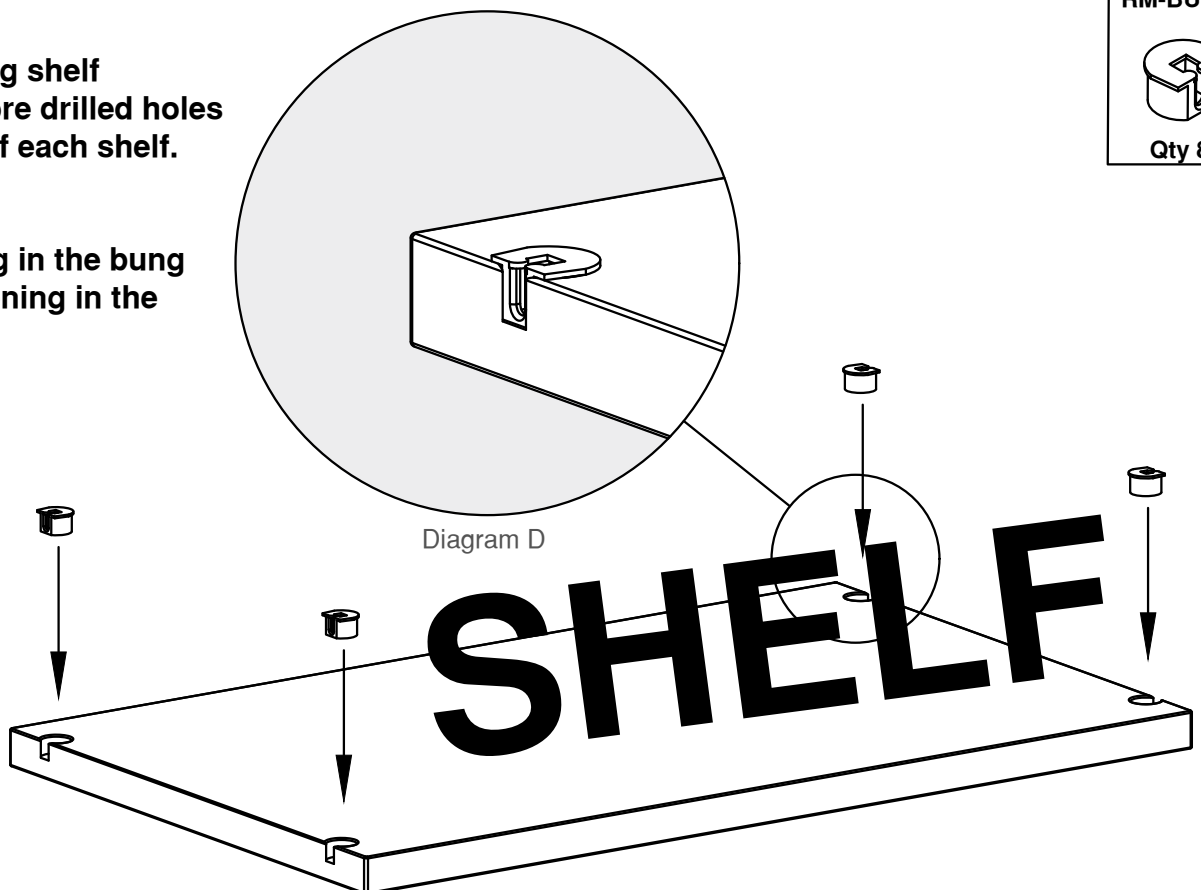
Attach the plastic finishing trim to the LH side panel. Remove the backing from the adhesive strip and ensure that the strip is aligned with top and bottom of the LH side panel. See diagrams A & B

Attach the door strike plate to the RH side panel using the 3.5x12mm wood screws, ensure you are screwing through the countersunk face and that the plate is correctly inserted into the recessed slot. See diagram C



Step 23
Insert the titus bung shelf supports into the pre drilled holes on the underside of each shelf.

Note:
Ensure the opening in the bung aligns with the opening in the edge of the shelf.
See Diagram D



RM-BUN02

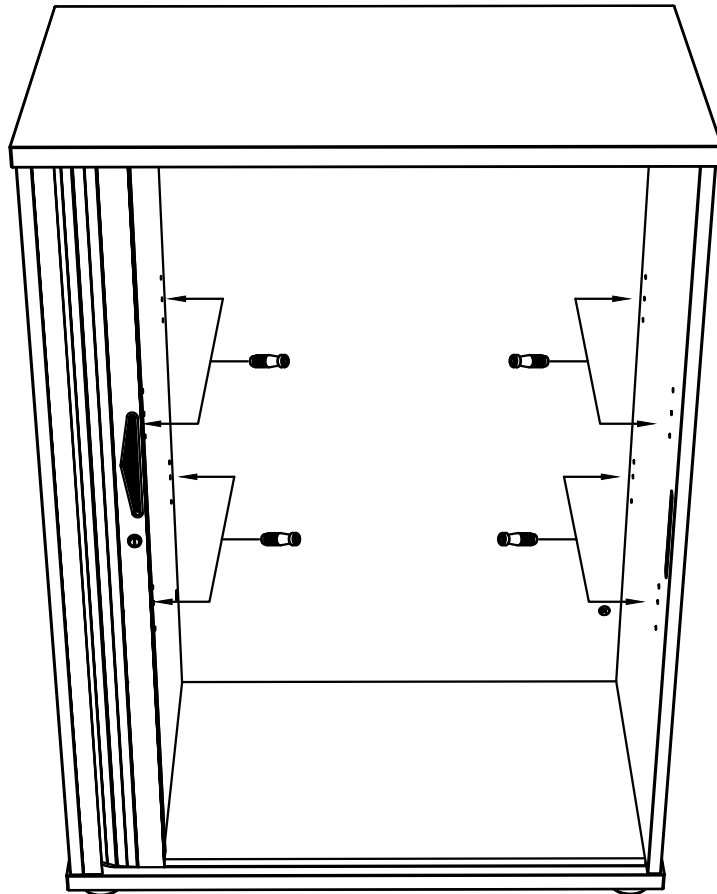


Qty 8

24

Step 24
Screw in the shelf fixing pins, ensure the fixings points are inserted at the same height on both partition and side panel.

Note:
there is a selection of fixing points that can be used to create different sized openings.



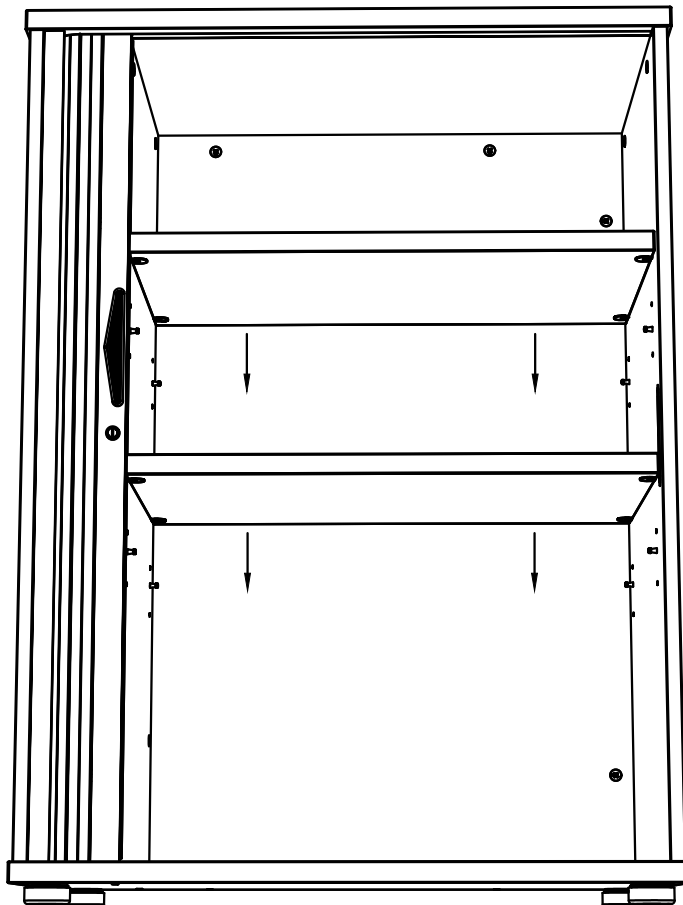
RM-PIN007



Qty 8

25

Step 25
Insert the shelves into the cupboard, ensure that the shelf support bungs fully engage into the shelf pin, they may need to be lightly knocked down to ensure the fittings are fully engaged.

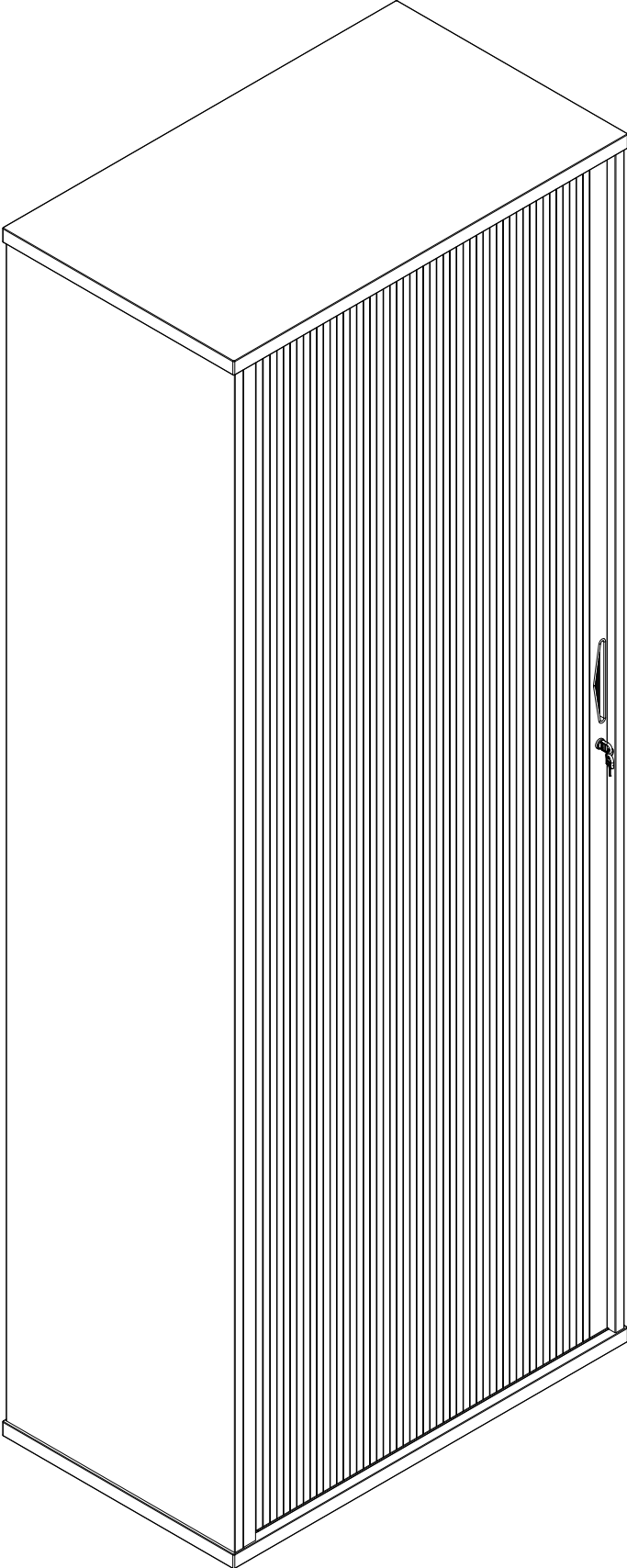




R2140TC

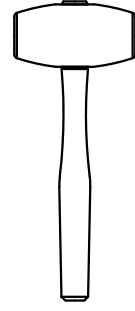
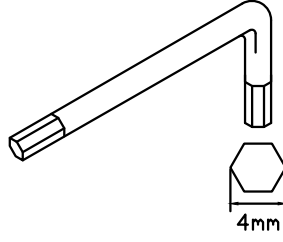
2140mm Economy Single Door Tambour Cupboard

Secondary Storage

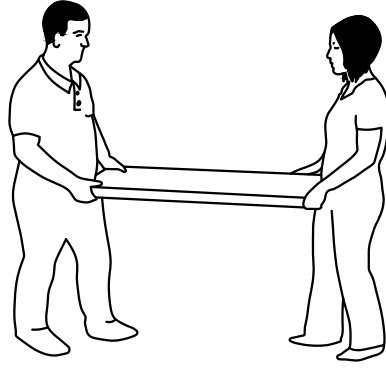
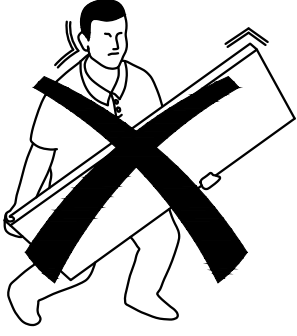


- 1 ST-2140S
- 2 ST-2140B
- 3 ST-TBS
- 4 ST-2S
- 5 ST-3S
- 6 Z21ST

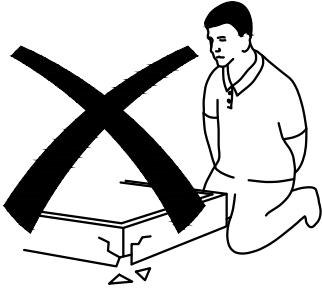
**TOOLS REQUIRED
FOR ASSEMBLY**



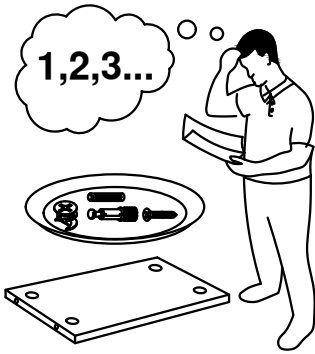
**DONT STRUGGLE
2 MAN LIFT**



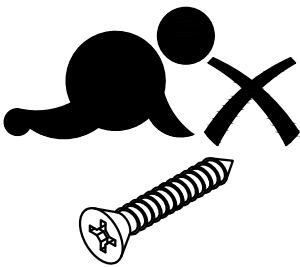
**ALWAYS HANDLE
ITEMS WITH CARE**



**IF UNSURE CALL
FOR ASSISTANCE**



**KEEP FITTINGS AWAY
FROM CHILDREN**



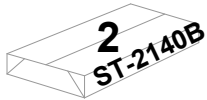
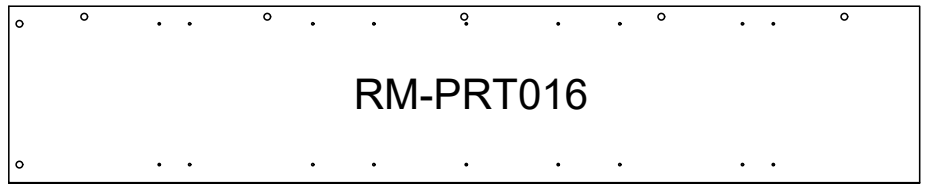
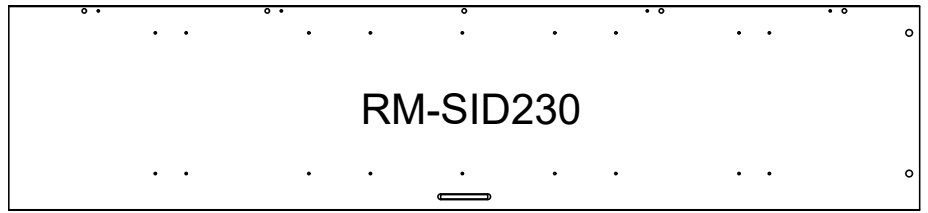


Please check that you have all the Components!



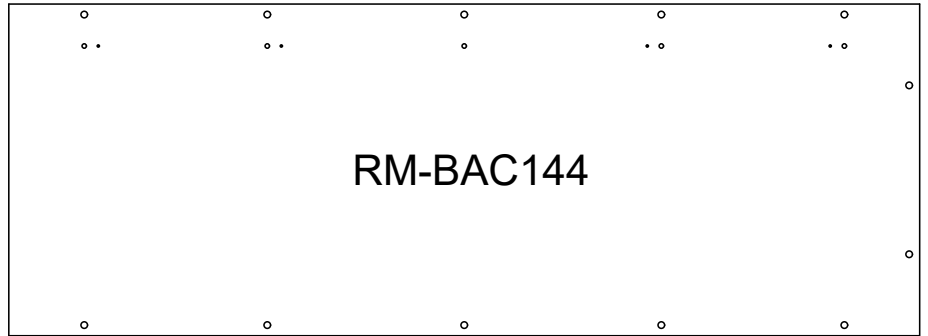
Pack Contents

- 1 x LH SIDE PANEL - (RM-SID229)
- 1 x RH SIDE PANEL - (RM-SID230)
- 1 x PARTITION PANEL - (RM-PRT016)
- 1 x FEET KIT - (RM-FIT251)
- 1 x HARDWARE KIT - (RM-FIT252)



Pack Contents

- 1 x BACK PANEL - (RM-BAC144)



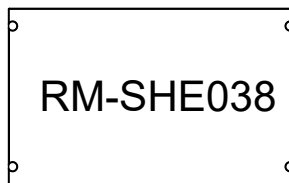
Pack Contents

- 1 x BASE PANEL - (RM-BAS075)
- 1 x TOP PANEL - (RM-TOP448)



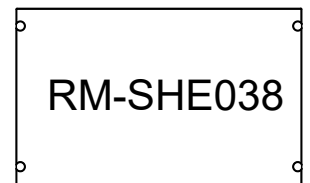
Pack Contents

- 2 x SHELF PANEL - (RM-SHE038)



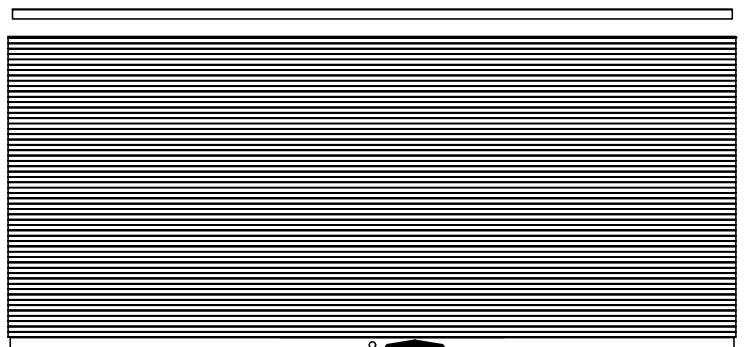
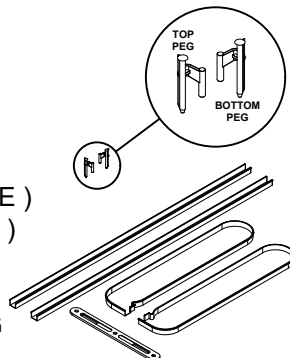
Pack Contents

- 3 x SHELF PANEL - (RM-SHE038)



Pack Contents

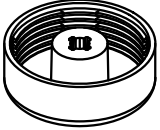
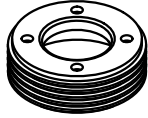

- 1 x TAMBOUR DOOR
- 2 x TAMBOUR TRACK
- 1 x TAMBOUR CARTRIDGE (BASE)
- 1 x TAMBOUR CARTRIDGE (TOP)
- 1 x DOOR STRIKE PLATE
- 1 x SLIDING DOOR TOP PEG
- 1 x SLIDING DOOR BOTTOM PEG












Please check that you have all the fittings!



4	Adjustable Foot Outer 	4	Adjustable Foot Inner 	8	3.5 x 12mm Wood Screw RM-SCR73 
----------	------------------------------------------------------------------------------------------------------------	----------	-------------------------------------------------------------------------------------------------------------	----------	--------------------------------------------------------------------------------------------------------------------------

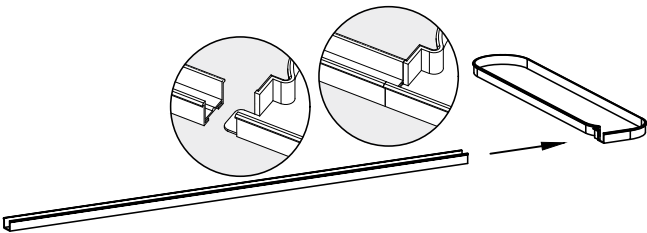


20	15mm Minifix Cam RM-CAM03 	20	24mm Quick fix pin RM-BLT006 	28	30mm Wood Dowel RM-WOW01 	15	3.5 x 12mm Screw RM-SCR73 
20	Titus Bung RM-BUN02 	20	Titus Pin RM-PIN007 	8	70mm Conformat RM-CFM02 		

1

Step 1
Join the top tambour cartridge to the straight length of tambour track.

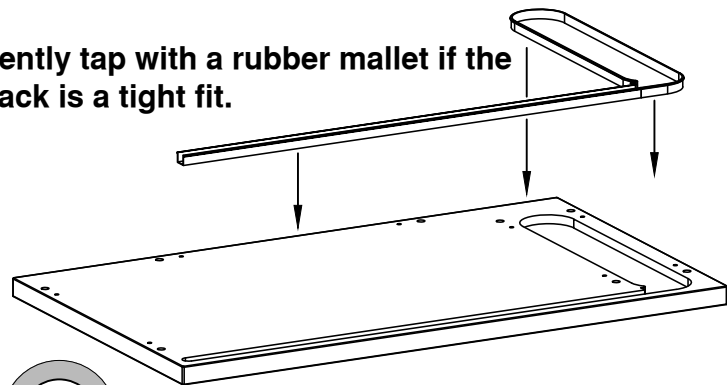
Ensure the tag on the cartridge is correctly inserted into the groove on the bottom of the track



2

Step 2
Once joined insert the assembled track into the recess on the top panel.

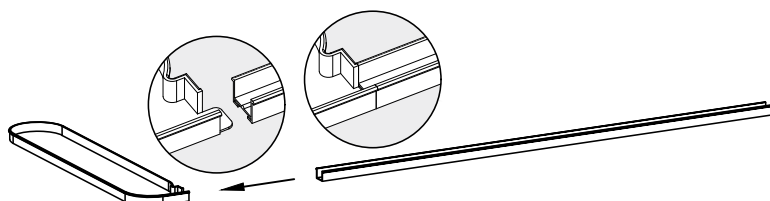
Gently tap with a rubber mallet if the track is a tight fit.



3

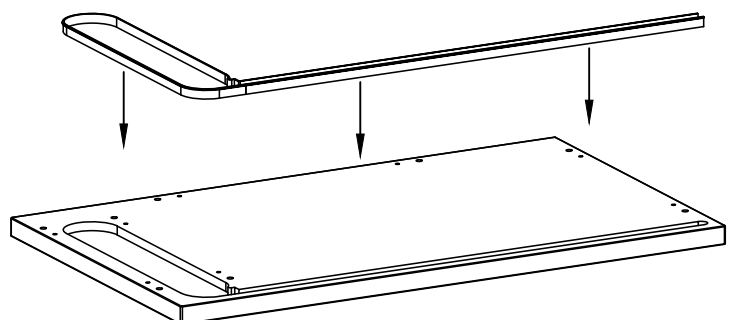
Step 3
Join the base tambour cartridge to the straight length of tambour track.

Ensure the tag on the cartridge is correctly inserted into the groove on the bottom of the track



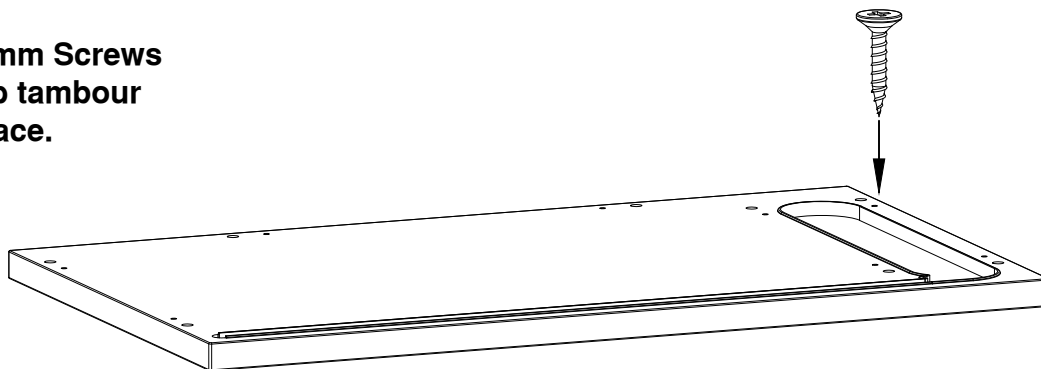
4

Step 2
Repeat Step 2 to insert the assembled track into the recess on the base panel.



5

Step 5
Use the 3.5 x 12mm Screws to secure the top tambour cartridge into place.



RM-SCR73



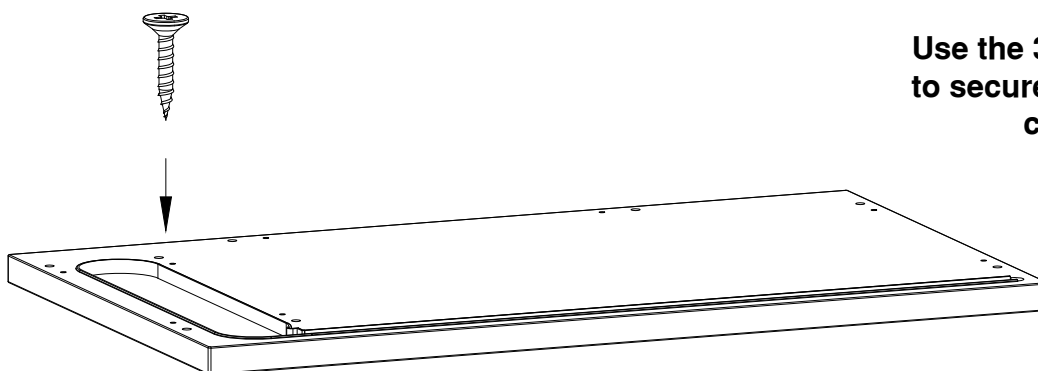
Qty 3

6

RM-SCR73



Qty 3



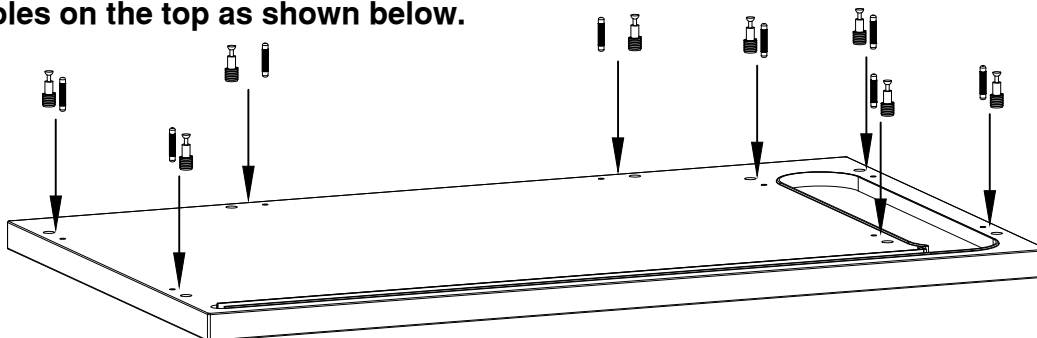
Step 6

Use the 3.5 x 12mm Screws to secure the base tambour cartridge into place.

*

7

Step 7
Insert quick fix pins and wood dowels into the pre drilled holes on the top as shown below.

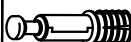


RM-WOW01



Qty 8

RM-BLT006



Qty 8

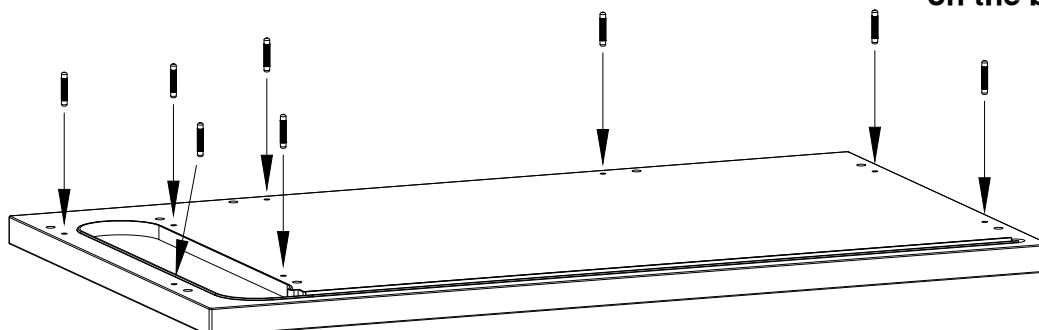
8

RM-WOW01



Qty 8



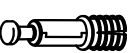
Step 8
Insert wood dowels into the pre drilled holes on the base as shown below.



9

Step 9
Insert Cams, quick fix pins and wood dowels into the pre drilled holes on the LH side panel.

See diagram A for details on inserting the cam fittings.

RM-CAM03  Qty 2	RM-WOW01  Qty 4	RM-BLT006  Qty 5
-----------------------------------------------------------------------------------------------------------------	-----------------------------------------------------------------------------------------------------------------	------------------------------------------------------------------------------------------------------------------

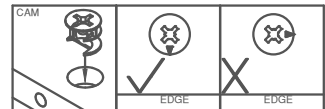
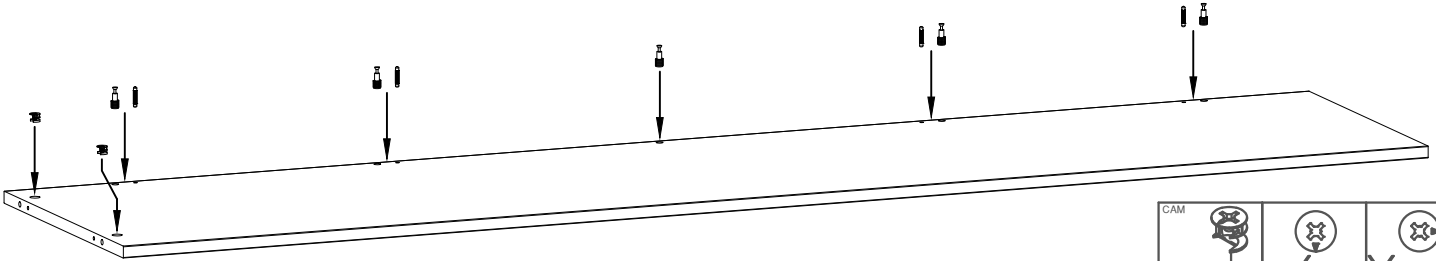


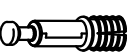


Diagram A
Insert the cam into the 'surface' hole with the arrow aimed at the adjacent edge which has the smaller hole.

10

Step 10
Insert Cams, quick fix pins and wood dowels into the pre drilled holes on the RH side panel.

See diagram A for details on inserting the cam fittings.

RM-CAM03  Qty 2	RM-WOW01  Qty 4	RM-BLT006  Qty 5
-----------------------------------------------------------------------------------------------------------------	-----------------------------------------------------------------------------------------------------------------	------------------------------------------------------------------------------------------------------------------

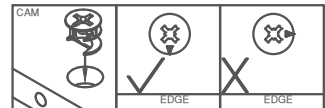
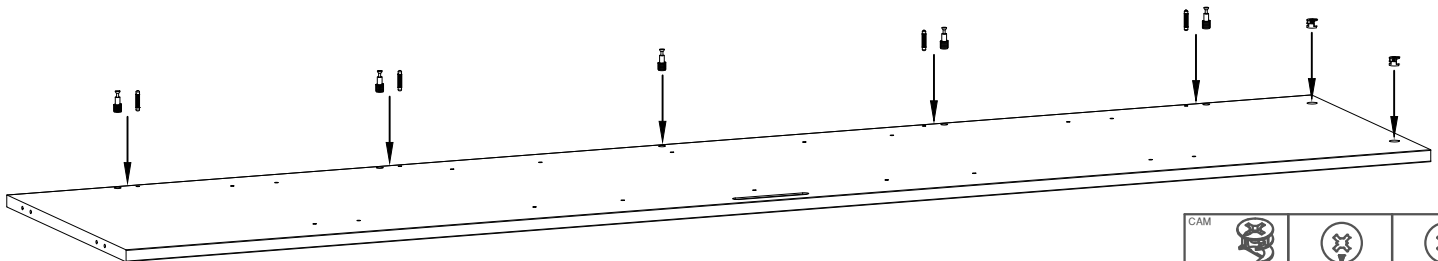


Diagram A
Insert the cam into the 'surface' hole with the arrow aimed at the adjacent edge which has the smaller hole.

11

Step 11
Insert Cams into the pre drilled holes on the partition.

See diagram A for details on inserting the cam fittings.

RM-CAM03  Qty 7

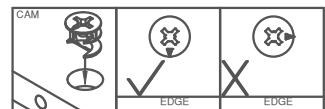
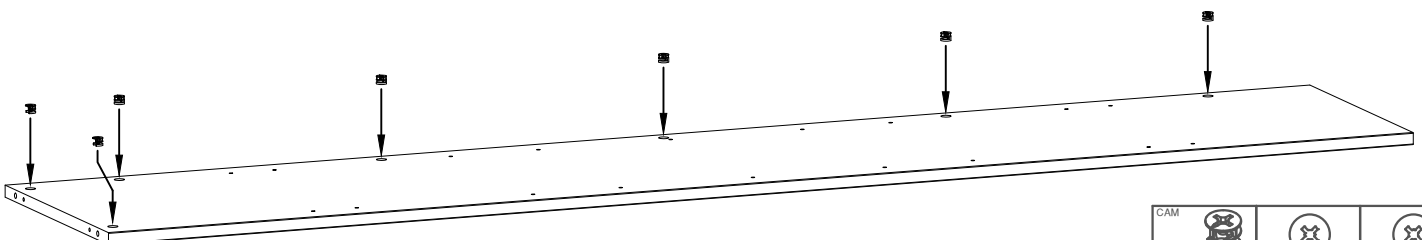


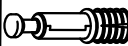


Diagram A
Insert the cam into the 'surface' hole with the arrow aimed at the adjacent edge which has the smaller hole.

12

Step 12
Insert Cams, quick fix pins and wood dowels into the pre drilled holes.

See diagram A for details on inserting the cam fittings.

RM-CAM03  Qty 12	RM-WOW01  Qty 4	RM-BLT006  Qty 5
------------------------------------------------------------------------------------------------------------------	-----------------------------------------------------------------------------------------------------------------	------------------------------------------------------------------------------------------------------------------

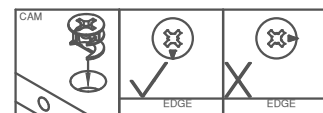
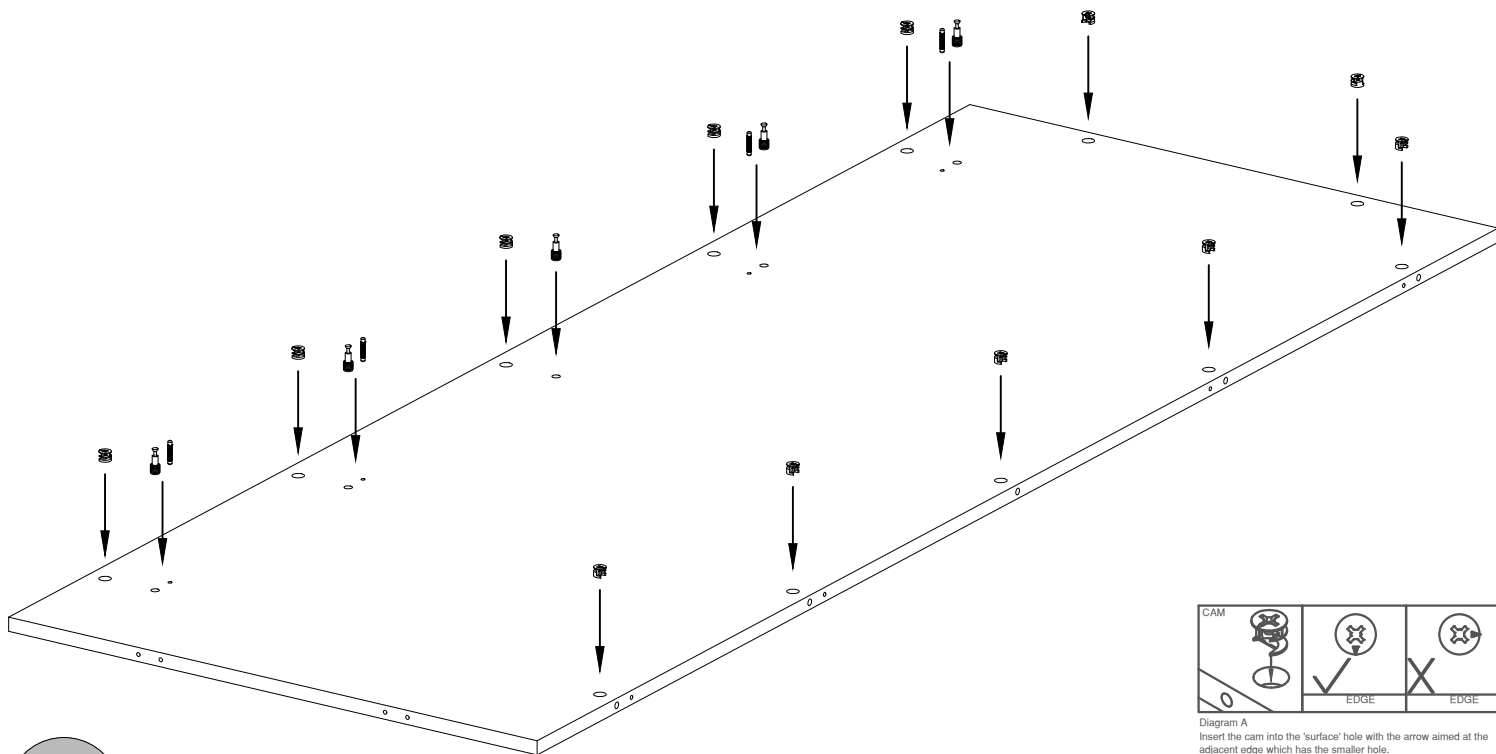
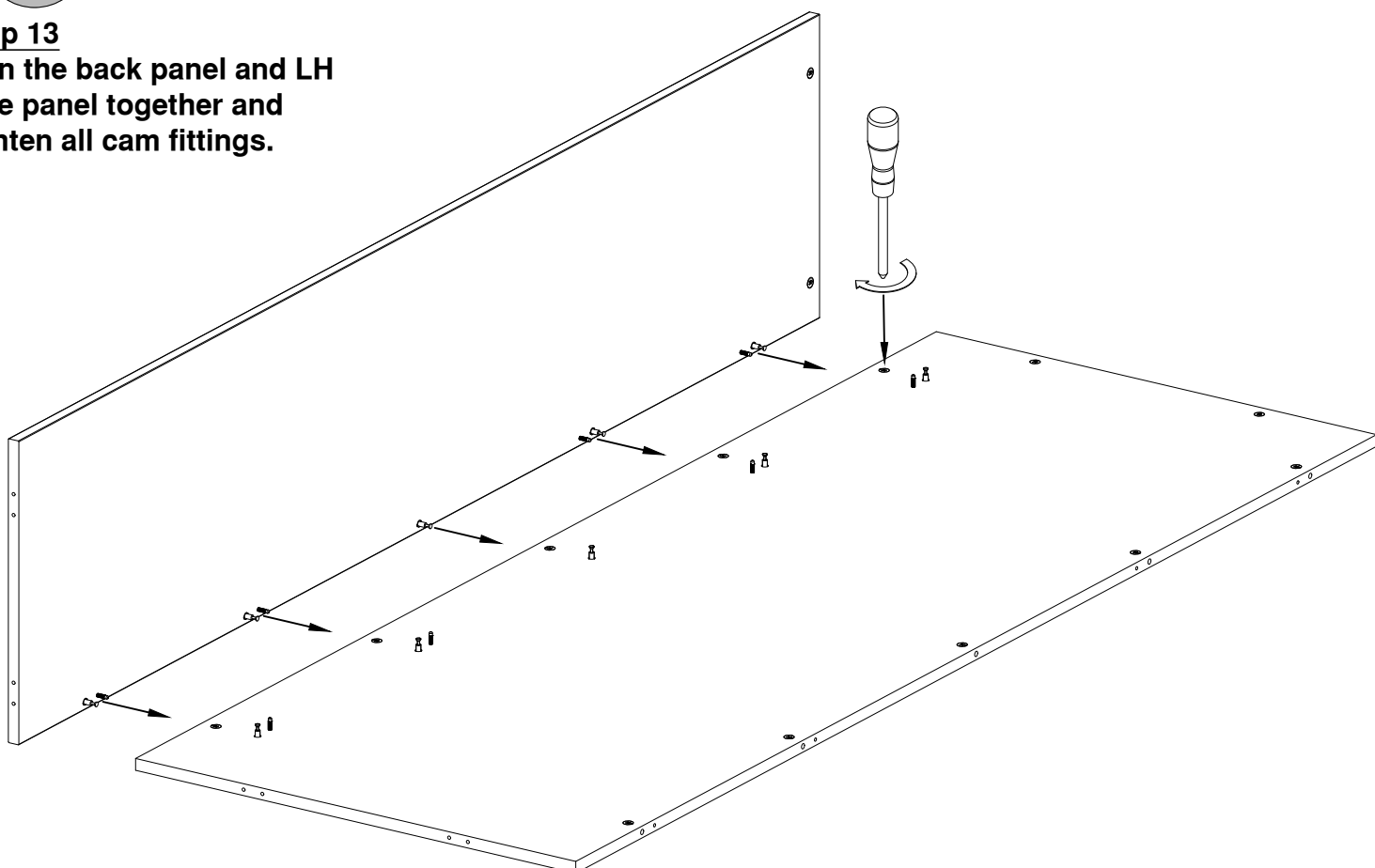


Diagram A
Insert the cam into the 'surface' hole with the arrow aimed at the adjacent edge which has the smaller hole.

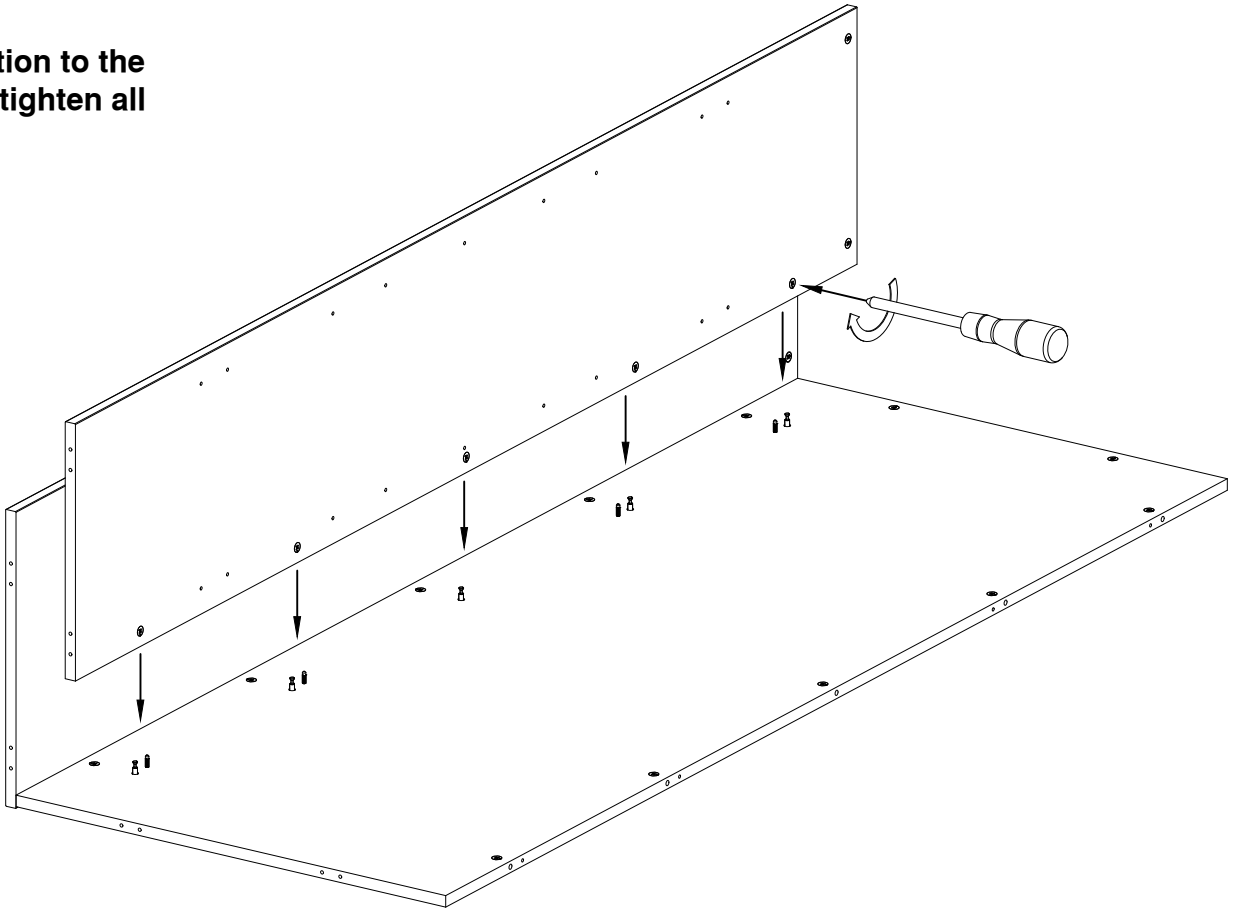
13

Step 13
Join the back panel and LH side panel together and tighten all cam fittings.



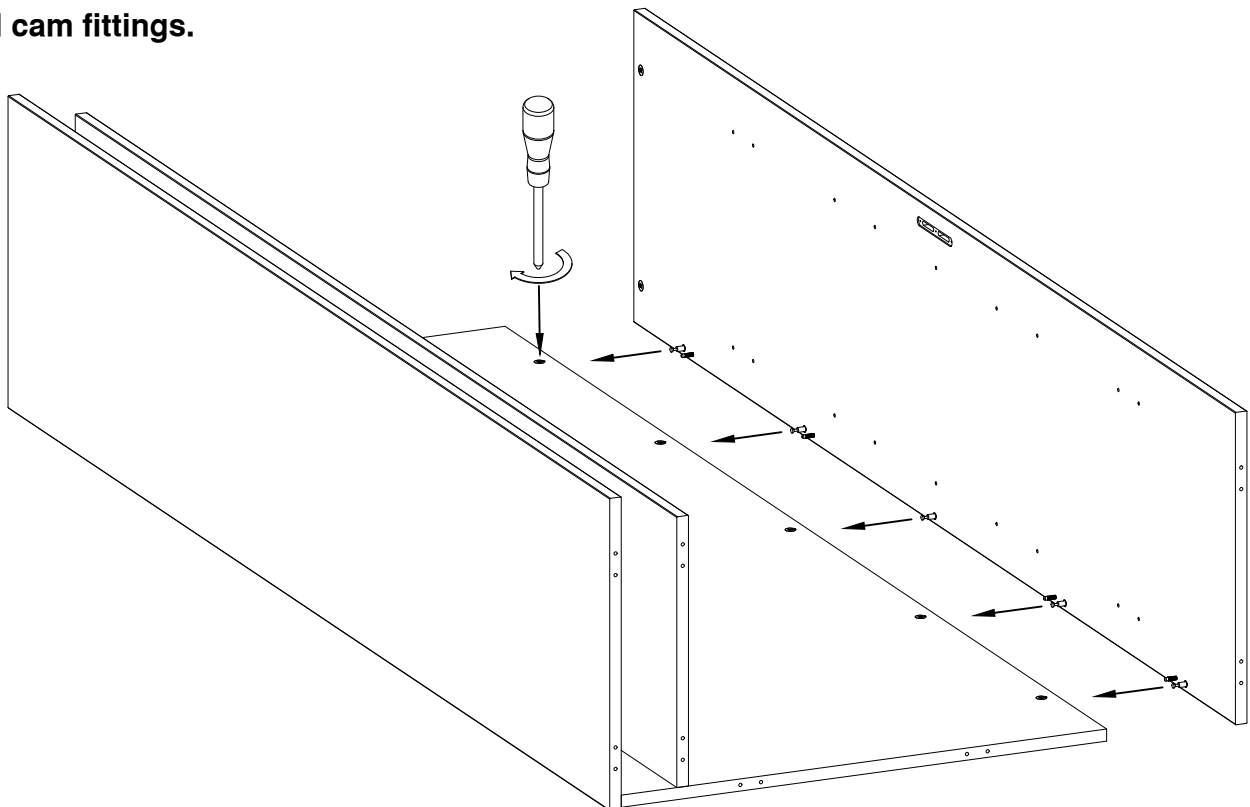
14

Step 14
Attach the partition to the back panel and tighten all cam fittings.



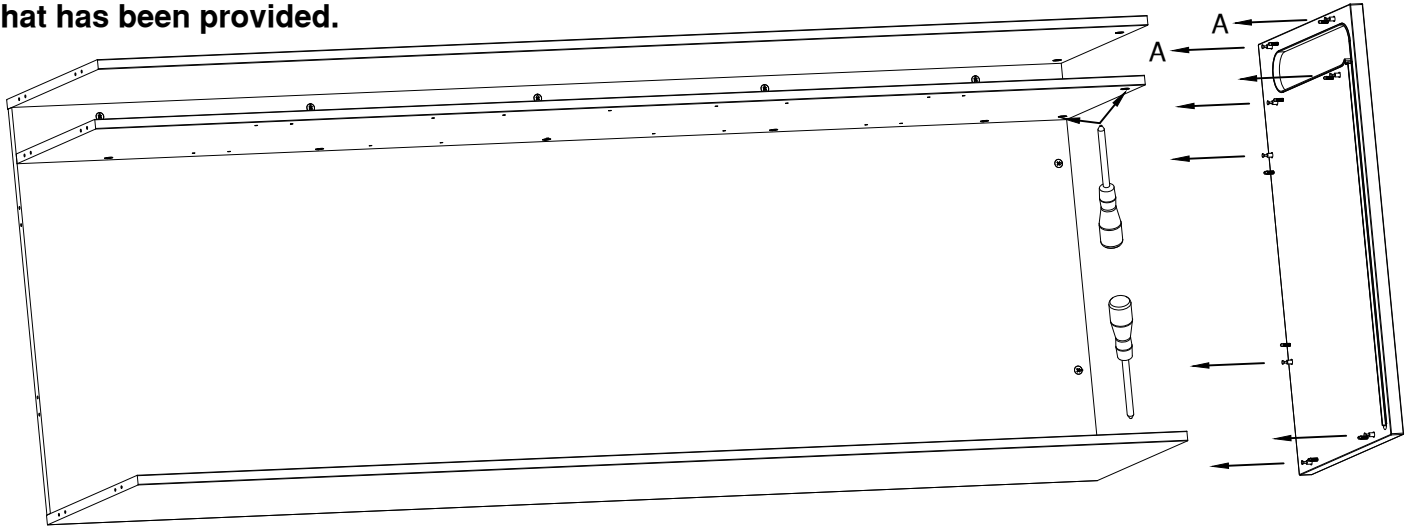
15

Step 15
Attach the RH side panel to the part built carcass and tighten all cam fittings.



16

Step 16
Attach the top ensuring that all pins and dowels correctly locate into the fixing points. Cams shown at point A are covered by the partition panel but can be tightened using the 4mm allen key that has been provided.

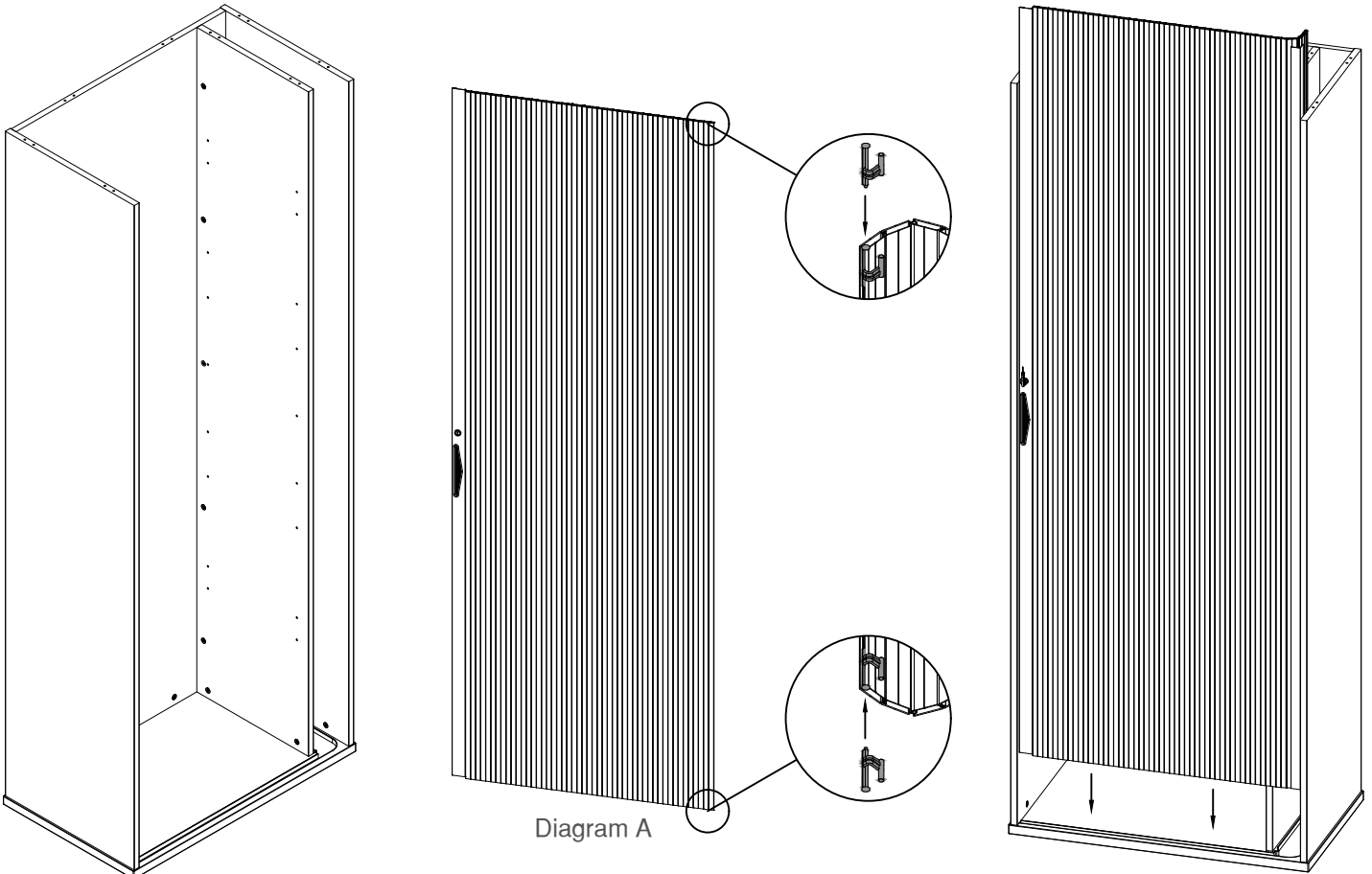


17

Step 17
Turn the unit onto its head ready to insert the door panel, ensure you are working on a clean dry surface to prevent any accidental damage to floor or cupboard.

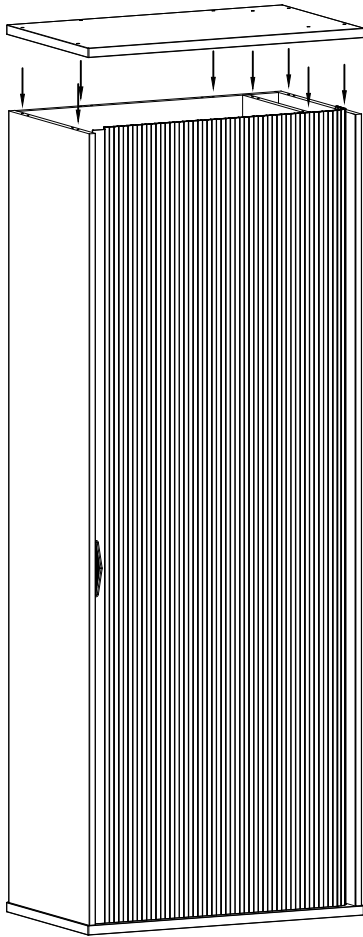
18

Step 18
Insert the tambour door glide clips into each top and bottom of the end section of tambour (See diagram A) and then insert the door into the track in the top.



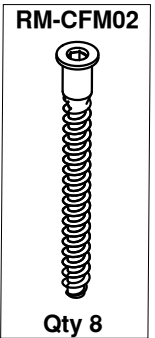
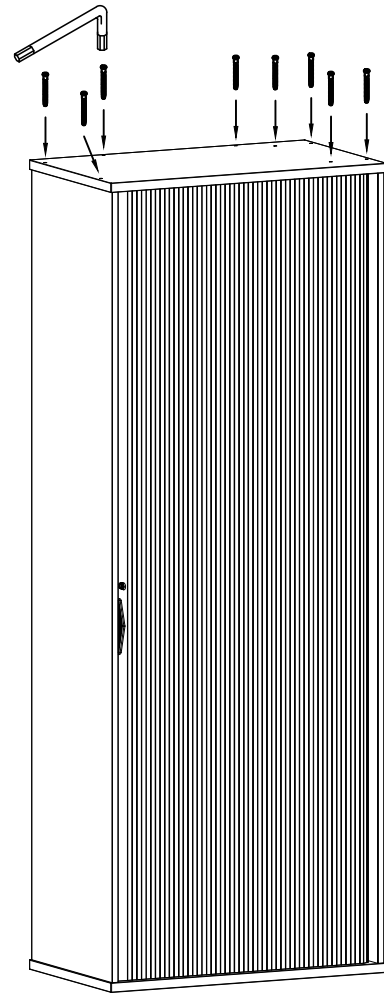
19

Step 19
Place the base panel onto the carcass ensuring that the door locates into the track and the wood dowels correctly fit into the pre drilled holes.



20

Step 20
Connect the base to the carcass using the 70mm confirmat screw.

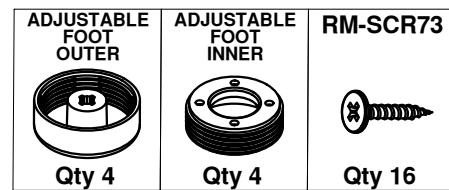
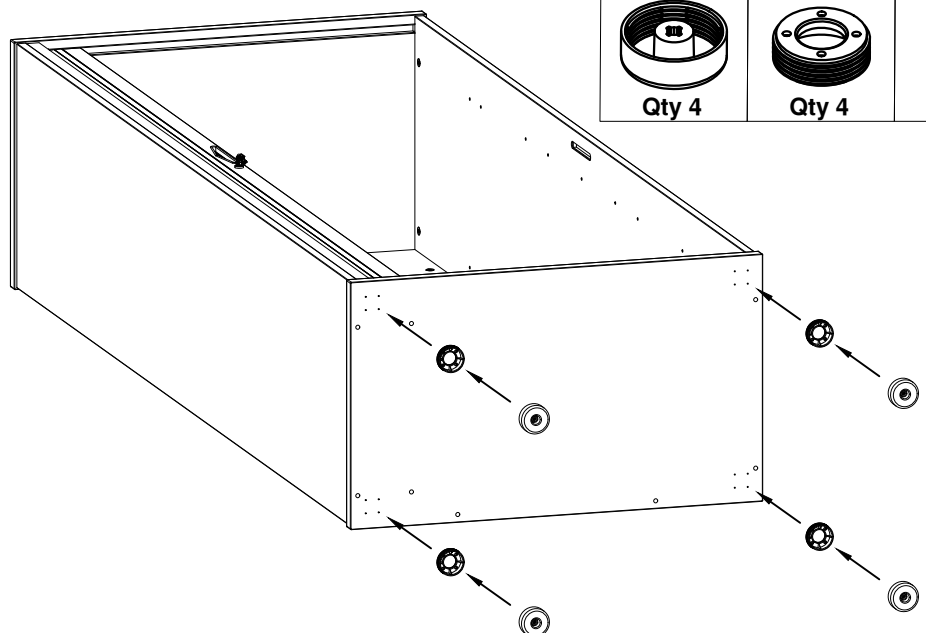


21

Step 21
Once the base is attached lie the unit on its back and attach the 4 adjustable foot levellers.

Note:
These fittings are supplied in 2 parts, firstly fix the inner housing to the base with the 3.5x12mm wood screws before screwing on the outer housing.

Once attached return the unit to its upright position.



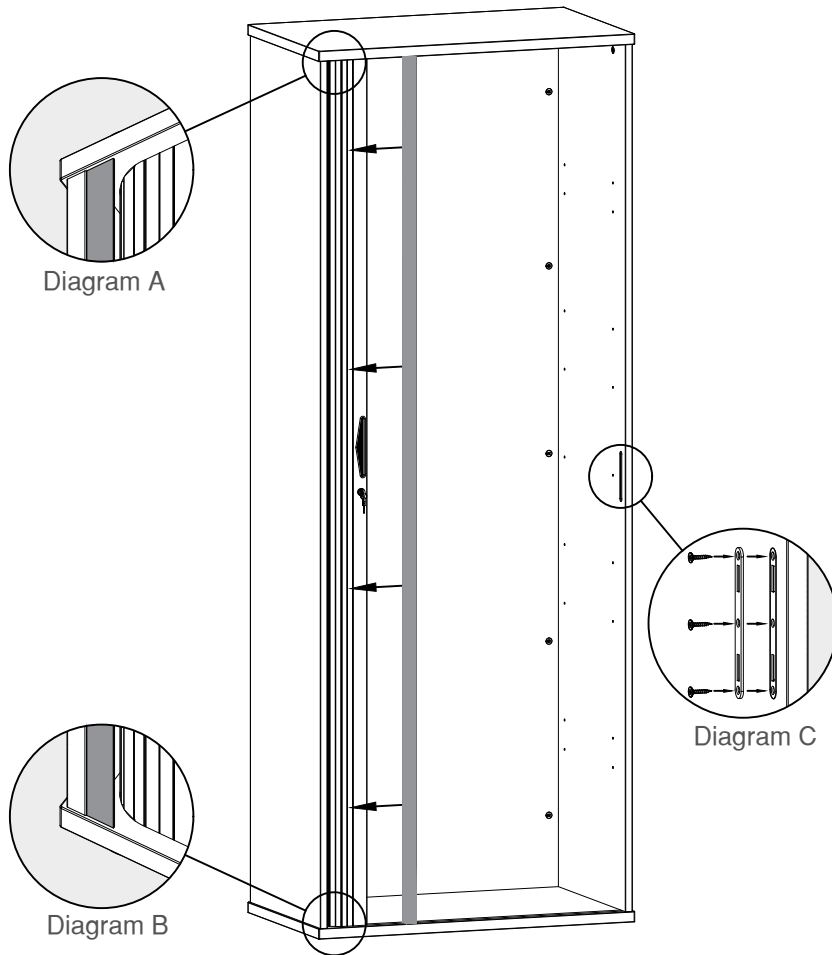


Diagram A

Diagram B

Diagram C

Step 22
 Attach the plastic finishing trim to the LH side panel. Remove the backing from the adhesive strip and ensure that the strip is aligned with top and bottom of the LH side panel. See diagrams A & B

Attach the door strike plate to the RH side panel using the 3.5x12mm wood screws, ensure you are screwing through the countersunk face and that the plate is correctly inserted into the recessed slot. See diagram C

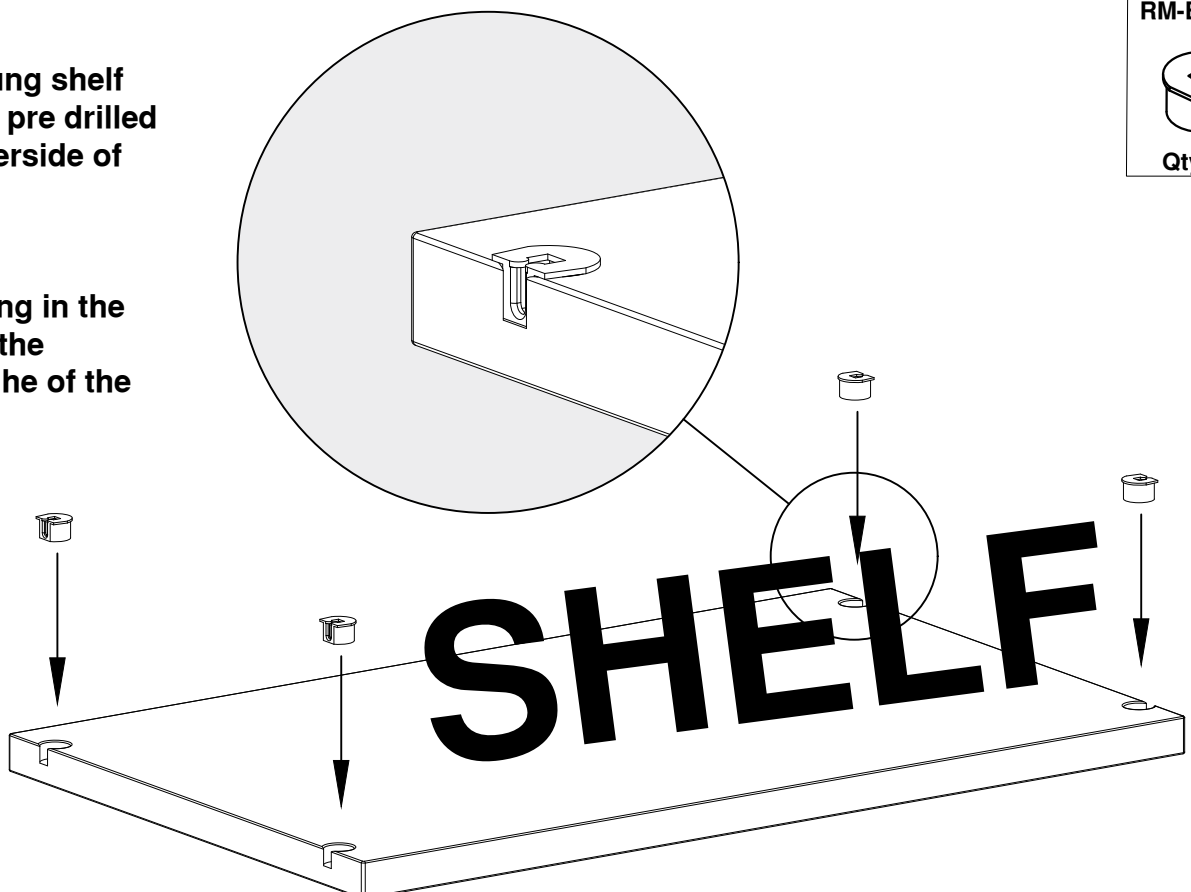
RM-SCR73



Qty 3

Step 23
 Insert the titus bung shelf supports into the pre drilled holes on the underside of each shelf.

Note:
 Ensure the opening in the bung aligns with the opening in the edge of the shelf.
 See Diagram D



RM-BUN02

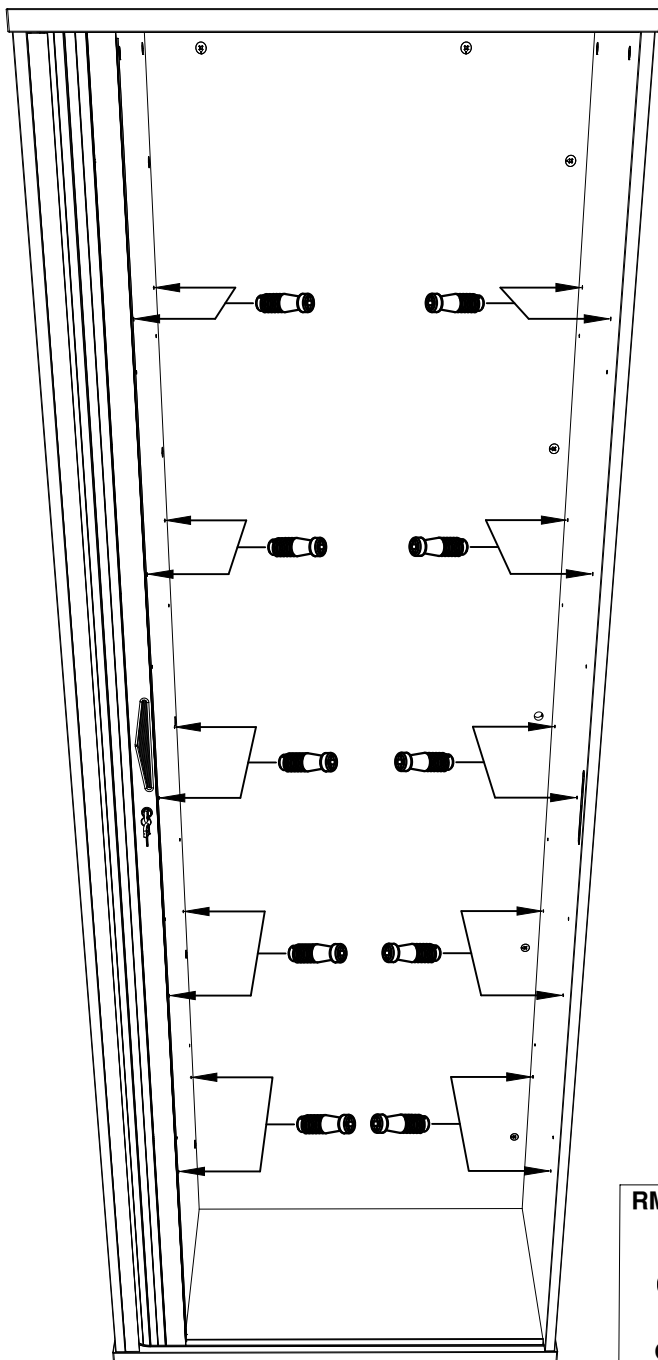


Qty 20

Step 24

Screw in the shelf fixing pins, ensure the fixings points are inserted at the same height on both partition and side panel.

Note:
there is a selection of fixing points that can be used to create different sized openings.

**Step 25**

Insert the shelves into the cupboard, ensure that the shelf support bungs fully engage into the shelf pin, they may need to be lightly knocked down to ensure the fittings are fully engaged.

