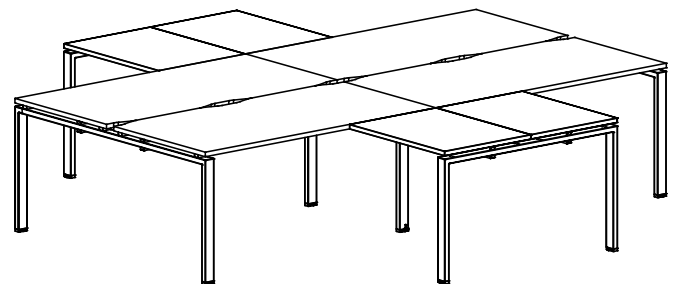
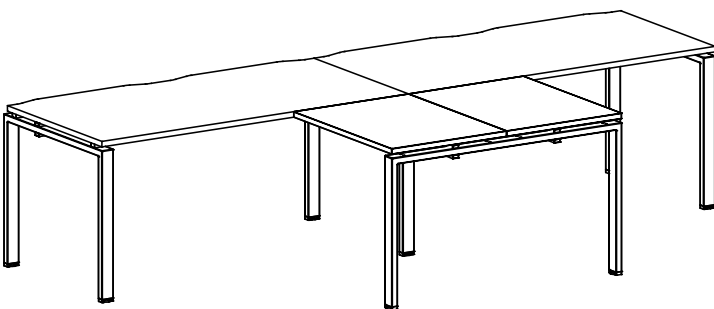
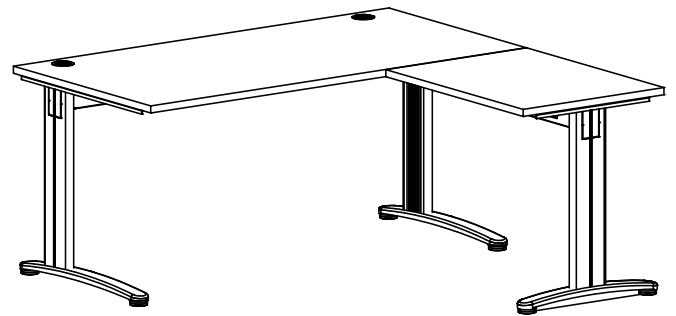
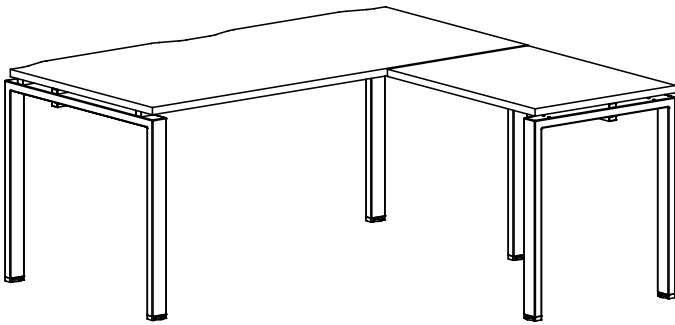
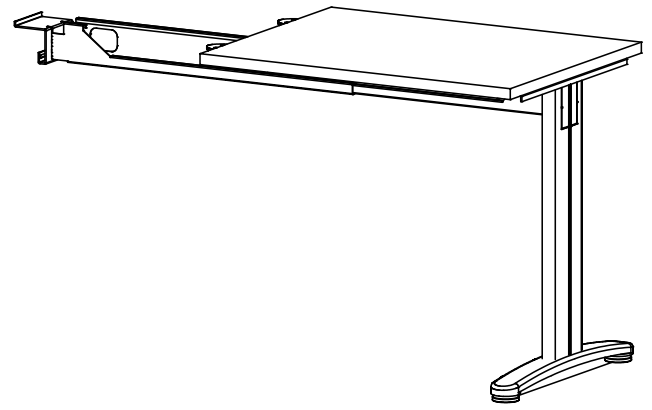
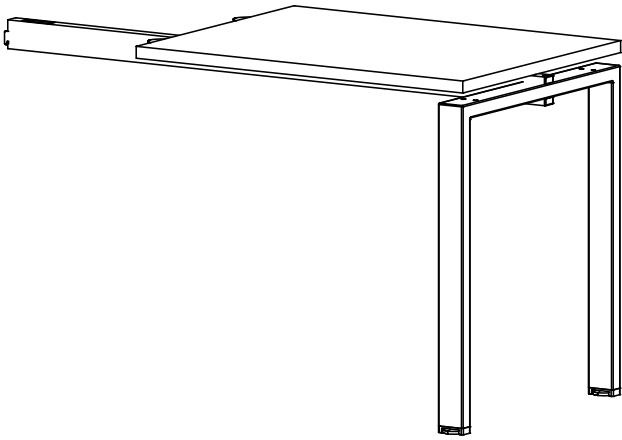
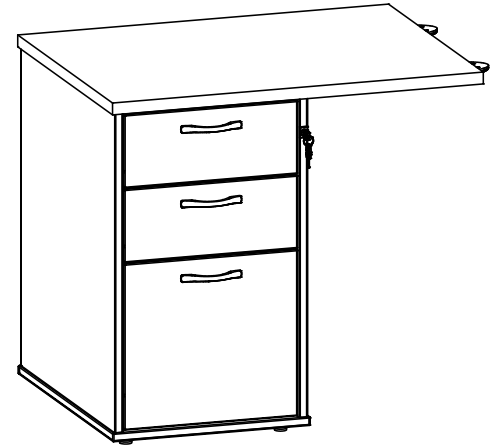
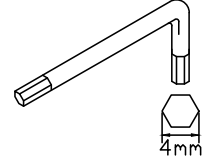
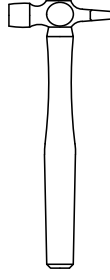
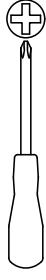
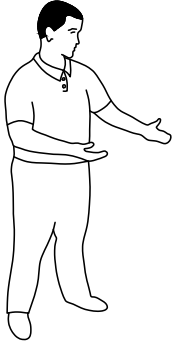


DRT

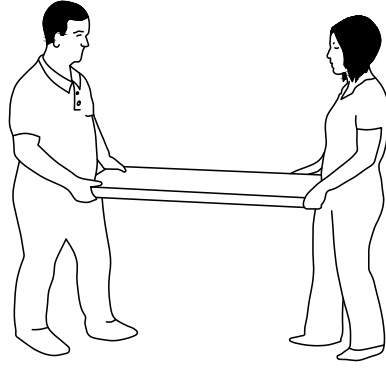
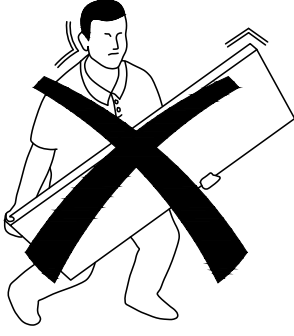
800x600mm Return Desktop



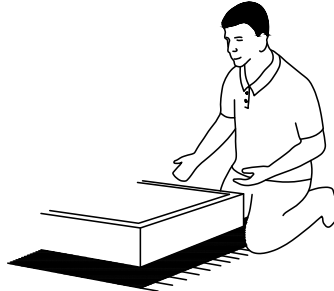
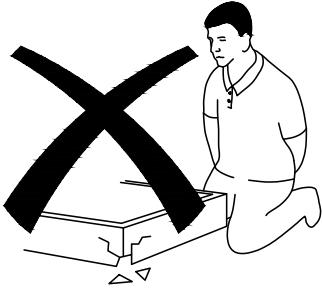
**TOOLS REQUIRED
FOR ASSEMBLY**



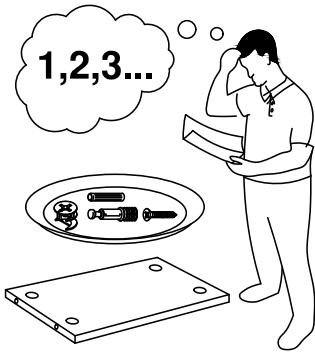
**DONT STRUGGLE
2 MAN LIFT**



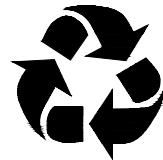
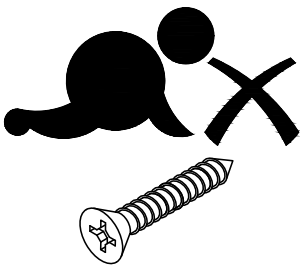
**ALWAYS HANDLE
ITEMS WITH CARE**



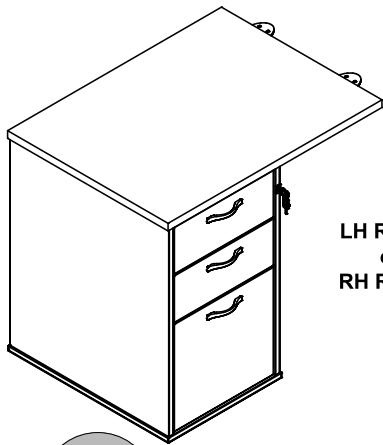
**IF UNSURE CALL
FOR ASSISTANCE**



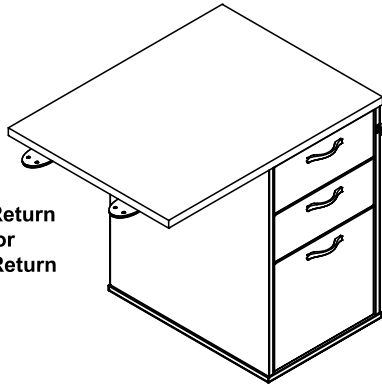
**KEEP FITTINGS AWAY
FROM CHILDREN**



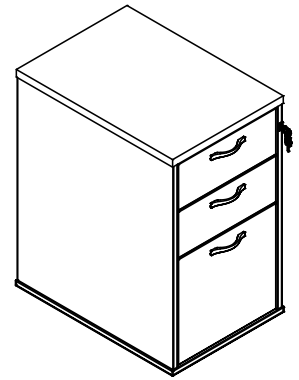
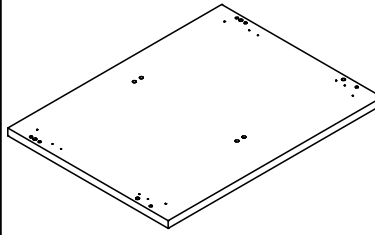
INSTRUCTION FOR PEDESTAL TOP EXTENSION



LH Return
or
RH Return



DRT - Return Top



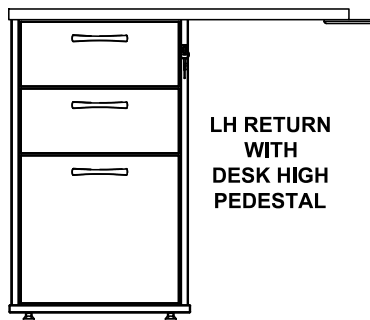
R25DH6 Pedestal

1

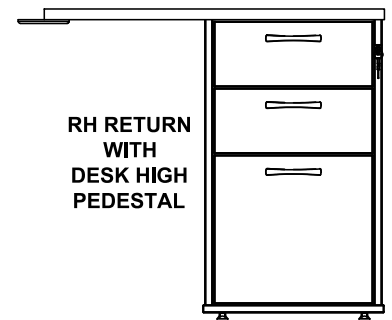
Step 1

Familiarise yourself with the drilling pattern on the underside of the desktop before inserting the quick fix dowels into the pre drilled holes as shown.

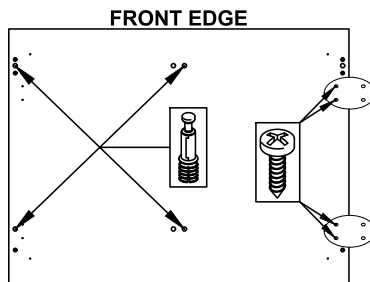
Once the dowels are inserted align the 2 oval fixing brackets with the pre drilled holes and attach using the self tapping wood screws.



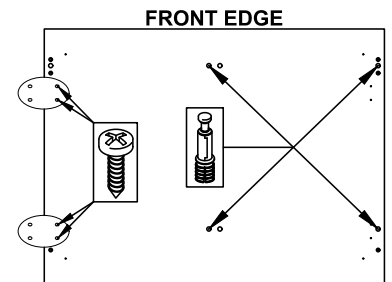
LH RETURN
WITH
DESK HIGH
PEDESTAL



RH RETURN
WITH
DESK HIGH
PEDESTAL



FRONT EDGE



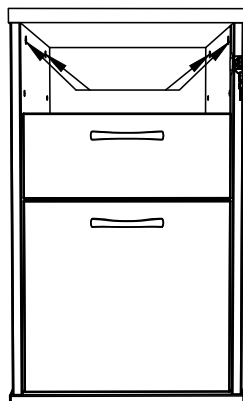
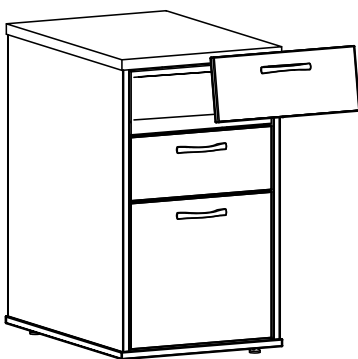
FRONT EDGE

2

Step 2

Remove the top drawer by fully extending the drawing and then lifting the drawer out of the runner.

Once removed undo the cam fittings by turning the cams anti clockwise and lift the top off the unit.

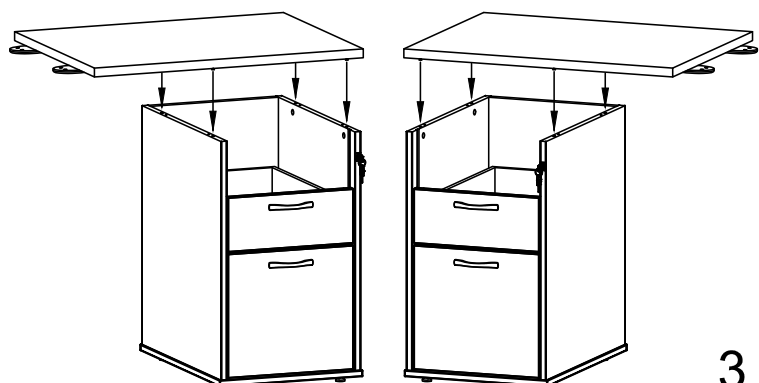


3

Step 3

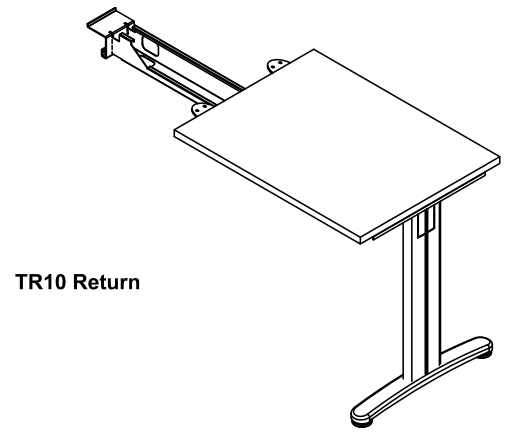
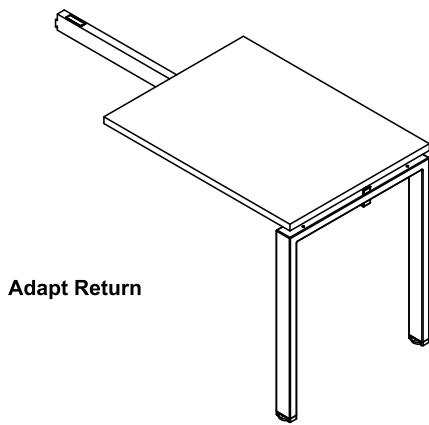
Place the larger return top onto the unit and tighten cams by turning clockwise.

Re insert the drawer into the unit and it is now ready to be positioned alongside your desk, once positioned attach the oval brackets to the desktop using the remaining wood screws.



3

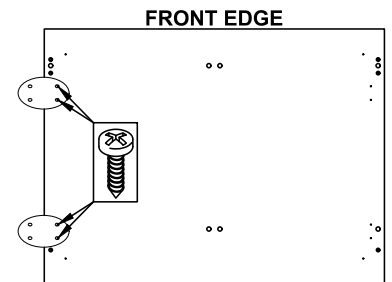
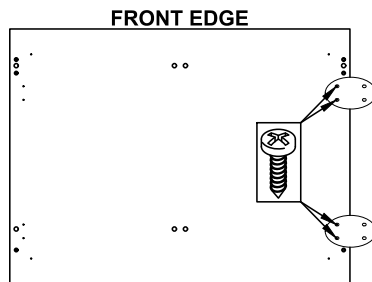
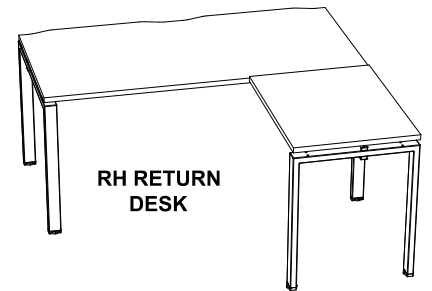
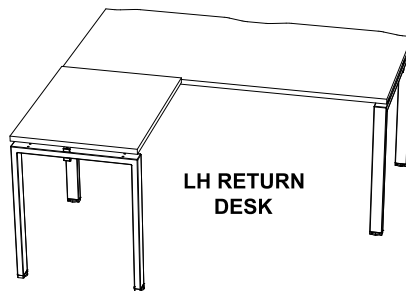
INSTRUCTION FOR RETURN DESK TOP EXTENSION



1

Step 1

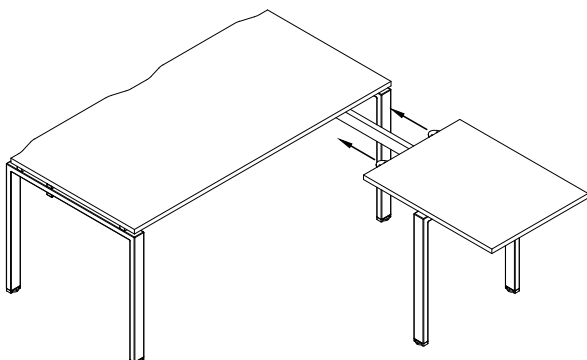
Familiarise yourself with the drilling pattern on the underside of the desktop before aligning the 2 oval fixing brackets with the pre drilled holes, once aligned attach using the self tapping wood screws.



2

Step 2

Place the top onto the assembled subframe and align the top with the main desktop.



3

Step 3

Once aligned attach the return top using the self tapping wood screws, the fittings for attaching the top to the leg frames will be packed with the desk legs.

