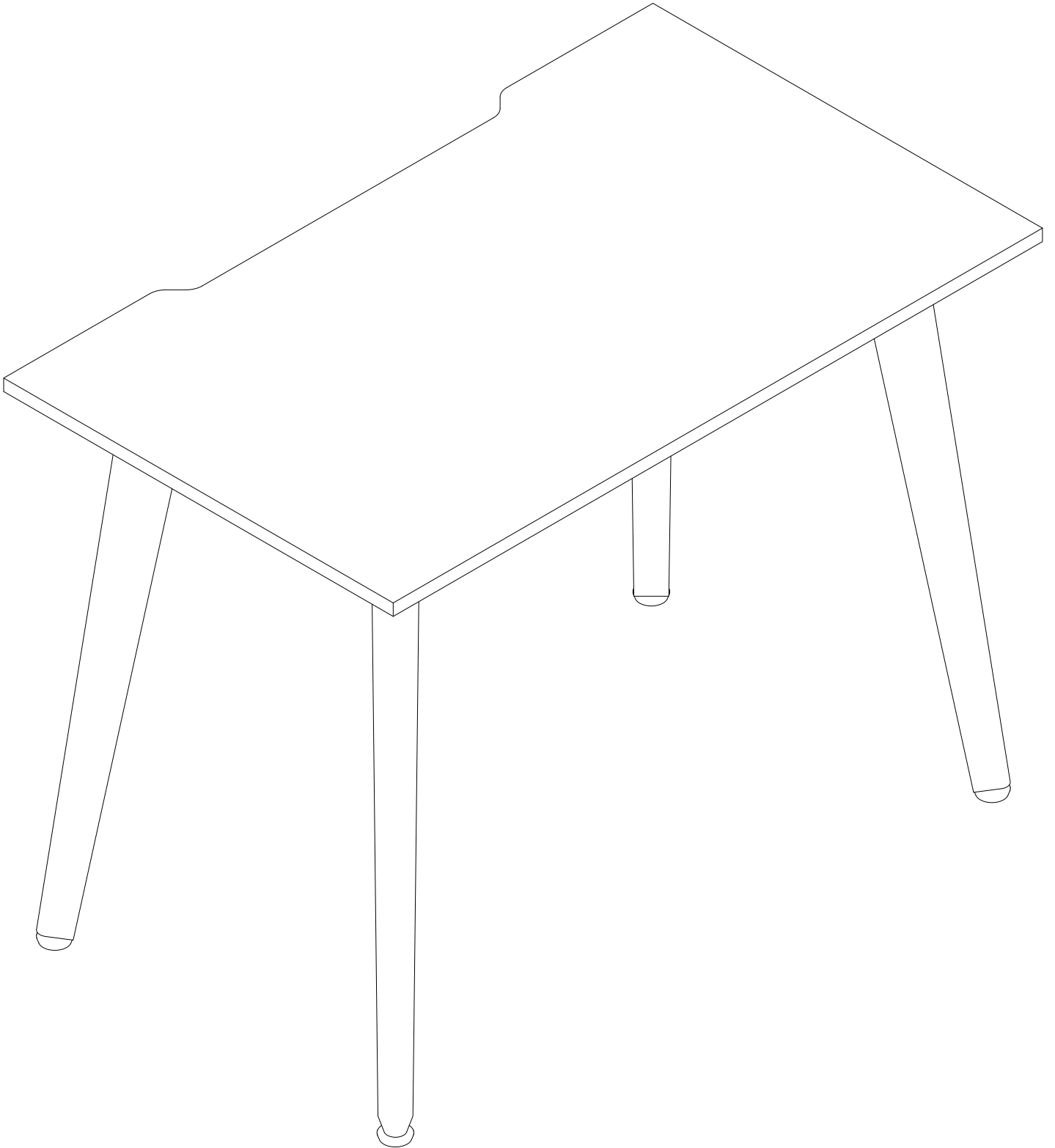











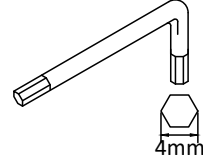
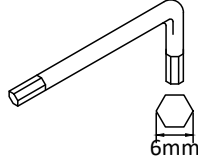
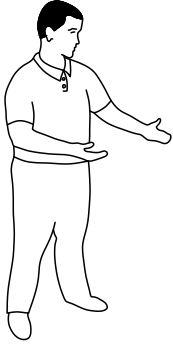


GZ610, GZ612, GZ614

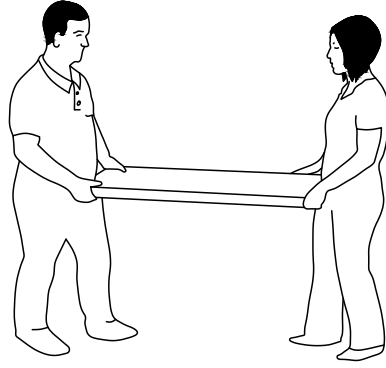
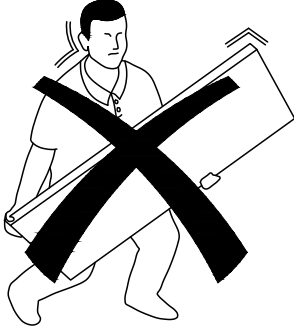


- GZ610** -   
- GZ612** -   
- GZ614** -   

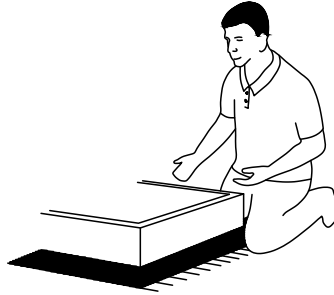
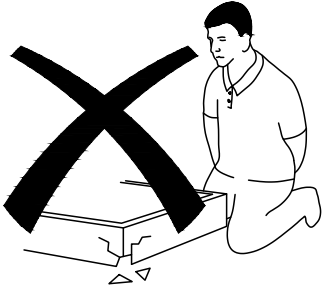
**TOOLS REQUIRED
FOR ASSEMBLY**



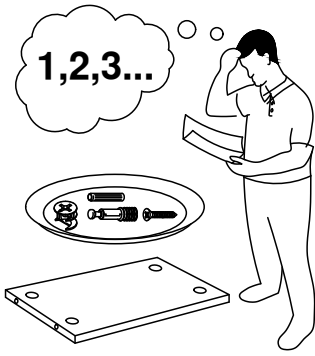
**DONT STRUGGLE
2 MAN LIFT**



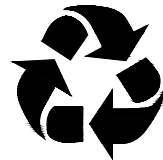
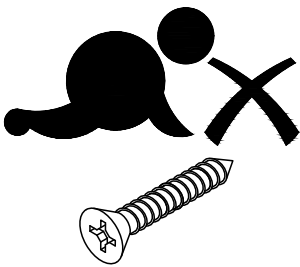
**ALWAYS HANDLE
ITEMS WITH CARE**



**IF UNSURE CALL
FOR ASSISTANCE**

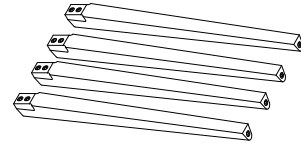
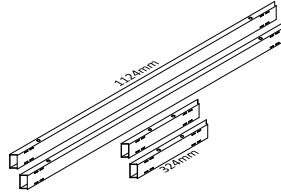
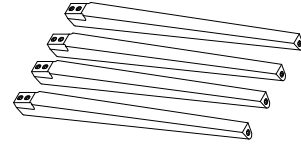
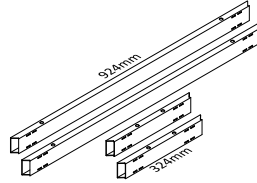
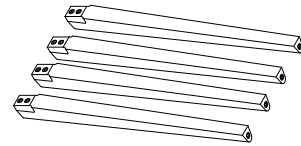
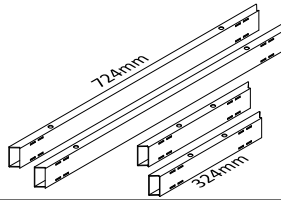
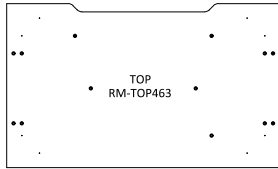


**KEEP FITTINGS AWAY
FROM CHILDREN**



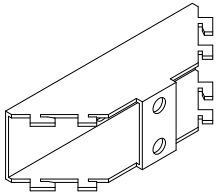


Please check that you have all the components!



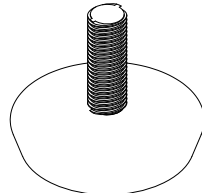
Please check that you have all the hardware!

QUANTITY - 4



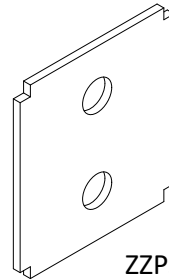
24mm QUICKFIX PIN
ZZPS19M08

QUANTITY - 4



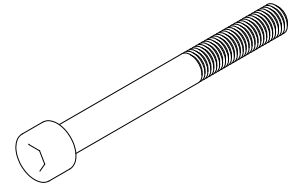
15mm QUICKFIX CAM
ZZAC39P90

QUANTITY - 4



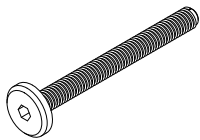
ZZPS21M09

QUANTITY - 8



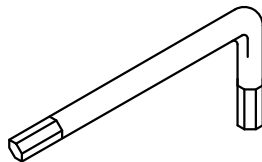
VT0875TCEIZ

QUANTITY - 4



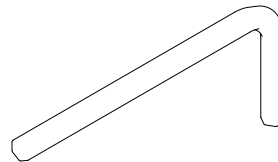
M6 x60mm CONNECTOR BOLT
RM-M6X60

QUANTITY - 1



ALLEN KEY 4MM
RM-ALK01

QUANTITY - 1

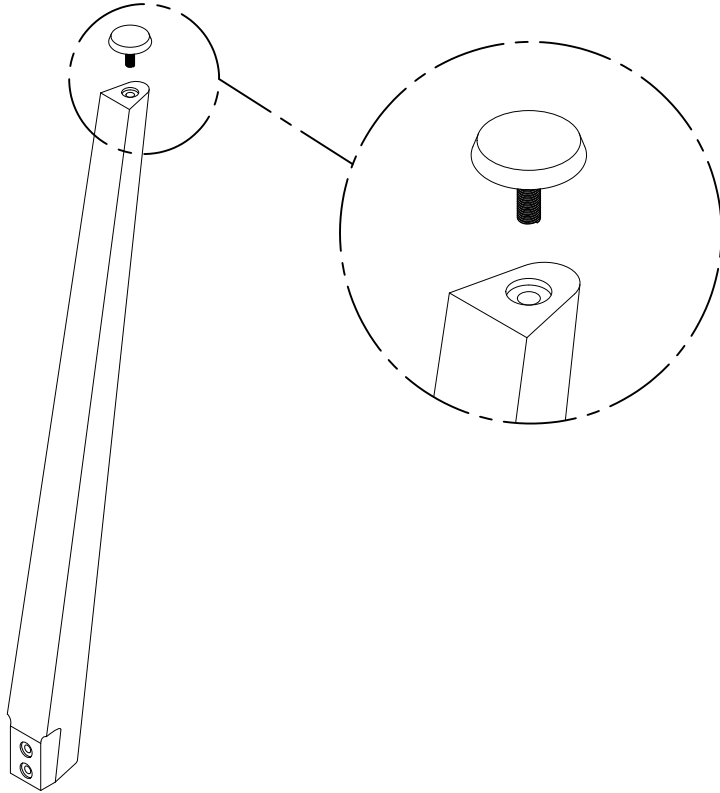


ALLEN KEY 6MM
RM-ALK02

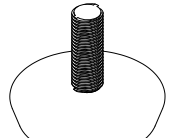
Assembly Instructions.

1

Step 1
Screw adjustable foot into leg, do this for all legs.



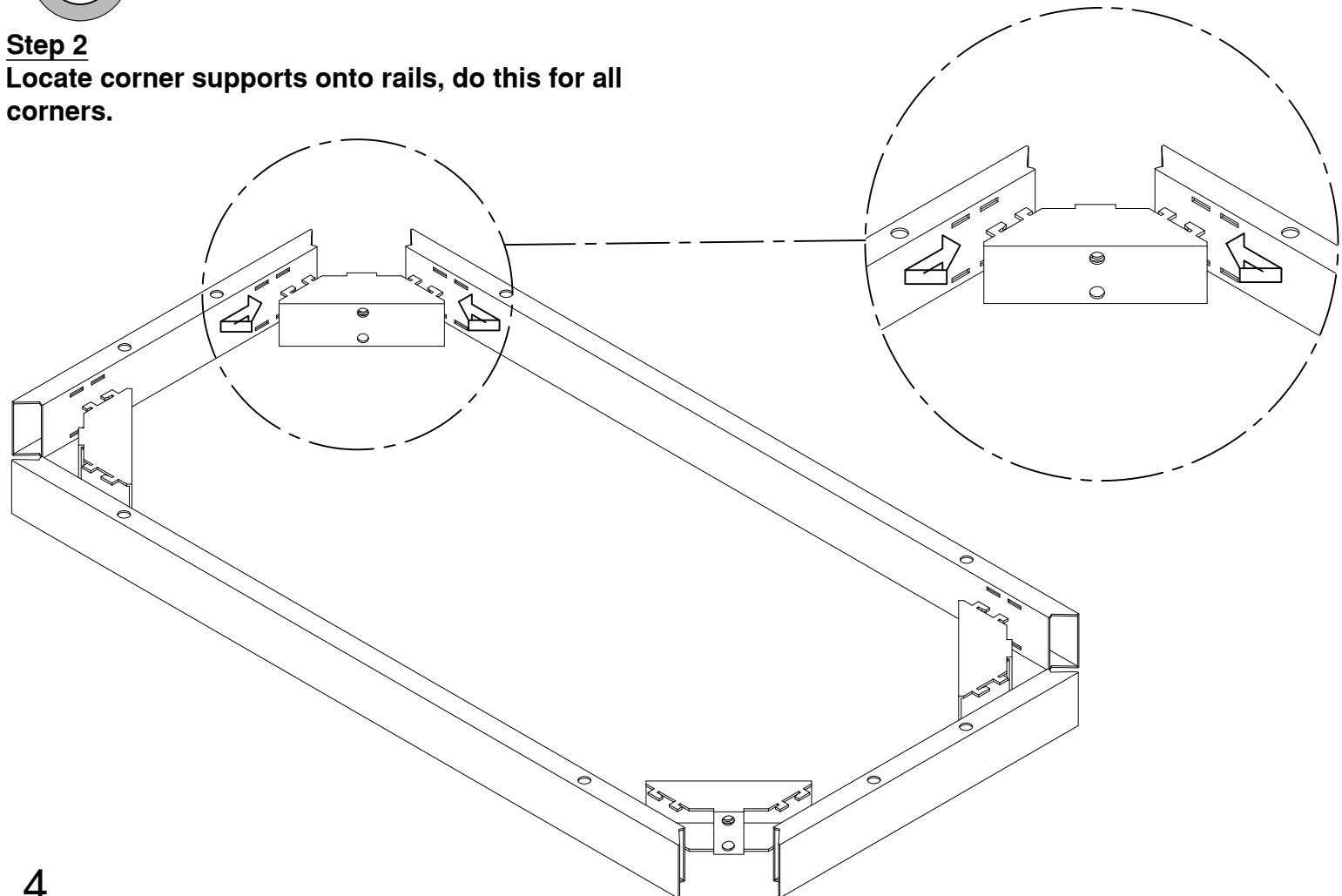
QUANTITY - 4



ADJUSTABLE FOOT
ZZAC39P90

2

Step 2
Locate corner supports onto rails, do this for all corners.

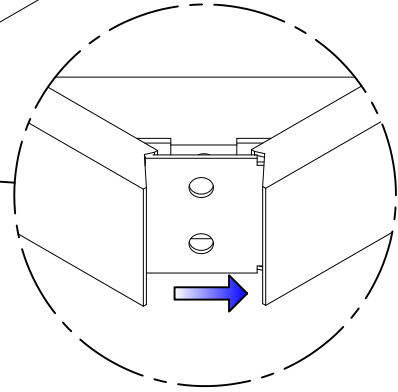
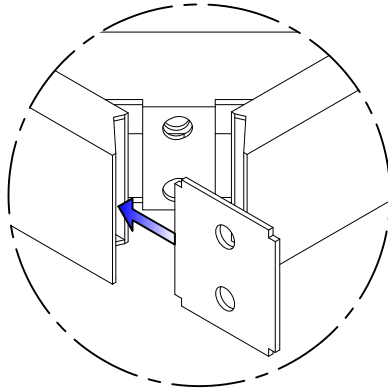
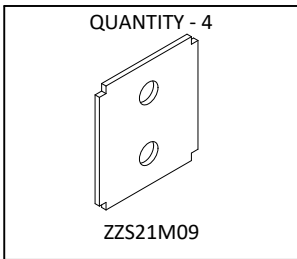
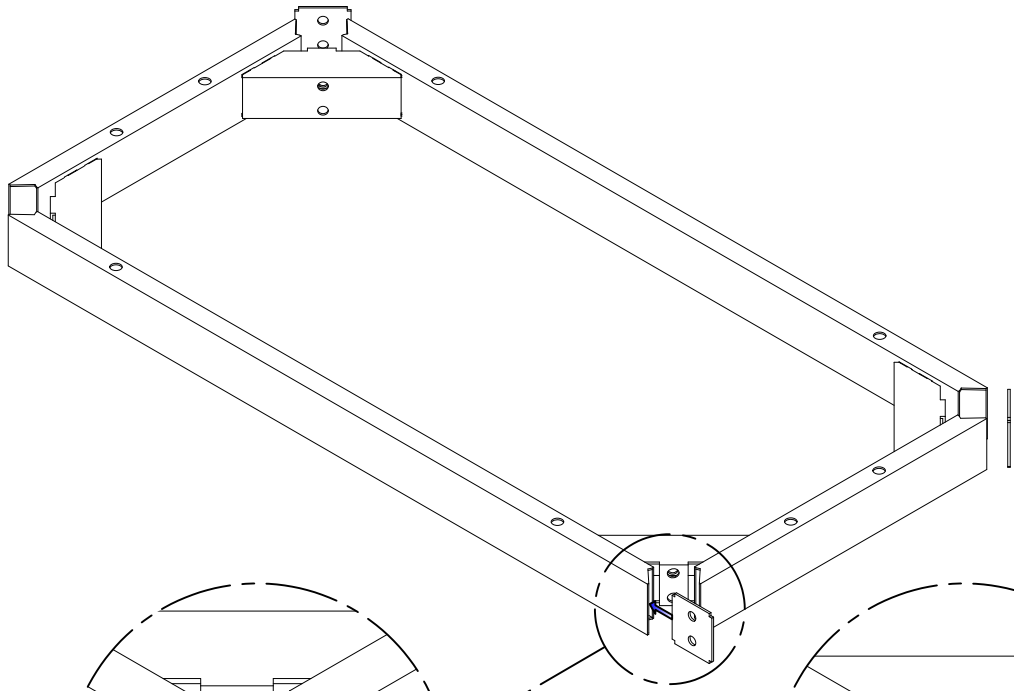


Assembly Instructions.

3

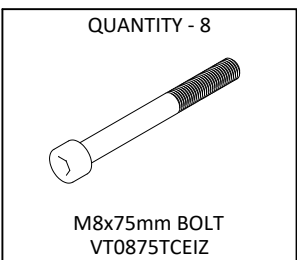
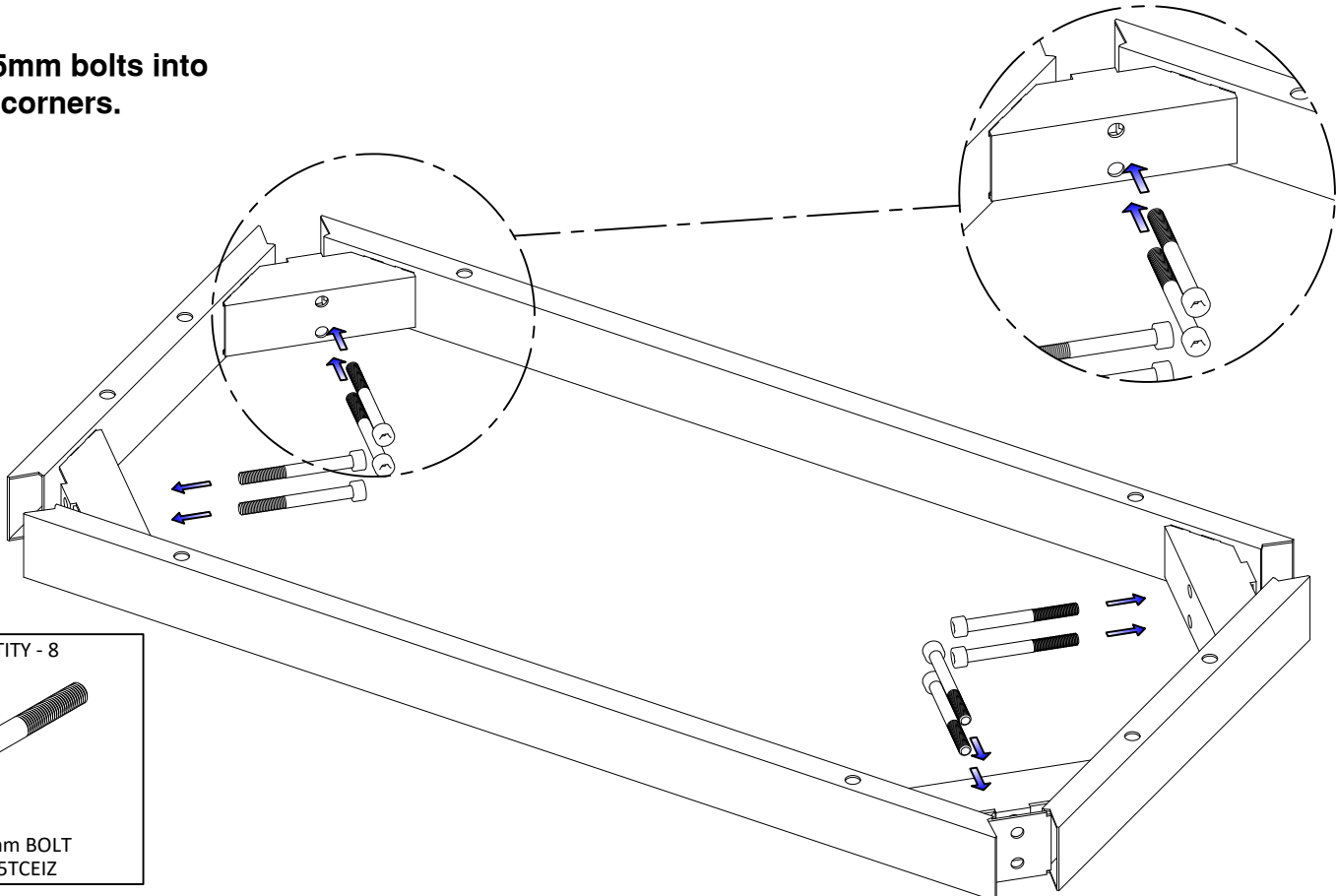
Step 3 Attach leg to frame.

Ensure that the bolts are fully tightened before attaching the remaining legs.



4

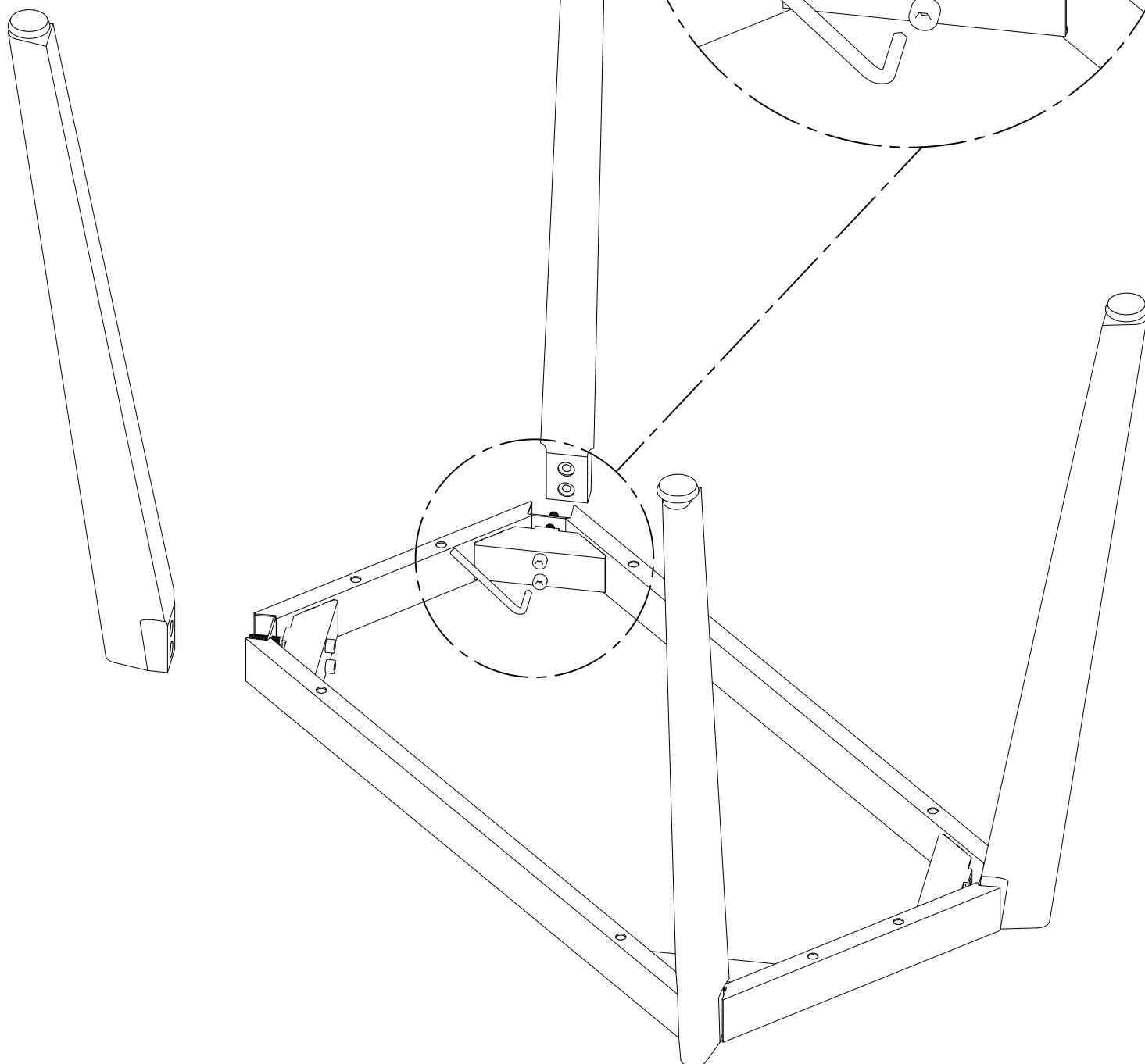
Step 4 Insert M8x75mm bolts into the support corners.



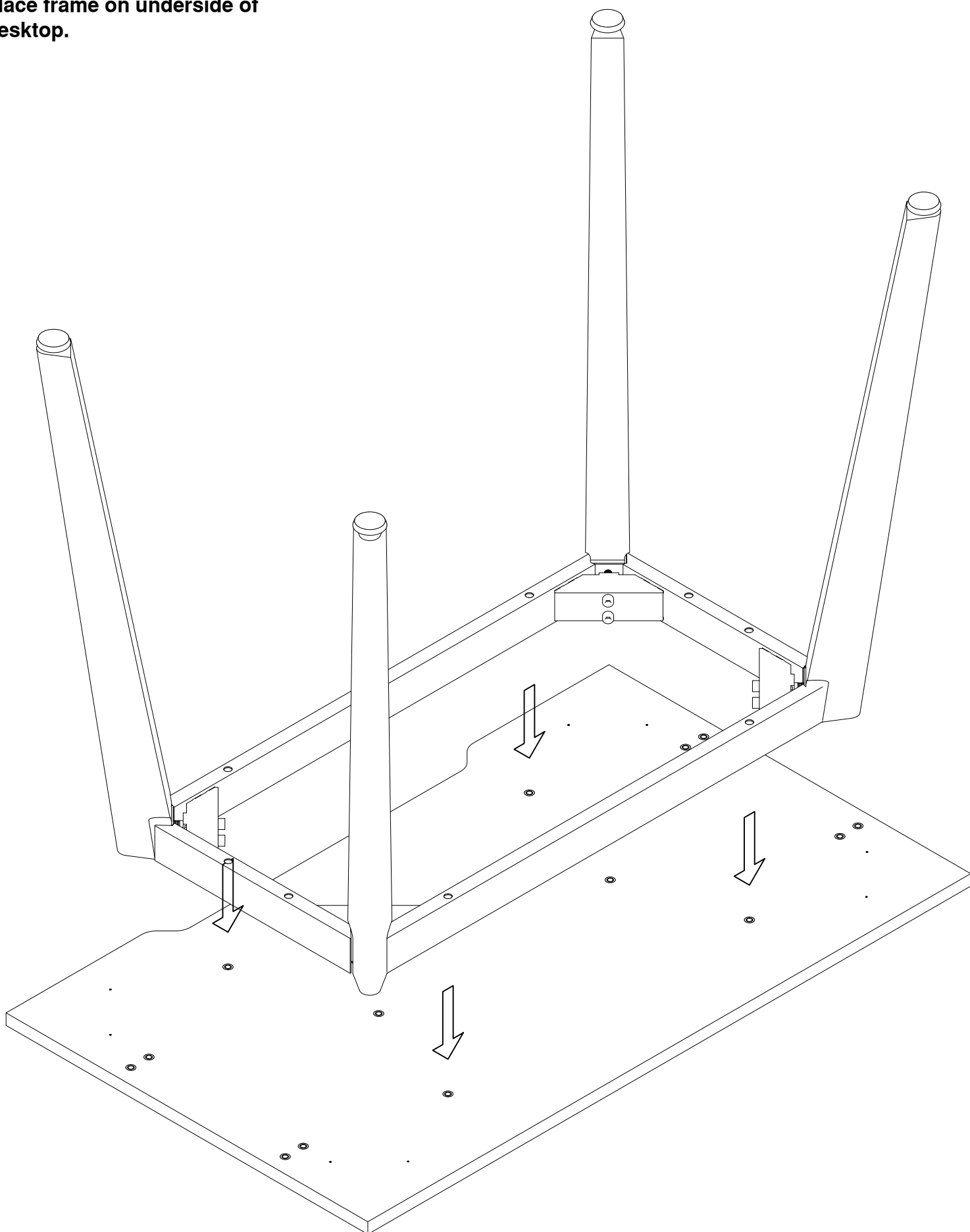
Step 5
Attach the legs to the frame
using the bolts provided.

A 6mm Allen key is required
to screw in the bolts.

Ensure they are fully
screwed in before moving to
the next leg.



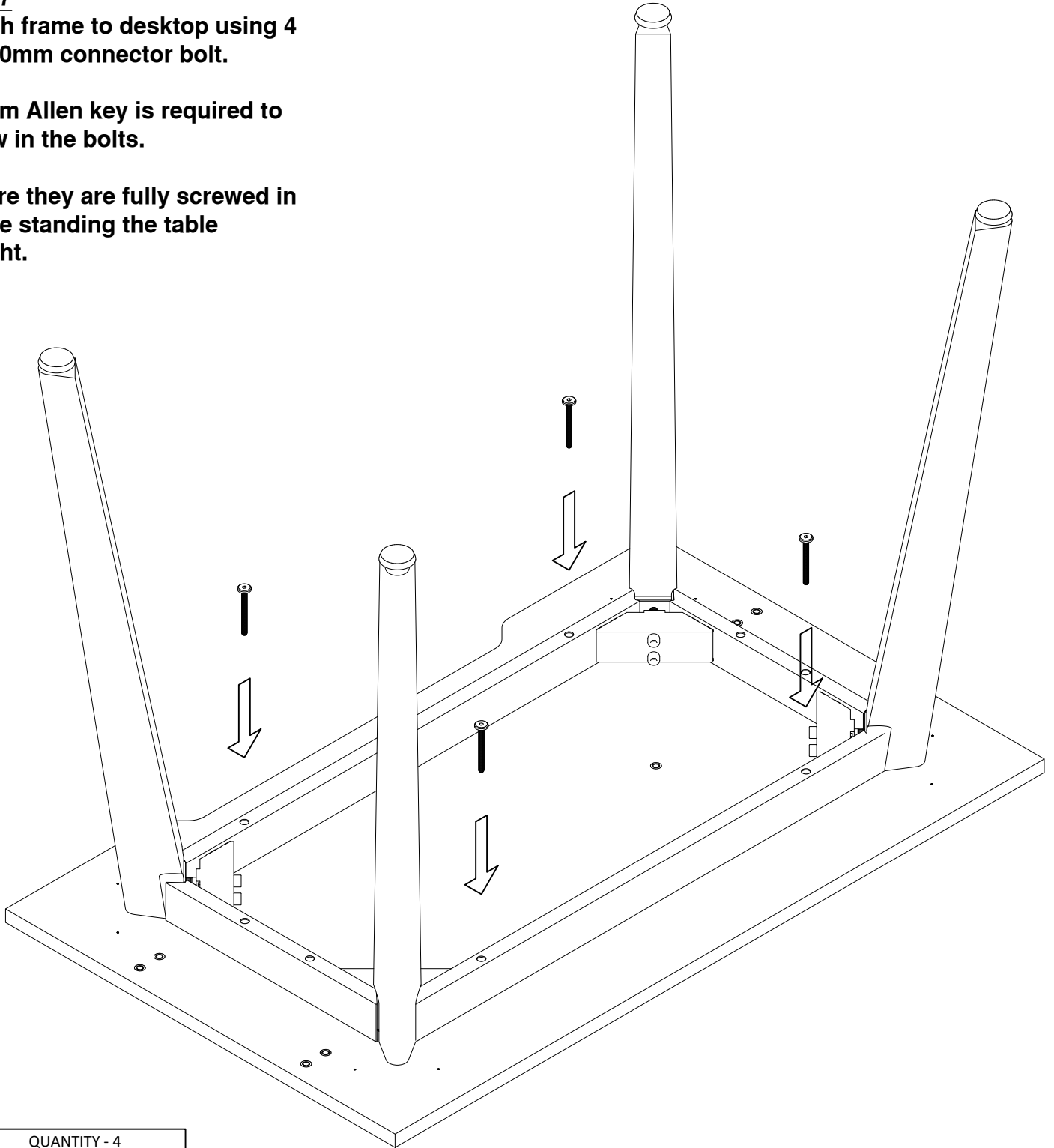
Step 6
Place frame on underside of
desktop.



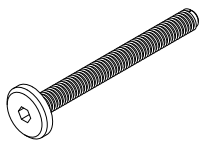
Step 7
Attach frame to desktop using 4
M6x60mm connector bolt.

A 4mm Allen key is required to
screw in the bolts.

Ensure they are fully screwed in
before standing the table
upright.



QUANTITY - 4



M6x60mm CONNECTOR BOLT
RM-M6X60