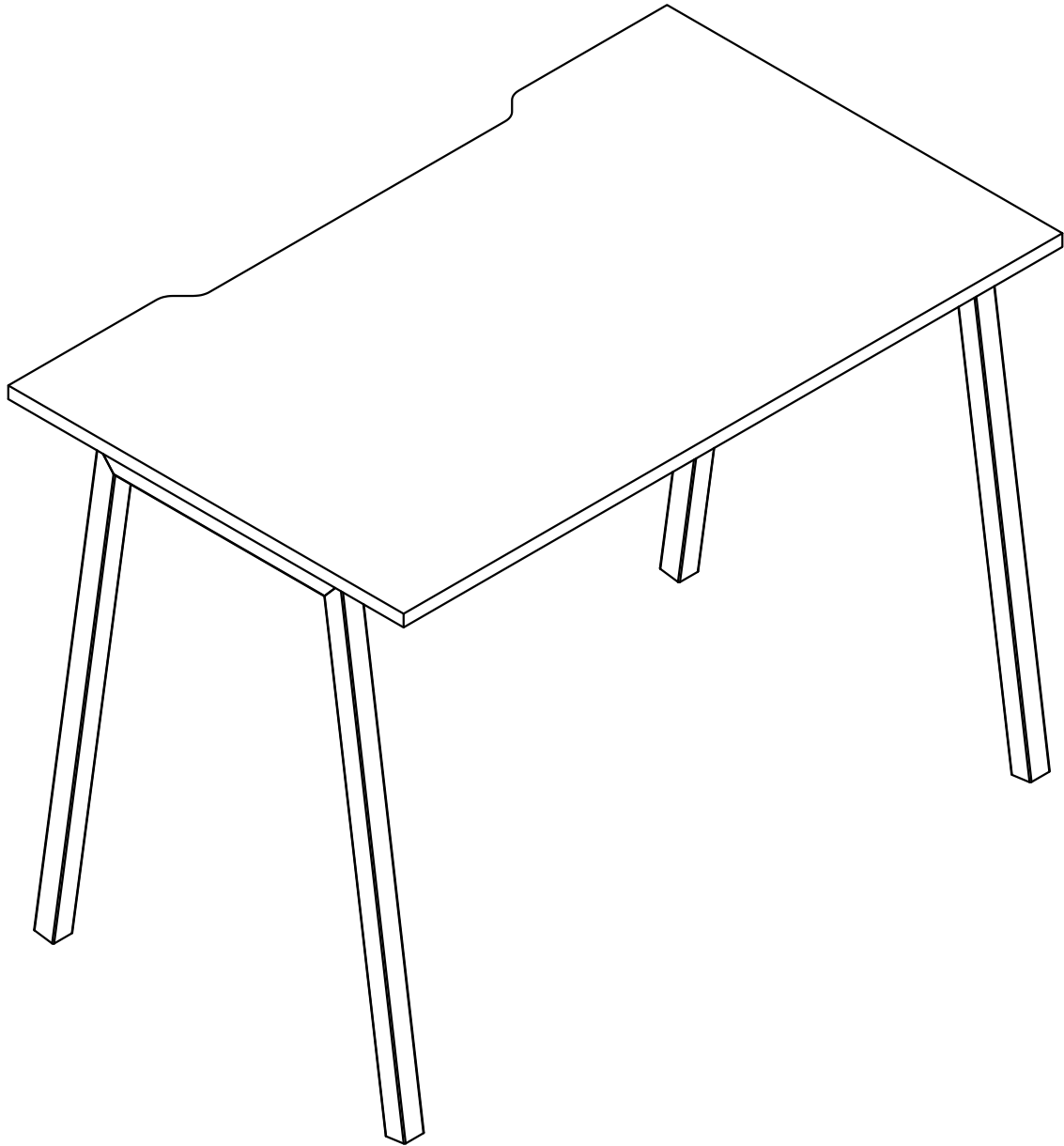









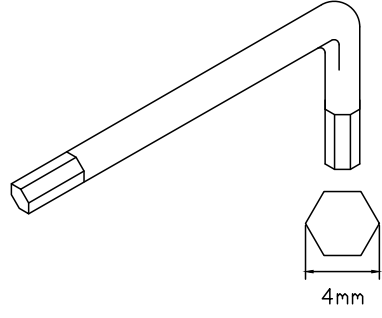
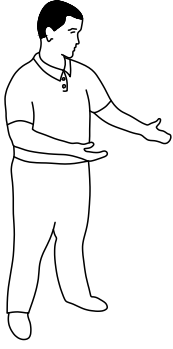


# SP610 / SP612 / SP614 Sparta Desk

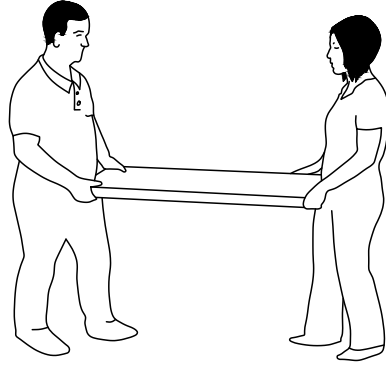
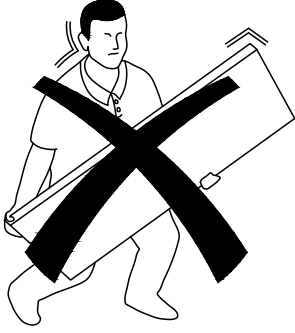


- SP610** -   
- SP612** -   
- SP614** -   

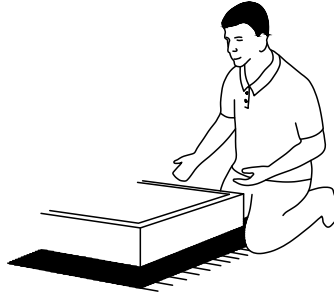
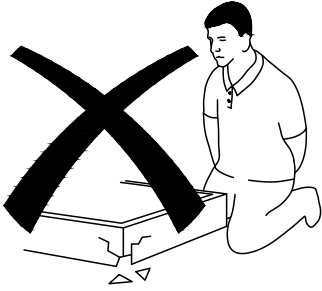
**TOOLS REQUIRED  
FOR ASSEMBLY**



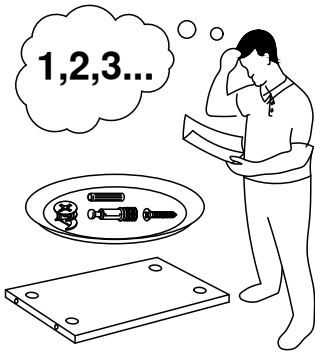
**DONT STRUGGLE  
2 MAN LIFT**



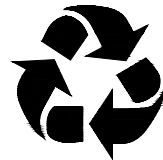
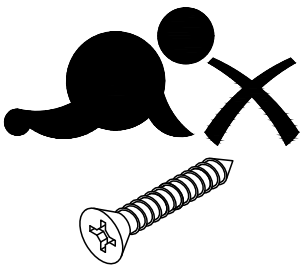
**ALWAYS HANDLE  
ITEMS WITH CARE**



**IF UNSURE CALL  
FOR ASSISTANCE**



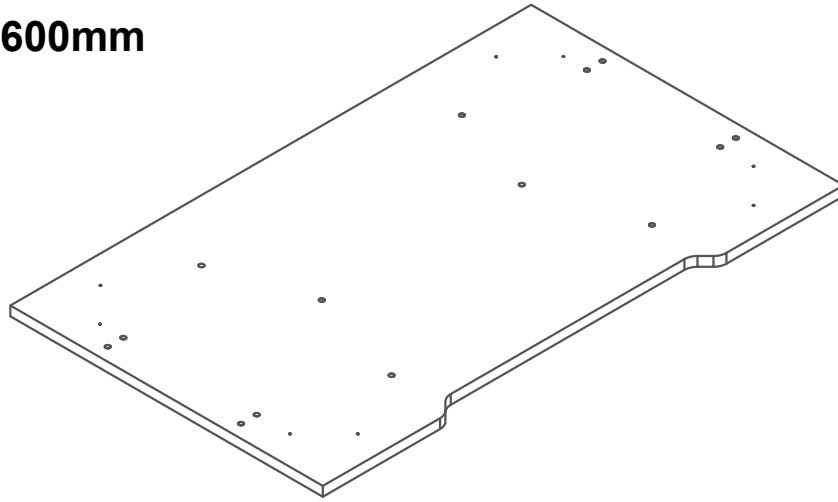
**KEEP FITTINGS AWAY  
FROM CHILDREN**



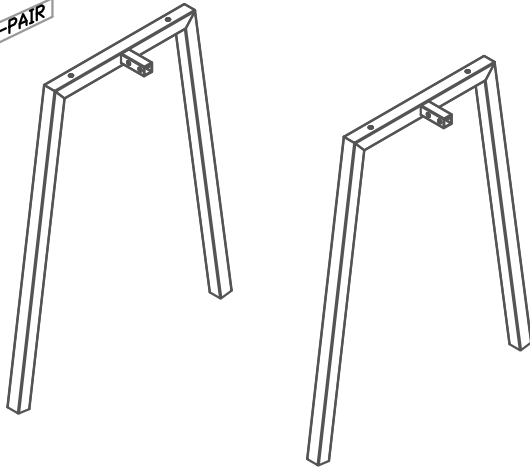


Please check that you have all the components!

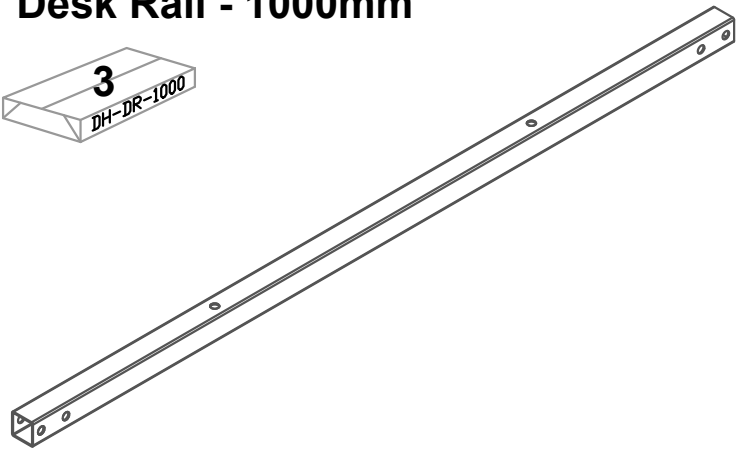
### Desktop - 1000 x 600mm



### Sleigh Frame Leg Set

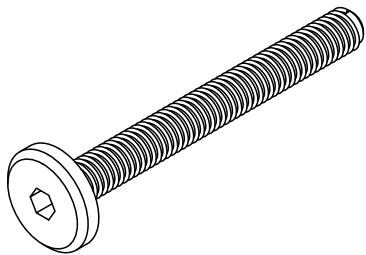


### Desk Rail - 1000mm



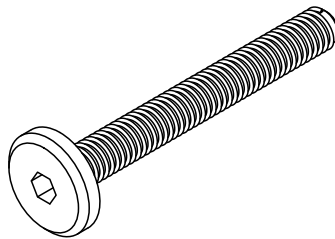
Please check that you have all the hardware

QUANTITY - 4



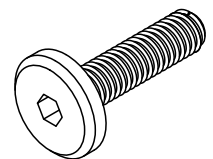
M6 x 45mm  
CONNECTOR BOLT  
QUANTITY - 4

QUANTITY - 3

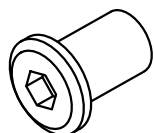


M6 x 40mm  
CONNECTOR BOLT  
QUANTITY - 4

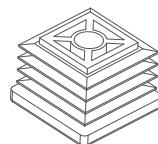
QUANTITY - 4



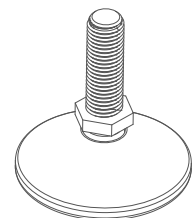
M6 x 20mm  
CONNECTOR BOLT  
QUANTITY - 4



M6 x 12mm  
SLEEVE NUT



30MM M8 TAPPED  
FERRULE

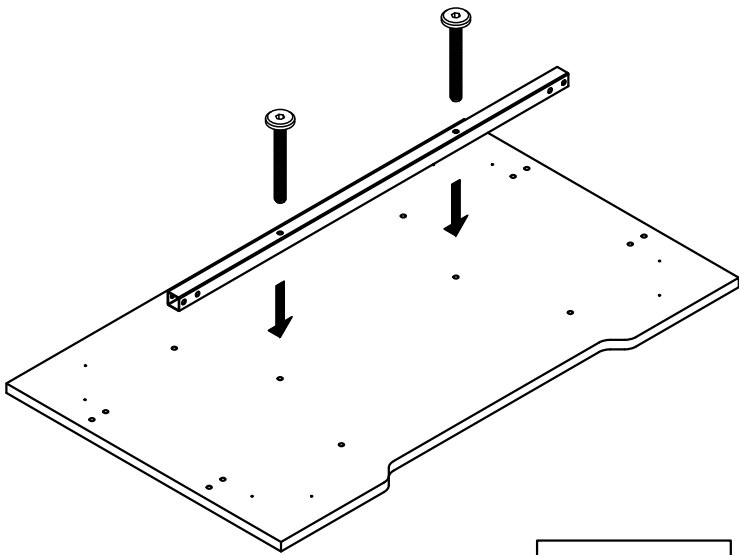


38MM  
PIVOT FOOT

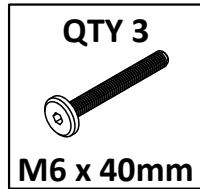
3

1

**Step 1**  
Attach the rail to desktop using the M6 x 40 bolt.  
Tighten up using the 4mm allen key provided.

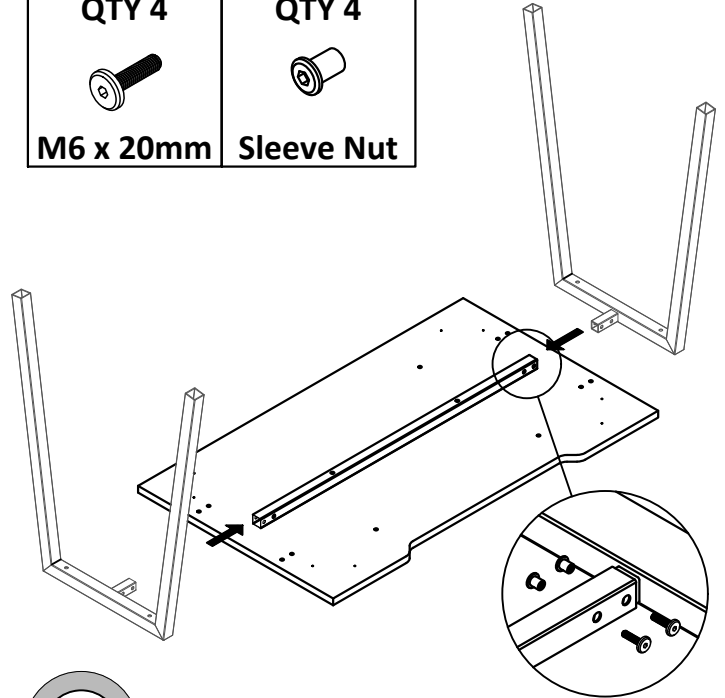
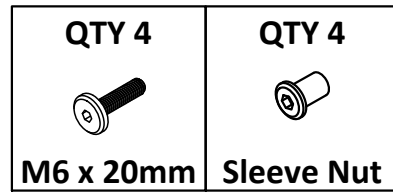


Please note SP610 only uses  
2 x M6x40 connector bolts



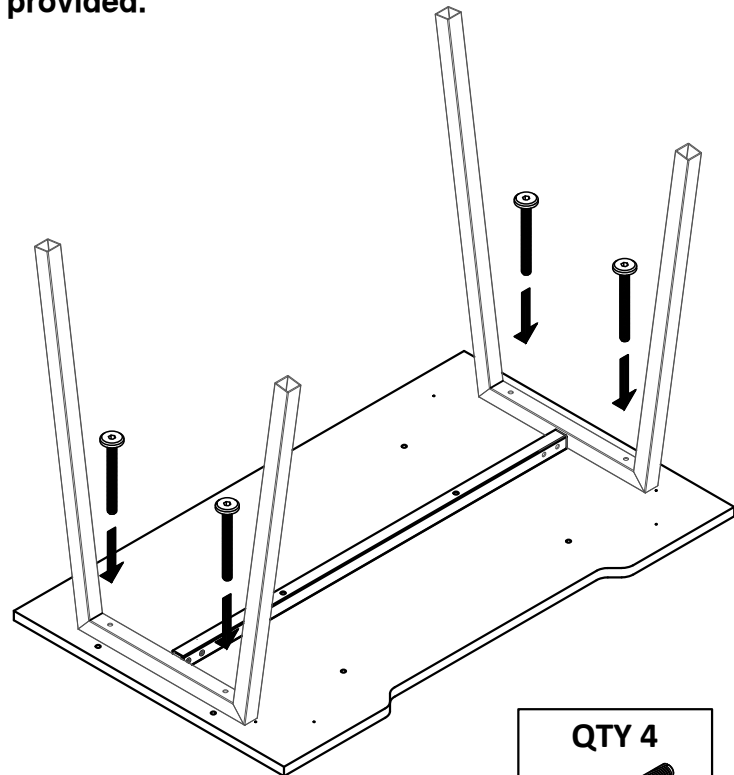
2

**Step 2**  
Attach the frames to the rail using the M6 x 20 bolts and 12mm sleeve nuts.  
Tighten up using the 4mm allen key provided.



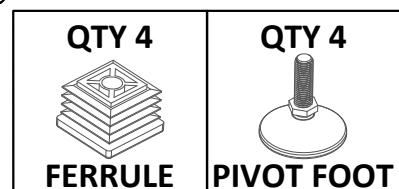
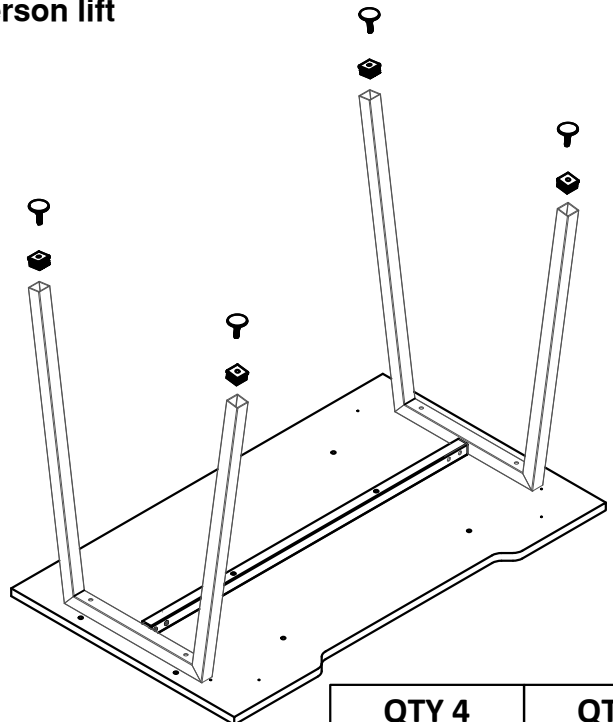
3

**Step 3**  
Attach the end frame to desktop using the M6 x 45 bolts. Tighten up using the 6mm allen key provided.

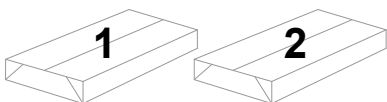
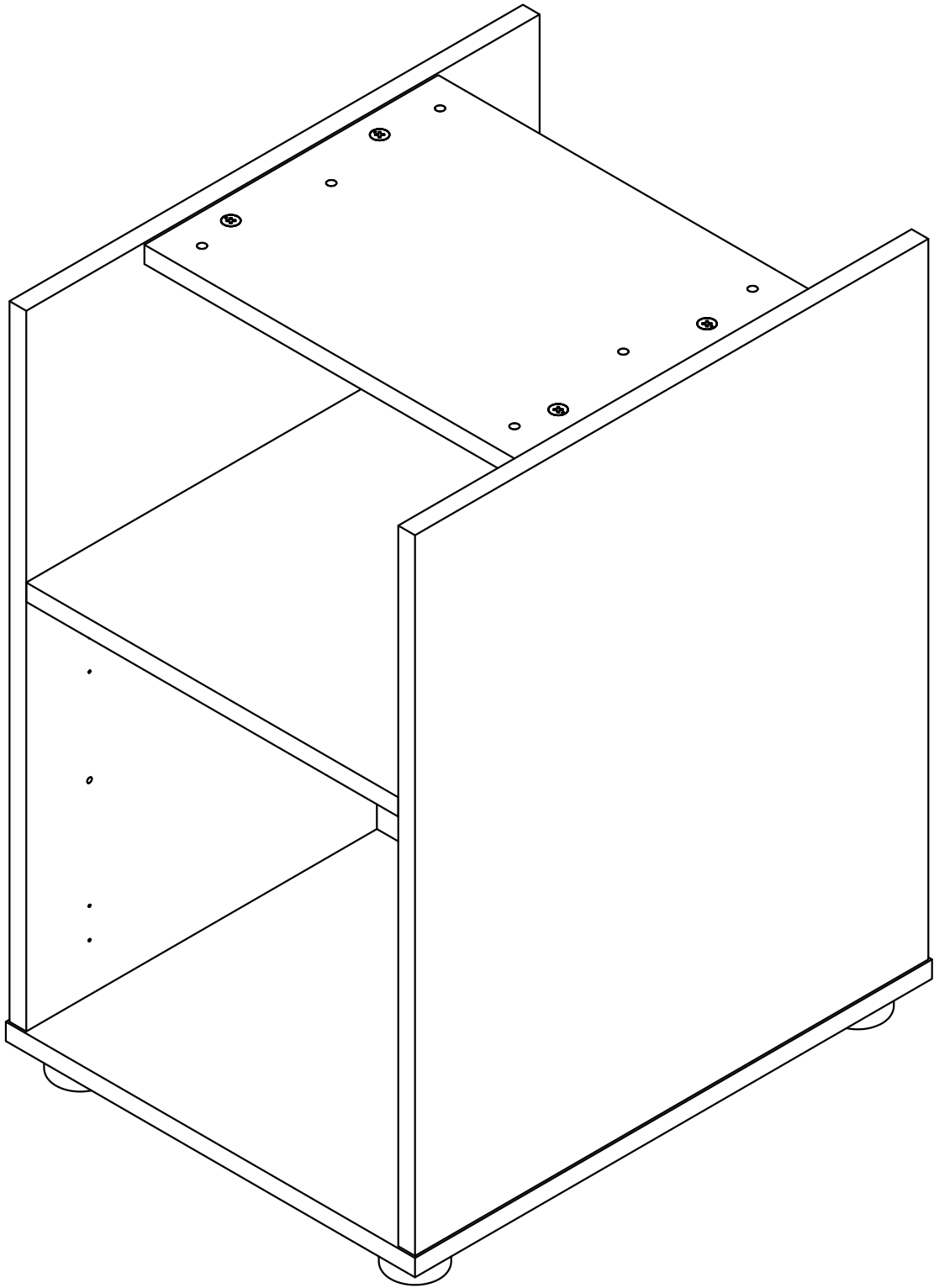


4

**Step 4**  
Insert ferrules and feet into the end of the legs. Once attached turn the table over to its upright position. Recommended 2 person lift

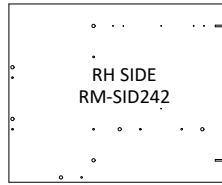
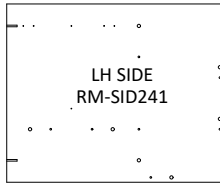
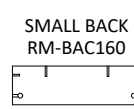
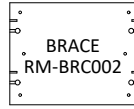
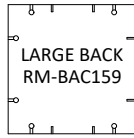
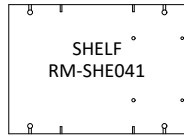
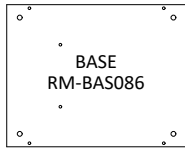


# SUPPORT PED



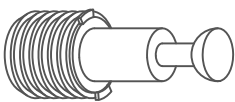


## Please check that you have all the panels!



## Please check that you have all the hardware!

QUANTITY - 16



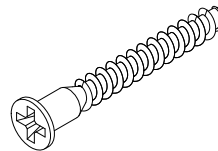
24mm QUICKFIX PIN  
RM-BLT006

QUANTITY - 16



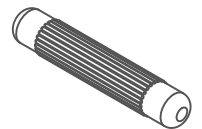
15mm QUICKFIX CAM  
RM-CAM03

QUANTITY - 8



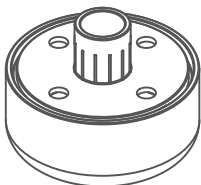
50mm CONFIRMAT SCREW  
RM-CFM05

QUANTITY - 14



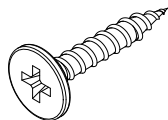
30 x 5mm WOOD DOWEL  
RM-WOW01

QUANTITY - 4



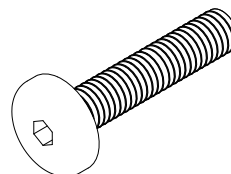
50mm ADJUSTABLE FOOT

QUANTITY - 8



3.5 x 15mm WOOD SCREW  
RM-SCR26

QUANTITY - 3

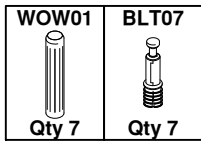
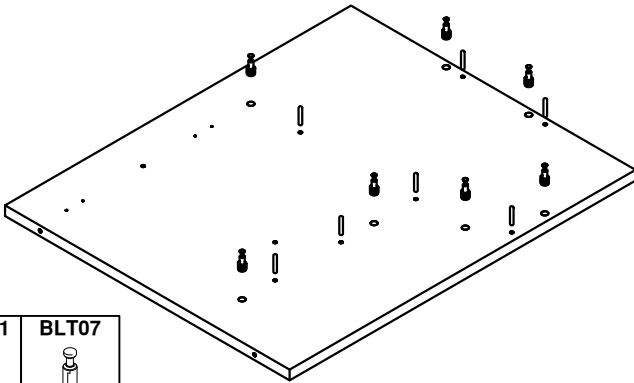


M6 x 30mm CONNECTOR BOLT  
RM-M6X30MM-CON

Prepare all the panels by inserting the listed fittings into the corresponding holes.

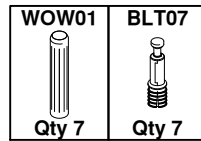
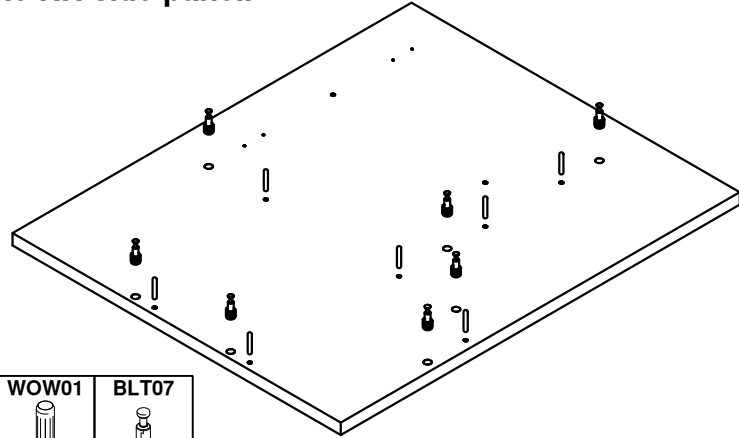
1

**Step 1**  
Insert pins & dowels into the pre drilled holes on the LH side panel.



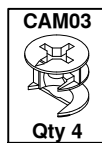
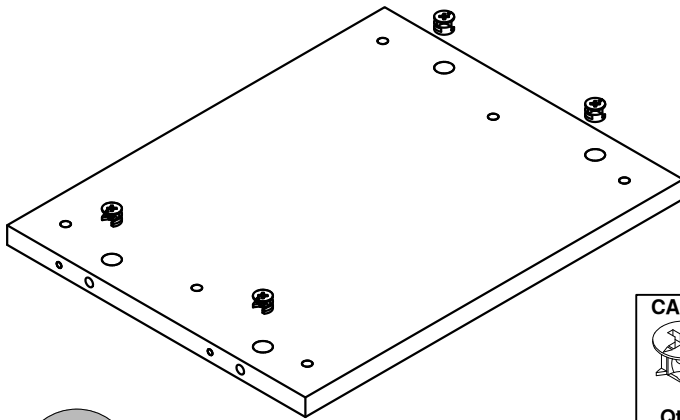
2

**Step 2**  
Insert pins & dowels into the pre drilled holes on the RH side panel.



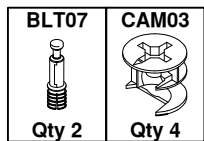
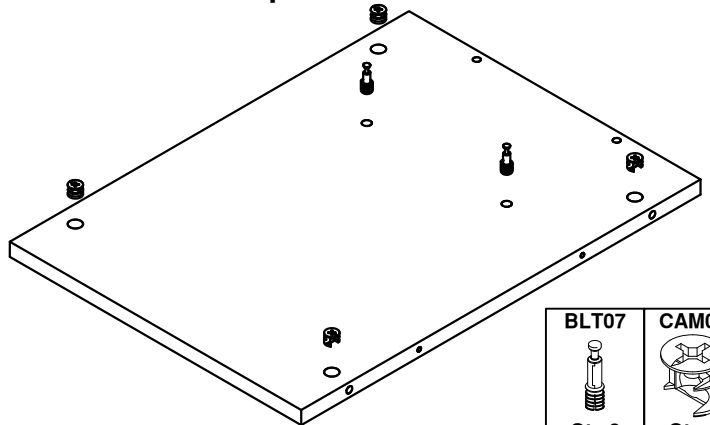
3

**Step 3**  
Insert cams into the pre drilled holes on the brace panel.



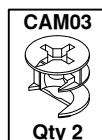
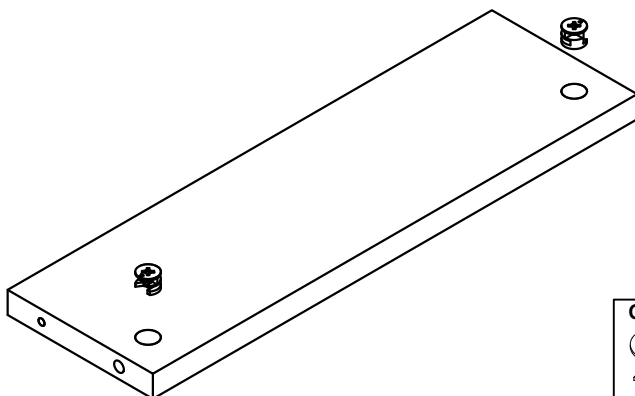
4

**Step 4**  
Insert cams & pins into the pre drilled holes on the shelf panel.



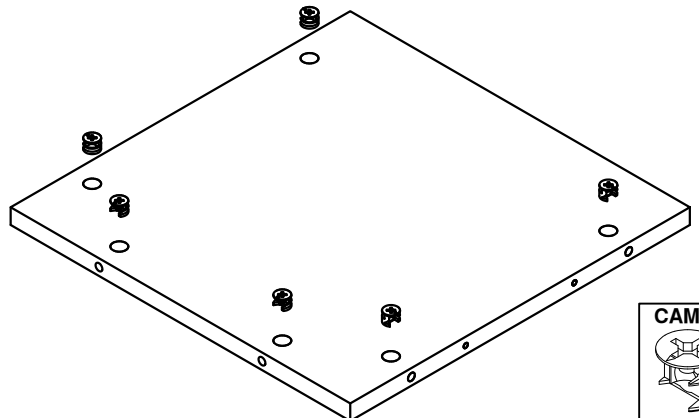
5

**Step 5**  
Insert the cams into pre drilled holes on small back panel.



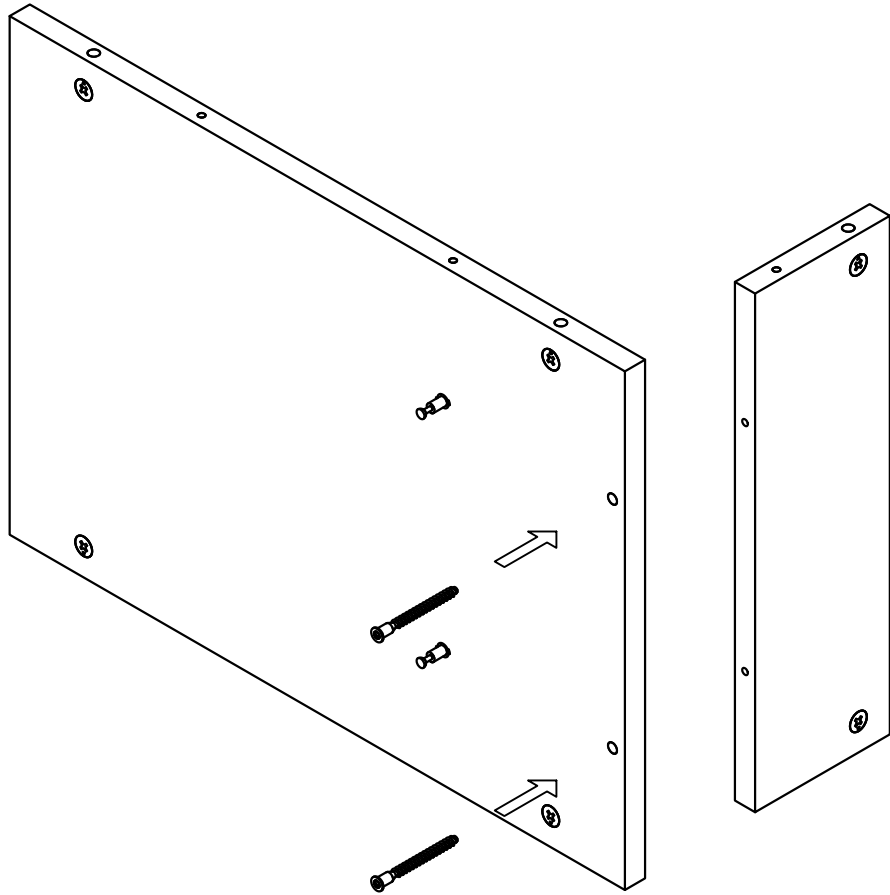
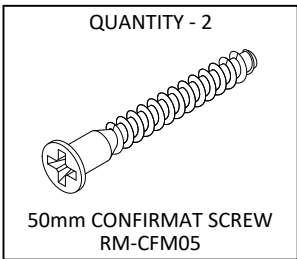
6

**Step 6**  
Insert the cams into pre drilled holes on large back panel.



7

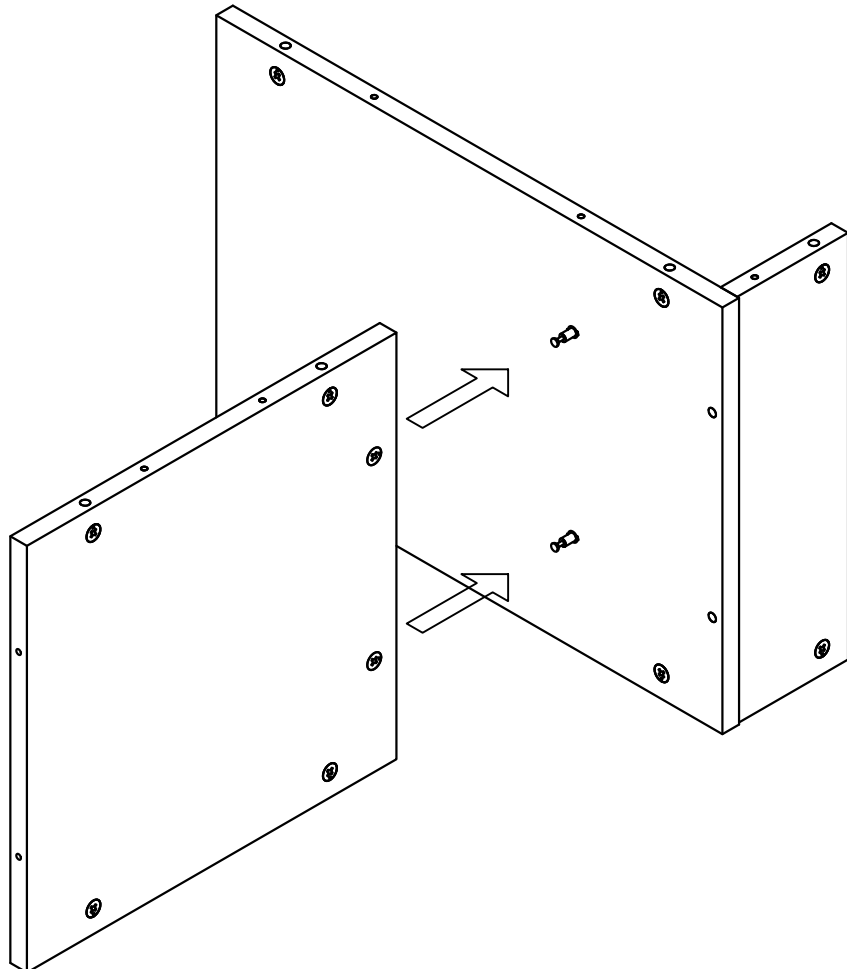
**Step 7**  
Attach small back to shelf panel using confirmat screws provided.



8

**Step 8**  
Attach back panel to shelf.

Once the cams and pins are engaged ensure that the cams are fully tightened.

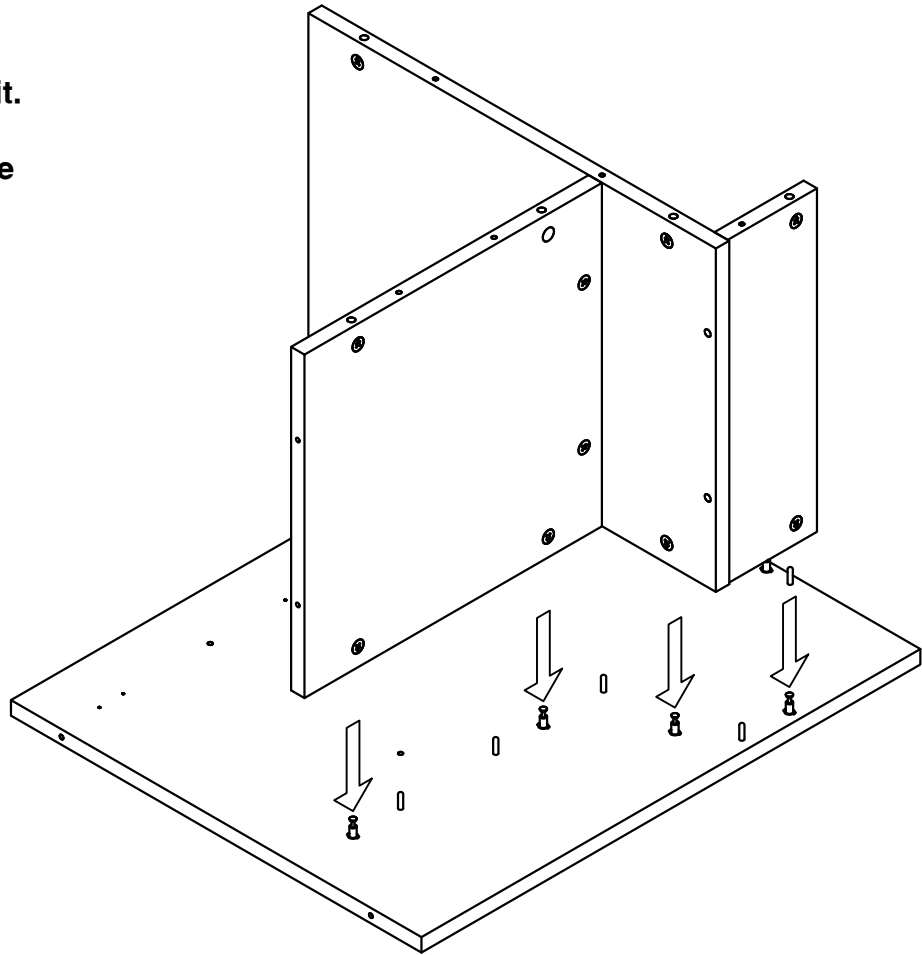




9

**Step 9**  
**Attach LH side panel to unit.**

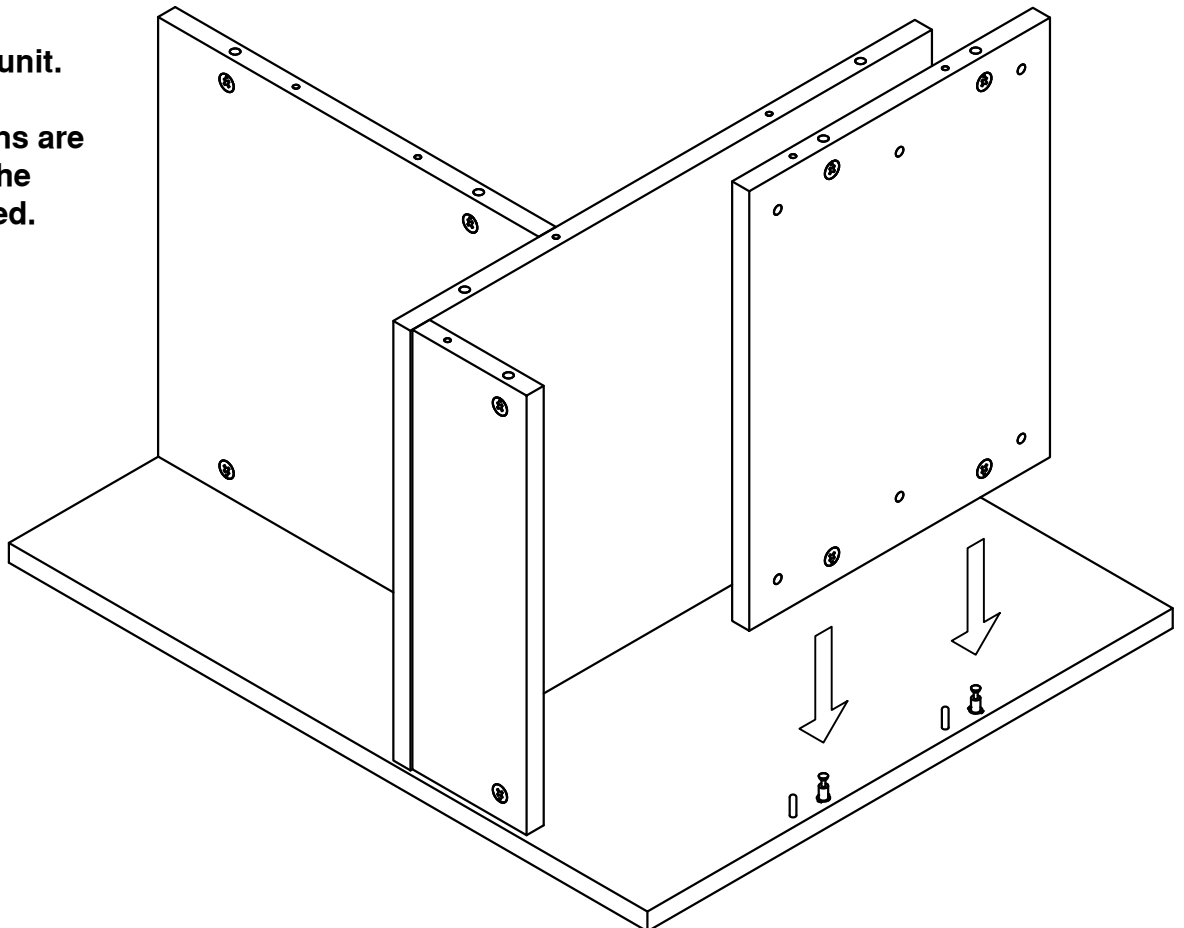
Once the cams and pins are engaged ensure that the cams are fully tightened.



10

**Step 10**  
**Attach brace panel to unit.**

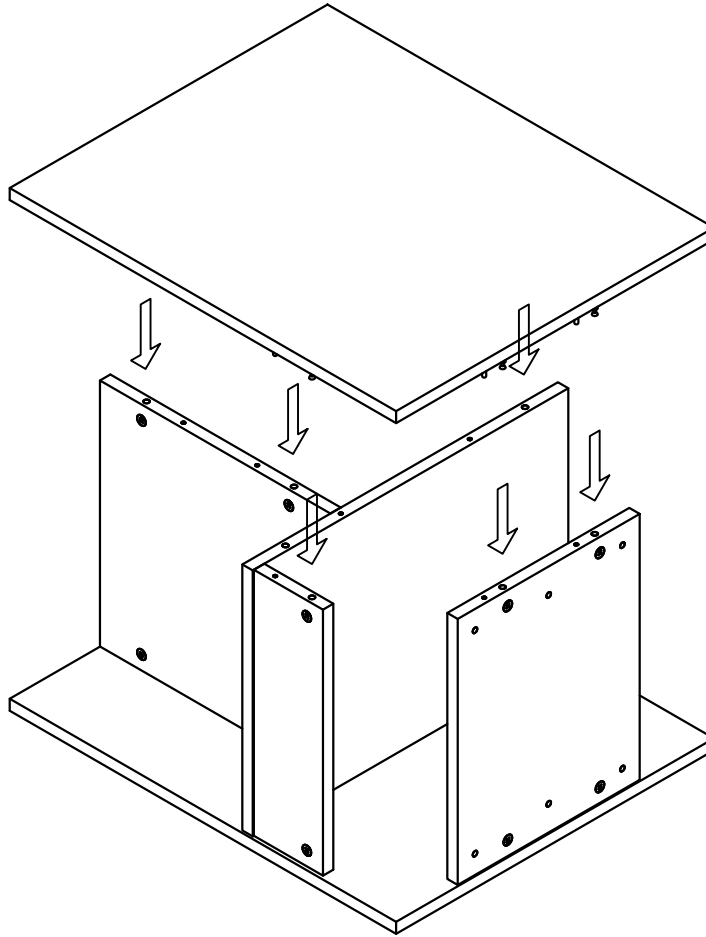
Once the cams and pins are engaged ensure that the cams are fully tightened.



11

**Step 11**  
**Attach the RH side panel to unit.**

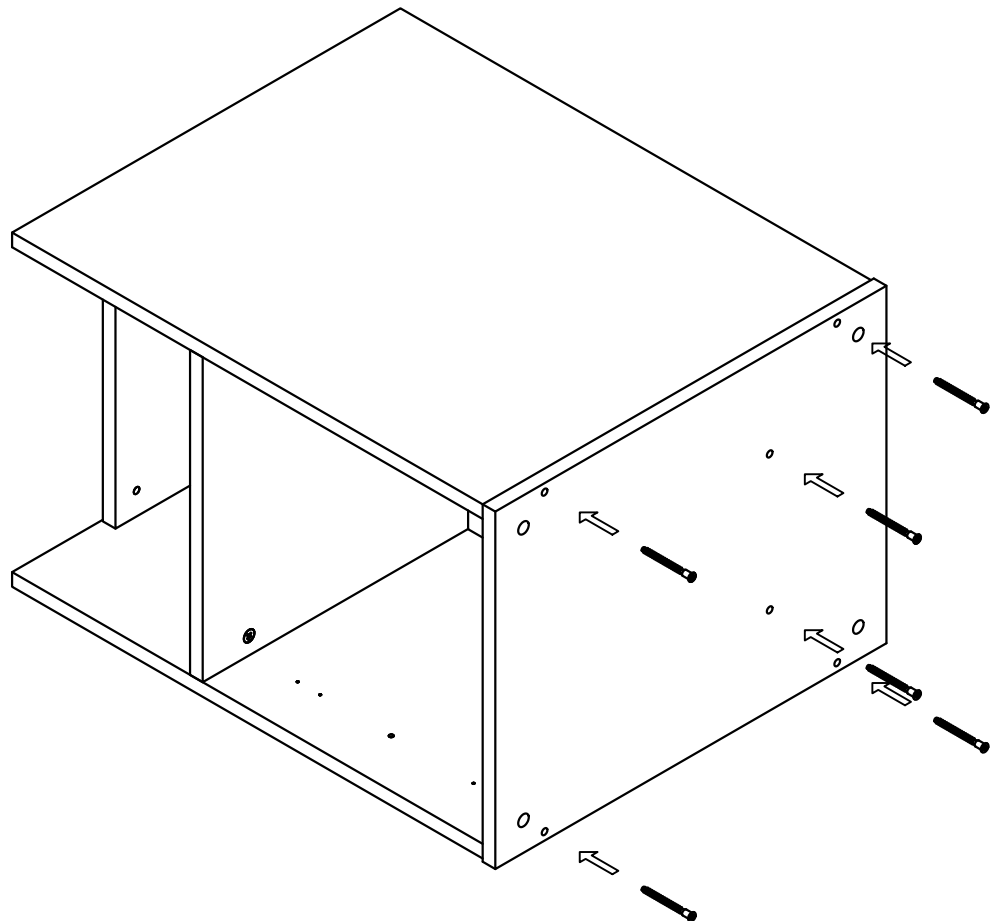
Once the cams and pins are engaged ensure that the cams are fully tightened.



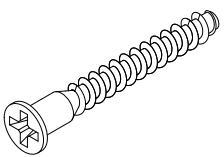
12

**Step 12**  
**Attach the base to the unit.**  
using the confirmat screws provided.

Ensure they are fully screwed in before attempting to attach the adjustable feet.



QUANTITY - 2



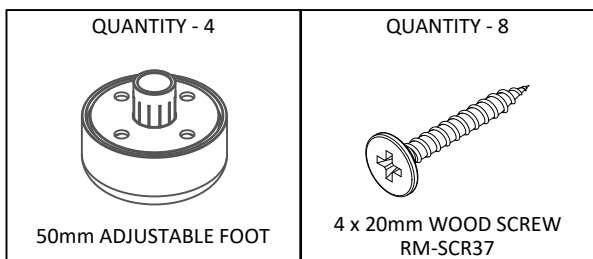
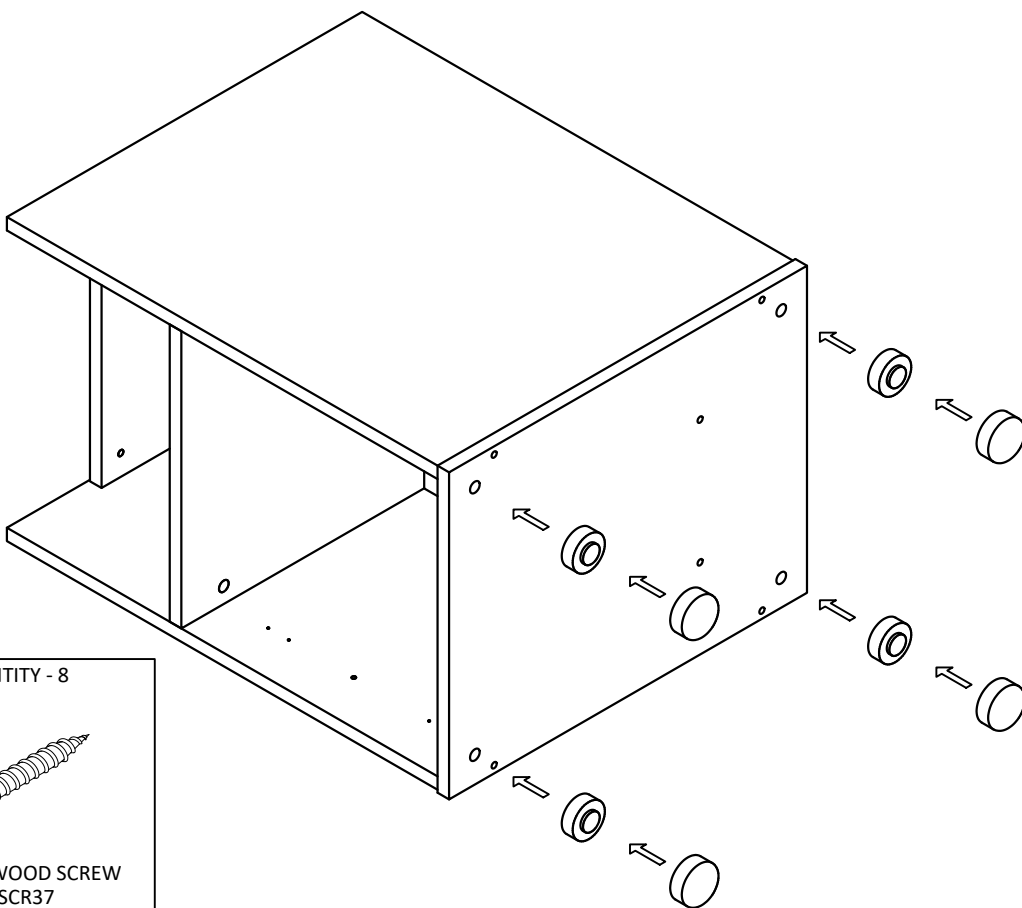
50mm CONFIRMAT SCREW  
RM-CFM05

# 13

**Step 13**  
**Attach the 4 adjustable feet inner housings to the base of the unit.**

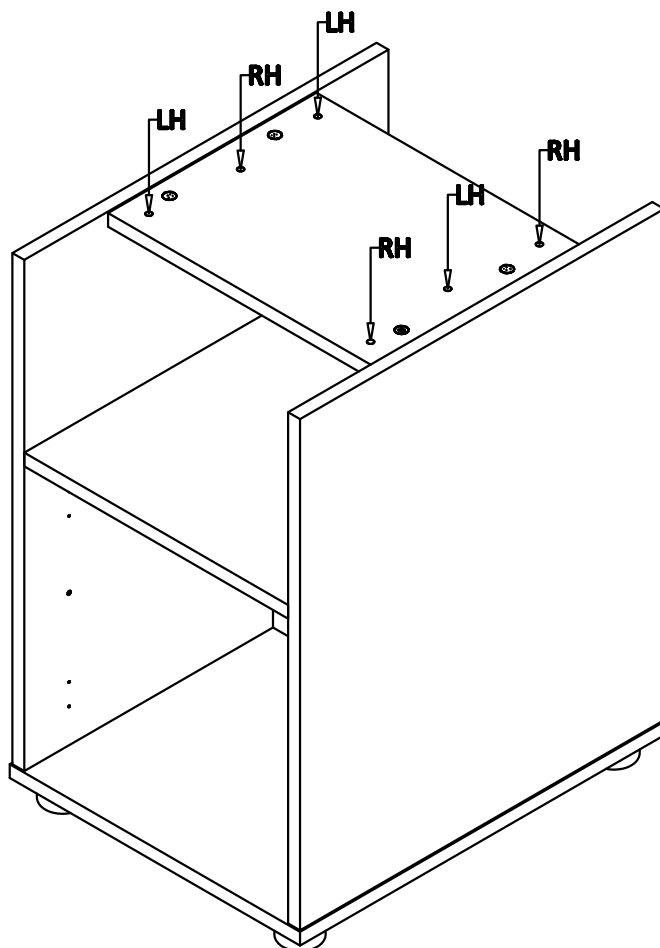
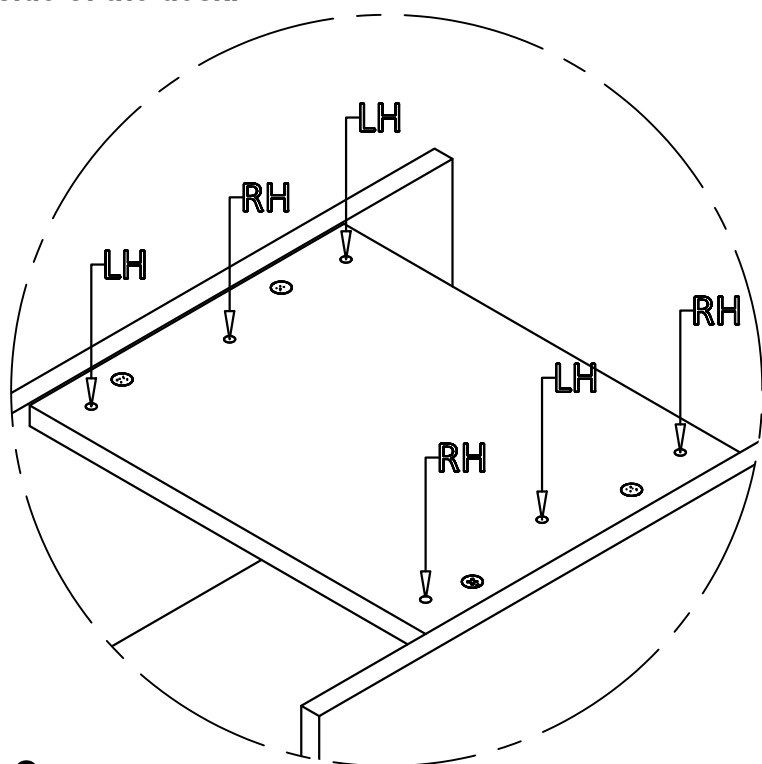
Each foot should be attached using 2 of the 4x20mm wood screws provided.

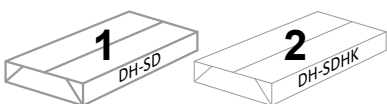
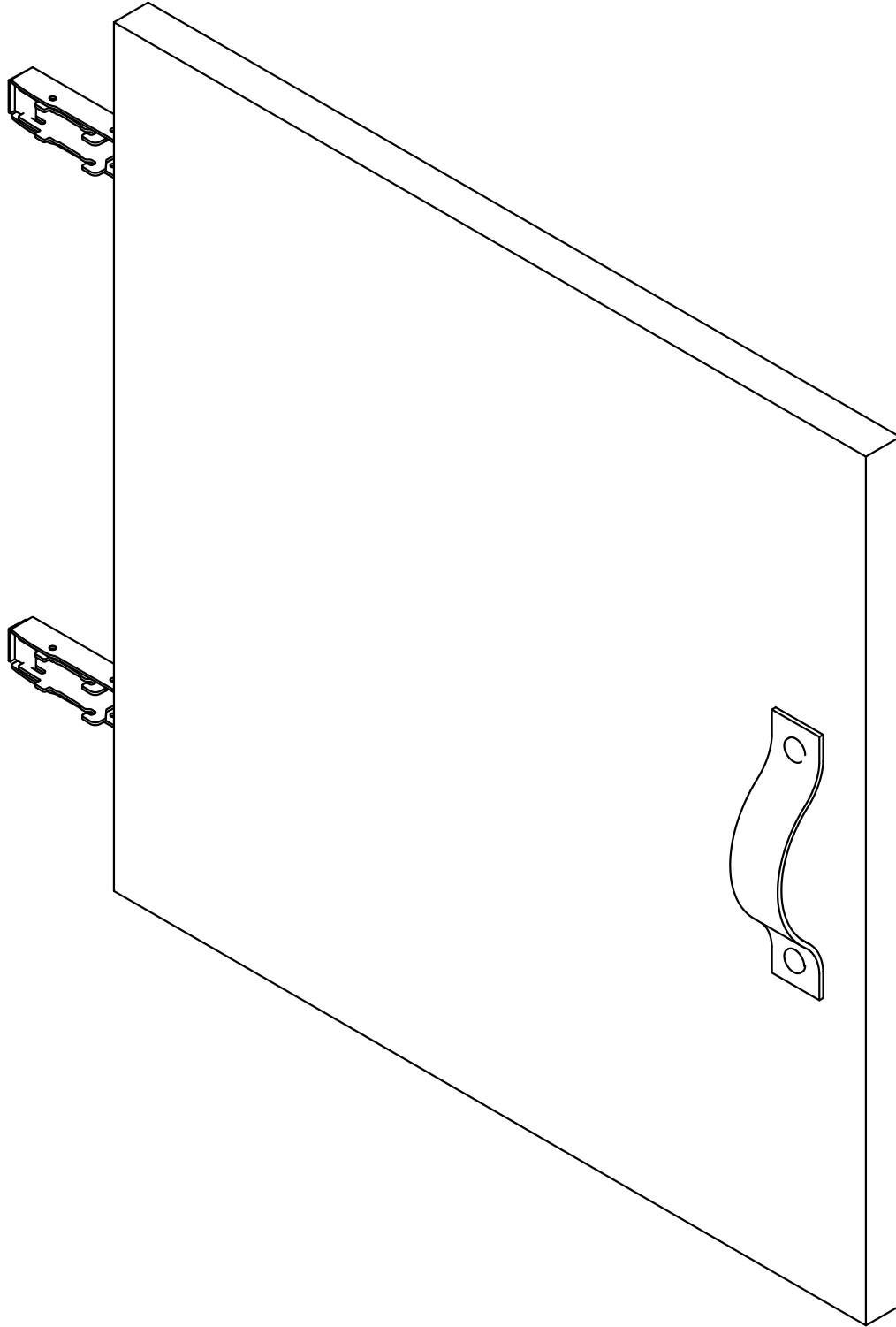
Once attached screw on the adjustable foot outer housing.



# 14

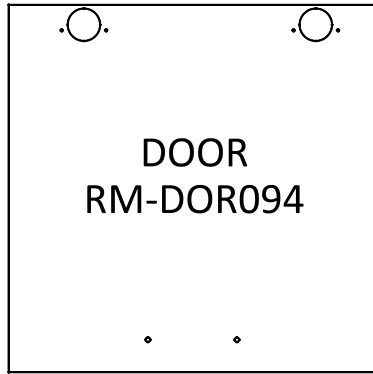
**Step 14**  
**Stand the unit upright and position in your desired location to the LH or RH side of the desk.**







Please check that you have all the panels!



Please check that you have all the hardware!

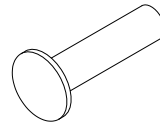


QUANTITY - 2



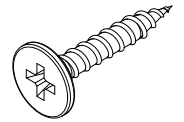
M4 x 6mm SLOTTED SCREW  
RM-SCR27

QUANTITY - 2



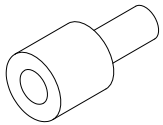
M4 x 20mm BOOK SCREW  
RM-SCR28

QUANTITY - 4



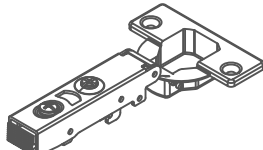
3.5 x 15mm WOOD SCREW  
RM-SCR26

QUANTITY - 1



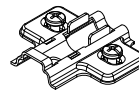
5mm Door Stop Peg

QUANTITY - 2



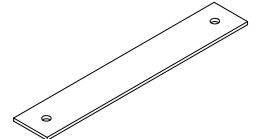
110' CLIP ON - SOFT CLOSE

QUANTITY - 2



CLIP ON HINGE PLATE

QUANTITY - 1



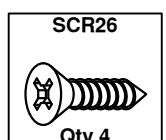
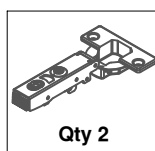
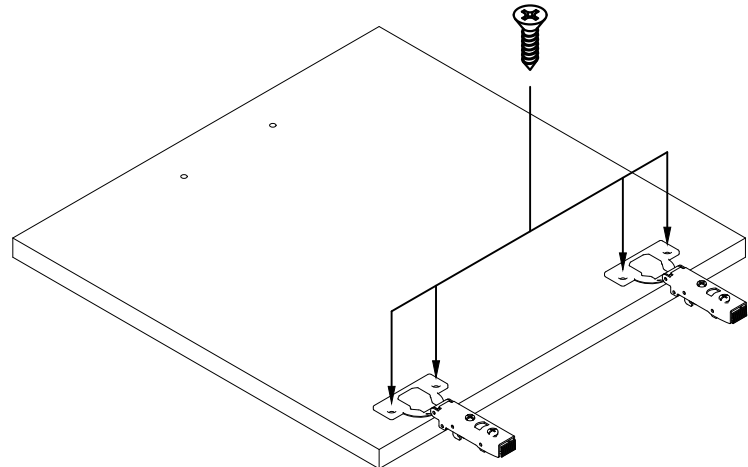
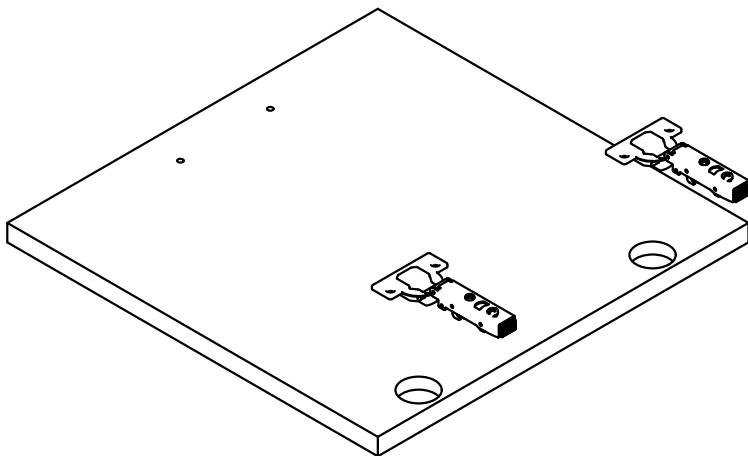
LEATHER STRAP HANDLE  
RM-HDL18

1

2

**Step 1**  
Place the hinges into the pre drilled holes on the inside face of the door panel.

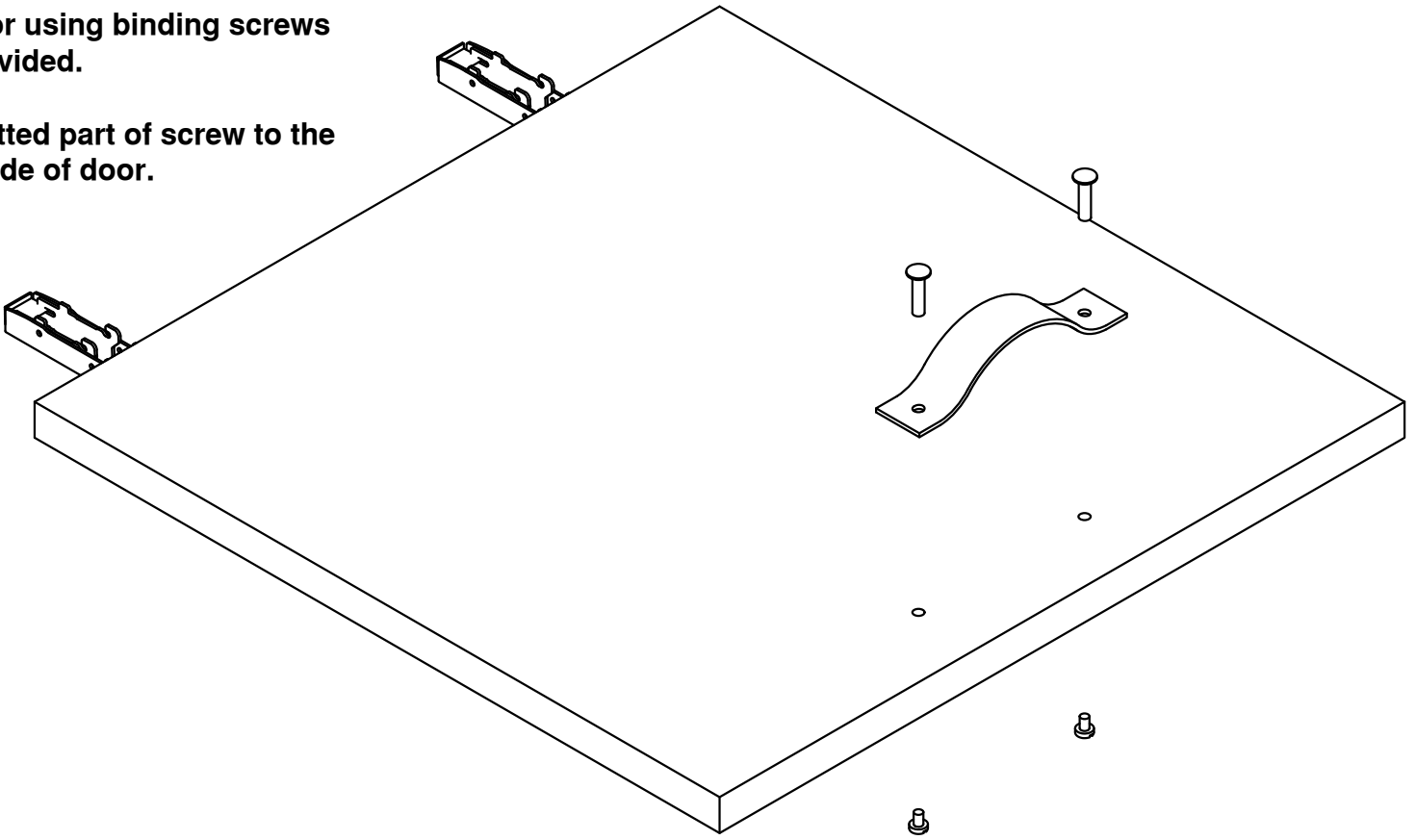
**Step 2**  
Attach the hinges using the 3.5 x 15mm wood screws, 2 screws per hinge.



3

**Step 3**  
Attach leather handle to door using binding screws provided.

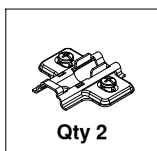
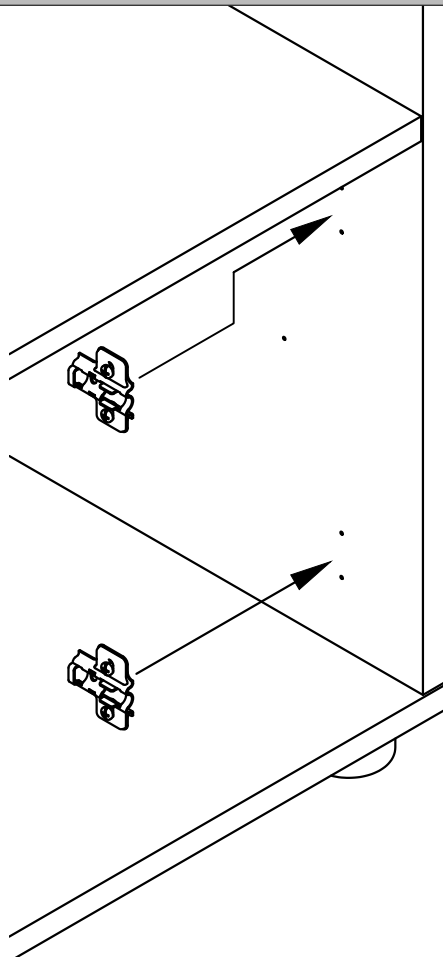
Slotted part of screw to the inside of door.



4

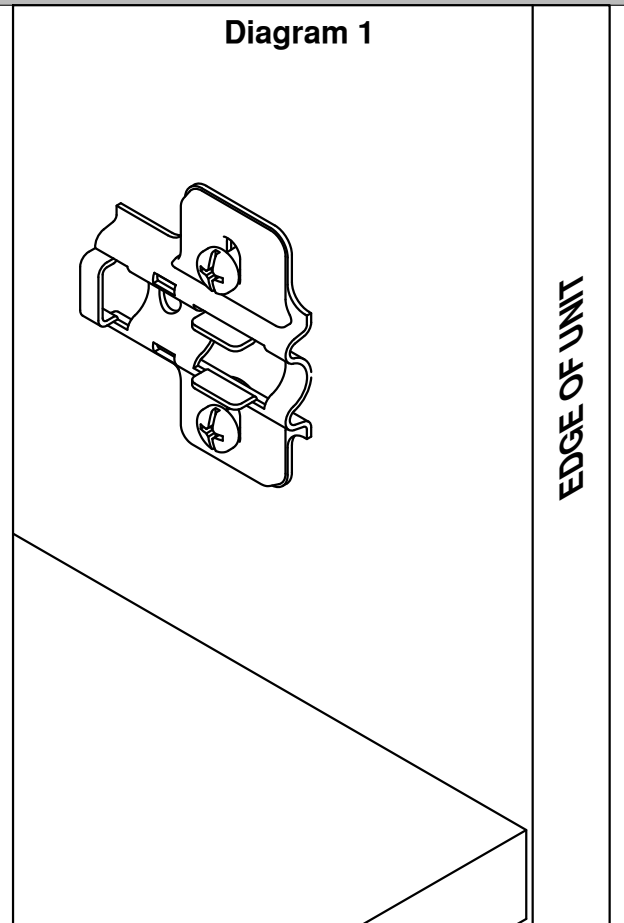
**Step 4**  
Attach the hinge plates to the pre drilled holes on the inside face of the bookcase side panels, these plates are fitted with pre attached screws.

Ensure the plate is fitted as per diagram 1.



Qty 2

Diagram 1



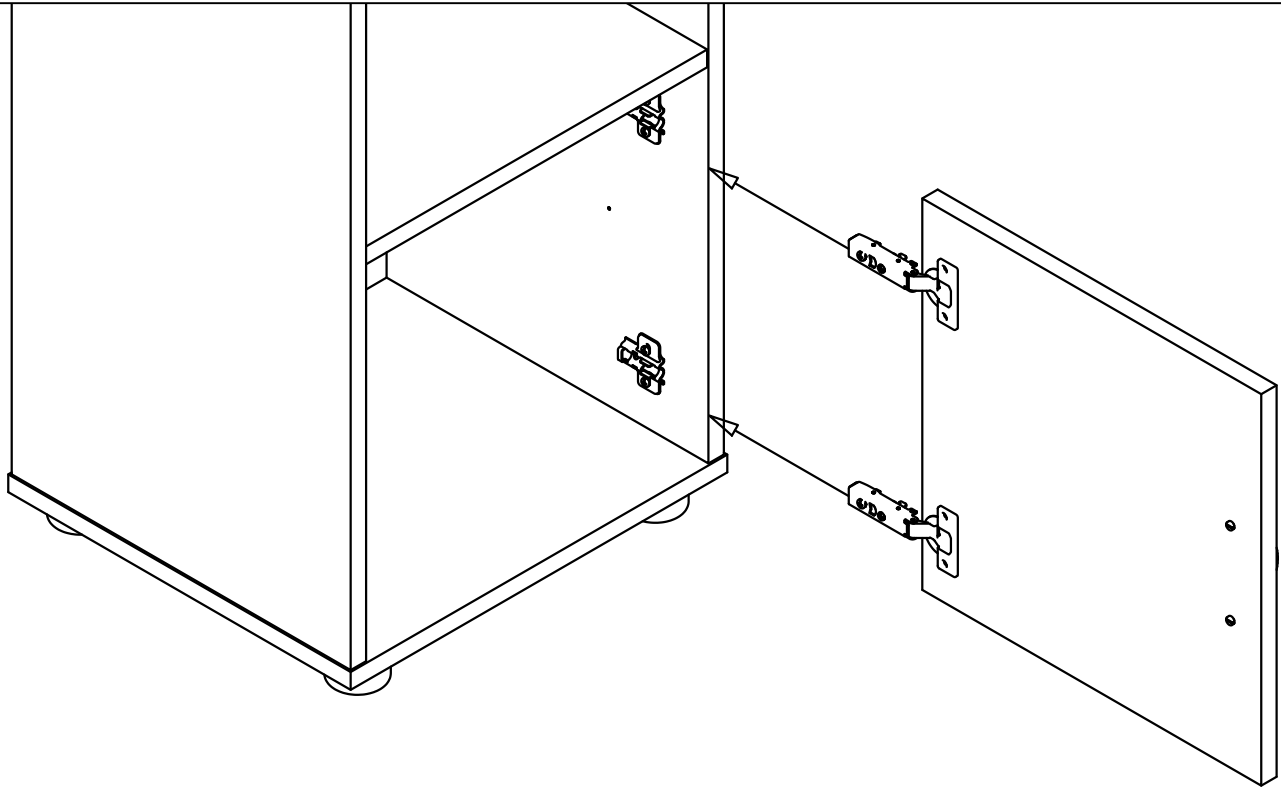
EDGE OF UNIT

3

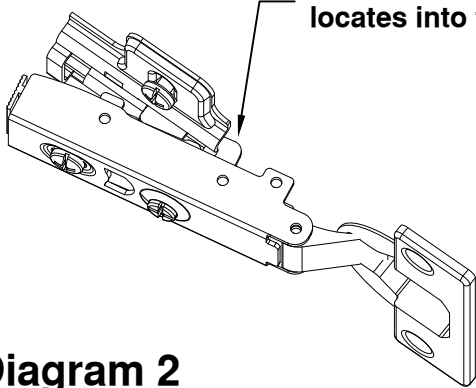
**Step 5**

Attach door to the unit. Diagrams 2 & 3 show how to lock the hinge to the plate. Always lock the top hinge into place first before repeating for bottom hinge.

Once the door is attached insert the door stop peg to prevent the door from closing in too far.

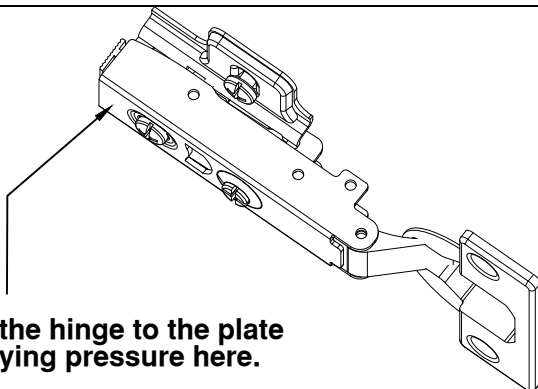


Ensure the hook of the hinge locates into the hinge plate.

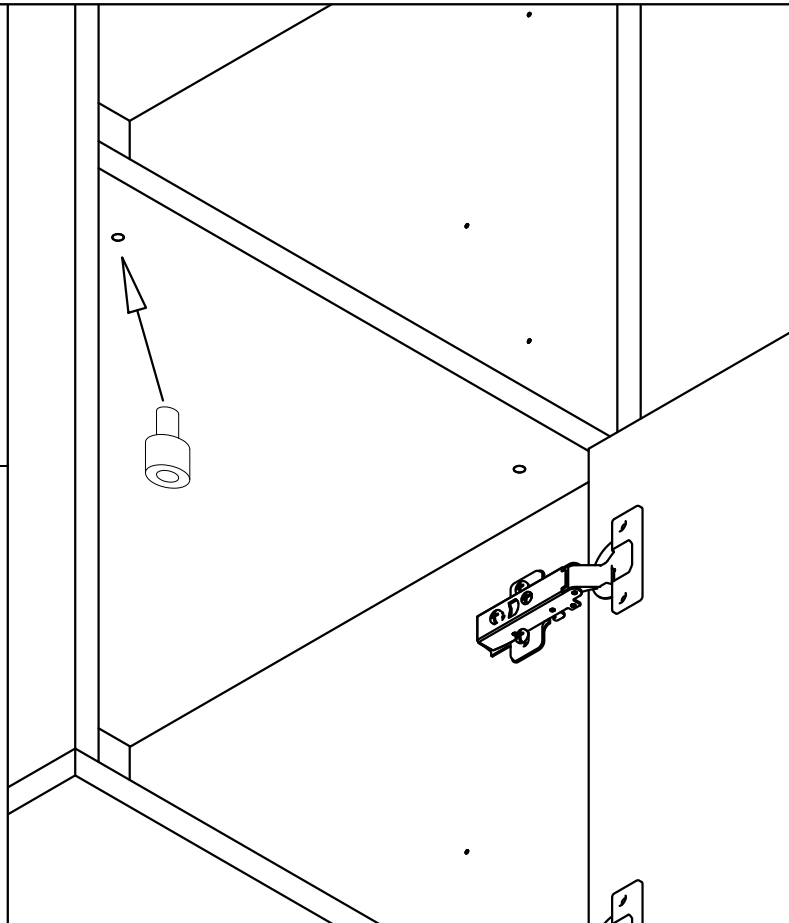


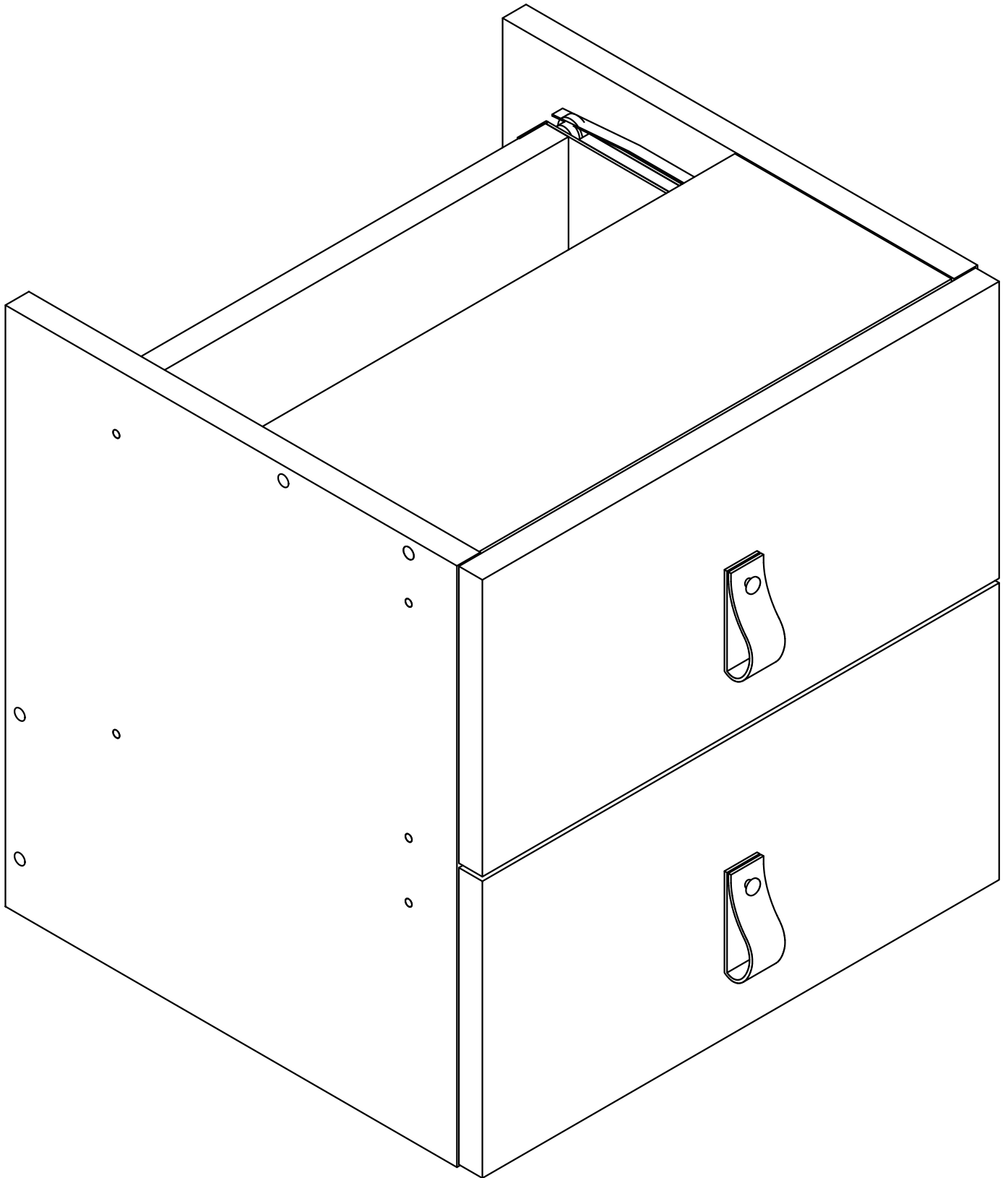
**Diagram 2**

Fasten the hinge to the plate by applying pressure here.



**Diagram 3**

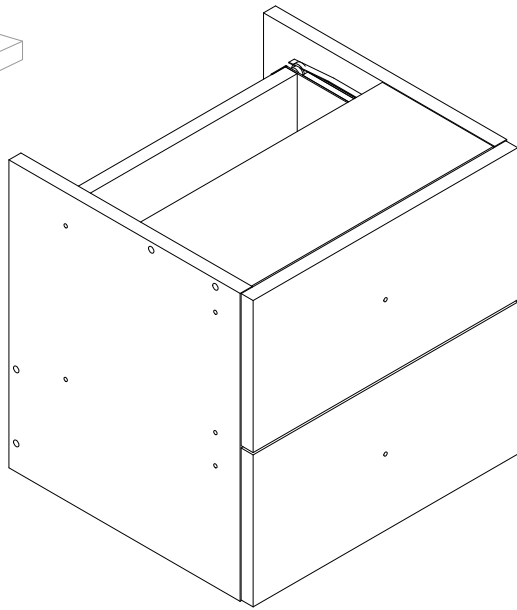




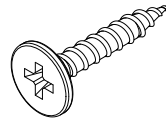




# Please check that you have all the components

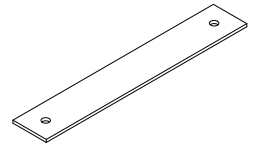


QUANTITY - 2



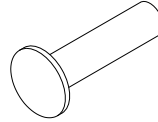
8 x 1 1/4 WOOD SCREW  
RM-SCR12

QUANTITY - 2



LEATHER STRAP HANDLE  
RM-HDL18

QUANTITY - 2



M4 x 20mm BOOK SCREW  
RM-SCR28

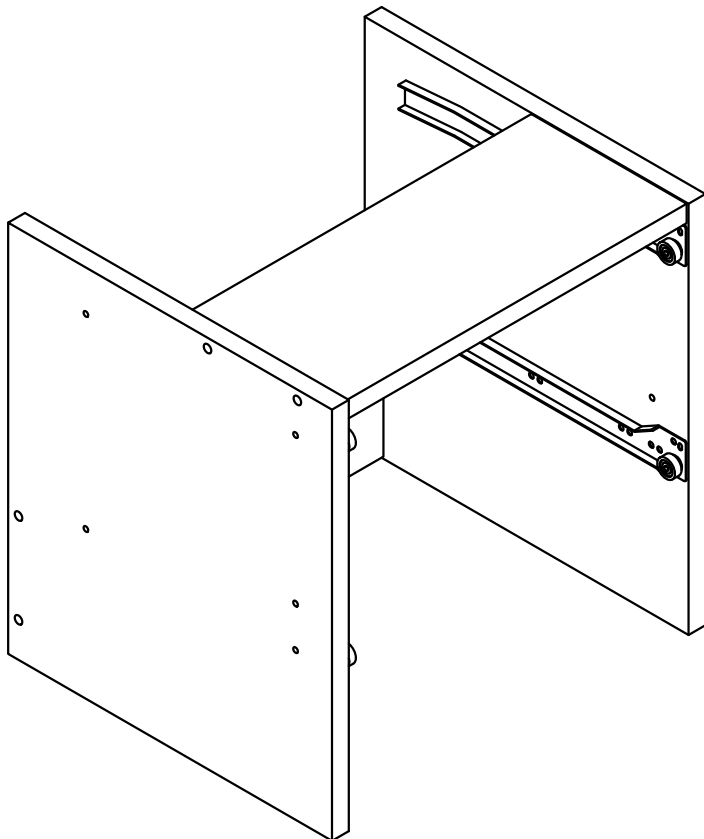
QUANTITY - 2



M4 x 6mm SLOTTED SCREW  
RM-SCR27

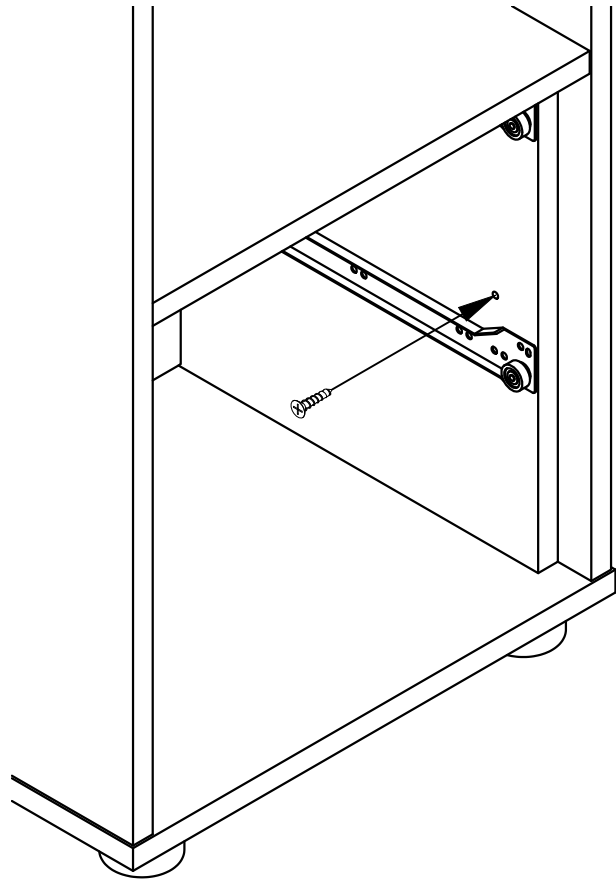
1

**Step 1**  
Remove the drawers from unit.



2

**Step 2**  
Insert cartridge into desired location and fix in place using wood screw into pre drilled holes both sides.



SCR12

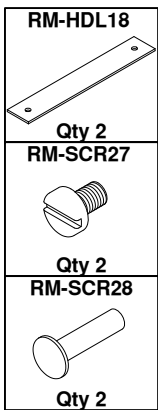
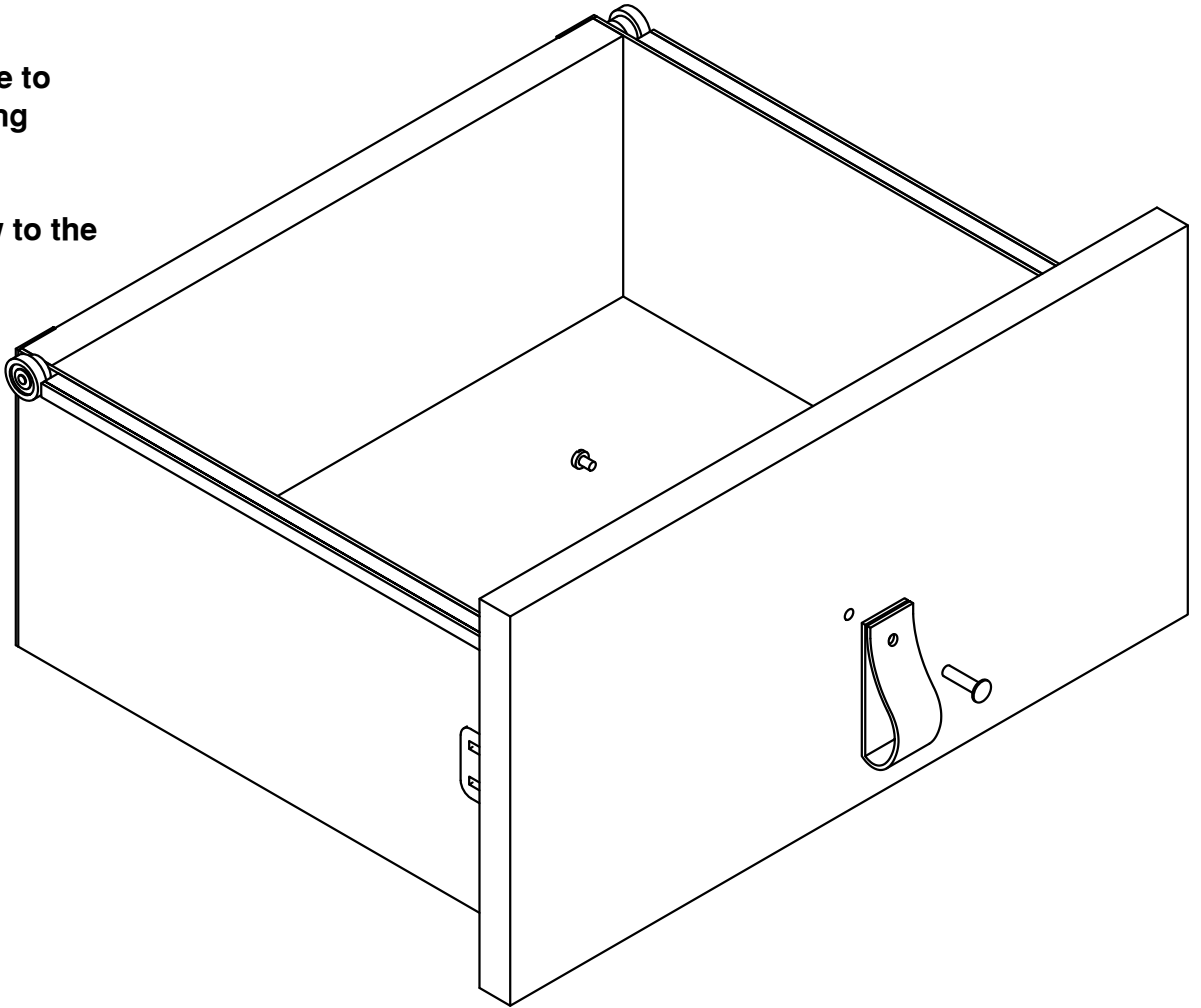


Qty 2

3

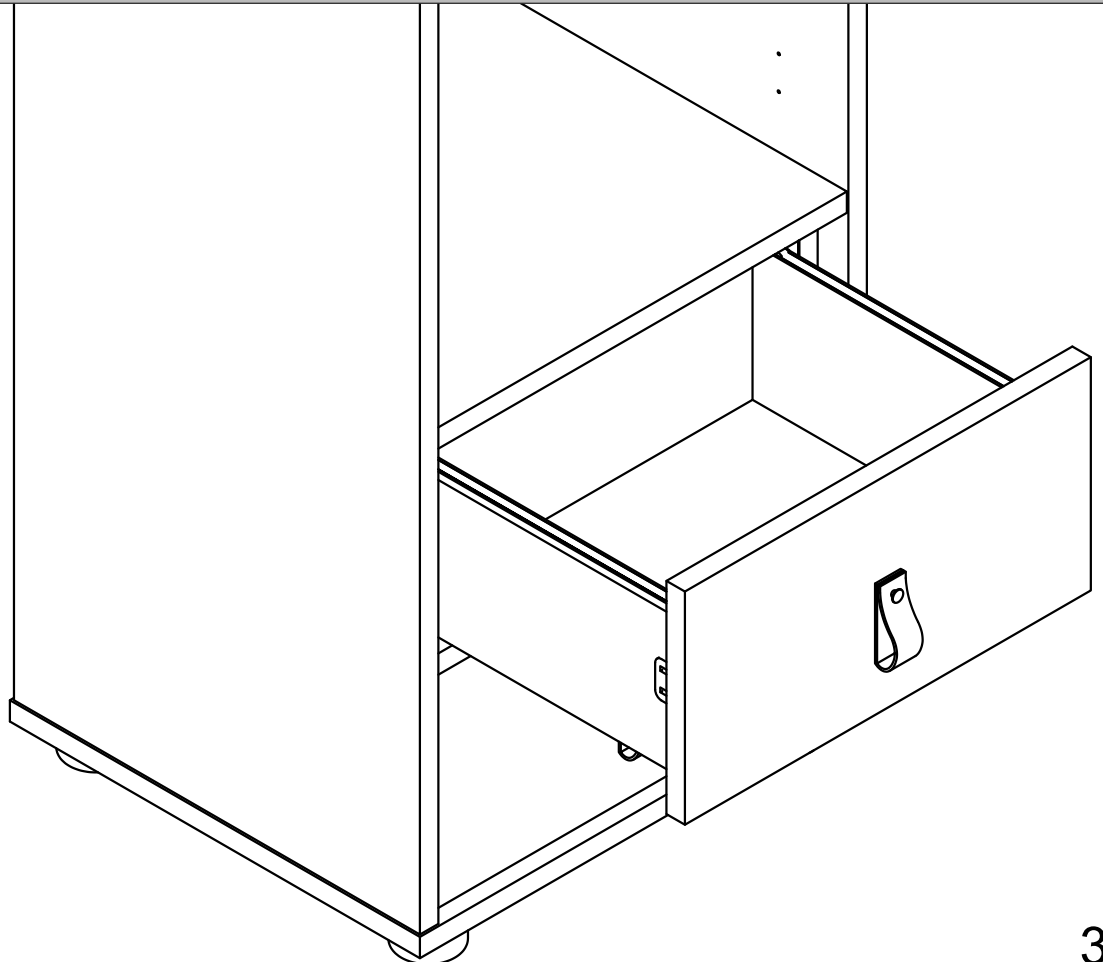
**Step 3**  
Attach leather handle to drawers using binding screws provided.

Slotted part of screw to the inside of drawer.



4

**Step 4**  
Insert both drawer boxes back into the cartridge unit.



5

**Step 5**  
**Cartridge in position.**

