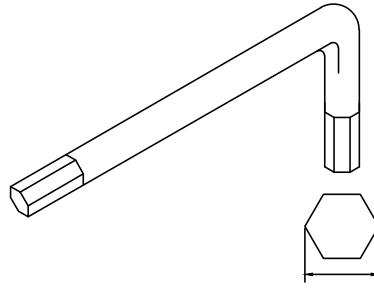
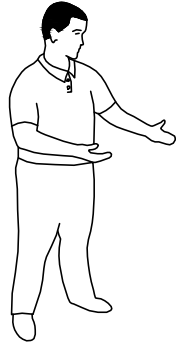


Enable Tables



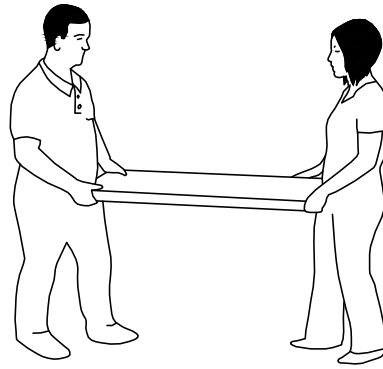
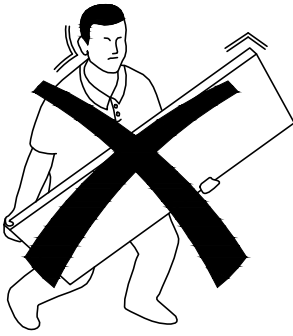
Assembly Instructions

**TOOLS REQUIRED
FOR ASSEMBLY**

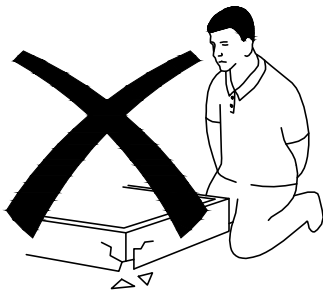


5mm Allen key provided

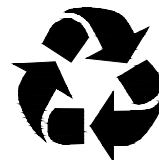
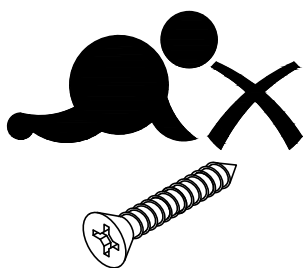
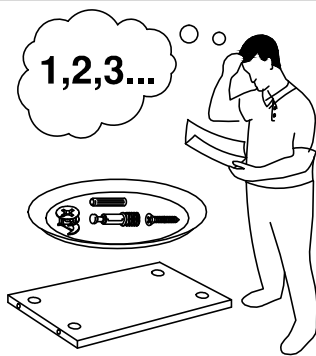
**DONT STRUGGLE
2 MAN LIFT**



**ALWAYS HANDLE
ITEMS WITH CARE**

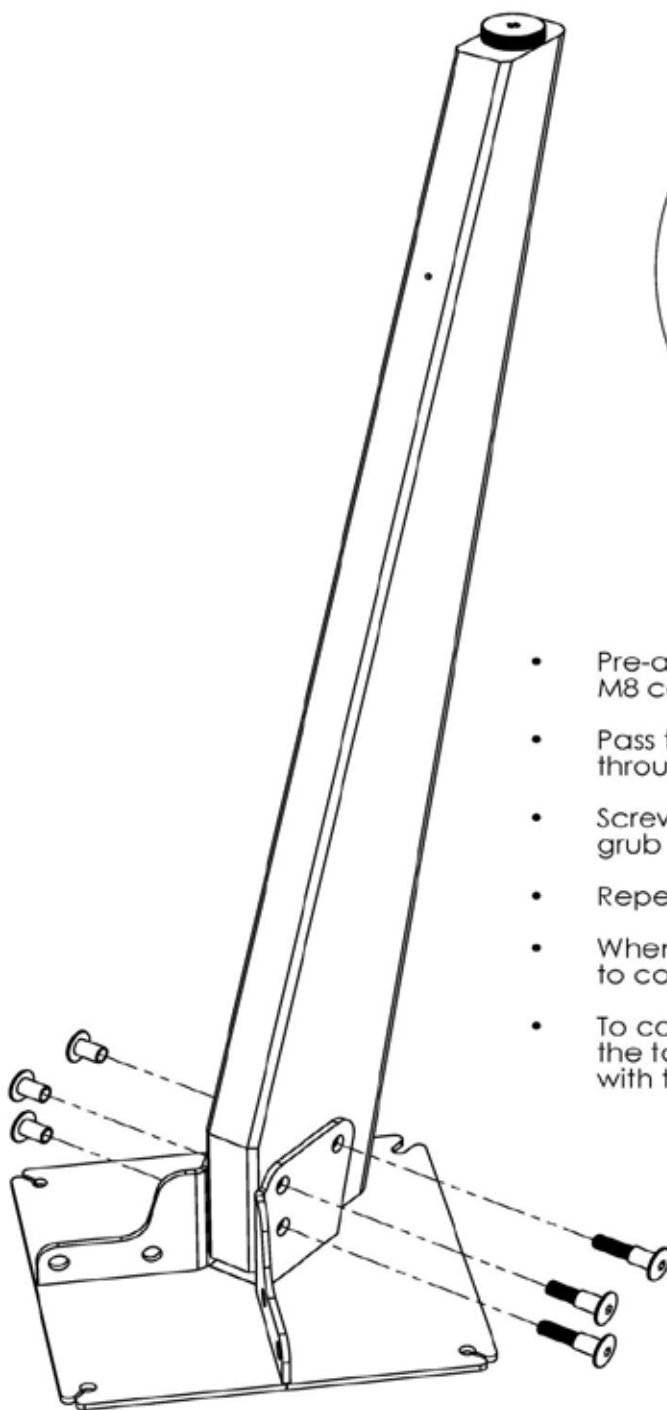


**IF UNSURE CALL
FOR ASSISTANCE**

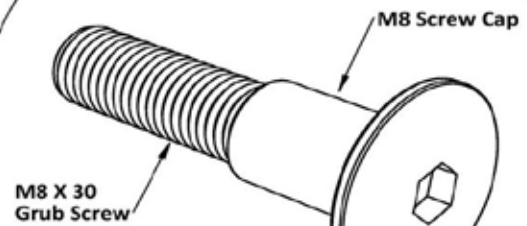


CORNER LEG

Assembly instructions



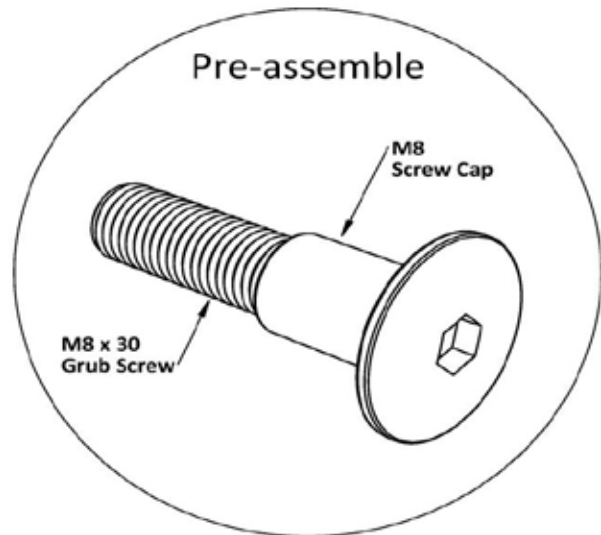
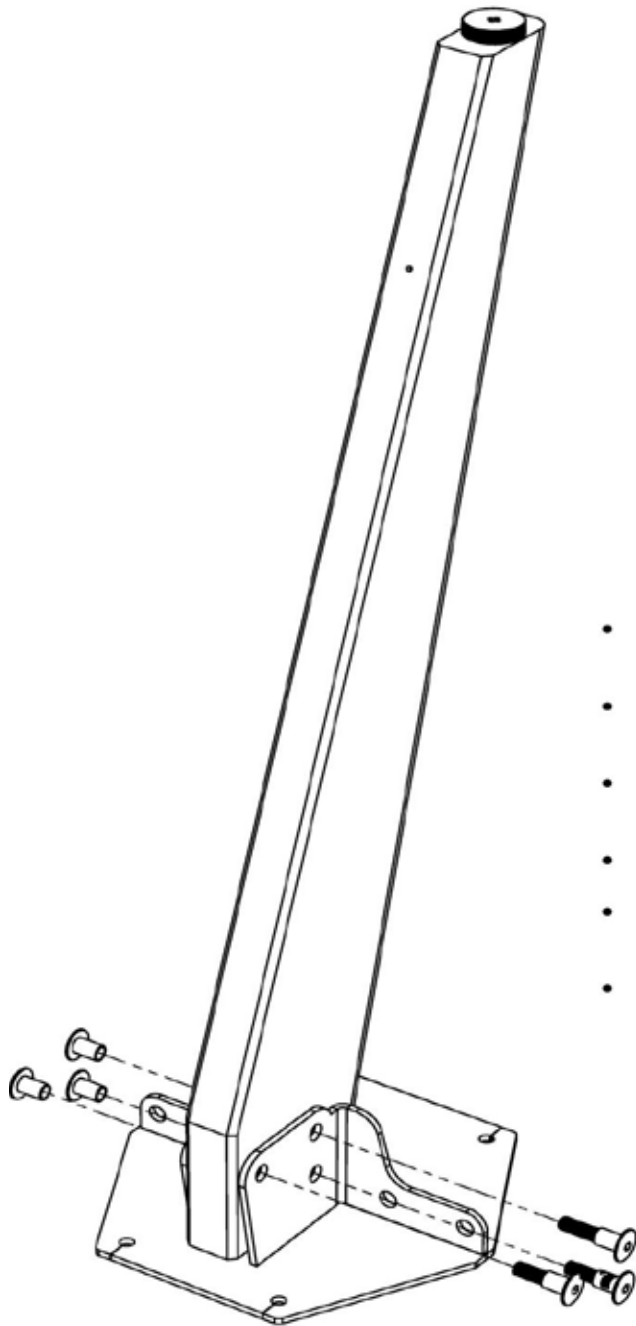
Pre-assemble



- Pre-assemble an M8 grub screw into each of the M8 cap screws supplied.
- Pass the M8 grub screw/cap screw assembly through the connecting bracket and leg.
- Screw another cap screw onto the rear of the grub screw - leave loose at this stage.
- Repeat for all other bolts in the assembly.
- When all bolts are in place, tighten sequentially to complete the assembly.
- To connect the legs to a top, it would be best for the top to be on the floor and then fix in place with the M6 x 15 connector bolts supplied.

INTERMEDIATE LEG

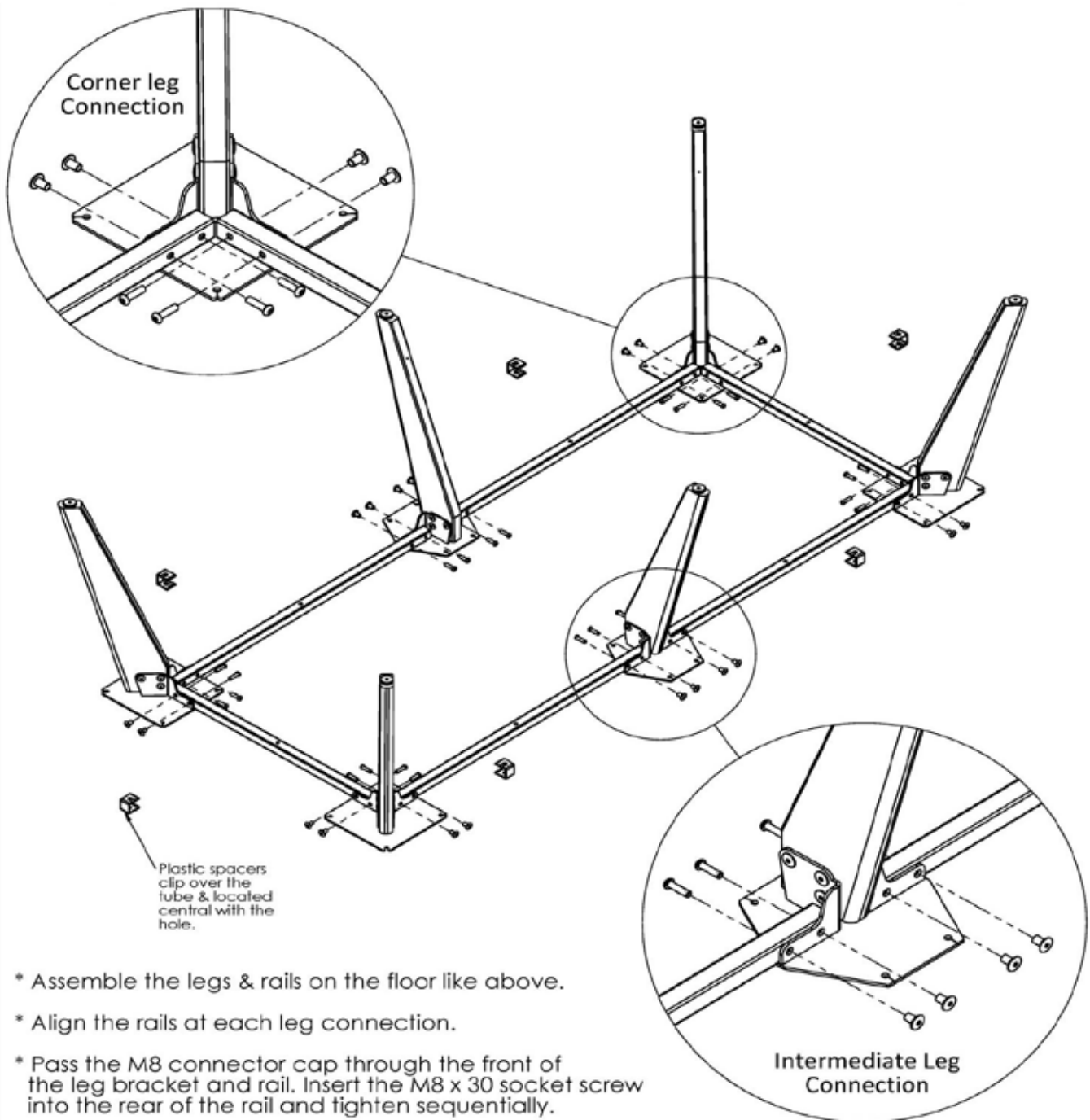
Assembly instructions



- Pre-assemble an M8 grub screw into each of the M8 cap screws supplied.
- Pass the M8 grub screw/cap screw assembly through the connecting bracket and leg.
- Screw another cap screw onto the rear of the grub screw - leave loose at this stage.
- Repeat for all other bolts in the assembly.
- When all bolts are in place, tighten sequentially to complete the assembly.
- To connect the legs to a top, it would be best for the top to be on the floor and then fix in place with the M6 x 15 connector bolts supplied.

FRAME

Assembly instructions



- * Assemble the legs & rails on the floor like above.
- * Align the rails at each leg connection.
- * Pass the M8 connector cap through the front of the leg bracket and rail. Insert the M8 x 30 socket screw into the rear of the rail and tighten sequentially.
- * Turn the frame work over, locate the table top into position and secure in place with M6 x 15 connector bolts through the leg brackets and M6 x 50 connector bolts through the rails.