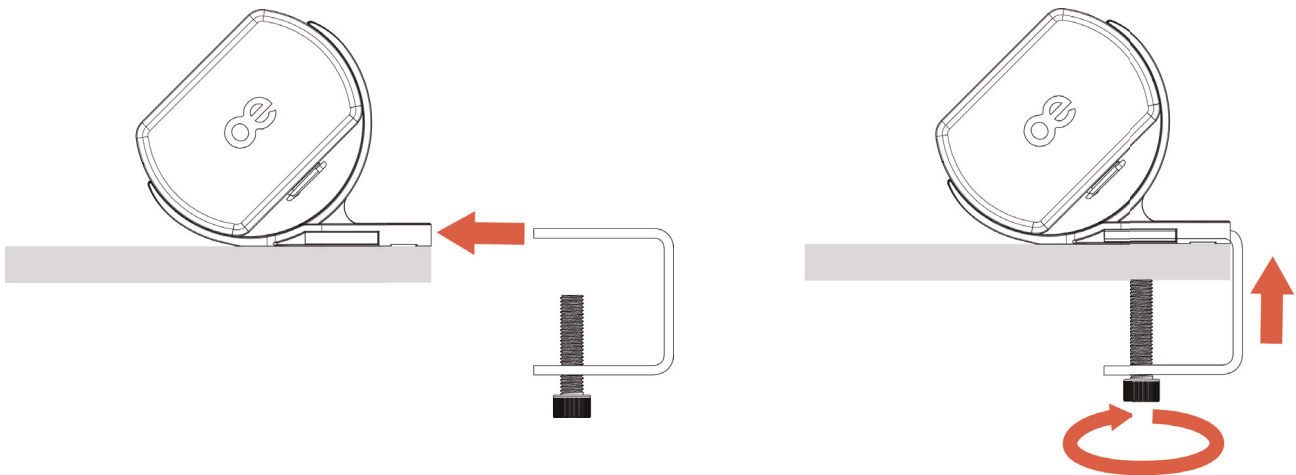
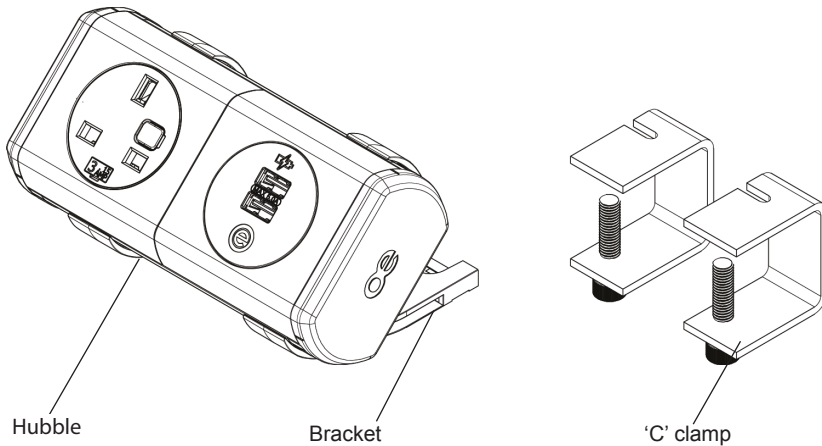


'C' clamp method

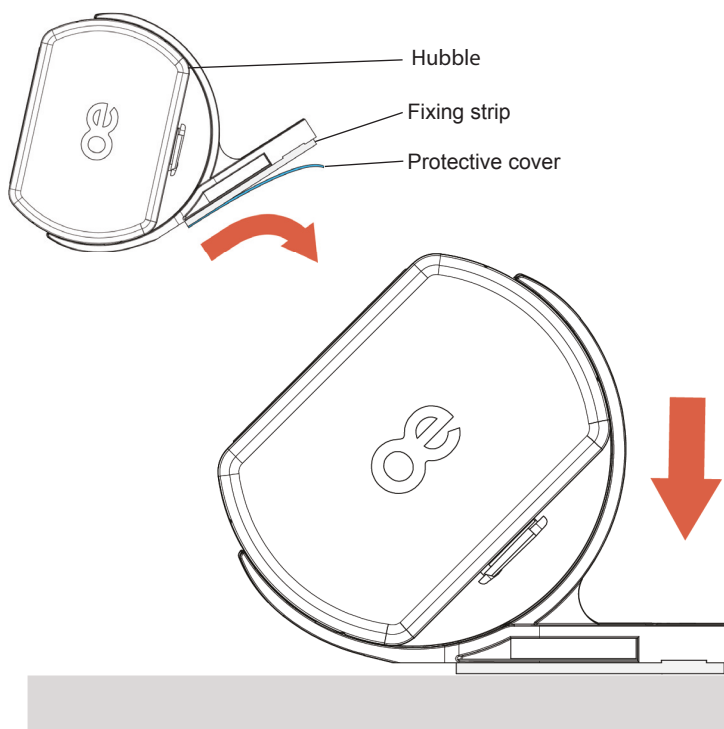


1 Remove Hubble from packaging and decide where on the desk you would like to position the unit.

2 Slide a 'C' clamp into each bracket, assuring that the edge of the bracket is flush with the surface.

3 Tighten the bolts on the 'C' clamp by hand, until the unit is secure.

Fixing strip method



1 Remove Hubble from packaging and decide where on the desk you would like to position the unit.

2 Make sure the surface of the desk on which you are placing the unit is clean and free from grease (Use window cleaner or methylated spirits)

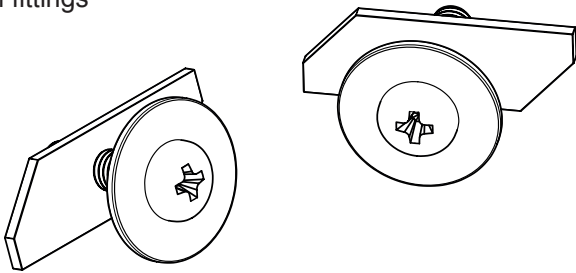
3 Remove the the protective cover film from the underside of the fixing strips

4 Position the unit on the desk and press firmly for 5 seconds

Tool-rail mount method

The fittings supplied with Hubble vary depending on the specifications of the tool rail it will be fixed to. Please speak to our Customer Support team to ensure that your Hubble is dispatched with the correct fixings.

Example of Hubble tool-rail fittings



1. Remove Hubble from packaging and insert the fittings into the Hubble brackets. Decide where on the tool rail you would like to position the unit.
2. Align the fittings with the tool rail, and slot into place.
3. Tighten screws until unit is secure.

