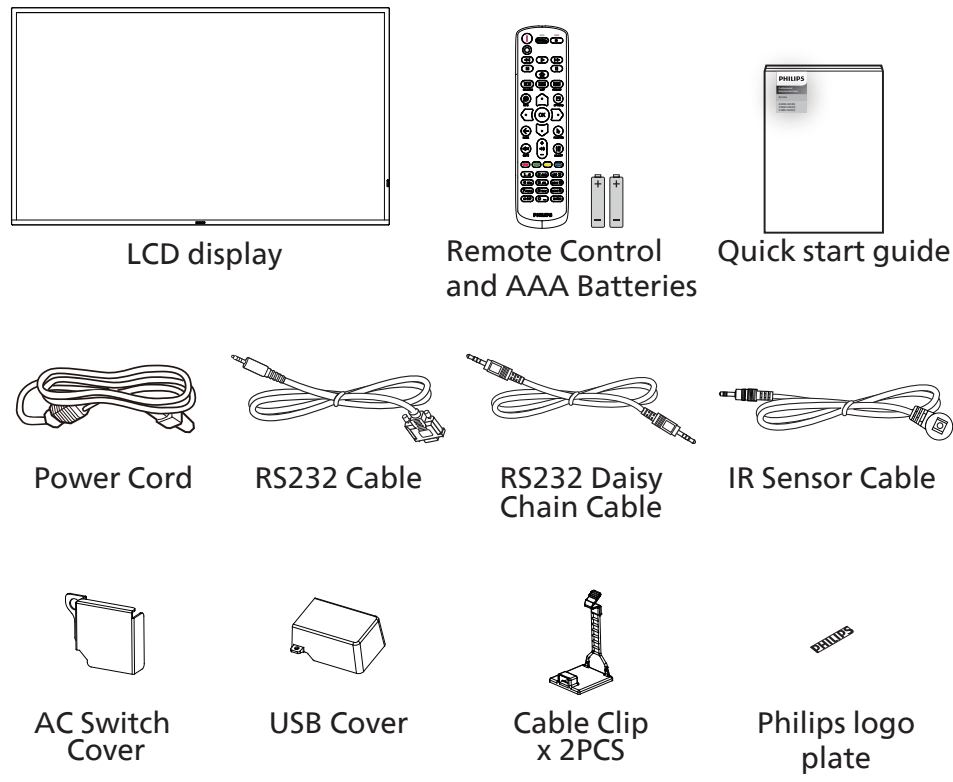


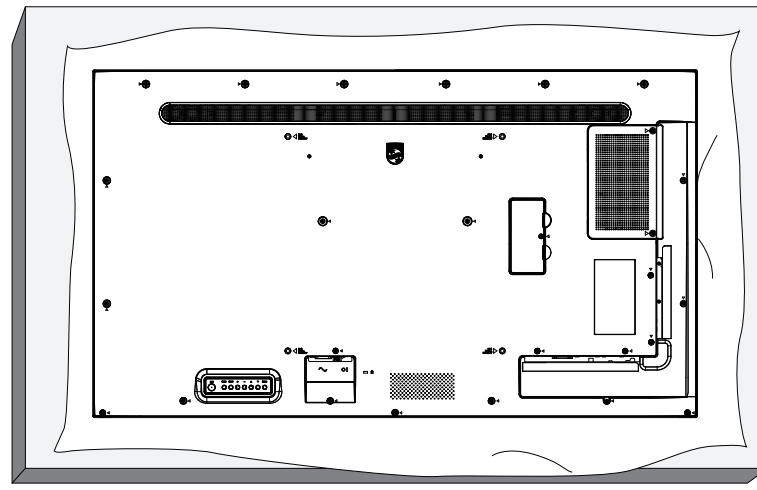
Contents



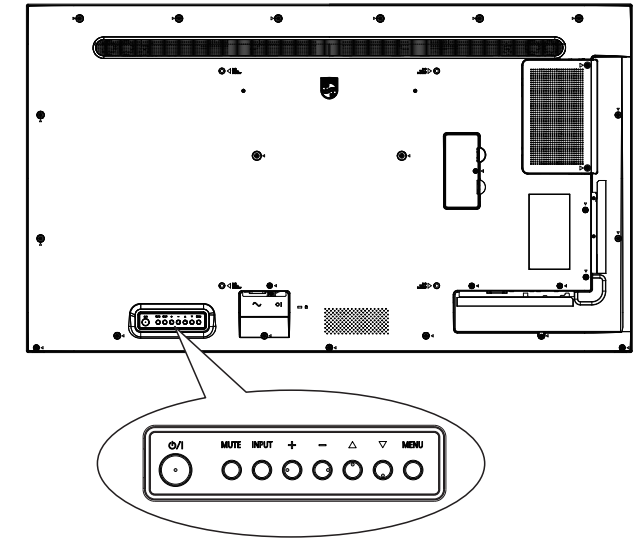
* Differences according to regions.
Display design and accessories may differ from those illustrated above.



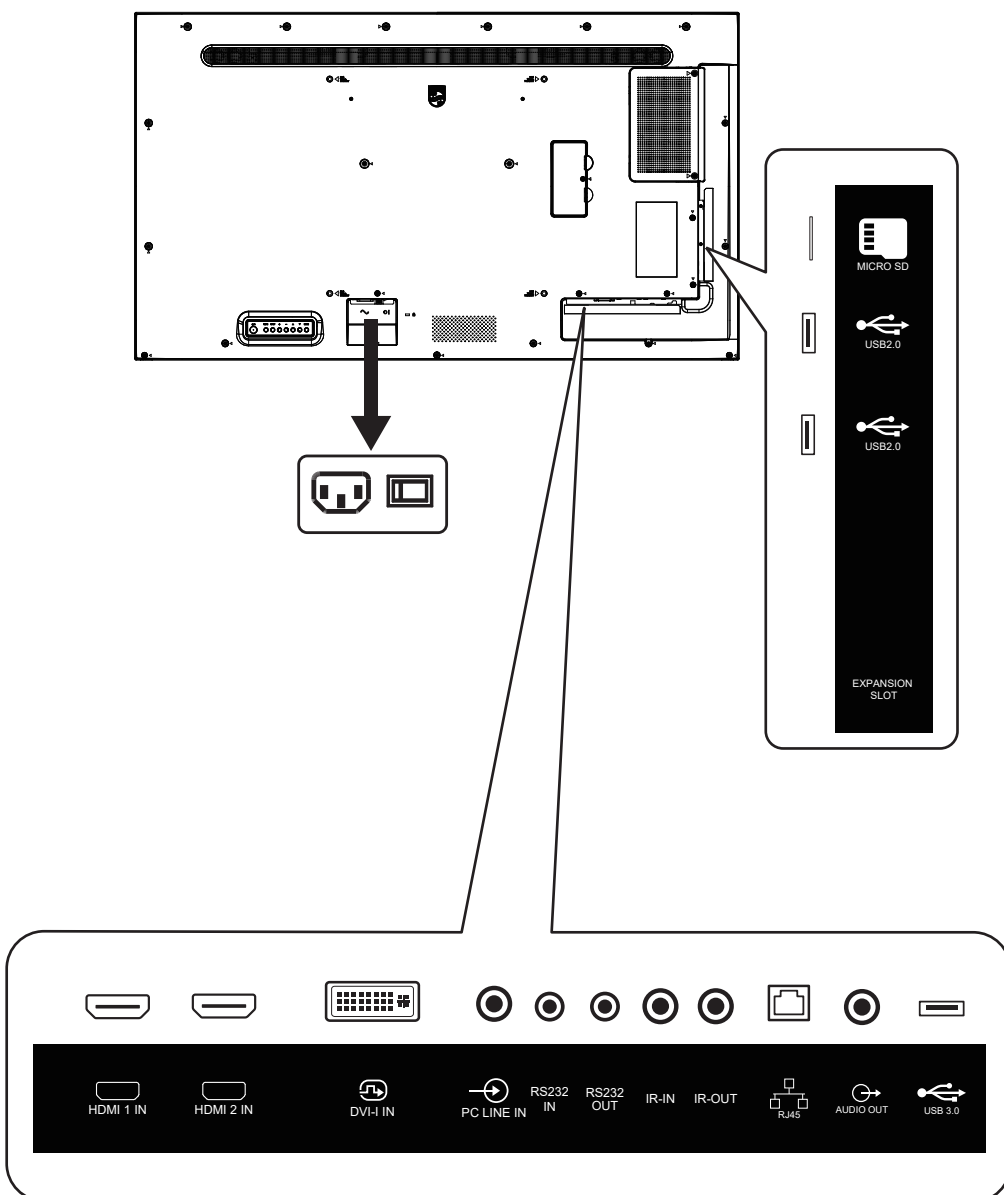
1 Unboxing



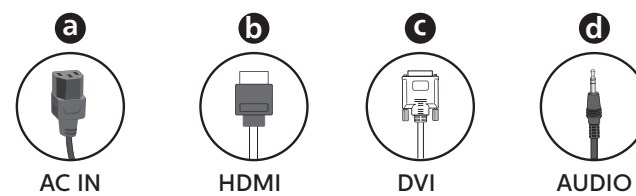
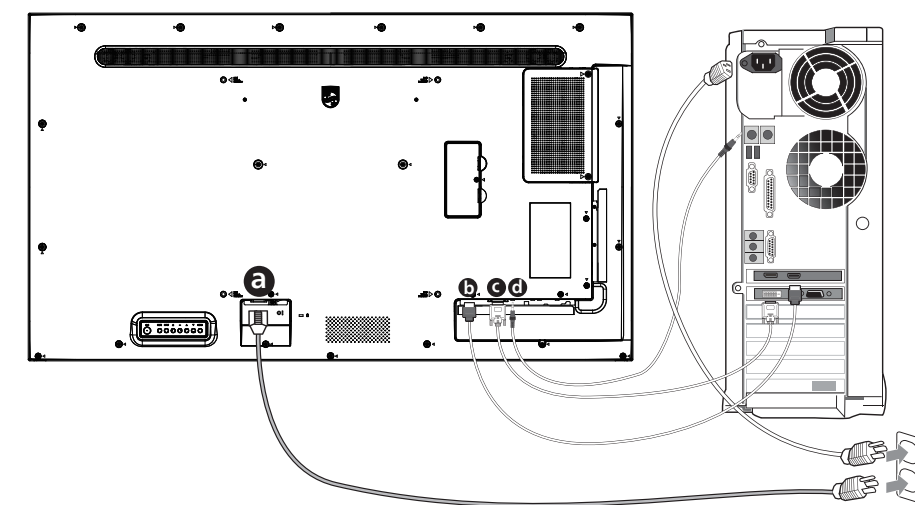
2 Control Panel



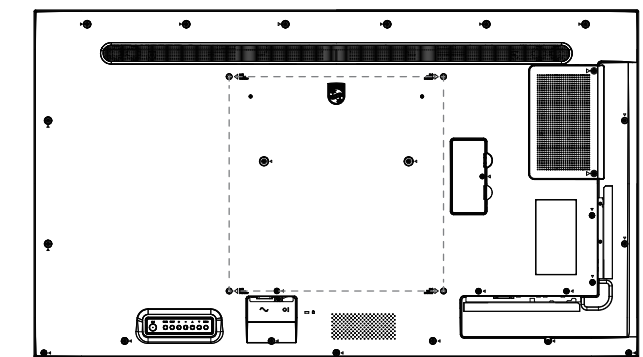
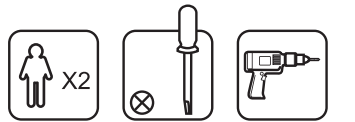
3 Input/Output Terminals



4 Connection



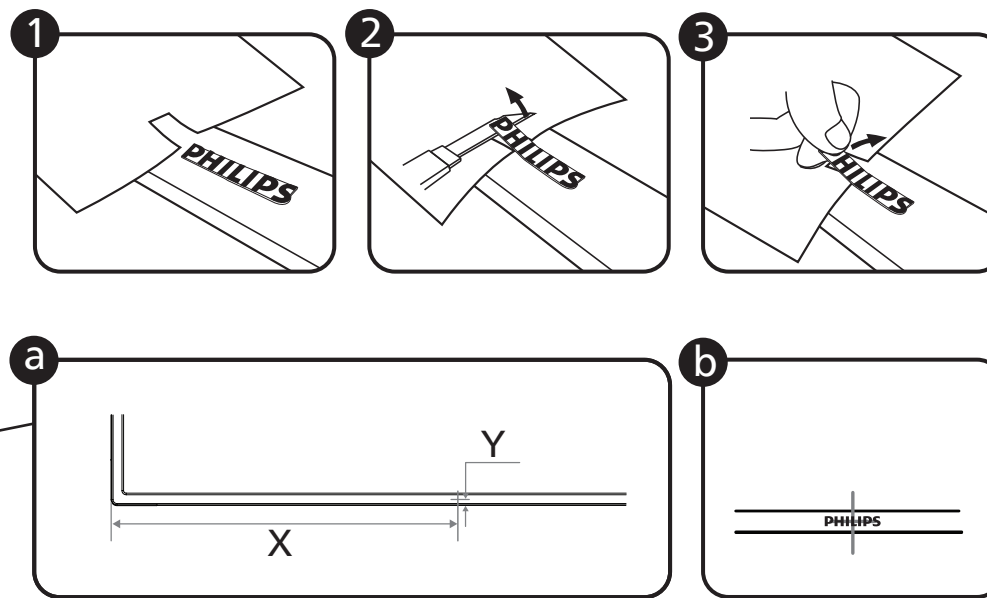
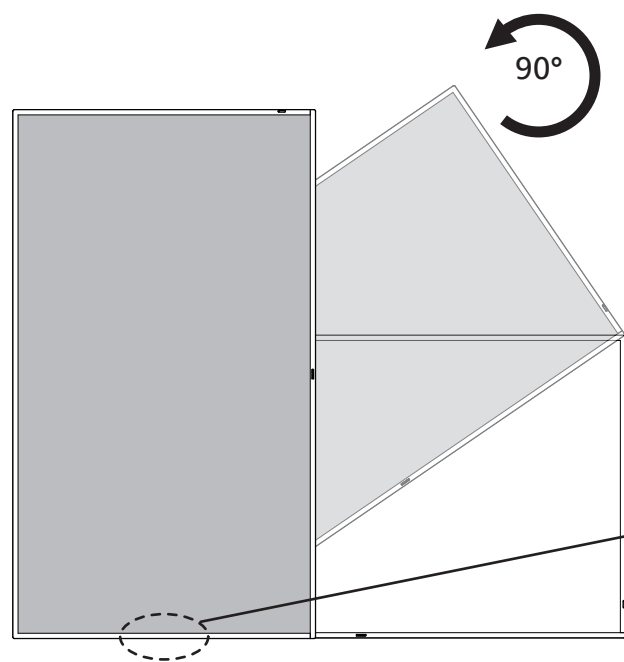
5 Installation



M6 * (10+X) mm
(X=Thickness of Wall mount BKT)

43BDL3650Q: 200mm x 200mm
50BDL3650Q: 400mm x 400mm
55BDL3650Q: 400mm x 400mm

6 Mounting in Portrait Orientation



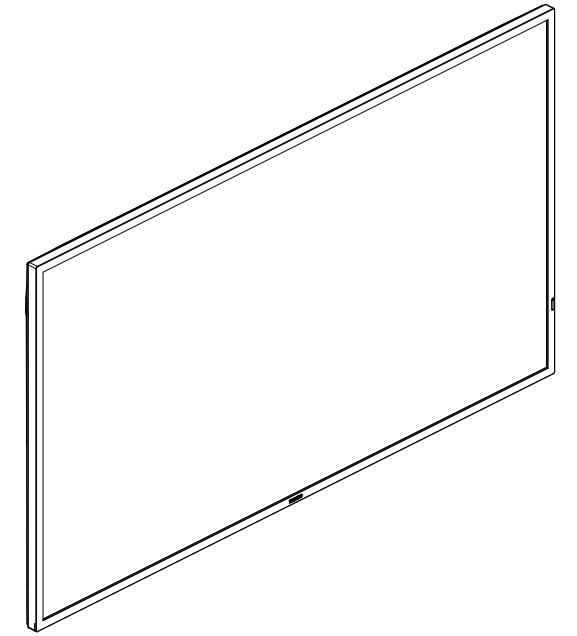
43BDL3650Q: X=280.6 mm Y=7.4 mm
50BDL3650Q: X=324.5 mm Y=7.9 mm
55BDL3650Q: X=356.3 mm Y=7.4 mm

PHILIPS

Professional
Display Solutions

Q Line

43BDL3650Q
50BDL3650Q
55BDL3650Q



Quick start



For more information, please visit:
<https://www.philips.com/ppds>



Version: V1.00 2023-01-06

TPV USA Corp
6525 Carnegie Blvd #200
Charlotte, NC 28211
USA

2023 © TOP Victory Investments Ltd. All rights reserved.

This product has been manufactured by and is sold under the responsibility of Top Victory Investments Ltd., and Top Victory Investments Ltd. is the warrantor in relation to this product. Philips and the Philips Shield Emblem are registered trademarks of Koninklijke Philips N.V. and are used under license.

Specifications are subject to change without notice.



Q41G50M181324A