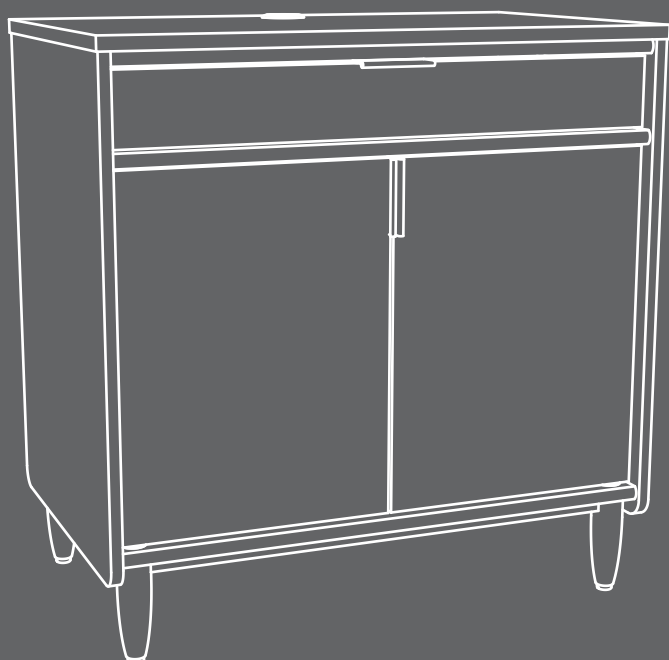


www.teknikoffice.co.uk

Teknik



The **stories** of your life.

Storage Sideboard

Clifton Place Collection | **Model 5421115**

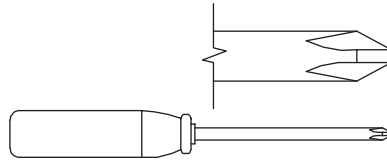
NOTE: THIS INSTRUCTION BOOKLET CONTAINS **IMPORTANT** SAFETY INFORMATION.

PLEASE READ AND KEEP FOR FUTURE REFERENCE.

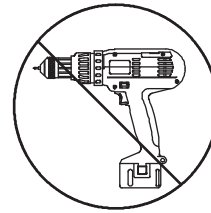
Table of Contents

Assembly Tools Required

| | |
|-------------------------|-------|
| Part Identification | 3 |
| Hardware Identification | 4 |
| Assembly Steps | 5-21 |
| Français | 22-25 |
| Español | 26-28 |
| Safety | 29-30 |
| Warranty | 31 |



No. 2 Phillips Screwdriver
Tip Shown Actual Size



Skip the power trip.
This time.

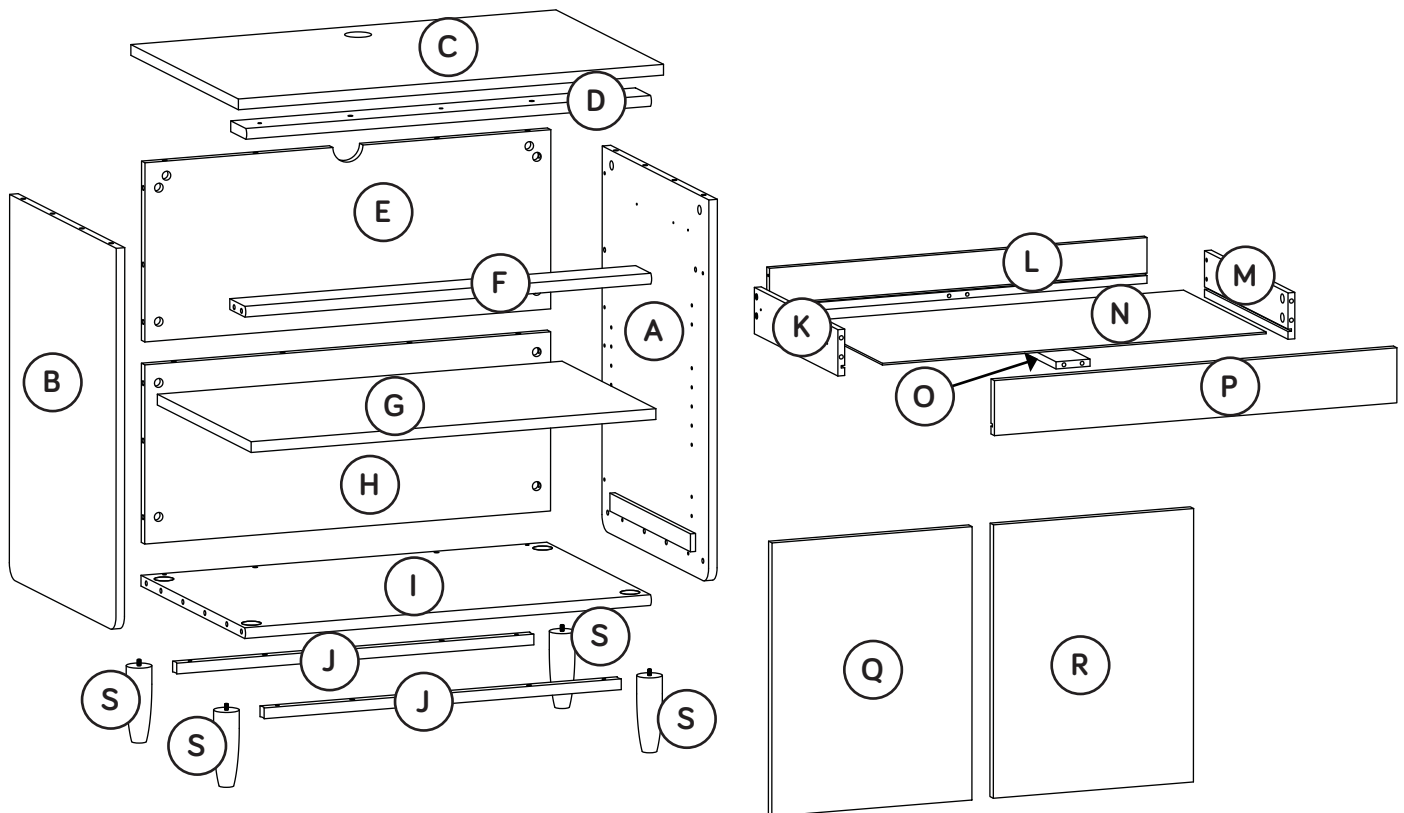
Part Identification

Now you know
our ABCs.



⚠ While not all parts are labeled, some of the parts will have a label or an inked letter on the edge to help distinguish similar parts from each other. Use this part identification to help identify similar parts.

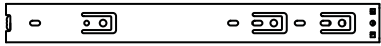
| | | | | | |
|---|----------------------|---|-----------------------|---|------------------|
| A | RIGHT END (1) | H | LOWER BACK (1) | O | DRAWER BRACE (1) |
| B | LEFT END (1) | I | BOTTOM (1) | P | DRAWER FRONT (1) |
| C | TOP (1) | J | BOTTOM MOLDING (2) | Q | LEFT DOOR (1) |
| D | TOP MOLDING (1) | K | LEFT DRAWER SIDE (1) | R | RIGHT DOOR (1) |
| E | UPPER BACK (1) | L | DRAWER BACK (1) | S | FOOT (4) |
| F | BRACE (1) | M | RIGHT DRAWER SIDE (1) | | |
| G | ADJUSTABLE SHELF (1) | N | DRAWER BOTTOM (1) | | |



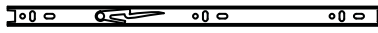
Hardware Identification

↑ Screws are shown actual size. You may receive extra hardware with your unit.

T EXTENSION RAIL - 2



U EXTENSION SLIDE - 2

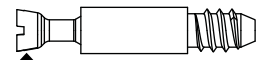


(EXTENSION SET SHOWN SEPARATED)

1 LARGE HIDDEN CAM - 20

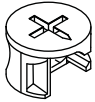


2 ANGLED HEAD CAM SCREW - 20

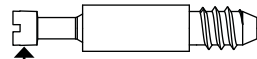


Angled head

3 SMALL HIDDEN CAM - 6

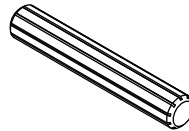


4 STRAIGHT HEAD CAM SCREW - 6

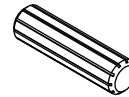


Straight head

5 LONG WOOD DOWEL - 4



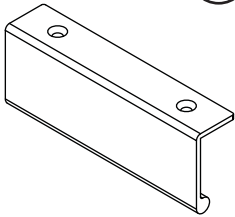
6 WOOD DOWEL - 22



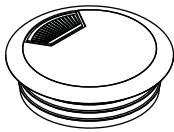
7 SHORT WOOD DOWEL - 6



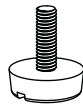
8 PULL - 3



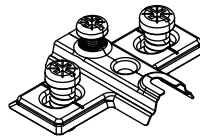
9 GROMMET WITH CAP - 1



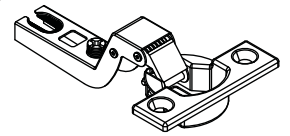
10 ADJUSTABLE GLIDE - 4



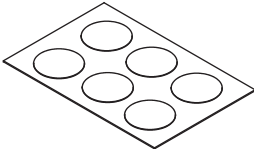
11 HINGE BRACKET - 4



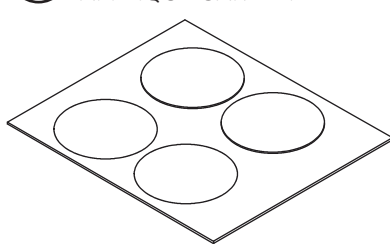
12 HINGE - 4



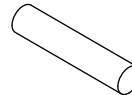
13 APPLIQUE CARD - 1



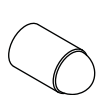
14 LARGE APPLIQUE CARD - 1



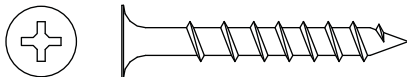
15 METAL PIN - 4



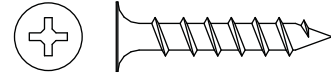
16 RUBBER SLEEVE - 4



17 BLACK 1-1/2" FLAT HEAD SCREW - 8



18 BLACK 1-1/8" FLAT HEAD SCREW - 9



19 SILVER 1/2" FLAT HEAD SCREW - 14

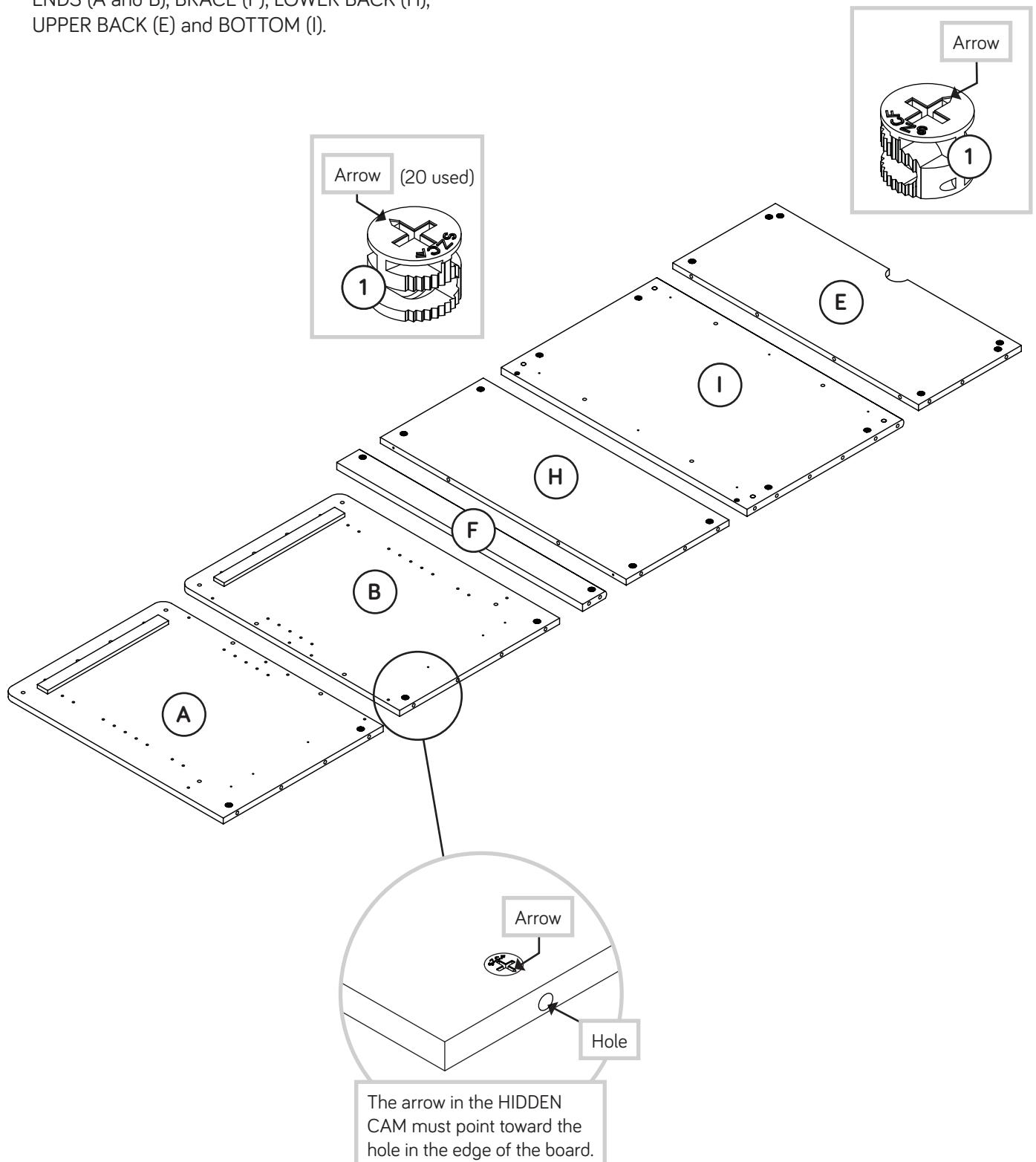


20 BLACK 1/2" PAN HEAD SCREW - 12



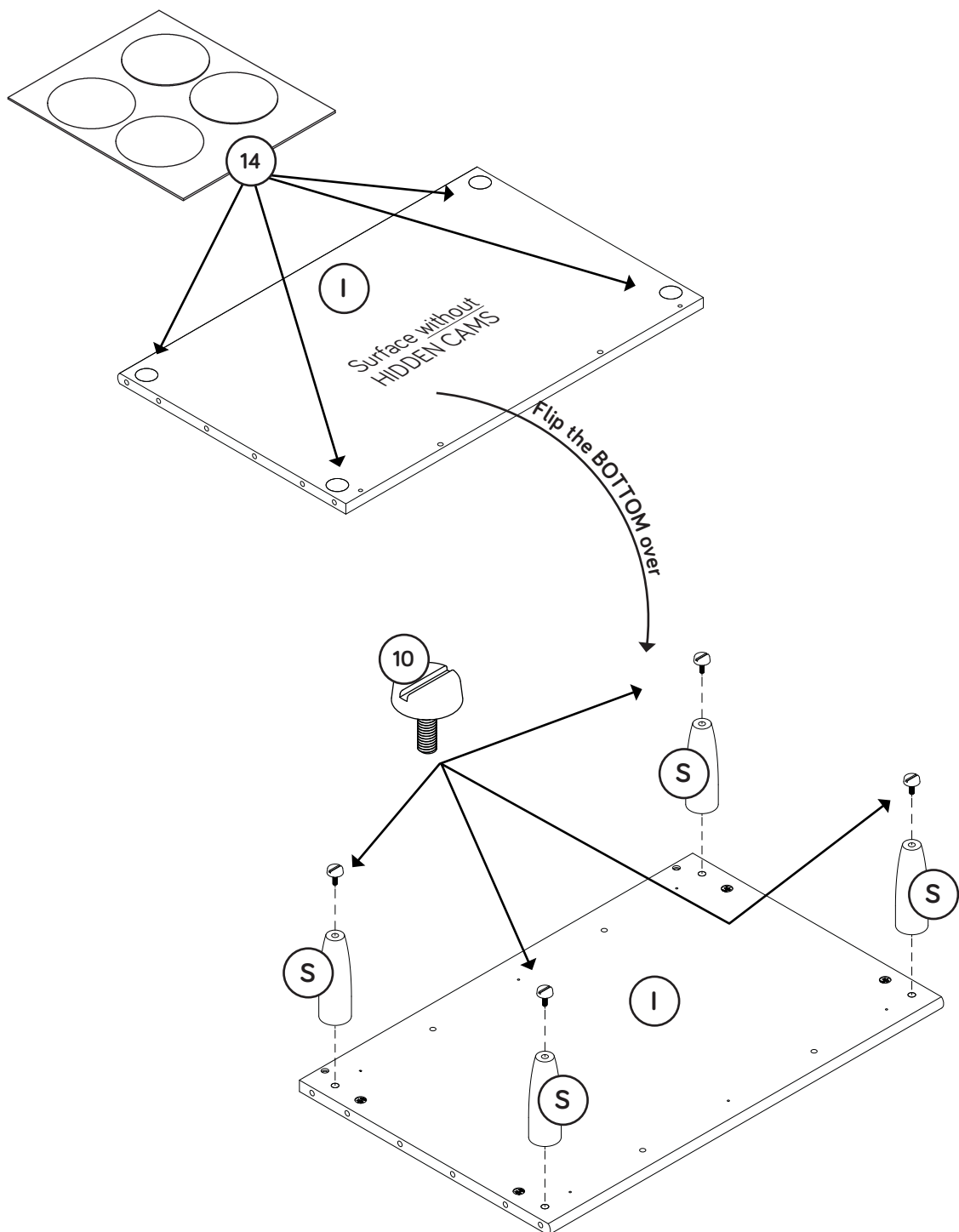
Step 1

- ✚ Assemble your unit on a carpeted floor or on the empty carton to avoid scratching your unit or the floor.
- ✚ **NOTE:** If you are attaching the 421116 Hutch to your unit, build the Hutch first.
- ✚ Push twenty LARGE HIDDEN CAMS (1) into the ENDS (A and B), BRACE (F), LOWER BACK (H), UPPER BACK (E) and BOTTOM (I).



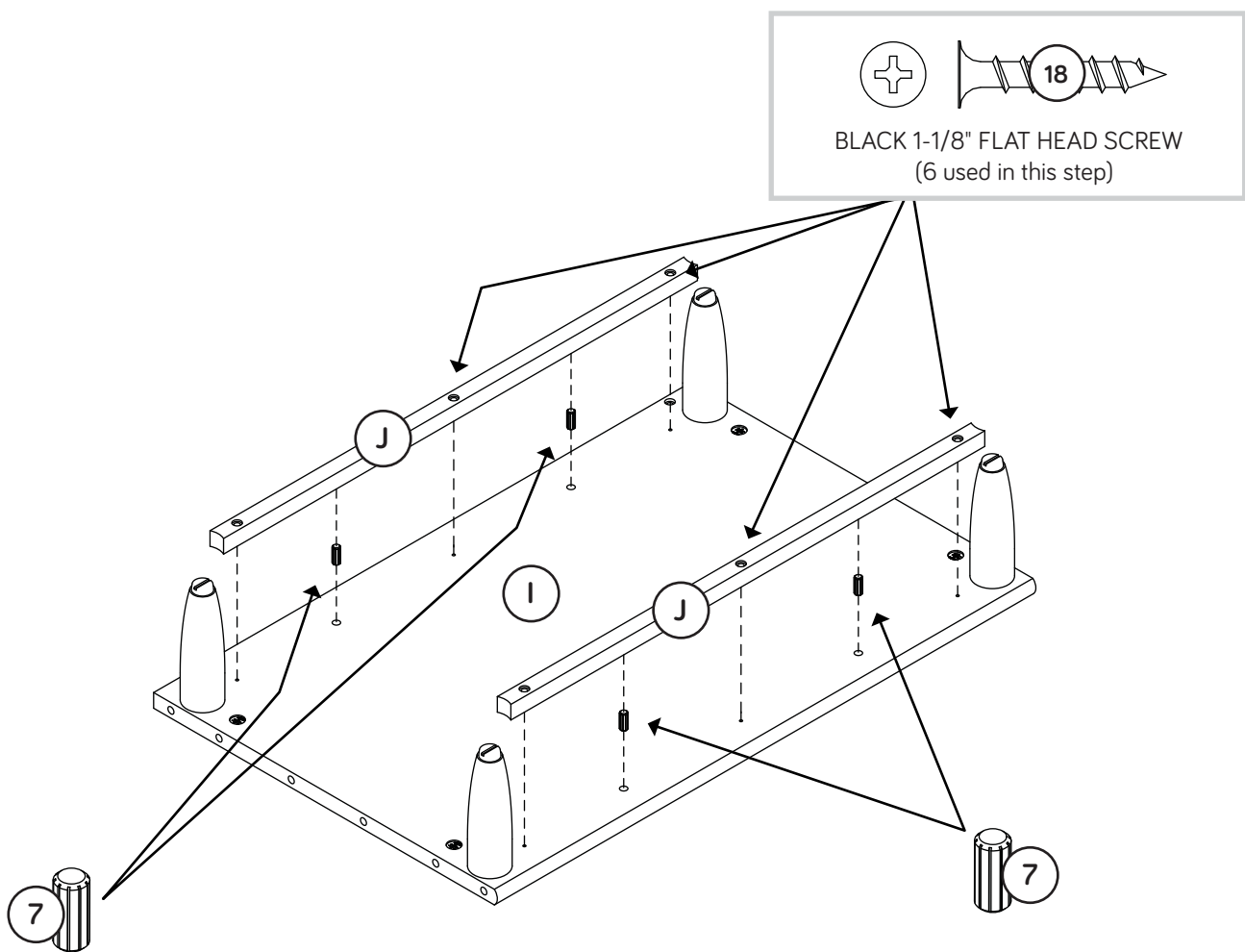
Step 2

- ✂ Peel an applique from the LARGE APPLIQUE CARD (14) and stick one on each large hole in the BOTTOM (I).
- ✂ Flip the BOTTOM (I) over.
- ✂ Turn and tighten four FEET (S) into the threaded holes in the BOTTOM (I).
- ✂ Turn four ADJUSTABLE GLIDES (10) into the threaded holes in the FEET (S).



Step 3

- ✚ Insert four SHORT WOODEN DOWELS (7) into the BOTTOM (I).
- ✚ Fasten the BOTTOM MOLDINGS (J) to the BOTTOM (I). Use six BLACK 1-1/8" FLAT HEAD SCREWS (18).
- ✚ NOTE: Be sure the SHORT WOODEN DOWELS insert into the holes in the BOTTOM MOLDINGS.



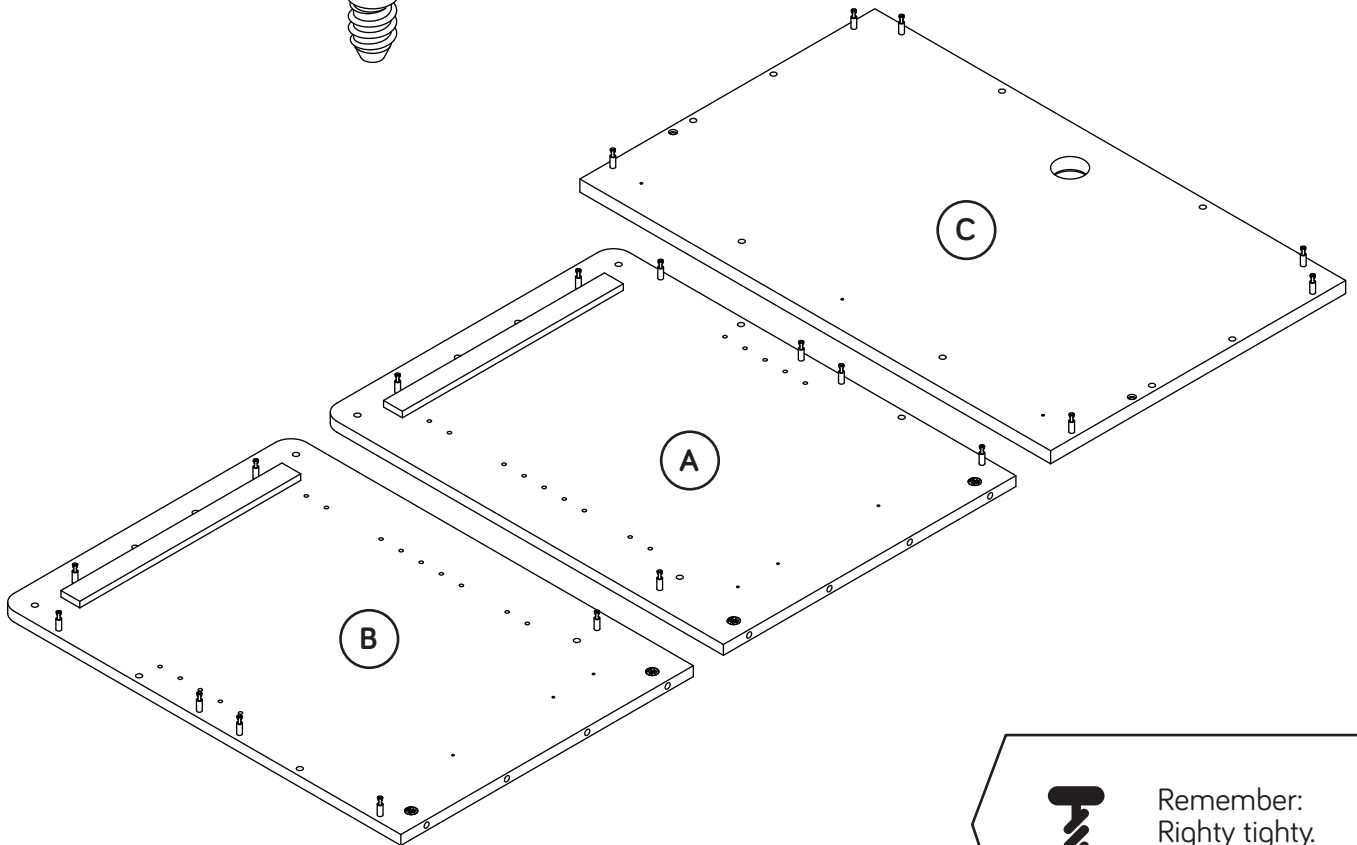
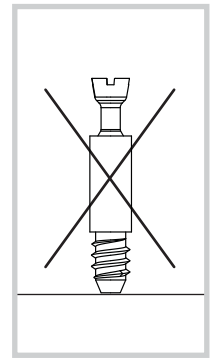
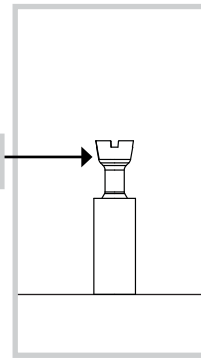
Step 4

Turn twenty ANGLED HEAD CAM SCREWS (2) into the ENDS (A and B) and TOP (C).



(20 used)

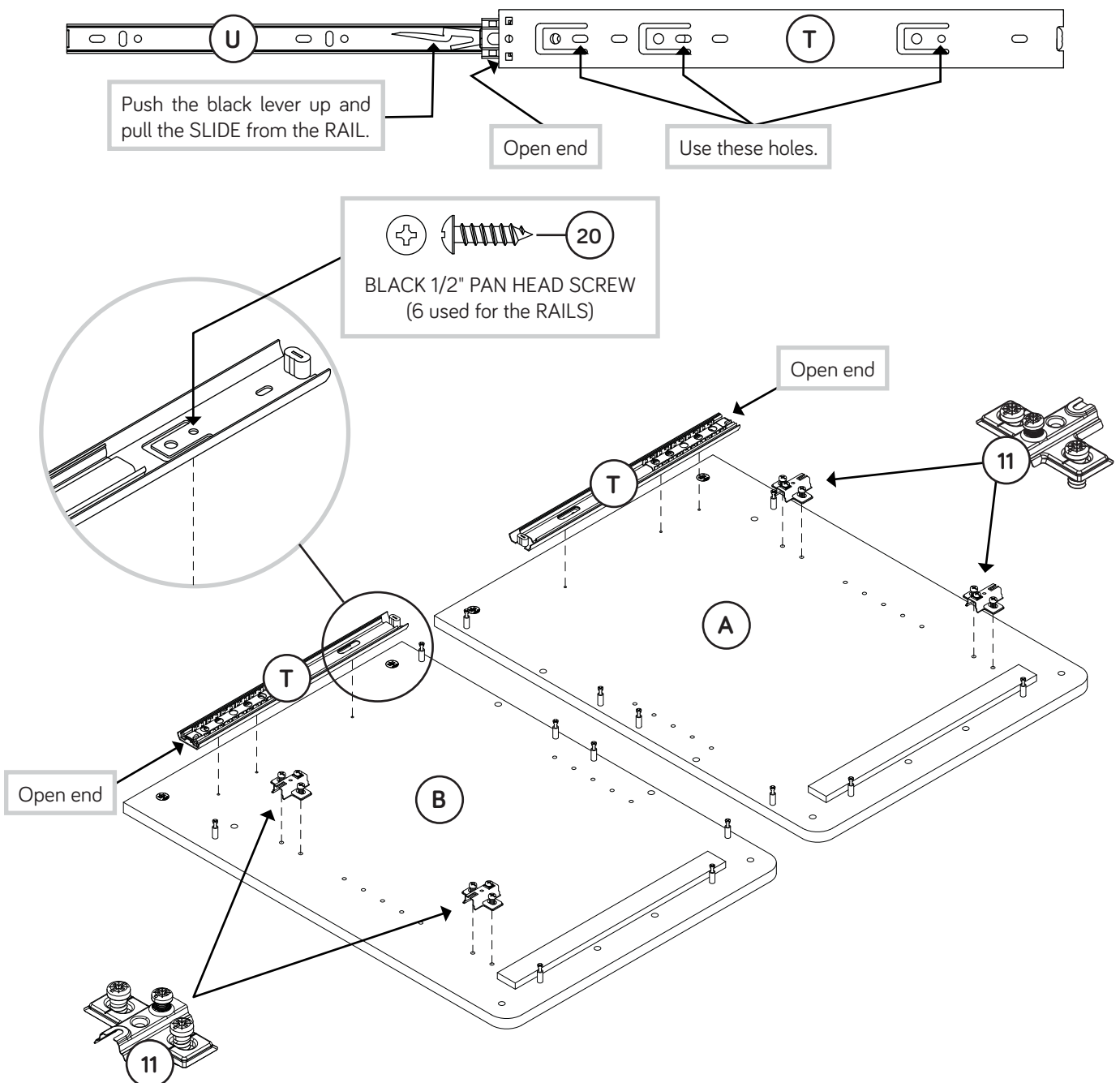
Angled head



Remember:
Righty tighty.
Lefty loosey.

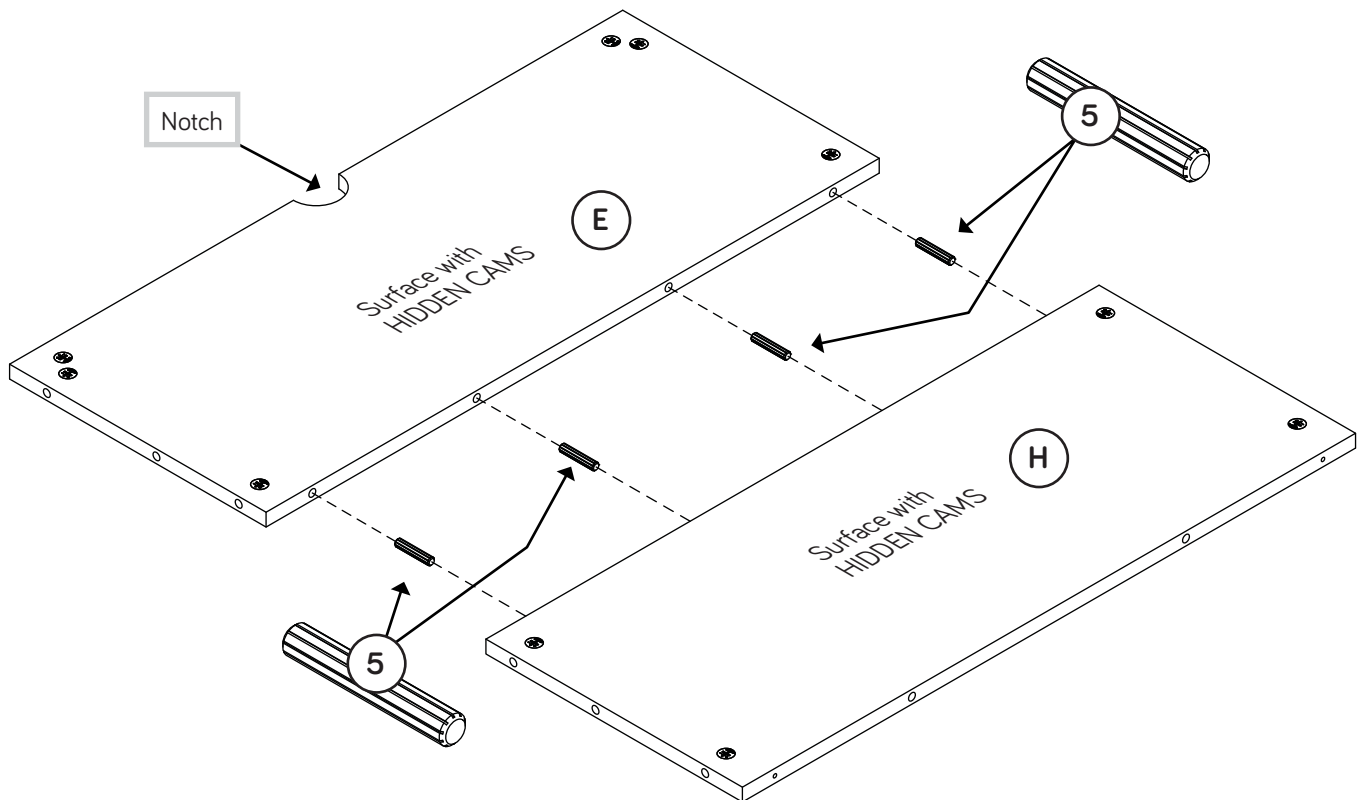
Step 5

- ✚ Separate the EXTENSION SLIDES (U) from the EXTENSION RAILS (T) as shown in the enlarged diagram below. Be prepared, the parts are greasy.
- ✚ Fasten two EXTENSION RAILS (T) to the ENDS (A and B). Use six BLACK 1/2" PAN HEAD SCREWS (20).
- ✚ **NOTE:** For each EXTENSION RAIL, turn a SCREW into the hole shown in the enlarged diagram. Then, slide the inner cartridge of the EXTENSION RAIL in to find the other holes that line up with the holes in the ENDS. Turn a SCREW into those holes.
- ✚ **NOTE:** The EXTENSION SLIDES will be used later for the DRAWERS.
- ✚ Fasten the HINGE BRACKETS (11) to the ENDS (A and B) exactly as shown. Use the SCREWS in the brackets.



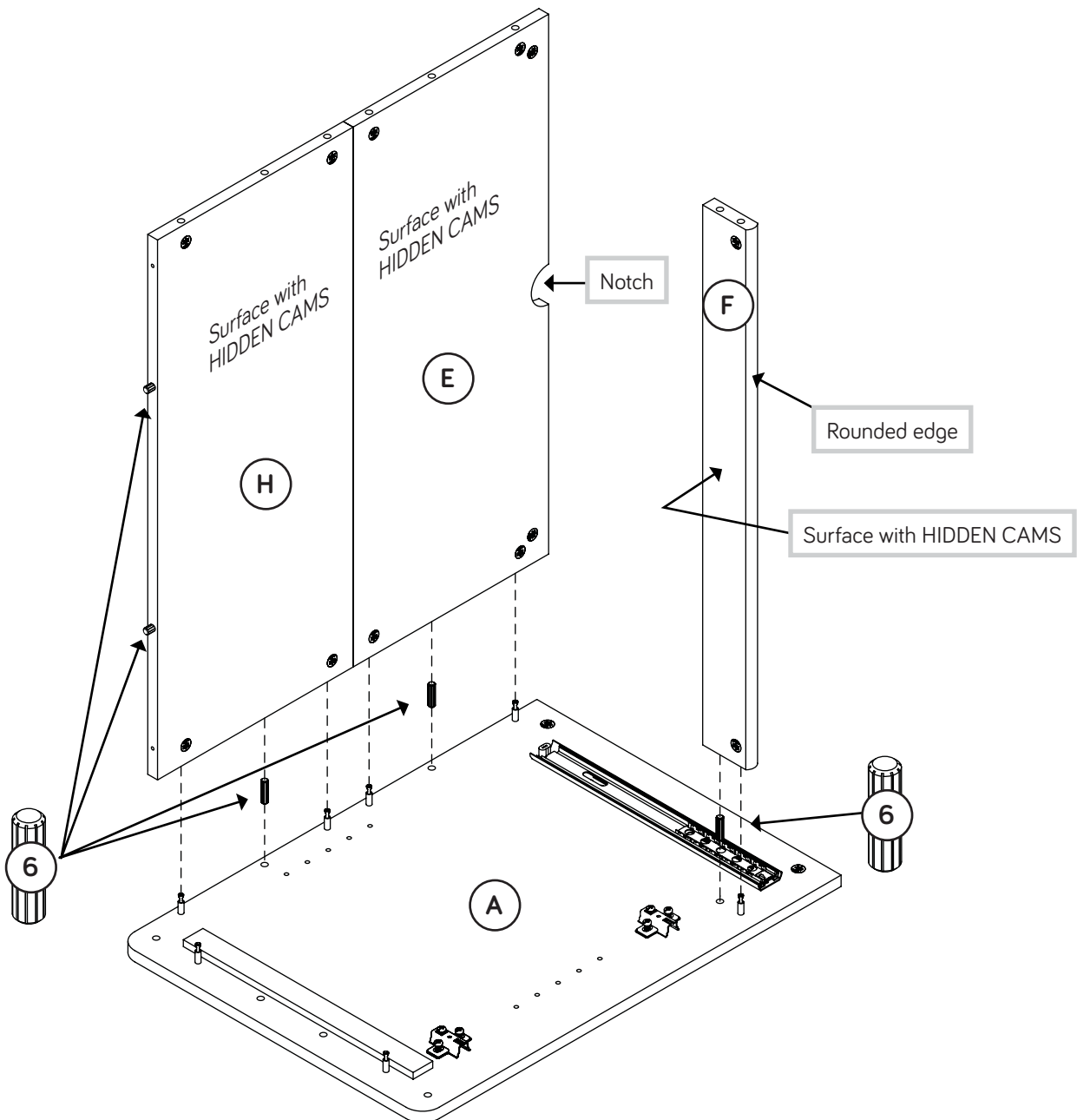
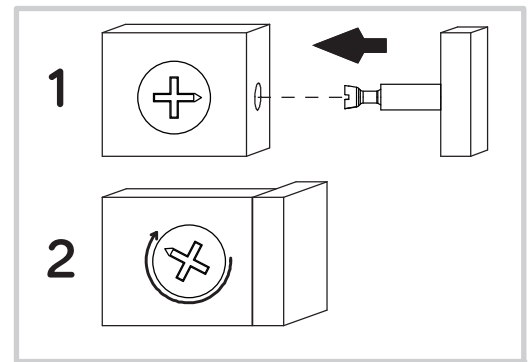
Step 6

- ✚ Insert four LONG WOOD DOWELS (5) into the LOWER BACK (H).
- ✚ Fasten the UPPER BACK (E) to the LOWER BACK (H) by pushing it onto the WOOD DOWELS in the LOWER BACK.



Step 7

- ✚ Insert three WOOD DOWELS (6) into the RIGHT END (A).
- ✚ Fasten the BACKS (E and H) to the RIGHT END (A). Tighten four HIDDEN CAMS.
- ✚ **NOTE:** Be sure the WOOD DOWELS in the RIGHT END insert into the holes in the BACKS.
- ✚ Fasten the BRACE (F) to the RIGHT END (A). Tighten the HIDDEN CAM.
- ✚ **NOTE:** Be sure the WOOD DOWEL in the RIGHT END inserts into the hole in the BRACE.
- ✚ Insert two WOOD DOWELS (6) into the long edge of the LOWER BACK (H).



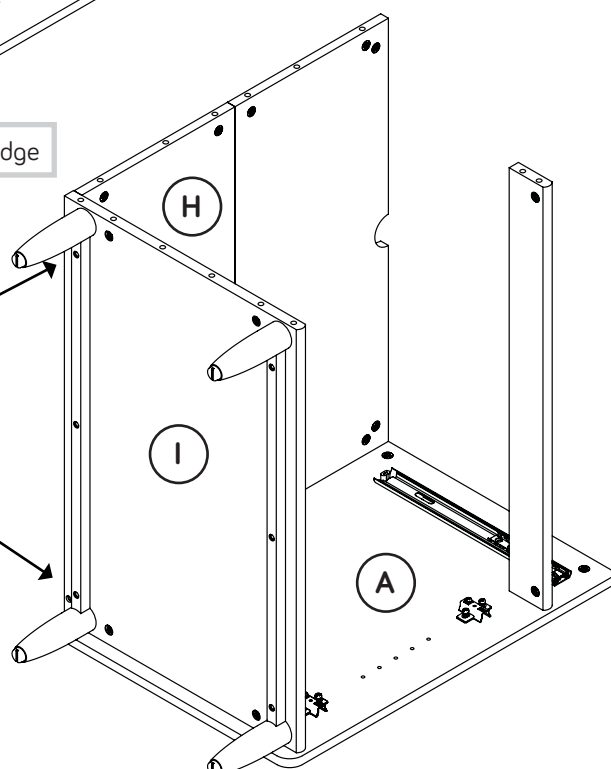
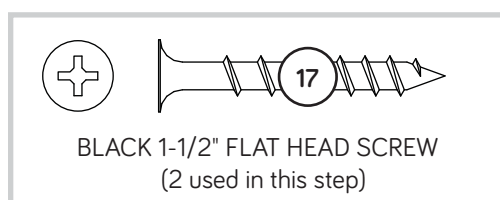
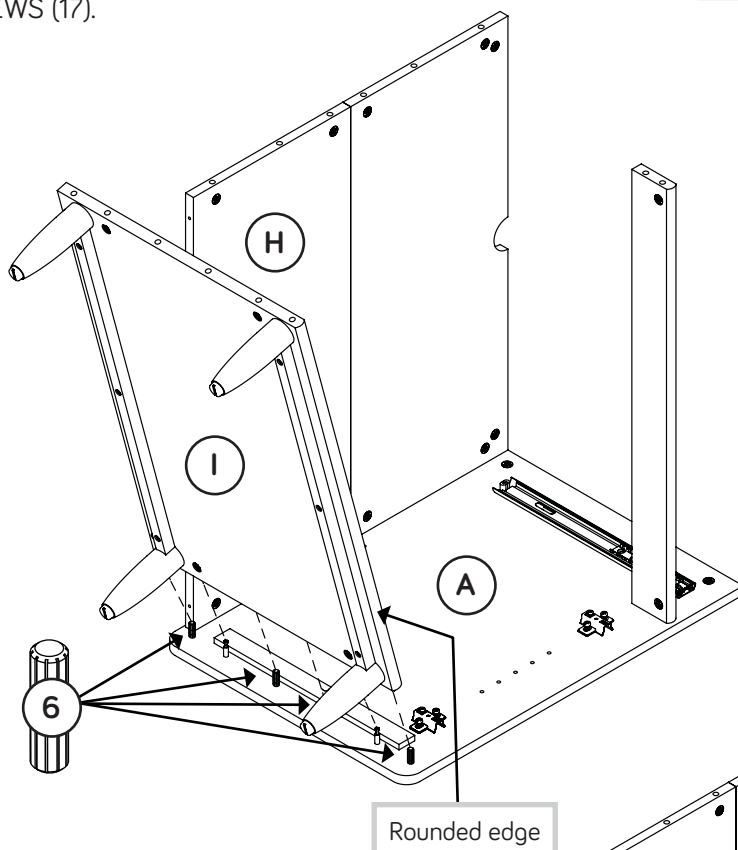
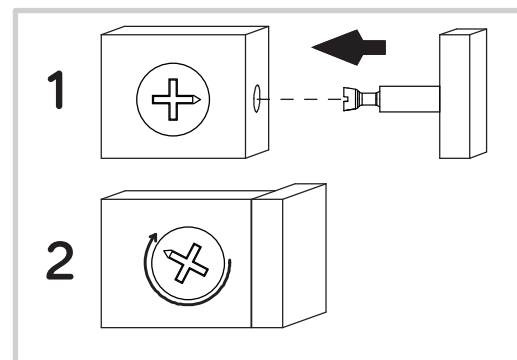
Step 8

✚ Insert four WOOD DOWELS (6) into the RIGHT END (A) as shown in the upper diagram.

✚ Fasten the BOTTOM (I) to the RIGHT END (A). Tighten two HIDDEN CAMS.

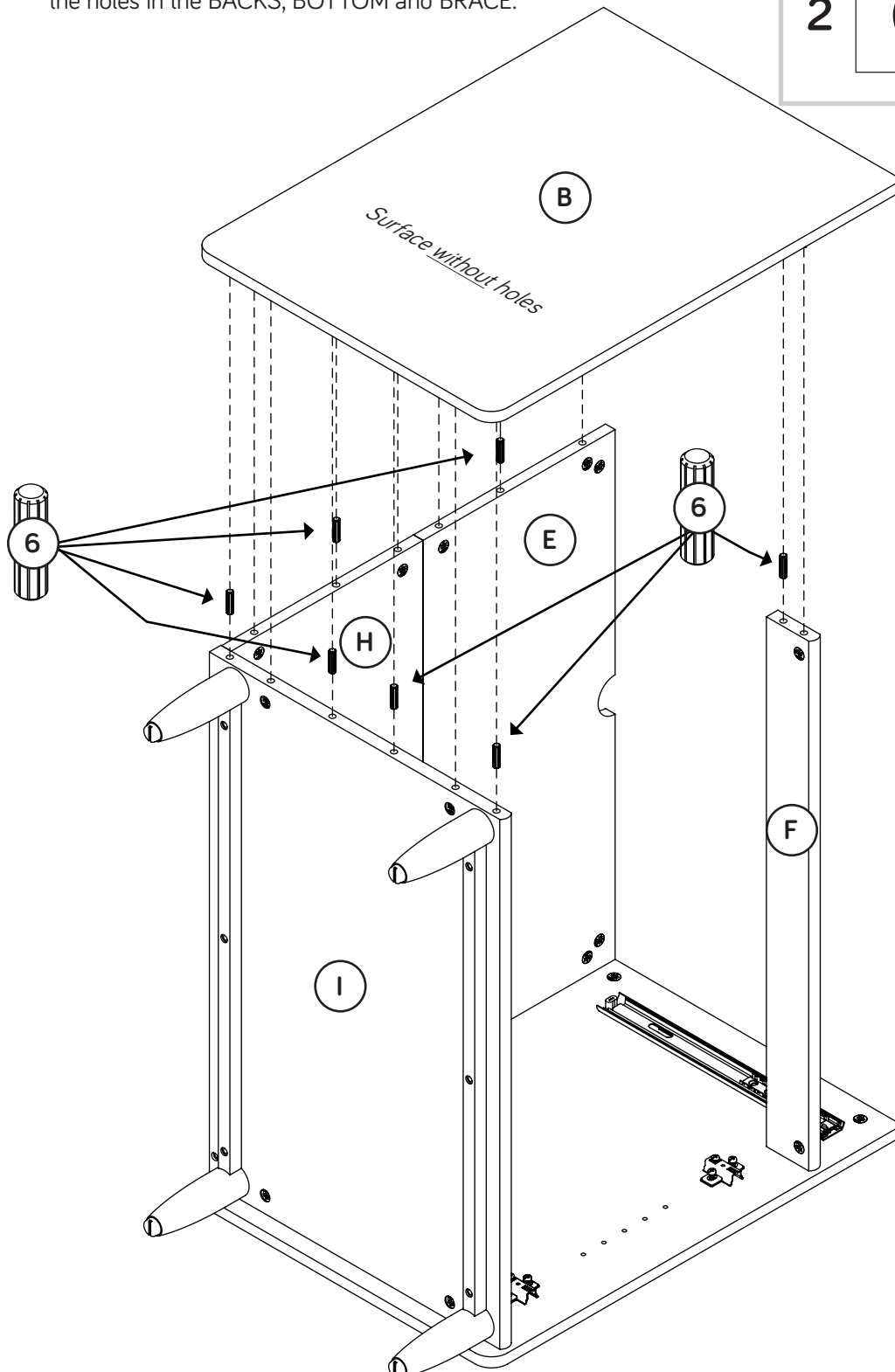
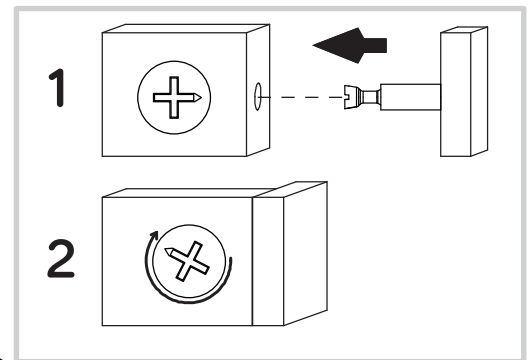
✚ **NOTE:** Be sure the WOOD DOWELS in the RIGHT END (A) and LOWER BACK insert into the holes in the BOTTOM.

✚ Fasten the BOTTOM (I) to the LOWER BACK (H) as shown in the lower diagram. Use two BLACK 1-1/2" FLAT HEAD SCREWS (17).



Step 9

- ✚ Insert seven WOOD DOWELS (6) into the LEFT END (B).
- ✚ Fasten the LEFT END (B) to the UPPER BACK (E), BRACE (F), LOWER BACK (H) and BOTTOM (I). Tighten seven HIDDEN CAMS.
- ✚ **NOTE:** Be sure the WOOD DOWELS in the LEFT END insert into the holes in the BACKS, BOTTOM and BRACE.

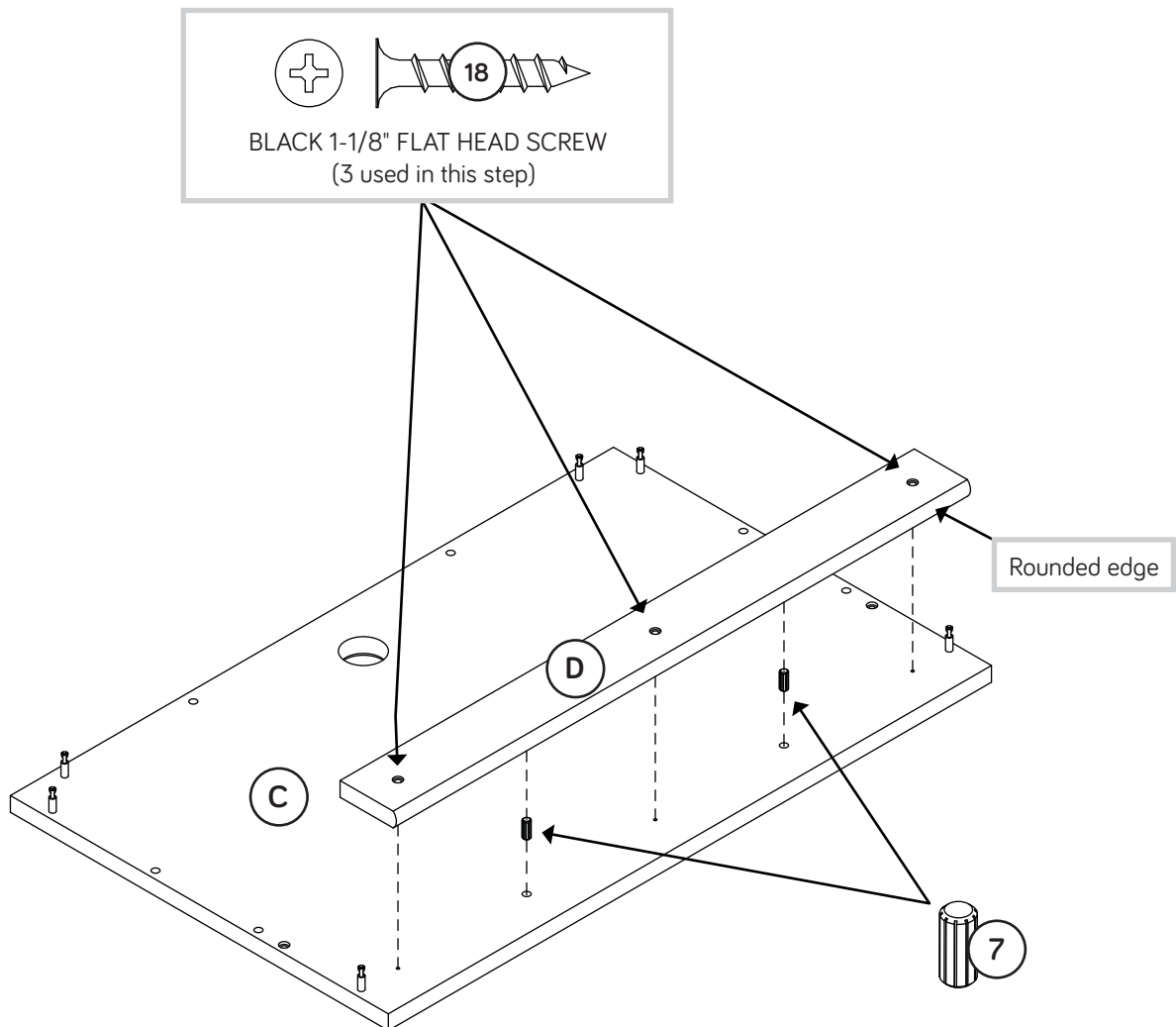


Step 10

- ✚ Insert two SHORT WOODEN DOWELS (7) into the TOP (C).
- ✚ Fasten the TOP MOLDING (D) to the TOP (C). Use three BLACK 1-1/8" FLAT HEAD SCREWS (18).
- ✚ **NOTE:** Be sure the SHORT WOOD DOWELS in the TOP insert into the holes in the TOP MOLDING



Remember:
Righty tighty.
Lefty loosey.

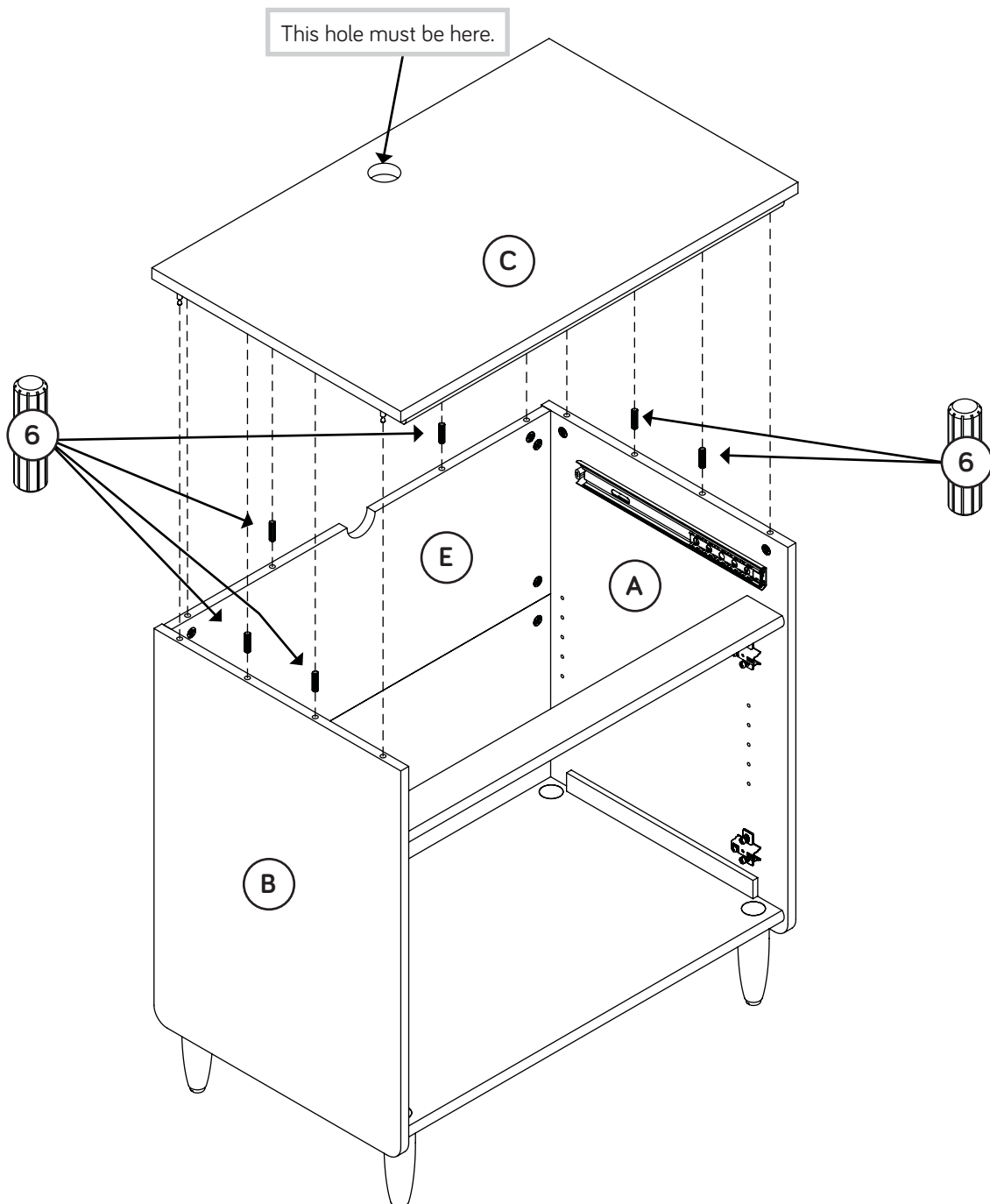
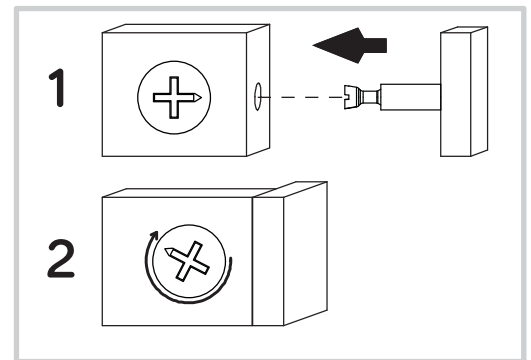


STOP

Before you proceed
to the next step
If you are attaching the
5421116 Hutch to your
unit, build the Hutch
now.

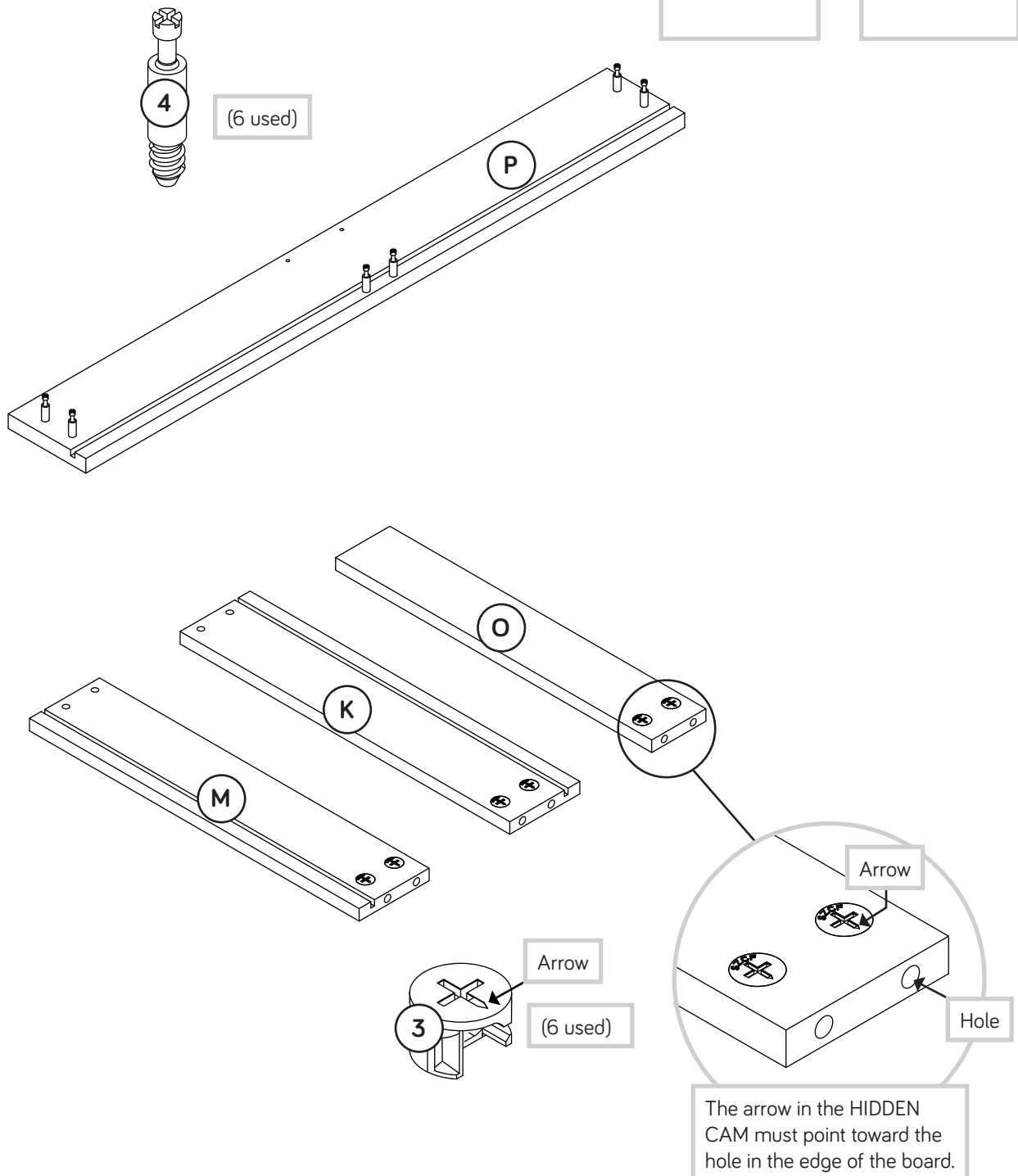
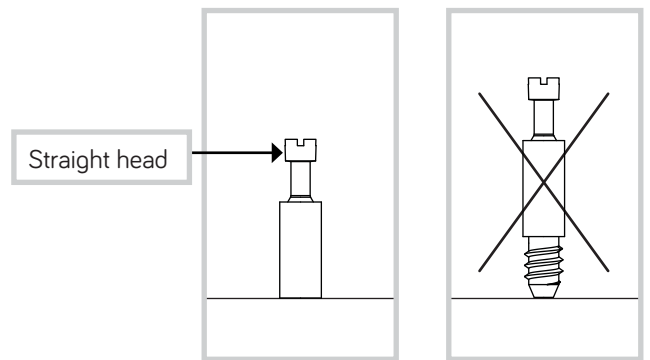
Step 11

- ⚡ Carefully stand your unit upright.
- ⚡ Insert six WOOD DOWELS (6) into the ENDS (A and B) and UPPER BACK (E).
- ⚡ Fasten the TOP (C) to the ENDS (A and B) and UPPER BACK (E). Tighten six HIDDEN CAMS.
- ⚡ **NOTE:** Be sure the WOOD DOWELS in the ENDS and UPPER BACK insert into the holes in the TOP.

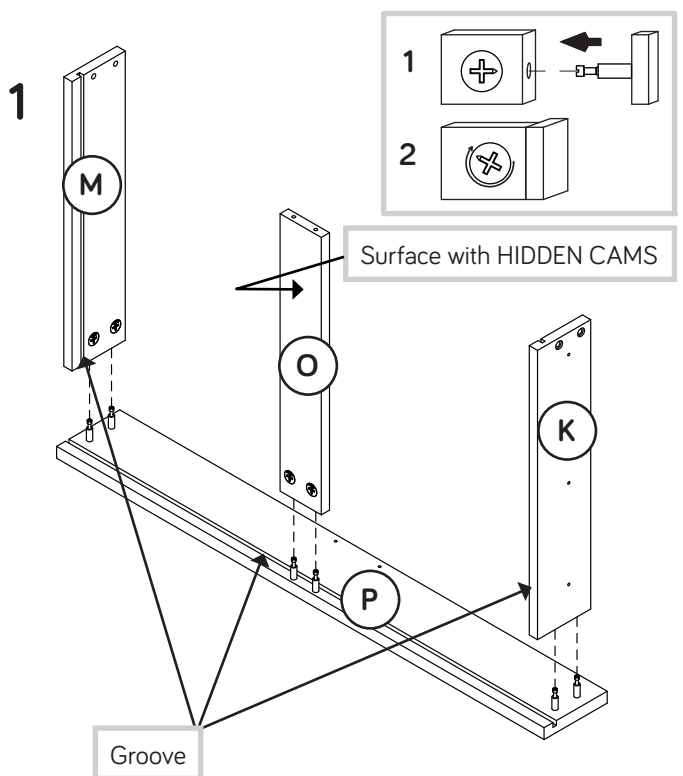


Step 12

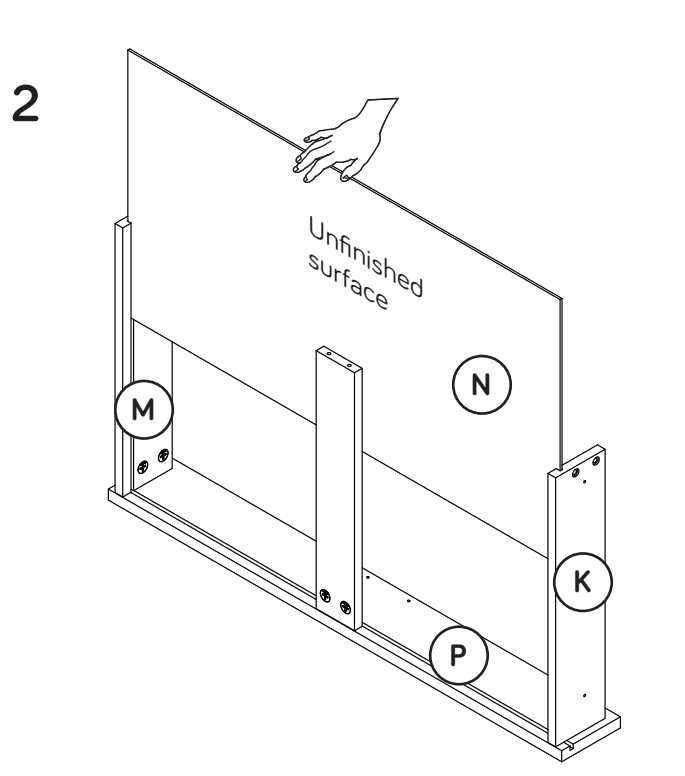
- Turn six STRAIGHT HEAD CAM SCREWS (4) into the DRAWER FRONT (P).
- Push six SMALL HIDDEN CAMS (3) into the large holes in the DRAWER SIDES (K and M) and DRAWER BRACE (O).



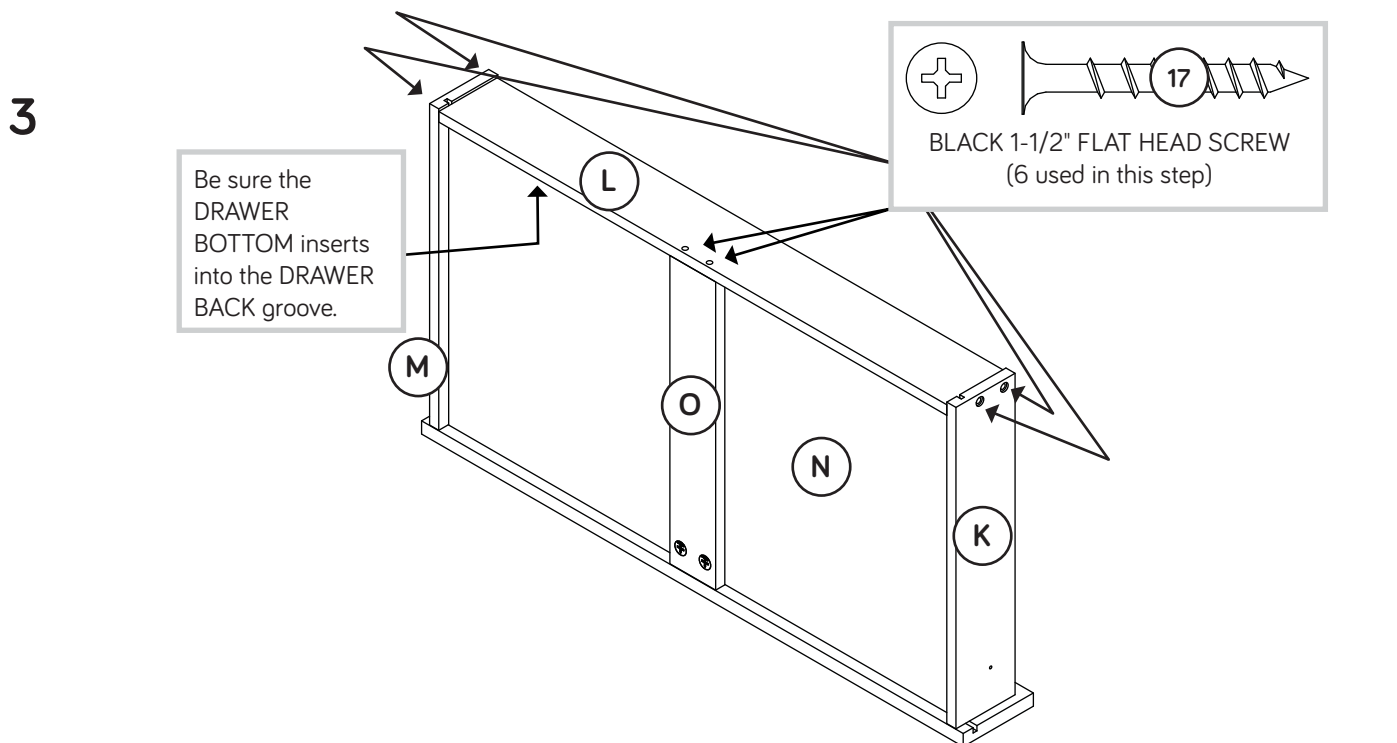
Step 13



1 Fasten the DRAWER SIDES (K and M) and DRAWER BRACE (O) to the DRAWER FRONT (P). Tighten six HIDDEN CAMS



2 Slide the DRAWER BOTTOM (N) into the grooves in the DRAWER SIDES (K and M) and DRAWER FRONT (P).

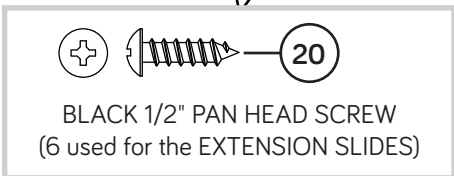
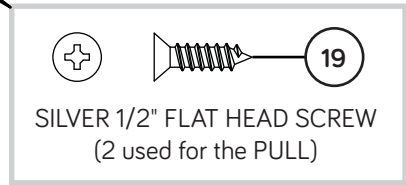
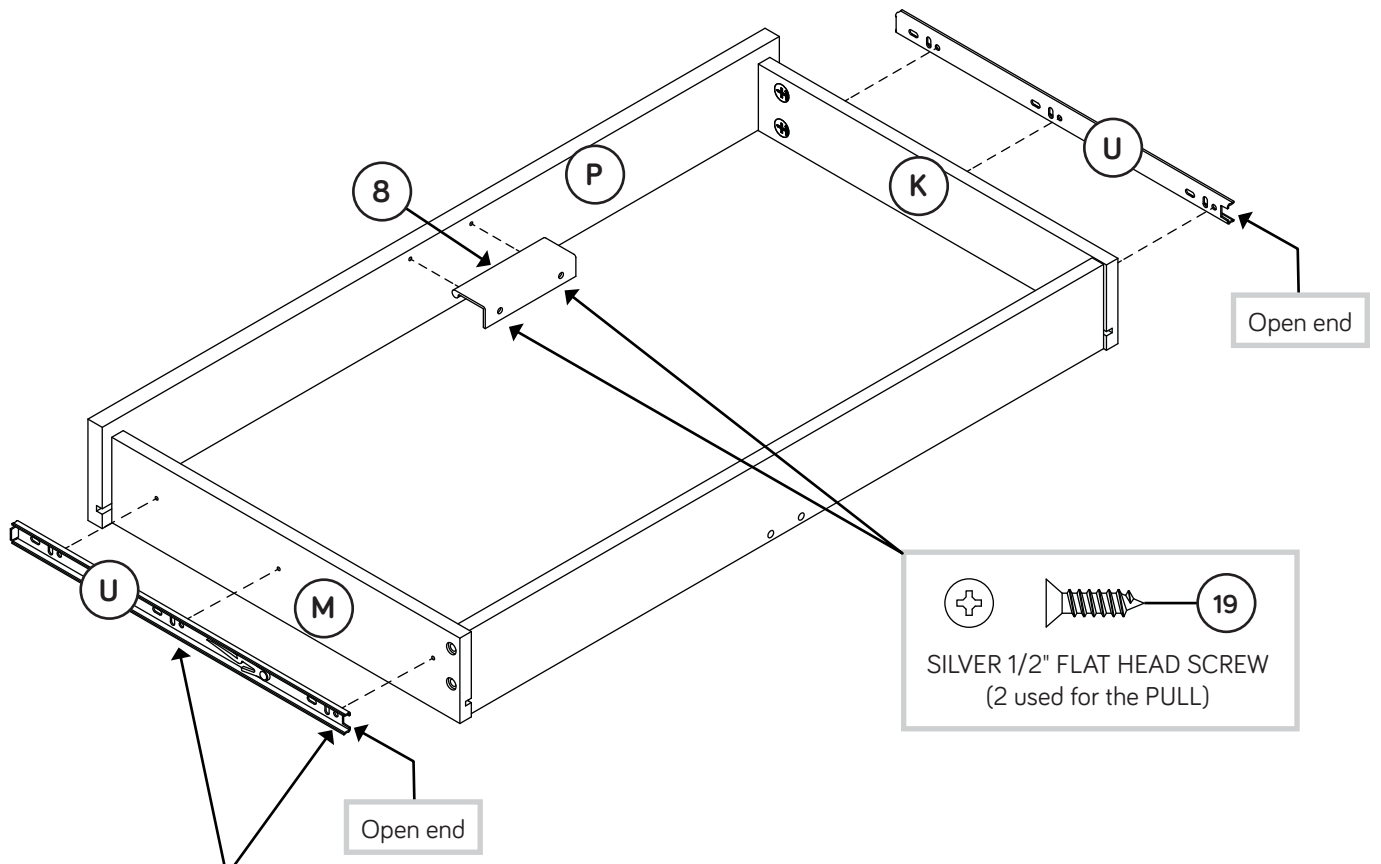
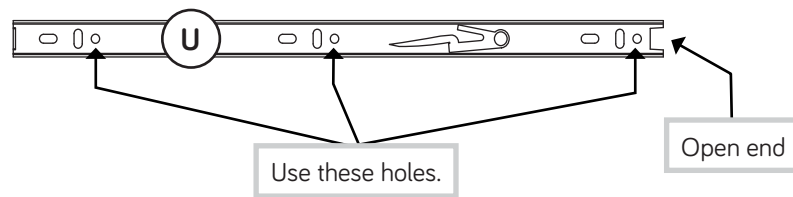


3 Fasten the DRAWER BACK (L) to the DRAWER SIDES (K and M) and DRAWER BRACE (O). Use six BLACK 1-1/2" FLAT HEAD SCREWS (17).

NOTE: Be sure the DRAWER BOTTOM (N) inserts into the groove of the DRAWER BACK (L).

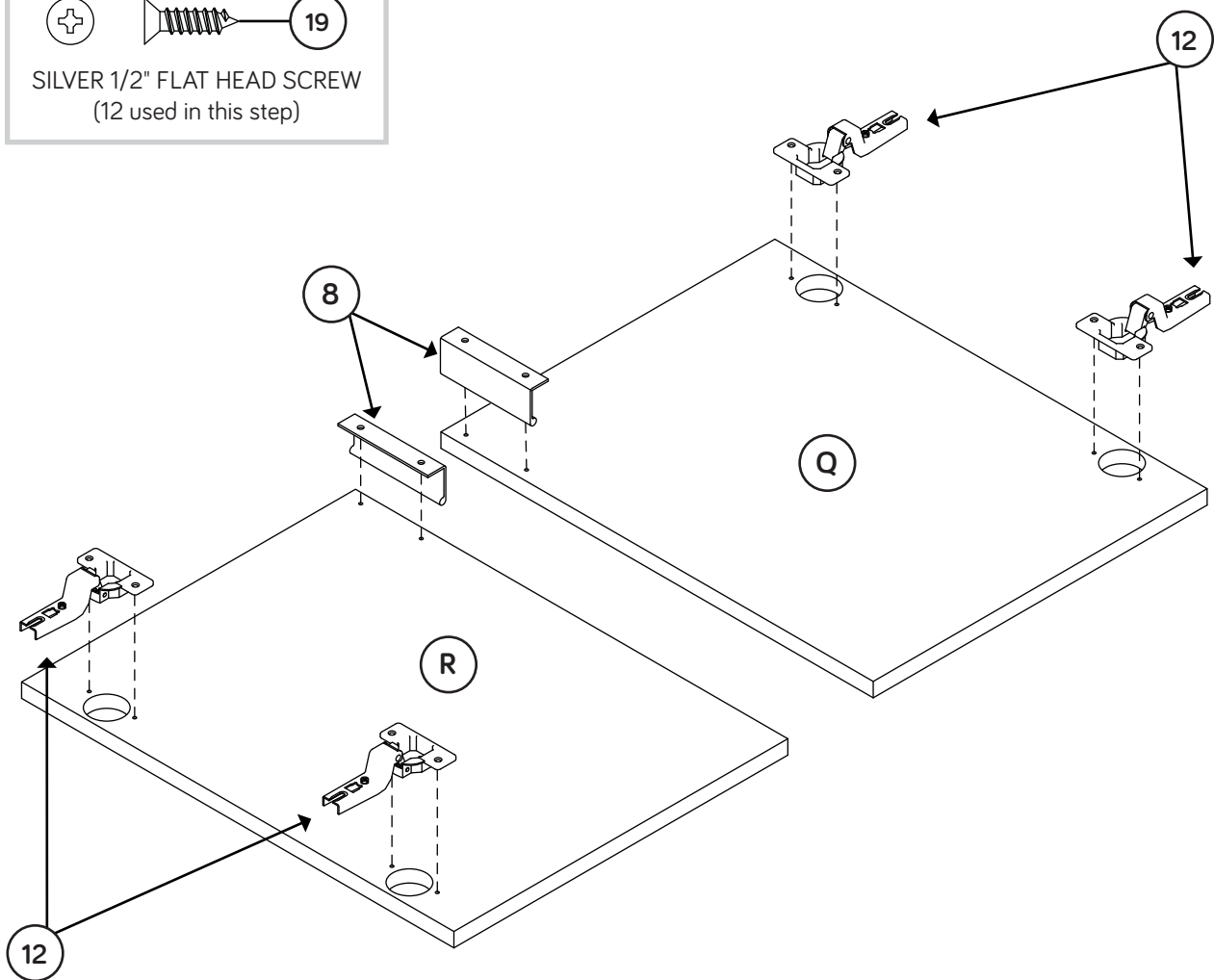
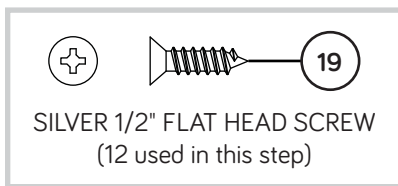
Step 14

- Fasten two EXTENSION SLIDES (U) to the DRAWER SIDES (K and M). Use six BLACK 1/2" PAN HEAD SCREWS (20).
- Fasten the PULL (8) to the DRAWER FRONT (P). Use two SILVER 1/2" FLAT HEAD SCREWS (19).



Step 15

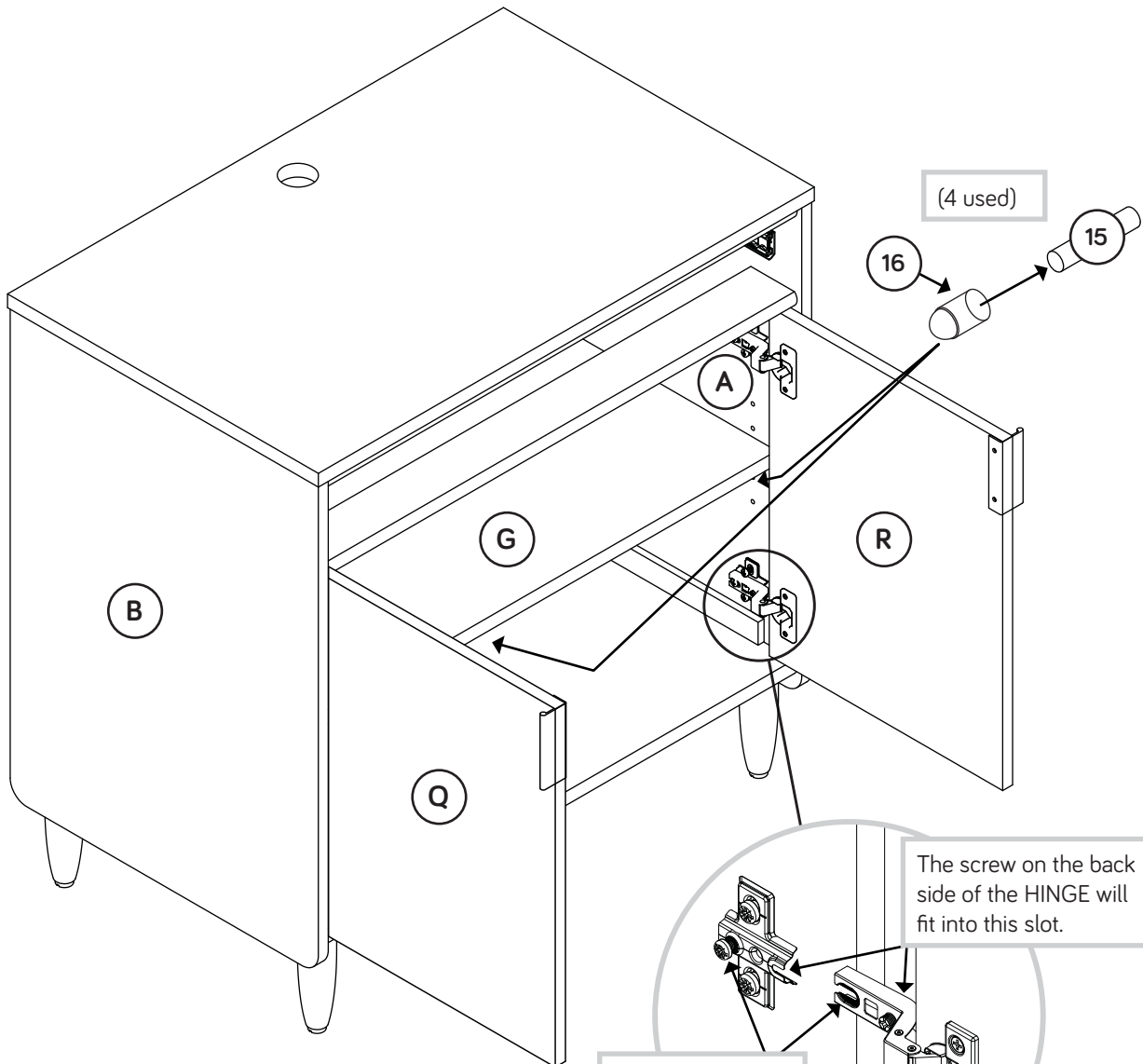
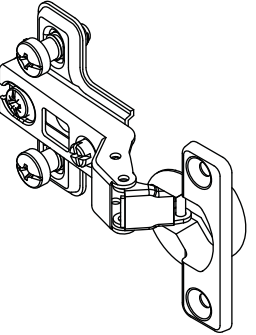
- Fasten the HINGES (12) to the DOORS (Q and R). Use eight SILVER 1/2" FLAT HEAD SCREWS (19).
- Fasten the PULLS (8) to the DOORS (Q and R). Use four SILVER 1/2" FLAT HEAD SCREWS (19).



Step 16

- ✦ Push the RUBBER SLEEVES (16) over the METAL PINS (15). Insert the METAL PINS into the hole locations of your choice in the ENDS (A and B). Set the ADJUSTABLE SHELF (G) onto the METAL PINS.
- ✦ Fasten the HINGES on the DOOR (R) to the HINGE BRACKETS on the RIGHT END (A).
- ✦ Follow the large diagram below fastening both HINGES to the HINGE BRACKETS keeping the DOOR vertical at all times.
- ✦ Tighten the mounting screws in the HINGE BRACKETS.
- ✦ Repeat this step for the LEFT DOOR (Q).

Mounting screw



(4 used)

The screw on the back side of the HINGE will fit into this slot.

This screw will fit into this slot. Then tighten the screw.

Step 17

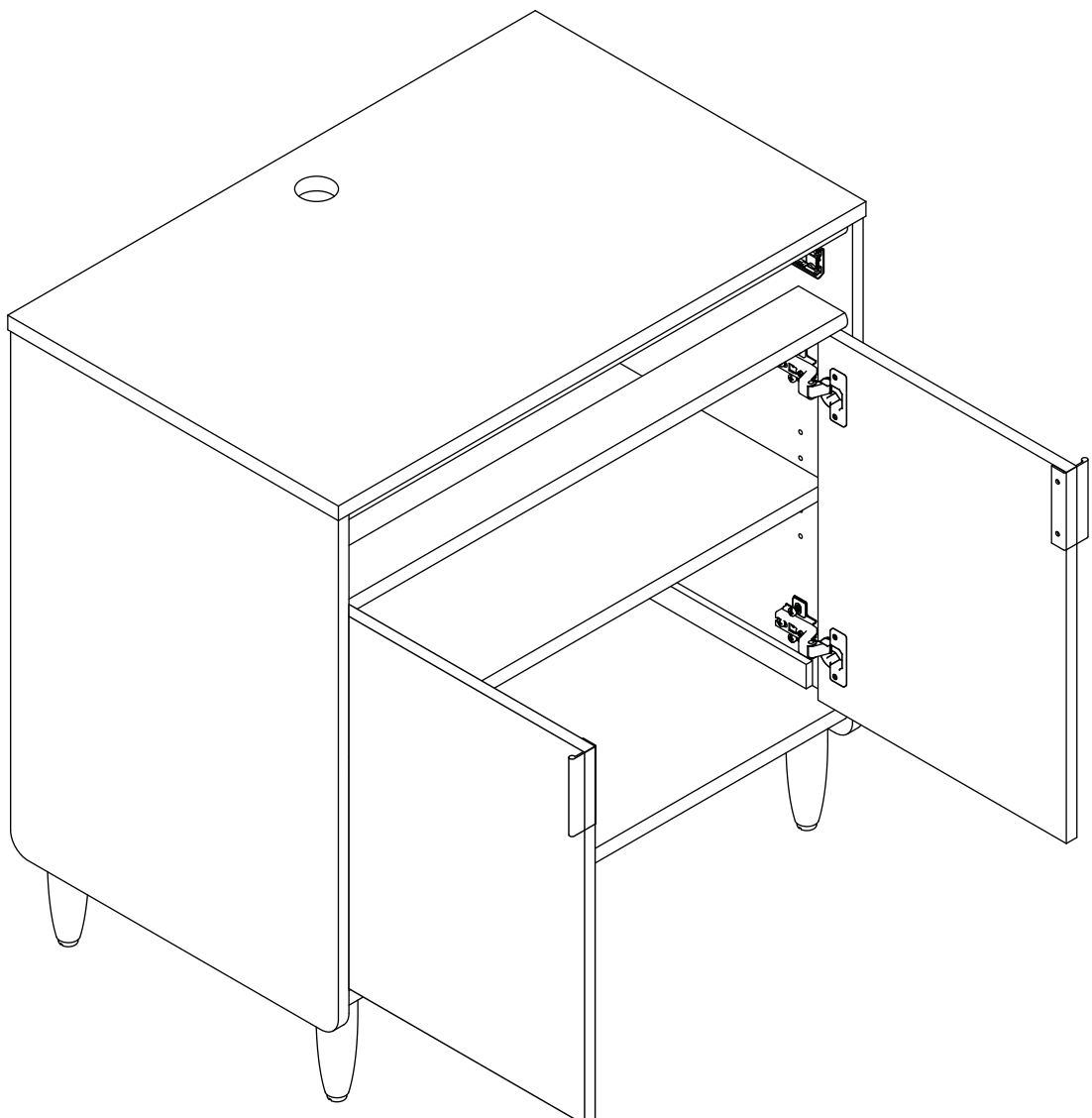
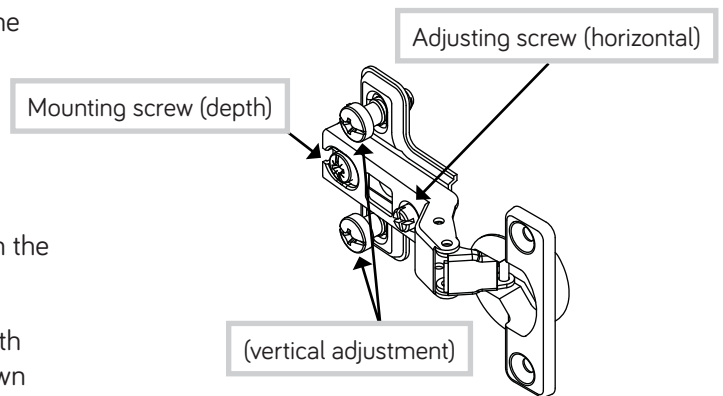
✚ Refer to the enlarged diagram to identify the parts on the HINGES.

✚ The DOORS may need some adjustments. Follow the text below to make needed adjustments.

✚ DOOR ADJUSTMENTS:
To adjust the DOORS from side to side (horizontal), turn the adjusting screw in or out.

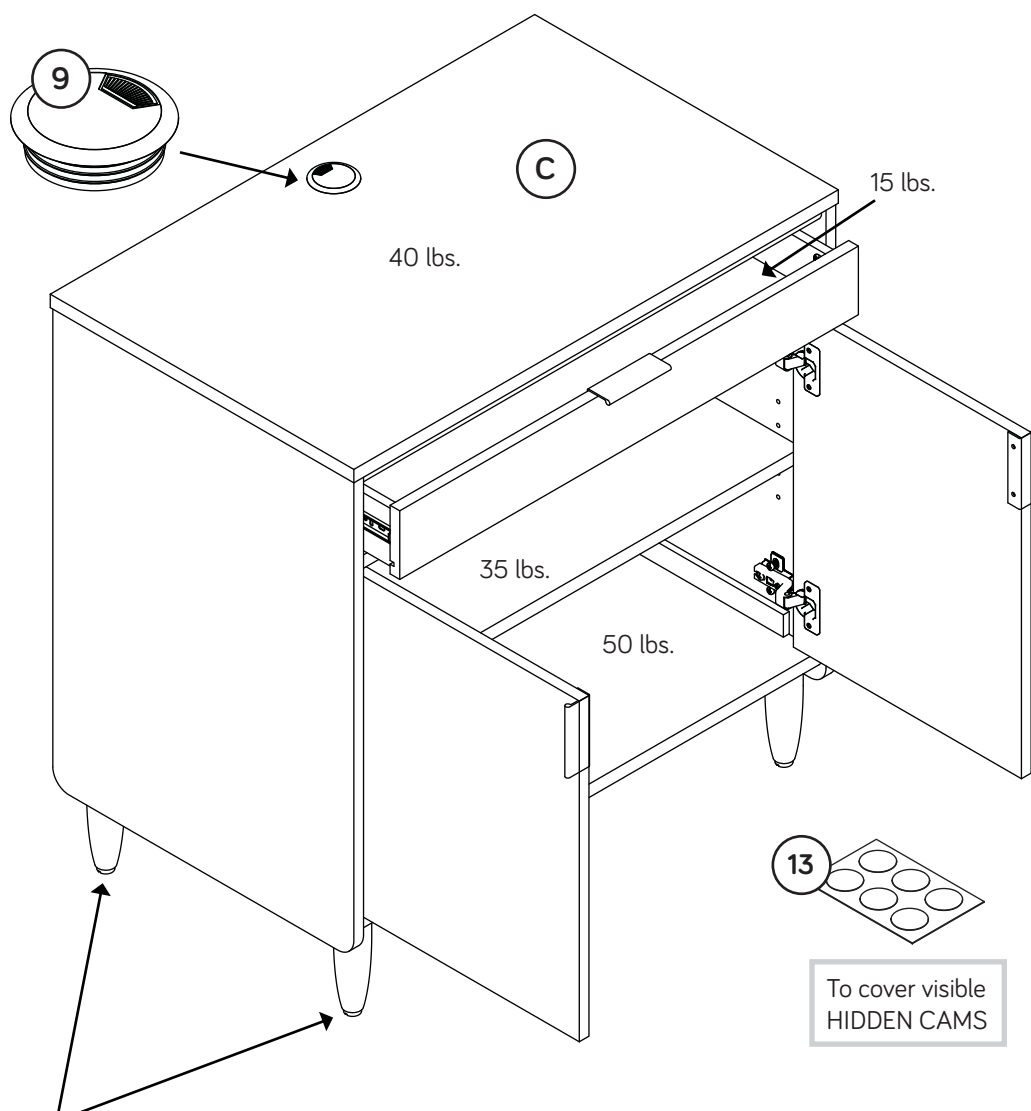
✚ To adjust the DOORS up and down (vertical), loosen both vertical adjustment screws. Move the DOORS up or down to the desired location. Tighten the screws after making adjustments.

✚ To adjust the DOORS in or out (depth), loosen the mounting screw one turn and move the DOORS in or out, as needed. Tighten the mounting screw after making adjustments.



Step 18

- ✚ Push a GROMMET WITH CAP (9) into the hole in the TOP (C).
- ✚ Peel an applique from the SMALL APPLIQUE CARD (13) and stick them on the visible HIDDEN CAMS.
- ✚ To insert the drawer into your unit, line up the EXTENSION SLIDES on the drawer with the EXTENSION RAILS on the unit and push the drawer into the unit until the drawer is fully inserted. The drawer will push in hard until it is all the way in, then it will slide in and out easier.
- ✚ NOTE: To raise a corner of the unit, turn the ADJUSTABLE GLIDE counter-clockwise. To lower a corner, turn the ADJUSTABLE GLIDE clockwise.
- ✚ NOTE: Please read the back pages of the instruction booklet for important safety information.
- ✚ This completes assembly. Clean with your favorite furniture polish or a damp cloth. Wipe dry.



NOTE: Make any needed adjustments to the ADJUSTABLE GLIDES to level your unit.

⚠ WARNING

Please use your furniture correctly and safely. Improper use can cause safety hazards, or damage to your furniture or household items. ***Carefully read the following chart.***

| Look out for: | What can happen: | How to avoid the problem: |
|--|---|--|
| <ul style="list-style-type: none">• Overloaded shelves.• Improper loading can cause the product to be top-heavy. | <ul style="list-style-type: none">• Risk of injury.• Top-heavy furniture can tip over.• Overloaded shelves can break. | <ul style="list-style-type: none">• Never exceed the weight limits shown in the instructions.• Work from bottom to top when loading shelves. Place the heavier items on the lower shelves. |
| <ul style="list-style-type: none">• Improperly moving furniture that is not designed and equipped with casters. | <ul style="list-style-type: none">• Furniture can tip over or break if improperly moved.• Physical injury. Furniture can be very heavy. | <ul style="list-style-type: none">• Unload shelves from top to bottom before moving the furniture.• Do not push furniture, especially on a carpeted floor. Have a friend help you lift the item and set it in place.• This unit must be positioned against a wall. |
| <ul style="list-style-type: none">• Children climbing on the shelves can cause the product to tip. | <ul style="list-style-type: none">• Risk of injury or death. | <ul style="list-style-type: none">• Do not allow children to climb on the shelves. Avoid placing items like toys or candy on upper shelves. |
| <ul style="list-style-type: none">• Placing TVs on furniture items that are not designed to support a television is hazardous. | <ul style="list-style-type: none">• Risk of injury or death. TVs can be very heavy. Plus the weight and location of the picture tube tends to make TVs unbalanced and prone to tipping forward. | <ul style="list-style-type: none">• This product is not designed to support a television. |