



**HANNSpree**

**HL400UPB (HSG1467)  
LCD Monitor**

# User's Manual

**HANNSpree**  
[www.hannspree.eu](http://www.hannspree.eu)

Before operating the monitor, please read this manual thoroughly. This manual should be retained for future reference.



This device complies with requirement of EMC directive 2014/30/EU with regard to Electromagnetic Compatibility, and 2014/35/EU and 93/68/EEC with regard to Low Voltage directive.

Socket-outlet shall be near the equipment and shall be accessible.

**Trademark Notice:**

**HDMI**<sup>TM</sup> HANNspree products incorporate High-Definition Multimedia Interface (HDMI<sup>TM</sup>) technology.

HIGH-DEFINITION MULTIMEDIA INTERFACE

The terms HDMI and HDMI High-Definition Multimedia Interface, and the HDMI Logo are trademarks or registered trademarks of HDMI Licensing Administrator, Inc. in the United States and other countries.

## **RECYCLING INFORMATION**

We, at **HANNspree** care very much about our environment protection strategy and firmly believe that it helps us have healthier earth via appropriate treatment and recycling of industrial technology devices at the end-of-life.

These devices contain recyclable materials, which can be re-decomposed and re-integrated into brand-new marvels. On the contrary, other material can be classified to hazardous and poisoned substances. We strongly encourage you to contact the provided information to recycle this product.

For more information, please visit  
<http://www.hannspree.eu/>

## TABLE OF CONTENTS

<b>SAFETY NOTICE .....</b>	<b>5</b>
<b>PRECAUTIONS.....</b>	<b>5</b>
<b>SPECIAL NOTES ON LCD MONITORS .....</b>	<b>6</b>
<b>BEFORE YOU OPERATE THE MONITOR.....</b>	<b>7</b>
<b>FEATURES.....</b>	<b>7</b>
<b>CHECKING THE CONTENTS OF THE PACKAGE .....</b>	<b>7</b>
<b>INSTALLATION INSTRUCTIONS.....</b>	<b>8</b>
<b>POWER.....</b>	<b>8</b>
<b>SETTING THE MONITOR ON THE WALL .....</b>	<b>9</b>
<b>FUNCTIONS OF THE REMOTE CONTROL.....</b>	<b>10</b>
<b>MAKING CONNECTIONS.....</b>	<b>11</b>
<b>OPERATING INSTRUCTIONS .....</b>	<b>12</b>
<b>GENERAL INSTRUCTIONS.....</b>	<b>12</b>
<b>FRONT PANEL CONTROL .....</b>	<b>13</b>
<b>HOW TO ADJUST A SETTINGS.....</b>	<b>14</b>
<b>MEDIA CENTER MENU .....</b>	<b>17</b>
<b>PLUG AND PLAY.....</b>	<b>19</b>
<b>TECHNICAL SUPPORT (FAQ) .....</b>	<b>20</b>
<b>Q &amp; A FOR GENERAL PROBLEMS .....</b>	<b>20</b>
<b>ERROR MESSAGE &amp; POSSIBLE SOLUTIONS .....</b>	<b>22</b>
<b>APPENDIX .....</b>	<b>24</b>
<b>SPECIFICATIONS.....</b>	<b>24</b>

## **SAFETY NOTICE**

1. The changes or modifications not expressly approved by the party responsible for compliance could void the user's authority to operate the equipment.
2. Shielded interface cables and AC power cord, if any, must be used in order to comply with the emission limits.
3. The manufacturer is not responsible for any radio or TV interference caused by unauthorized modification to this equipment. It is the responsibilities of the user to correct such interference.
4. Only use attachments/accesories specified by the manufacturer.

### **WARNING:**

To prevent fire or shock hazard, do not expose the monitor to rain or moisture. Dangerously high voltages are present inside the monitor. Do not open the cabinet. Refer servicing to qualified personnel only.

## **PRECAUTIONS**

- Do not use the monitor near water, e.g. near a bathtub, washbowl, kitchen sink, laundry tub, swimming pool or in a wet basement.
- Do not place the monitor on an unstable cart, stand, or table. If the monitor falls, it can injure a person and cause serious damage to the appliance. Use only a cart or stand recommended by the manufacturer or sold with the monitor. If you mount the monitor on a wall or shelf, use a mounting kit approved by the manufacturer and follow the kit instructions.
- Slots and openings in the back and bottom of the cabinet are provided for ventilation. To ensure reliable operation of the monitor and to protect it from overheating, be sure these openings are not blocked or covered. Do not place the monitor on a bed, sofa, rug, or similar surface. Do not place the monitor near or over a radiator or heat register. Do not place the monitor in a bookcase or cabinet unless proper ventilation is provided.
- The monitor should be operated only from the type of power source indicated on the label. If you are not sure of the type of power supplied to your home, consult your dealer or local power company.
- Unplug the unit during a lighting storm or when it will not be used for long period of time. This will protect the monitor from damage due to power surges.
- Do not overload power strips and extension cords. Overloading can result in fire or electric shock.
- Never push any object into the slot on the monitor cabinet. It could short circuit parts causing a fire or electric shock. Never spill liquids on the monitor.
- Do not attempt to service the monitor by yourself; opening or removing covers can expose you to dangerous voltages and other hazards. Please refer all servicing to qualified service personnel.
- The wall socket shall be installed near the equipment and shall be easily accessible.

## **SPECIAL NOTES ON LCD MONITORS**

The following symptoms are normal with LCD monitor and do not indicate a problem.

- Due to the nature of the fluorescent light, the screen may flicker during initial use. Turn off the Power Switch and then turn it on again to make sure the flicker disappears.
- You may find slightly uneven brightness on the screen depending on the desktop pattern you use.
- The LCD screen has effective pixels of 99.99% or more. It may include blemishes of 0.01% or less such as a missing pixel or a pixel lit all of the time.
- Due to the nature of the LCD screen, an afterimage of the previous screen may remain after switching the image, when the same image is displayed for hours. In this case, the screen is recovered slowly by changing the image or turning off the Power Switch for hours.
- If the screen suddenly flashes erratically or the backlighting fails, please contact your dealer or service center for repair. Do not attempt to repair the monitor yourself.

# BEFORE YOU OPERATE THE MONITOR

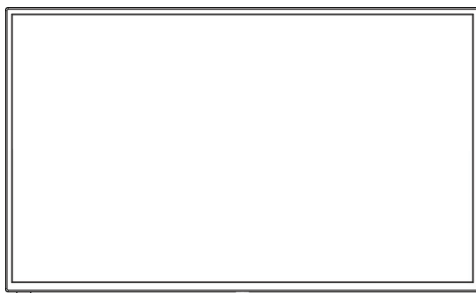
## FEATURES

- 100,33cm / 39.5" Wide Screen TFT Color LCD Monitor
- Crisp, Clear Display
- Ergonomic Design
- Space Saving, Compact Case Design

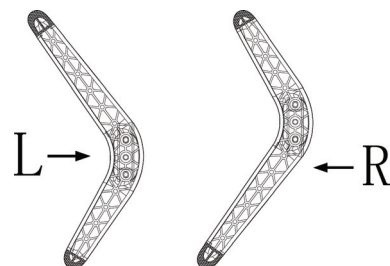
## CHECKING THE CONTENTS OF THE PACKAGE

The product package should include the following items:

### LCD Monitor

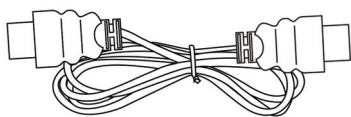


Display

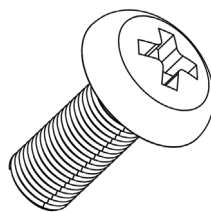


Base

### Cables and User manual



HDMI Cable

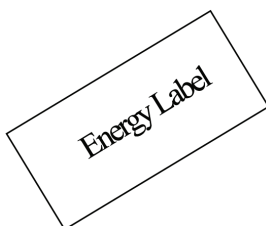


x 4

Screws



Remote Control



Energy Label



Warranty Card



Quick Start Guide

## INSTALLATION INSTRUCTIONS

Carefully place the Monitor face down on a soft and flat surface (blanket, foam, cloth, etc) to prevent any damage to the Monitor.

### INSTALL & REMOVE

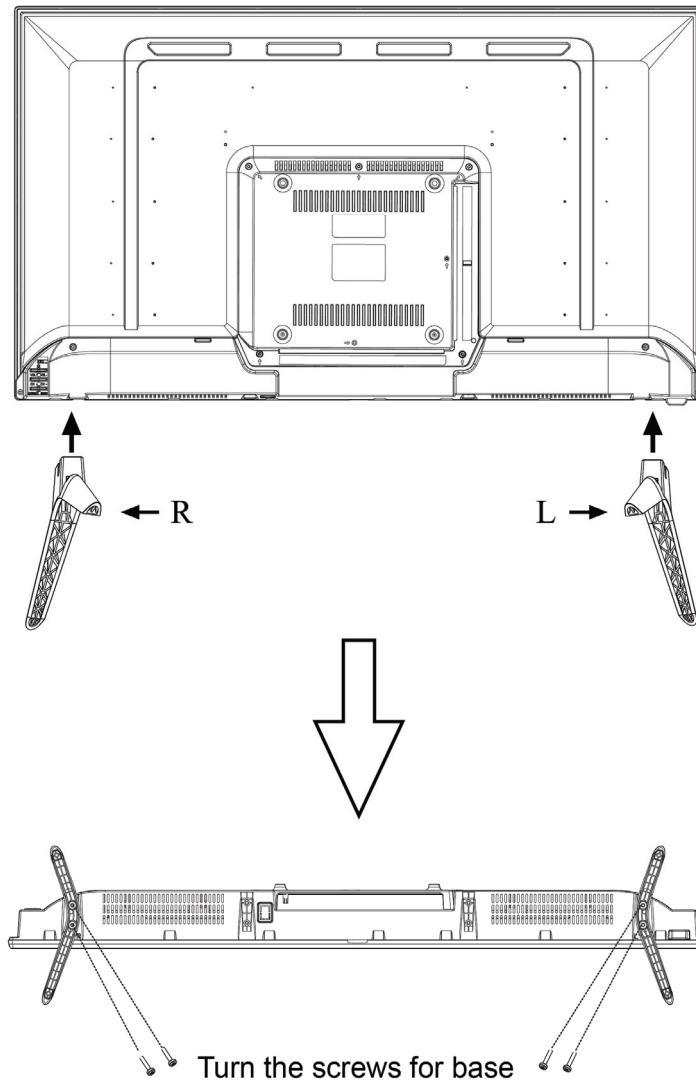


Figure.1. Installing and Removing the Base

## POWER

### **POWER SOURCE:**

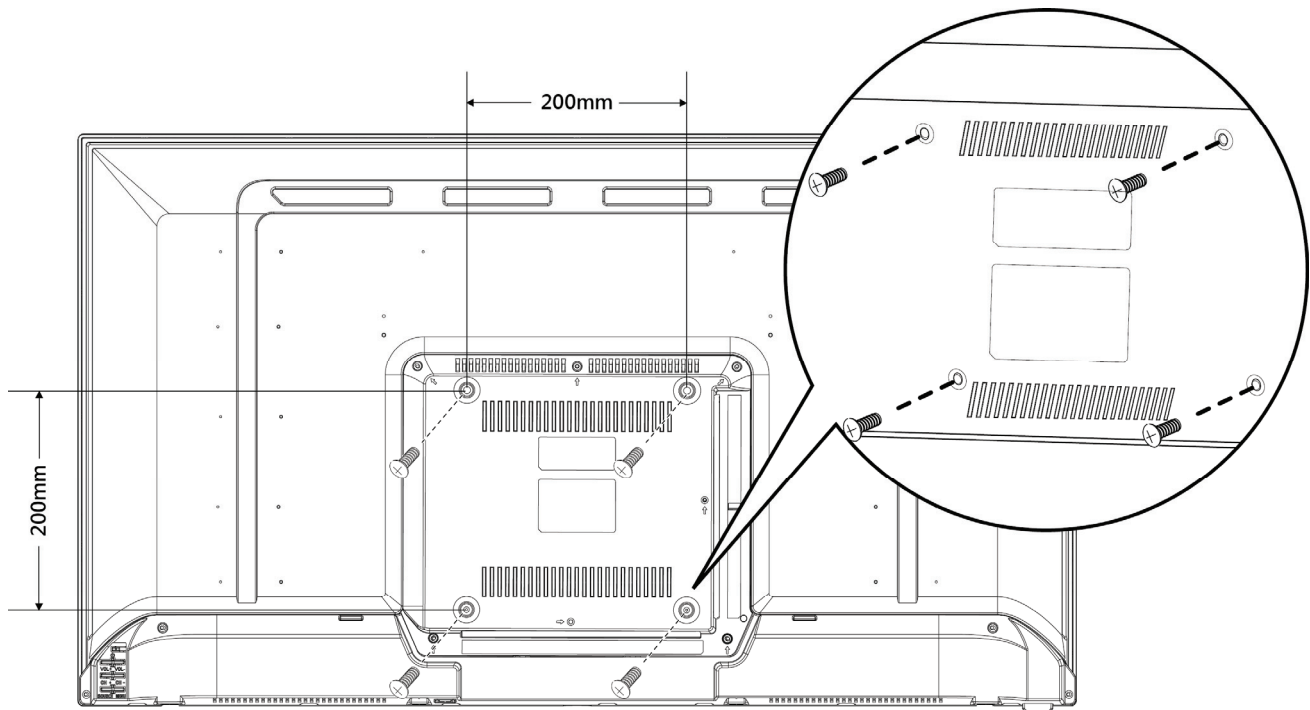
1. Make sure that the power cord is the correct type required in your area.
2. This LCD monitor has an Internal universal power supply that allows operation in either 100/120V AC or 220/240V AC voltage area (No user adjustment is required.)
3. Connect the AC-power cord one end to your LCD monitor's AC-input socket, the other end to wall-outlet.



## SETTING THE MONITOR ON THE WALL

### DISSEMBLING THE STAND BASE:

1. Disconnect all the cables and cords from the Monitor to prevent breakage.
2. Carefully place the Monitor face down on a soft and flat surface (blanket, foam, cloth, etc) to prevent any damage to the Monitor.



(For reference only)

VESA Spec	Screw type	Quantity
200 x 200mm	M6 x L12mm	4

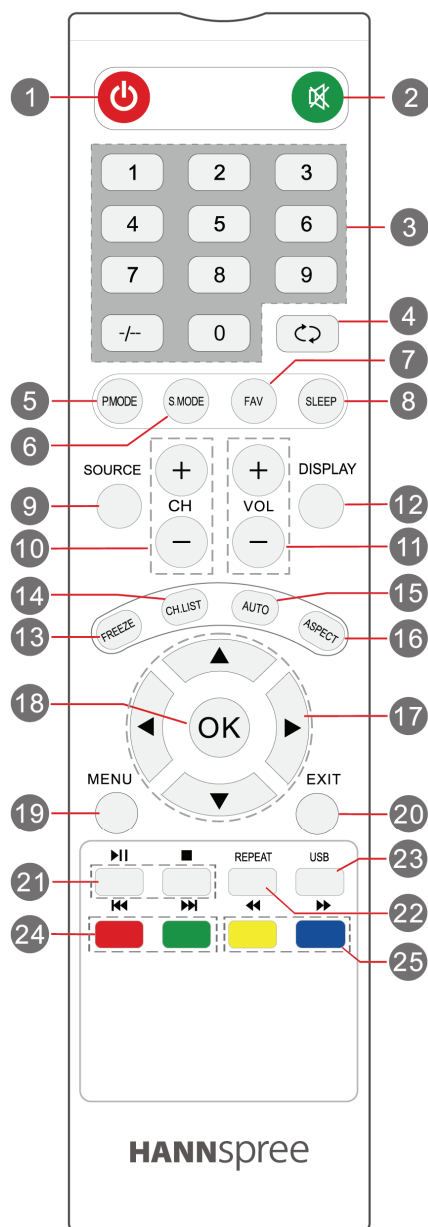
#### Note:

- Please read the instructions of your specific wall bracket to properly wall mount the Monitor.
- The pitch of the mounting holes is 200mm horizontally and 200mm vertically.
- The screws type required is metric: M6, 12mm length.
- The Monitor stand base can be screwed on a table or a hard surface using the hole on the back of the stand base.
- For use only with UL listed wall mount bracket.

*\*Installing the LCD Monitor requires special skill that should only be performed by qualified service personnel. Customers should not attempt to do the work themselves. HANNspree bears no responsibility for improper mounting or mounting that results in accident or injury. You can ask a qualified service personnel about using an optional bracket to mount the Monitor to the wall.*

## FUNCTIONS OF THE REMOTE CONTROL

### • Remote control description



1		Turn the monitor <b>ON</b> and <b>OFF</b> .
2		Mute.
3	0~9	No Function.
4		Switches back and forth between the current and previous channels.
5	<b>P. MODE</b>	Select a picture mode for different picture qualities
6	<b>S. MODE</b>	No Function.
7	<b>FAV</b>	No Function.
8	<b>SLEEP</b>	To select the amount of time before your TV turns off automatically.
9	<b>SOURCE</b>	Press to select the input signal type selections .
10	<b>CH+ / CH-</b>	Skip to the next / previous channel on TV mode.
11	<b>VOL+ / VOL-</b>	Volume adjustment button.
12	<b>DISPLAY</b>	Enable and disable enable.
13	<b>FREEZE</b>	Press the key to hold the screen fixed.
14	<b>CH.LIST</b>	No Function.
15	<b>AUTO</b>	No Function.
16	<b>ASPECT</b>	Select the aspect ratio settings: Wide/Zoom/Cinema/Normal.
17		Moves and selection button.
18	<b>OK</b>	Press this confirm selections on a menu screen.
19	<b>MENU</b>	OSD MENU.
20	<b>EXIT</b>	Exit screen display.
21		Play or pause/stop the current program.
22	<b>REPEAT</b>	Press the button to enter the REPEAT mode.
23	<b>USB</b>	USB mode
24		To play the previous or next chapter, title or track.
25		Fast forward or fast backward.

## MAKING CONNECTIONS

### CONNECTING TO A PC

You can setup your monitor with the below suggested connections. Ensure your monitor is off during this process.

1. Connect one end of the HDMI cable to the back of the monitor and connect the other end to the computer's HDMI port.
2. Connect one end of the VGA cable (optional) to the back of the monitor and connect the other end to the computer's VGA port.
3. Connect the audio cable between the monitor's audio input and the PC's audio output (green port).
4. Plug one end of the AC power cord to the LCD monitor's AC input socket, and the other end to Wall outlet.
5. Turn on your monitor and computer.

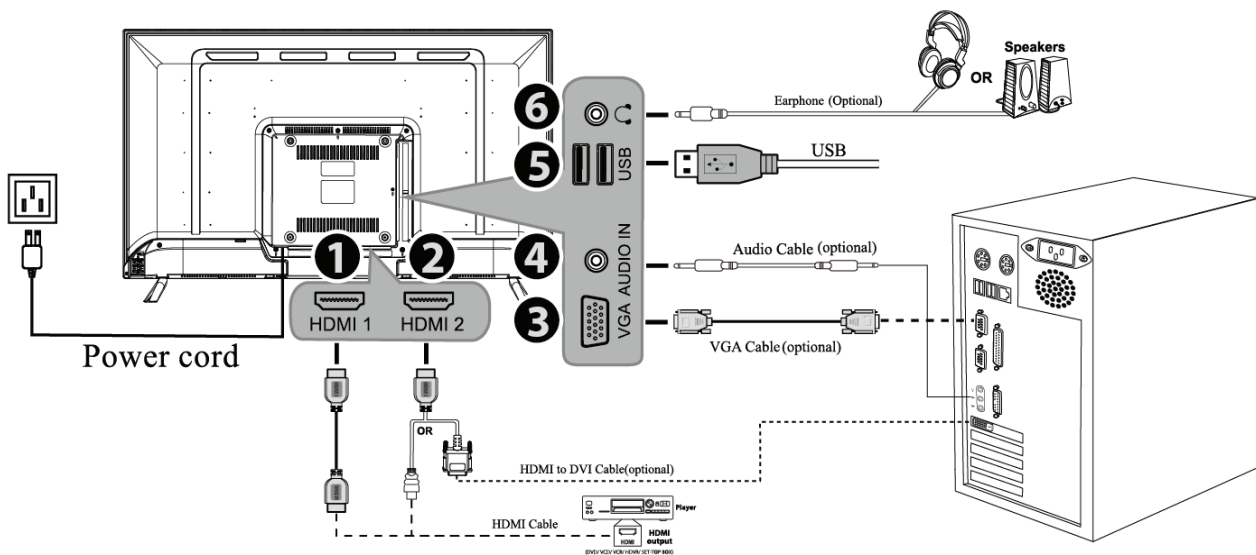


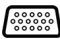





Figure.2. Connecting to a PC

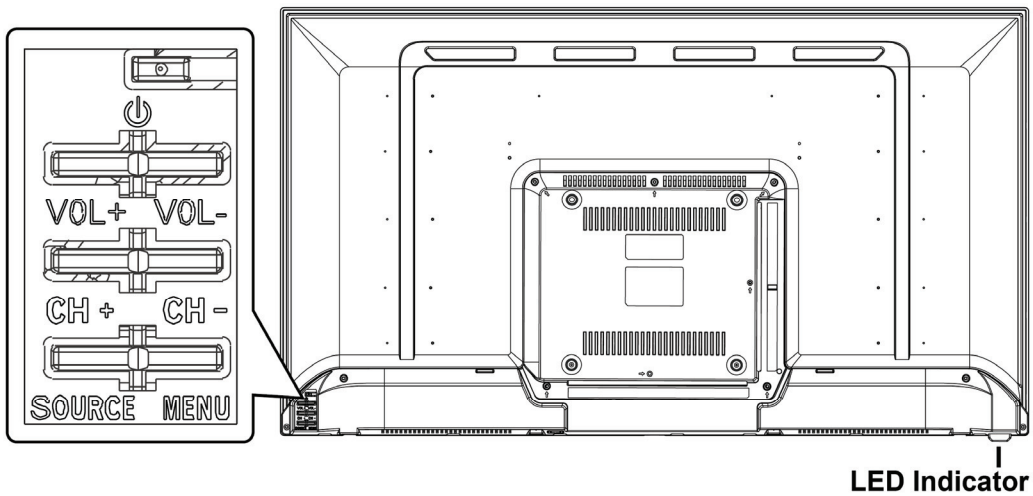
No.	Description	Connector	Function
1	HDMI 1		Connect to the HDMI output of A/V devices.
2	HDMI 2		
3	VGA		Connect to a PC VGA port.
4	AUDIO IN		Connect to the corresponding audio connectors on your A/V device.
5	USB		Connect to USB devices, such as USB flash drive.
6	Earphone Jack		Connect to earphones. By connecting the earphones, you can listen to the sound from the display through the earphones.

# OPERATING INSTRUCTIONS

## GENERAL INSTRUCTIONS

Press the power button to turn the monitor on or off. The other control buttons are located on the front panel of the monitor (See Figure 3). By changing these settings, the picture can be adjusted to your personal preferences.

- The power cord should be connected.
- Connect your display cable from the monitor to your devices display input port
- Press the power button to turn on the monitor. The power indicator will light up.




	Power Button
VOL +	▲ [ + ] Volume adjustment button
VOL -	▼ [ - ] Volume adjustment button
CH +	▲ Function adjustment when OSD is activated
CH -	▼ Function adjustment when OSD is activated
SOURCE	Input source change / Return
MENU	MENU / ENTER
LED	Receive IR signals from the remote control Blue indicates power on. Red indicates standby mode.

Figure.3. Control Panel Buttons

## FRONT PANEL CONTROL

- **Power Button:**

Press this button to switch ON/OFF of monitor's power.

- **Power Indicator:**

Blue — Power On mode.

Red — Power Saving mode.

- **MENU / ENTER:**

Turn the OSD menu on/off or enter to the previous menu.

- **Adjust ▲▼:**

1. Adjust Brightness and volume when the OSD is off.
2. Navigate through adjustment icons when OSD is ON or adjust a function when function is activated.

- **【 SOURCE 】 Button:** 《Analog Input Models》

1. The OSD menu is used as 《confirmation》 function during start-up.
2. The 「Auto adjustment」 function works only for VGA input. (The auto adjustment function is used to optimize the 「horizontal position」, 「vertical position」, 「clock」, and 「phase」.)



- **【 SOURCE 】 Button:** 《Digital Input Models》

1. Press【 SOURCE 】to enter Source selections. (Selections include VGA, HDMI, etc. The actual selections may vary depending on the models. This function is only available in models with digital inputs)
2. The OSD menu is used as 《confirmation》 function during start-up.

### NOTES:

- Do not install the monitor in a location near heat sources such as radiators or air ducts, or in a place subject to direct sunlight, or excessive dust or mechanical vibration or shock.
- Save the original shipping box and packing materials, as they will come in handy if you ever have to ship your monitor.
- To keep the monitor looking new, periodically clean it with a soft cloth. Stubborn stains may be removed with a cloth lightly dampened with a mild detergent solution. Never use strong solvents such as thinner, benzene, or abrasive cleaners, since these will damage the cabinet. As a safety precaution, always unplug the monitor before cleaning it.

## HOW TO ADJUST A SETTINGS

 <b>PICTURE</b>	
PICTURE MODE	Adjust the overall effect of images :Standard , Dynamic , Movie , User.
CONTRAST	Adjust the overall layering of images: increase the analog value to improve the contrast and decrease the analog value to reduce the contrast(0-100).
BRIGHTNESS	Adjust the overall brightness of images: increase the analog value to improve the brightness and decrease the analog value to reduce the brightness (0-100).
COLOR	Adjust the color depth of images: increase the analog value to improve the depth and decrease the analog value to reduce the depth (0-100)
SHARPNESS	Select the 「 SHARPNESS 」 option to adjust the sharpness of the display. Set the value from 0 to 100.
TINT	Adjust the tint of images: increase the analog value to increase green and decrease analog value to increase purple (0-100); the tint function in only valid in TINT system.
COLOR TEMPERATURE	Adjust the color temperature value of the display according to your preference: WARM /NATURE/ COOL. .
ASPECT RATIO	Adjust the aspect ratio: 4:3 , 16:9 , Zoom1, Zoom 2 , Just Scsn , Point To Point
NOISE REDUCTION	Set the grade of noise reduction: Middle , High, Off, Low.
 <b>SOUND</b>	
SOUND MODE	Select the audio mode: Standard , Sports , Movie , User .
TREBLE	Adjust the treble: increase the analog value to increase the treble and decrease the analog value to reduce the treble (0-100).
BASS	Adjust the bass: increase the analog value to increase the bass and decrease the analog value to reduce the bass (0-100).
BALANCE	Adjust balance degree of right&left sound track: move the analog value to left to increase the left volume; move the analog value to right to increase the right volume (L50-R50). Generally,

	the balance is set to 0 .
AUTO VOLUME	Select the 「 AUTO VOLUME 」 option to switch the function On or Off.
SURROUND SOUND	Select the 「 SURROUND SOUND 」 option to switch the function Surround or Off.
SPDIF MODE	Select the 「 SPDIF MODE 」 option to switch the function: PCM , Off, Auto .




**TIME**

CLOCK	Select the 「 CLOCK 」 option to reduce the vertical flicker of characters on the screen. Enter the option and adjust the level. <a href="#">[For VGA only]</a>
SLEEP TIMER	Set the waiting time of standby: Off, 15,30,45, 60, 90, 120, 240.unit: min
AUTO SLEEP	Set the waiting time of standby: Off, 3Hours, 4Hours, 5Hours, .unit: min



**OPTION**

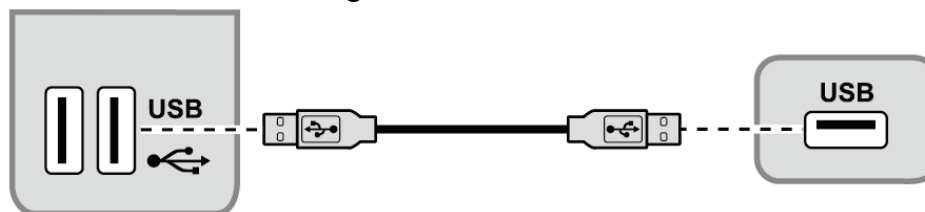
OSD LANGUAGE	Select 「 LANGUAGE 」 option to change the language of the OSD. Enter the option and select a language. <a href="#">[Reference only, the OSD Language depends on the selected model]</a>
ECO MODE	Select the 「 ECO MODE 」 option to switch the function: Middle , High, Off, Low. .
OSD TIME	Select 「 OSD TIME-OUT 」 option to set the OSD time out from 5 to 30 seconds. Enter the option and adjust the level.
BLUE SCREEN	Select the 「 BLUE SCREEN 」 option to switch the function On or Off.
BACKLIGHT	Select the 「 BACKLIGHT 」 option to switch the function(0-100).
AUTO PLAY TYPE	Select the picture mode according to your preference: Photo / Music / Movie / Text / Off.
PHOTO SHOW TIME	Select 「 PHOTO SHOW TIME 」 option to set the photo show time from 3 to 30 seconds. Enter the option and adjust the level.

RESET	Select the 「RESET」 option to reset to the monitor's default setting. This will erase the current settings. Enter the option and select On or Off..
 LOCK	
LOCK SYSTEM	Select the「LOCK SYSTEM」option to switch the function On or Off.



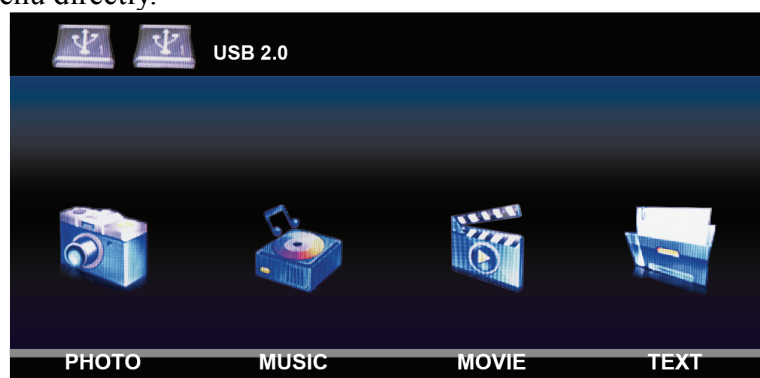
## MEDIA CENTER MENU

\* Your Monitor is equipped with a USB connector that enables you to view photos, listen to music, or watch videos stored on a USB storage device.



Device	File Format
USB 2.0 device	USB memory, USB card reader
File System	FAT / FAT 32
Photo file format	JPEG (*.JPG)
Music format	MPEG1 (*.MP3) Bitrate: 32k, 64k, 96k, 128k, 196k, 256k, 320kbps Sampling frequency: 32k, 44.1k, 48kHz
Video file format	MPEG1/2 (*.AVI, *.MPG, *.MPEG, *.TS) MPEG4 (*.AVI, *.MP4) H.264 (*.AVI, *.MP4, *.TS)

\* Plug a **USB** device to the USB connector on the Monitor. When this USB device is detected, it enters the **USB** menu directly.



## Viewing PHOTOS

1. Select **MEDIA > Photo**, then press **OK** to enter the main file content browser.
2. In the main file content browser, use **▲/▼/◀/▶** to select a photo or an inner file folder.
  - Select an inner file folder, press **OK** to enter a sub file content browser.
  - Press Menu to display the photo menu in the folder mode.
    - **Sort** : Sort folders and photos by Date or Name.
    - **Edit** : Copy, Paste, or Delete a selected photo.
    - **Parser** : Select Recursive to display photos from all sub file folders.
3. Select a photo, press **OK** to view in full screen, and a slide show begins from the selected photo.
  - Press Menu to display the photo menu in the browser mode. You can play, pause or rotate the photo, and set other related slide show settings.
4. Press **OK** to pause the slide show.
  - Press **▲ / ▼** to view the previous or next photo.

## Playback MUSIC

1. Select **MEDIA > MUSIC**, then press **OK** to enter the main file content browser.
2. In the main file content browser, use **▲/▼/◀/▶** to select a song or an inner file folder.
  - Select an inner file folder, press **OK** to enter a sub file content browser.
  - Press **Menu** to display the music menu in the folder mode.
    - **Sort** : Sort folders and songs by Name, Genre, Artist, or Album.
    - **Edit** : Copy, Paste, or Delete a selected song.
    - **Parser** : Select Recursive to display songs from all sub file folders.
3. Select a song, press **OK** to play, and an automatic playback begins from the selected song.
  - Press **Menu** to display the music menu in the browser mode. You can play or pause the song, select different play mode, and set other related playback settings.
4. Press the related buttons on the remote control to perform the available functions shown on the function bar at the bottom of the Monitor screen.

## Watching MOVIES

1. Select **MEDIA > MOVIE**, then press **OK** to enter the main file content browser.
2. In the main file content browser, use **▲/▼/◀/▶** to select a video or an inner file folder.
  - Select an inner file folder, press **OK** to enter a sub file content browser.
  - Press **Menu** to display the video menu in the folder mode.
    - **Sort** : Sort folders and videos by Type, Date, or Name.
    - **Edit** : Copy, Paste, or Delete a selected video.
    - **Parser** : Select Recursive to display videos from all sub file folders.
3. Select a video, press **OK** to play, and an automatic playback begins from the selected video.
  - Press **Menu** to display the video menu in the browser mode. You can play or pause the video, select different play mode, and set other related playback settings.
4. Press the related buttons on the remote control to perform the available functions shown on the function bar at the bottom of the Monitor screen.

## Viewing TEXT :

1. Select **MEDIA > TEXT**, then press **OK** to enter the main file content browser.
2. In the main file content browser, use **▲/▼/◀/▶** to select a text or an inner file folder.
  - Select an inner file folder, press **OK** to enter a sub file content browser.
  - Press **Menu** to display the text menu in the folder mode.
    - **Sort** : Sort folders and photos by Date or Name.
    - **Edit** : Copy, Paste, or Delete a selected text.
3. Select a text, press **OK** to view in full screen, and a slide show begins from the selected text.
  - Press **Menu** to display the text menu in the browser mode. You can play, pause or rotate the text, and set other related slide show settings.
4. Press **OK** to pause the slide show.
  - Press **▲ / ▼** to view the previous or next text.

## **PLUG AND PLAY**

### **Plug & Play DDC2B Feature**

This monitor is equipped with VESA DDC2B capabilities according to the VESA DDC STANDARD. It allows the monitor to inform the host system of its identity and, depending on the level of DDC used, communicate additional information about its display capabilities. The DDC2B is a bidirectional data channel based on the I<sup>2</sup>C protocol. The host can request EDID information over the DDC2B channel.

**THIS MONITOR WILL APPEAR TO BE NON-FUNCTIONAL IF THERE IS NO VIDEO INPUT SIGNAL. IN ORDER FOR THIS MONITOR TO OPERATE PROPERLY, THERE MUST BE A VIDEO INPUT SIGNAL.**

# TECHNICAL SUPPORT (FAQ)

## Q & A FOR GENERAL PROBLEMS

PROBLEM & QUESTION	POSSIBLE SOLUTION
Power LED is not on	<ul style="list-style-type: none"><li>*Check if the Power Switch is in the ON position.</li><li>*Power Cord should be connected.</li></ul>
No Plug & Play	<ul style="list-style-type: none"><li>*Check if the PC system is Plug &amp; Play compatible.</li><li>*Check if the Video Card is Plug &amp; Play compatible.</li><li>*Check if any plug pins on the VGA or HDMI connector are bent.</li></ul>
The display is too dark or too bright.	<ul style="list-style-type: none"><li>*Adjust the Contrast and Brightness Controls.</li></ul>
Picture bounces or a wave pattern is present in the picture	<ul style="list-style-type: none"><li>*Move electrical devices that may cause electrical interference.</li></ul>
The power LED is ON (Blue) but there's no video or no picture.	<ul style="list-style-type: none"><li>*Computer Power Switch should be in the ON position.</li><li>*Computer Video Card should be snugly seated in its slot.</li><li>*Make sure monitor's video cable is properly connected to the computer.</li><li>*Inspect monitor's video cable and make sure none of the pins are bent.</li><li>*Make sure computer is operational by hitting the CAPS LOCK key on the keyboard while observing the CAPS LOCK LED. The LED should either turn ON or OFF after hitting the CAPS LOCK key.</li></ul>
Missing one of the primary colors (RED, GREEN, or BLUE)	<ul style="list-style-type: none"><li>*Inspect the monitor's video cable and make sure that none of the pins are bent.</li></ul>
Picture has color defects (White does not look white)	<ul style="list-style-type: none"><li>*Adjust RGB color or select color temperature.</li></ul>
The screen resolution needs to be adjusted	<ul style="list-style-type: none"><li>*Use Windows 7/ Windows 8 / Windows 10 Right click anywhere on desktop and select <b>Properties&gt;Settings&gt;Screen Resolution</b>. Use the slider to adjust the resolution and click <b>Apply</b>.</li></ul>
No sound is outputted from monitor's built-in speaker	<ul style="list-style-type: none"><li>*Make sure PC audio output cable is connected to screen's LINE IN port (or AUDIO IN port).</li><li>*Make sure the sound volume adjustment can be clearly identified.</li><li>*Make sure the <b>System &gt; Silence</b> option in the monitor menu is on.</li><li>*While transferring via HDMI port but no sound is outputted, it is recommended to select AUDIO INPUT as a PC option, and make sure PC audio output cable is connected to monitor's LINE IN</li></ul>

port(or AUDIO IN port). [For HDMI Input only]

### Addendum related to Windows 7 / Windows 8 / Windows 10

When you encounter display problem under Windows 7/ Windows 8/ Windows 10, you need to do the following:

1. Make sure your PC computer (Hardware requirement) can support Windows 7/ Windows 8/ Windows 10.
2. Make sure your video card can run Windows 7/ Windows 8/ Windows 10.
3. If your video card can support Windows 7/ Windows 8/ Windows 10, need to install the latest Windows 7/ Windows 8/ Windows 10 driver of your video card.

Suggest to do the following:

1. Install the latest Windows 7/ Windows 8/ Windows 10 video driver of your video card.
2. Try to use the recommended display resolution that is supported by the monitor.
3. If the recommended display resolution is not working, try the second recommended display resolution.

	1	2
35,56cm / 14" (16:9)	1366×768@60Hz	1366×768@50Hz
39,6cm / 15.6" (16:9)	1366×768@60Hz	1366×768@75Hz
40,64cm / 16" (16:9)	1366×768@60Hz	1366×768@50Hz
43,2cm / 17" (16:10)	1440×900@60Hz	1440×900@75Hz
47cm / 18.5" (16:9)	1366×768@60Hz	1366×768@75Hz
48,3cm / 19" (5:4)	1280×1024@60Hz	1280×1024@75Hz
48,3cm / 19" (16:10)	1440×900@60Hz	1440×900@75Hz
51cm / 20" (16:9)	1600×900@60Hz	1600×900@50Hz
56cm / 22" (16:10)	1680×1050@60Hz	1680×1050@50Hz
54,6cm / 21.5" (16:9)	1920×1080@60Hz	1920×1080@50Hz
58,4cm / 23" (16:9)		
60cm / 23.6" (16:9)		
62,5cm / 24.6 (16:9)		
68,6cm / 27" (16:9)		
70cm / 27.5" (16:10)	1920×1200@60Hz	1920×1200@50Hz
71cm / 28" (16:9)	1920×1080@60Hz	1920×1080@50Hz
71,1cm/28"(16:9)	3840 × 2160 @60Hz	3840 × 2160 @50Hz
97,8cm/38.5"(16:9)	2560 x 1440@60Hz	2560 x 1440@120Hz
86,4cm/34"(21:9)	3440x1440@60Hz	3440x1440@50Hz
111,25cm/43.8"(32:9)	3840 × 1080 @60Hz	3840 × 1080 @120Hz

And if you still have display problem after doing the above procedure, please visit HANNSpree support and Service Website: <http://www.hannspree.eu/en/monitors>

Windows is a registered trademark of Microsoft Corporation.

## ERROR MESSAGE & POSSIBLE SOLUTIONS

- **CABLE NOT CONNECTED:**
  1. Check that the signal-cable is properly connected, if the connector is loose, tighten the connector's screws.
  2. Check the signal-cable's connection pins for damage.
  
- **INPUT NOT SUPPORT :**

Your computer has been set to unsuitable display mode, set the computer to display mode given in the following table.

### **FACTORY PRESET TIMING TABLE:**

MODE	RESOLUTION	HORIZONTAL FREQUENCY (KHz)	VERTICAL FREQUENCY (Hz)
1	640×400 @70Hz	31.469	70.087
2	640×480 @60Hz	31.469	59.940
3	640×480 @70Hz	36.052	70.004
4	640×480 @67Hz	35.000	66.667
5	640×480 @72Hz	37.861	72.809
6	640×480 @75Hz	37.500	75.000
7	720×400 @70Hz	31.469	70.087
8	800×600 @56Hz	35.156	56.250
9	800×600 @60Hz	37.879	60.317
10	800×600 @72Hz	48.077	72.188
11	800×600 @75Hz	46.875	75.000
12	832×624 @75Hz	49.725	75.000
13	1024×768 @60Hz	48.363	60.004
14	1024×768 @70Hz	56.476	70.069
15	1024×768 @75Hz	60.023	75.029
16	1152×870 @75Hz	68.681	75.062
17	1152×864 @75Hz	67.500	75.000
18	1280×720 @60Hz	45.000	60.000
19	1280×960 @60Hz	60.000	60.000
20	1280×960 @75Hz	74.592	74.443
21	1280×768 @60Hz	47.776	59.870
22	1280×768 @75Hz	60.289	74.893
23	1280×1024 @60Hz	63.981	60.020
24	1280×1024 @75Hz	79.976	75.025
25	1360×768 @60Hz	47.712	60.015
26	1366×768 @60Hz	47.852	59.964
27	1440×900 @60Hz	55.469	59.901

---

28	1440×900 @75Hz	70.635	74.984
29	1400×1050 @60Hz	64.744	59.948
30	1600×900 @60Hz	55.540	59.978
31	1680×1050 @60Hz	65.290	59.954
32	1920×1080 @60Hz	67.500	60.000

**(Video mode)**

<b>MODE</b>	<b>RESOLUTION</b>
1	640×480p @60Hz
2	720×480i @60Hz
3	720×480p @60Hz
4	720×576i @50Hz
5	720×576p @50Hz
6	1280×720p @60Hz
7	1920×1080i @50Hz
8	1920×1080i @60Hz
9	1920×1080p @50Hz
10	1920×1080p @60Hz

\*\* We ensure that the monitor can be lighted under interlace signal mode, but we can not guarantee the image quality.

## APPENDIX

### SPECIFICATIONS

LCD Panel	Driving system	TFT Color LCD
	Size	100,33cm / 39.5" Diagonal
	Pixel pitch	0,45735mm(H) × 0,4494mm(V)
Video	H-Frequency	30KHz – 83KHz
	V-Frequency	56Hz – 75Hz
Display Colors		16.7M Colors
Max. Resolution		1920 × 1080 @60Hz
Plug & Play		VESA DDC2B™
Power consumption	ON Mode	29W (Typical)
	Power Saving Mode	≤ 0.5W
	OFF Mode	≤ 0.3W
Audio output		Rated Power 8.0 W*2 rms (Per channel)
Input Terminal		VGA HDMI USB AUDIO IN
Maximum Screen Size		Hor. : 878.112mm Ver. : 485.352mm
Power Source		AC 100–240V 1.5A 50–60Hz
Environmental Considerations		Operating Temp: 5° to 35°C Storage Temp.: -20° to 60°C Operating Humidity: 10% to 85%
Dimensions		906.88 (W)×206.8(H)×567.66(D) mm 35.7 "(W)×8.1"(H)×22.3 "(D)
Weight (NW)		4.0 kg (8.8 lb)

\*\*\* The above specification is subject to actual product specification and is subject to change without prior notice.

#### NOTES:

The Maximum Resolution will depends on the display card supporting. Related issue can refer to <http://www.hannspree.eu/en/monitors>. FAQ section.