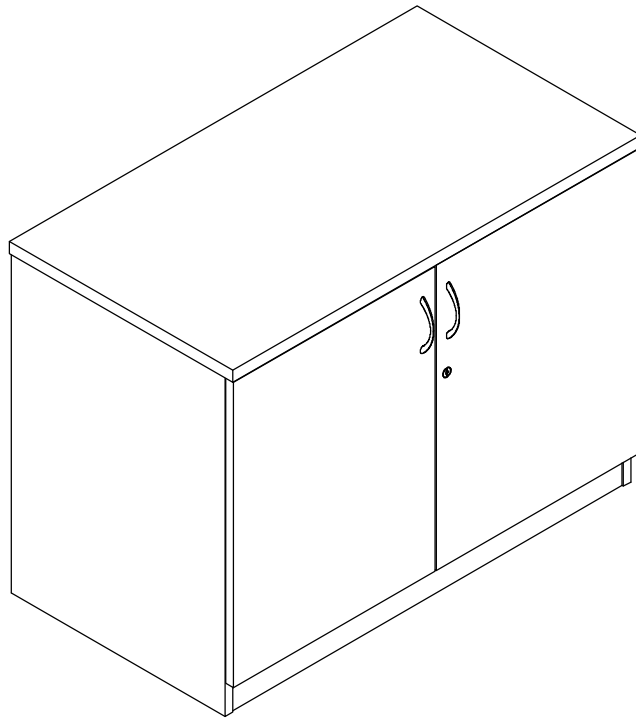
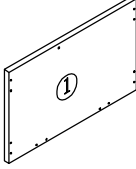
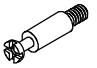

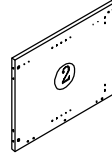


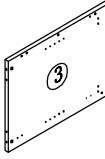
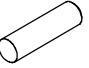
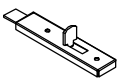
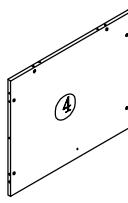

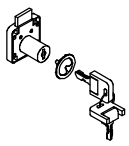
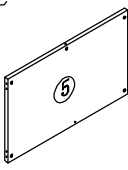
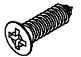
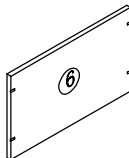

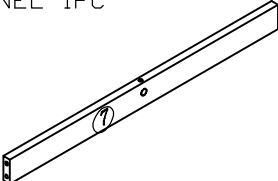
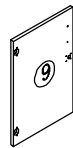
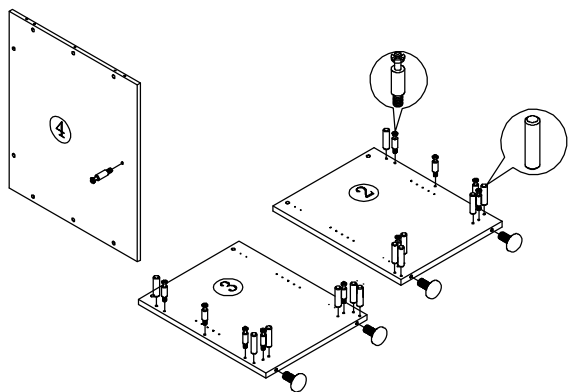


Desk high cupboard (with doors)  
MODEL: CB047WH/BK

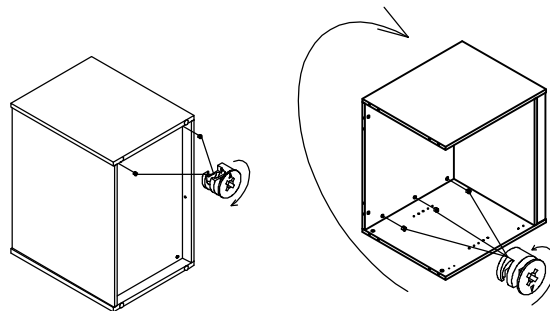


MAIN COMPONENT		FITTING PACKAGE	
ITEM	NAME	ITEM	NAME
P1	TOP PANEL 1PC 	A1	CAM PIN 18PCS 
		A2	CAMLOCK 18PCS 
P2	LEFT SIDE PANEL 1PC 	A3	CAMLOCK CAP 10PCS 
			CAMLOCK CAP 8PCS 
P3	RIGHT SIDE PANEL 1PC 	A4	WOOD DOWEL 18PCS 
		A5	DOOR CATCH 1PC 
P4	BACK PANEL 1PC 	A6	M3.5*15 SCREW 6PCS 
		A7	LOCK 1PC 
P5	BOTTOM PANEL 1PC 		A8
		HINGE SCREW 16 PCS 	
P6	SHELF 1PCS 	A9	SHELF SUPPORT 4PCS 
			A10
P7	SKIRT PANEL 1PC 	A11	
			P8
P9	RIGHT DOOR 1PC 		

1, Install Left/Right Side Panels And Bottom Panel: insert wood dowels, screw in cam pins and adjustable feet.



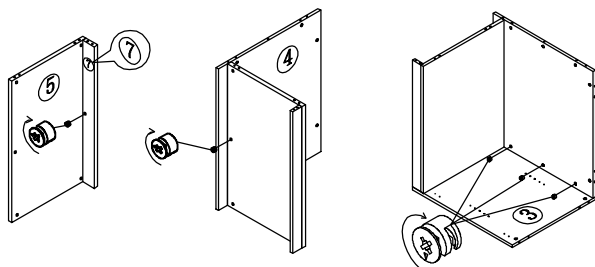
7, Insert camlocks in Back/Bottom Panel and lock them.



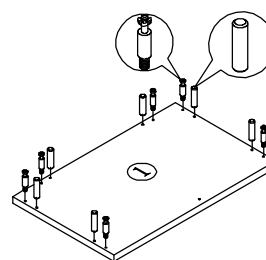
2, Install Skrit Panel onto Bottom Side Panel.

3, Install Back Panel onto Right Side Panel.

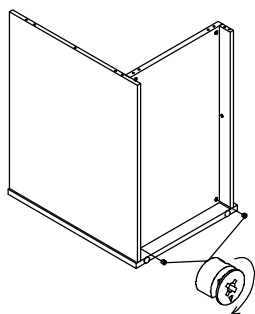
4, Install Bottom Panel onto Right Side Panel.



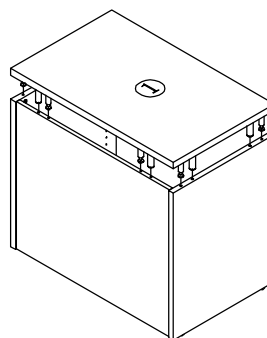
8, Install Top Panel: insert wood dowels, screw in cam pins



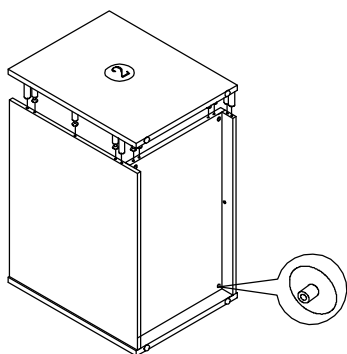
5, Insert camlocks in Bottom Panel and lock them.



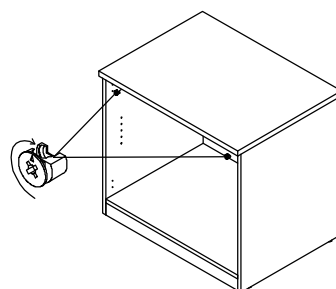
9, Install Top Panel on.



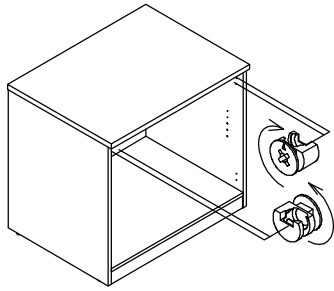
6, Install Left Side Panel on.



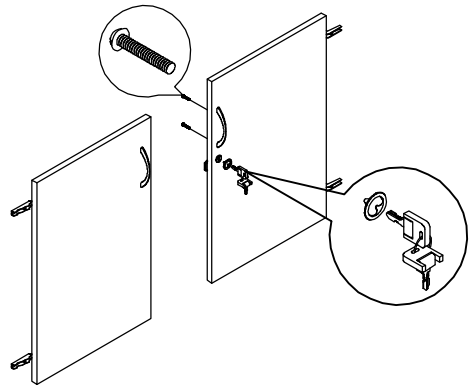
10, Insert camlocks in Back Panel and lock them.



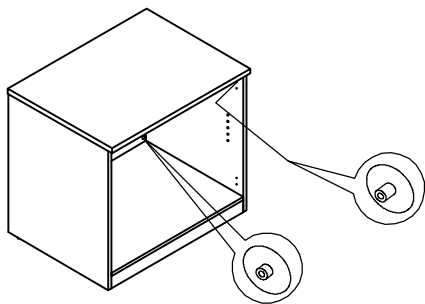
11, Lock camlocks in Side Panels clockwise.



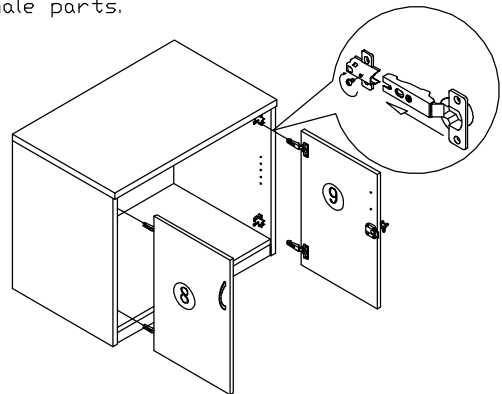
15, Add in lock decorative ring, install handles onto doors.



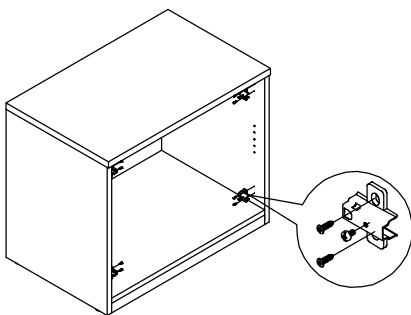
12, Add caps into All panels.



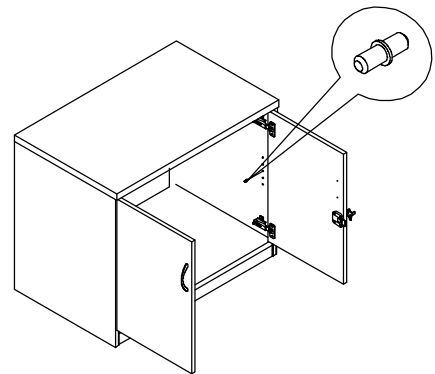
16, Install doors onto cabinet by sliding door hinge male parts into its female parts and fasten the screws in female parts.



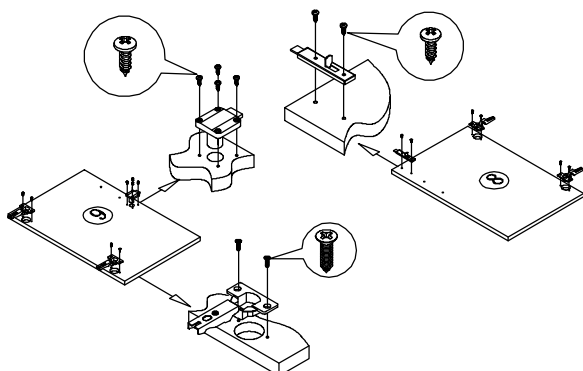
13, Install Door Hinge female parts onto side panels.



17, Insert Shelf Supports in side panels.



14, Install Lock in Right Door, Door Catch in Left Door and Door Hinge male parts in Right/Left Doors.



18, Add in Shelf and it's ready.

