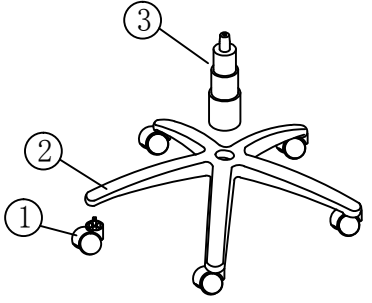
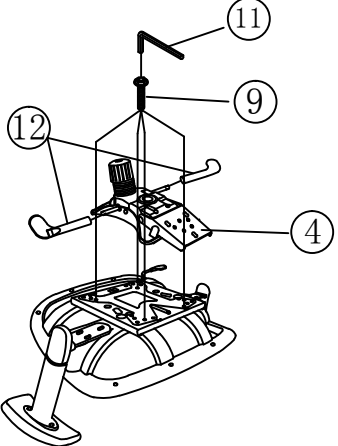
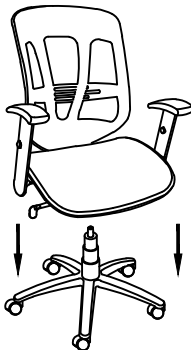
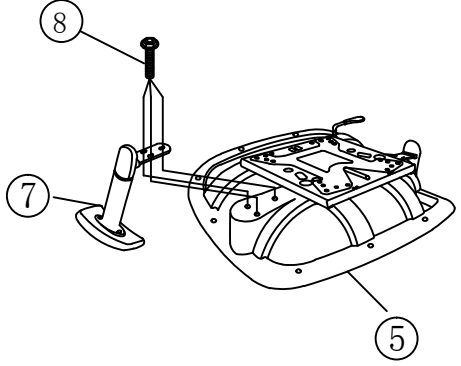
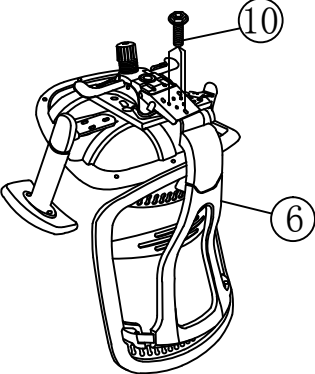















# MIRAGE II ASSEMBLY INSTRUCTION

<p>1</p> 	<p>3</p> 	<p>5</p> 									
<p>2</p> 	<p>4</p> 	<p>6</p> 									
<p>① CASTOR</p>	<p>② 5-STAR BASE</p>	<p>③ GAS LIFT</p>	<p>④ MECHANISM</p>	<p>⑤ SEAT CUSHION</p>	<p>⑥ BACK CUSHION</p>	<p>⑦ ARMREST</p>	<p>⑧ SCREW M6*25</p>	<p>⑨ SCREW M6*12</p>	<p>⑩ SCREW M8*20</p>	<p>⑪ ALLEN KEY</p>	<p>⑫ HANDGRIP</p>
											
<p>5 PCS</p>	<p>1 PC</p>	<p>1 PC</p>	<p>1 PC</p>	<p>1 PC</p>	<p>1 PC</p>	<p>1 PAIR</p>	<p>6 PCS</p>	<p>4 PCS</p>	<p>3 PCS</p>	<p>1 PC</p>	<p>1 PAIR</p>

IMPORTANT NOTE - PLEASE ASSES ALL COMPONENTS PRIOR TO DISPOSAL OF PACKAGING AND ASSEMBLY OF CHAIR