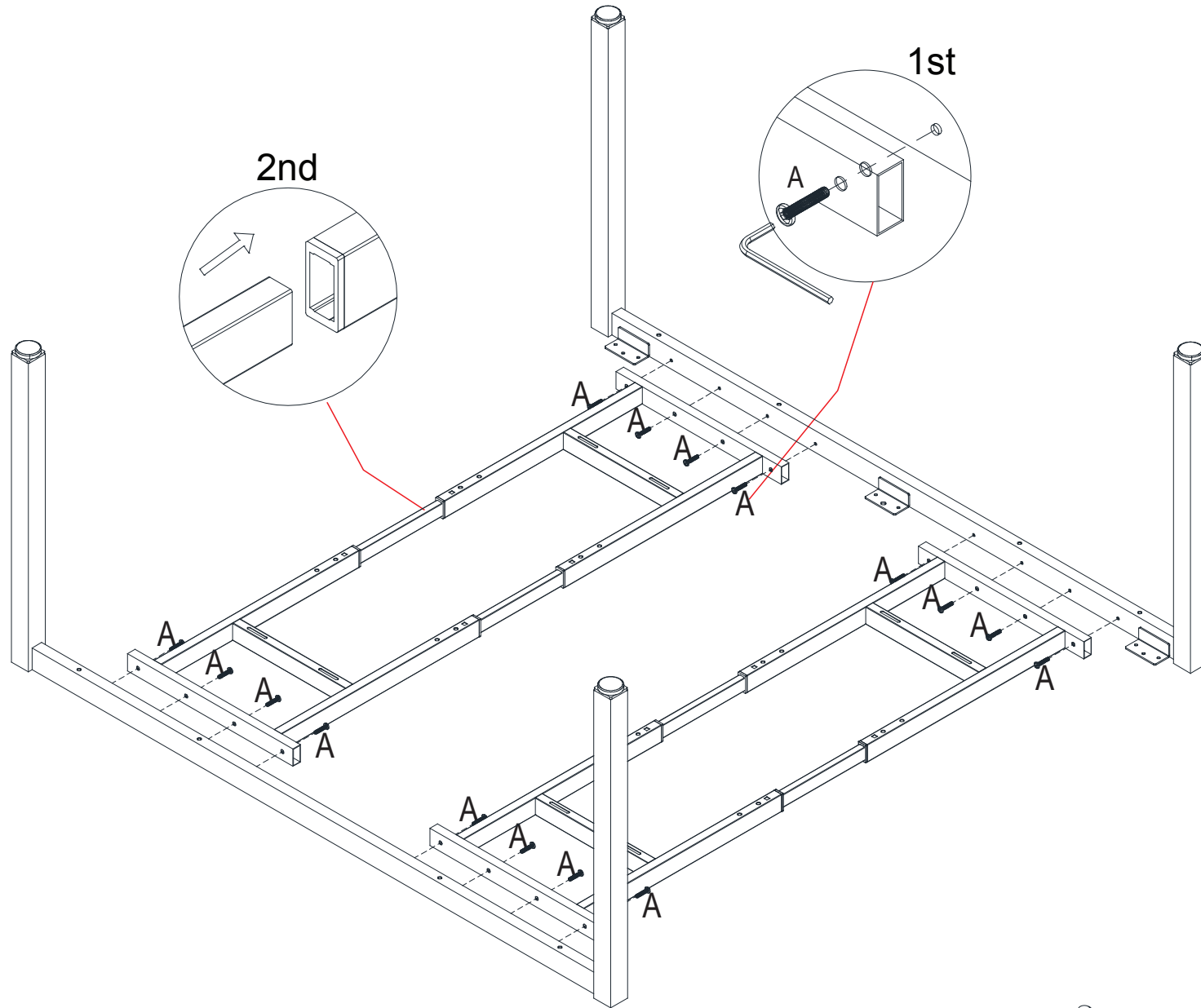


EVOLVE PLUS BACK TO BACK END LEG PACK SILVER/WHITE

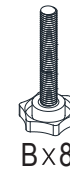
Assembly instruction



screwdriver not supplied



Ax16



Bx8



Cx16



Dx8



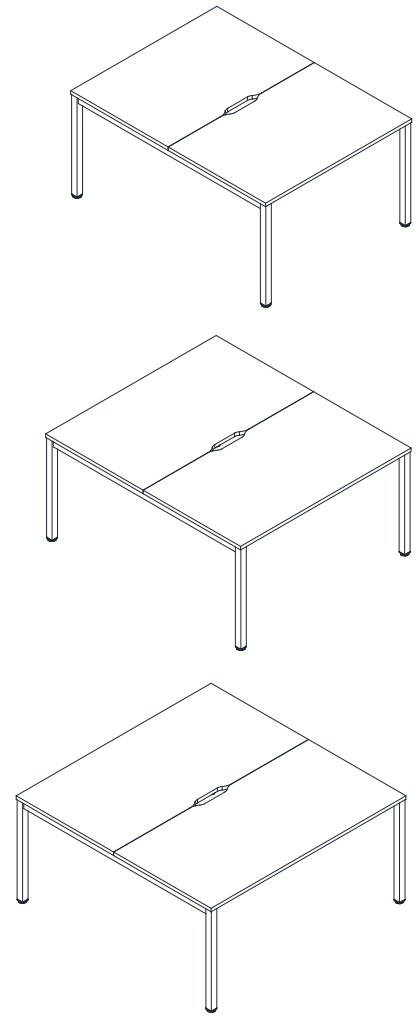
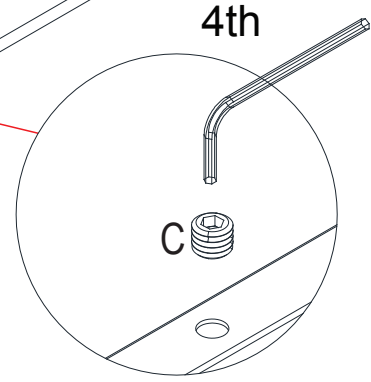
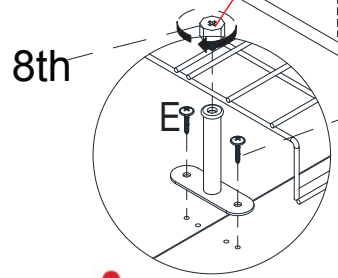
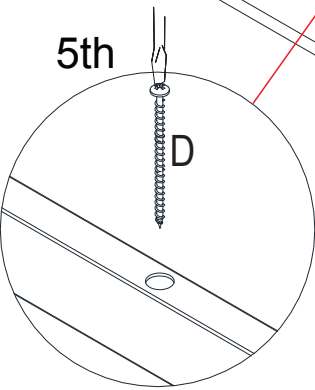
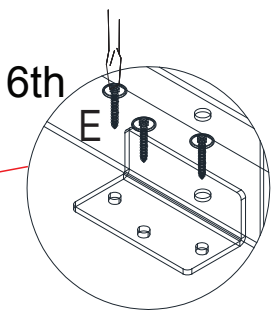
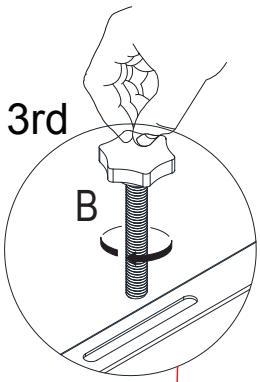
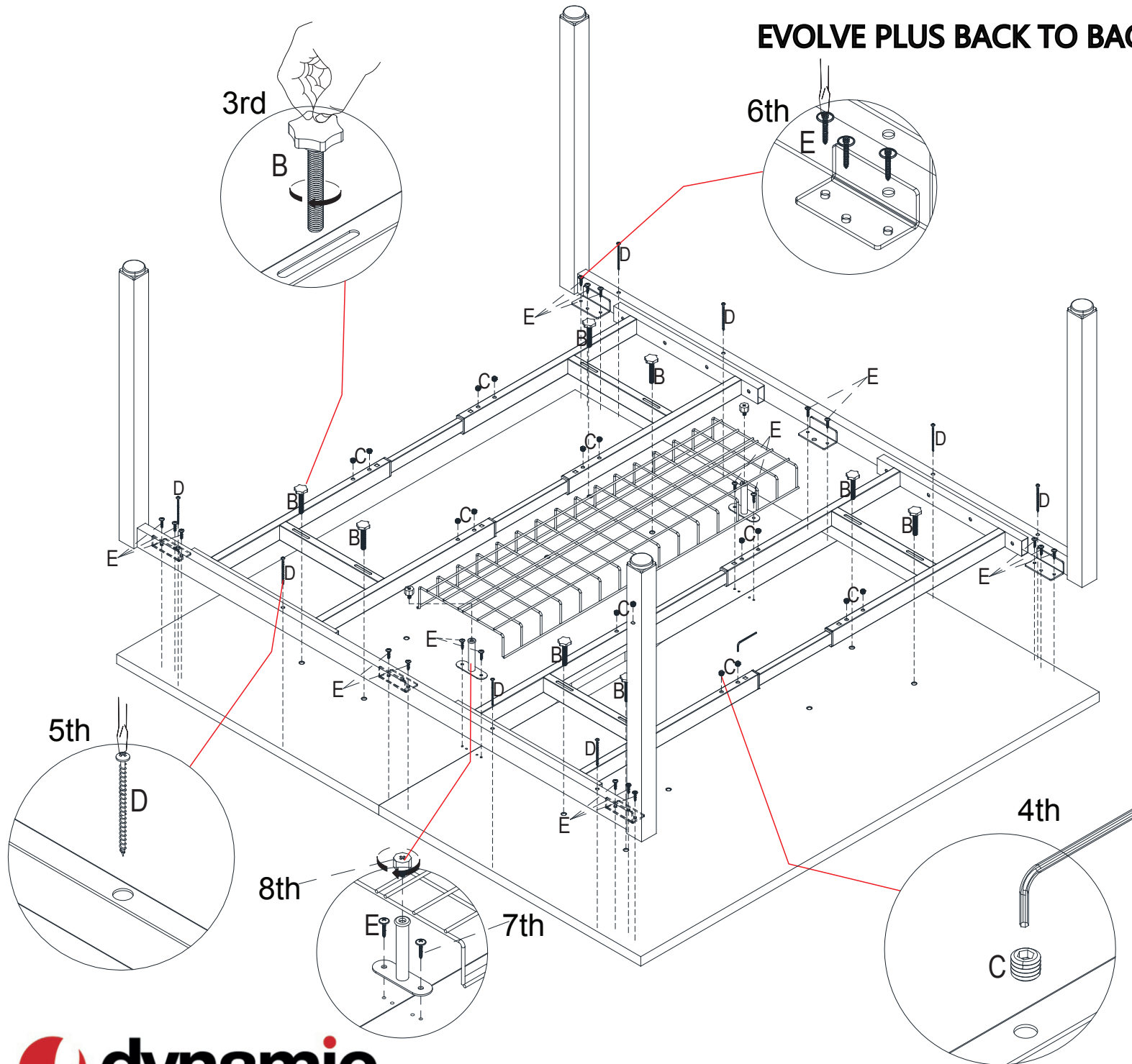
Ex20



Fx1

EVOLVE PLUS BACK TO BACK END LEG PACK SILVER/WHITE

Assembly instruction



EVOLVE PLUS BACK TO BACK END LEG PACK SILVER/WHITE

Assembly instruction

When assembling the screen and the wire groove, first use the adjusting handle to move the desktop to the appropriate position, then as shown in the picture, assemble the screen and wire groove, and finally assemble according to the assembly instructions on the previous page.

