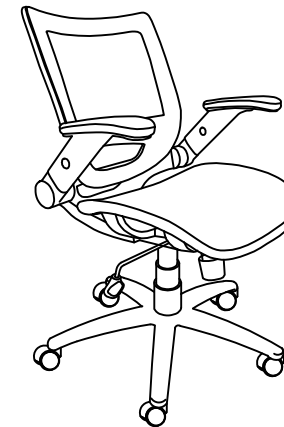
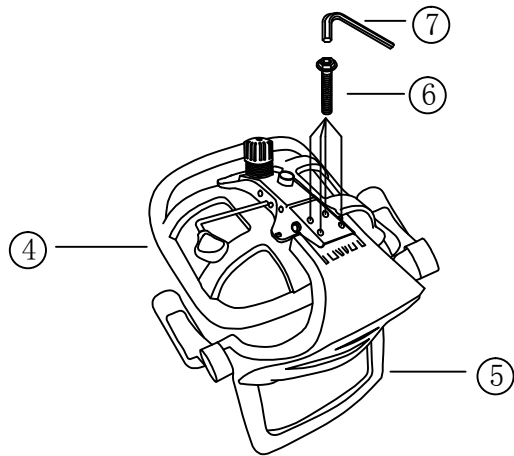
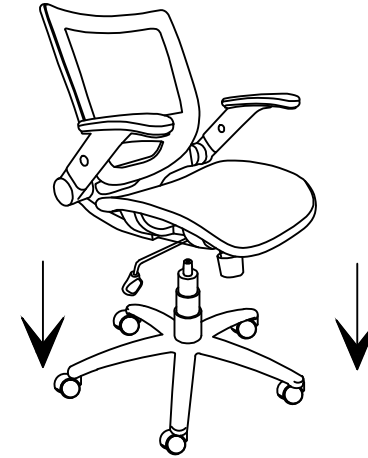
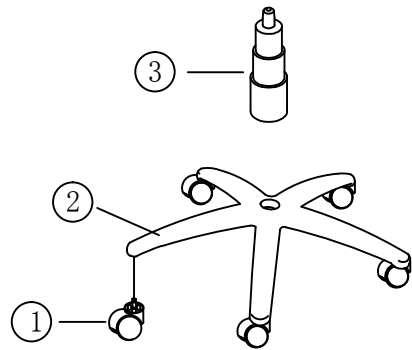



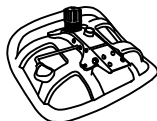
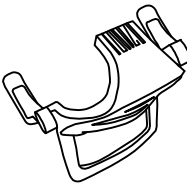
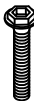



FULLER MESH WITH FOLDING ARMS ASSEMBLY INSTRUCTION



① CASTOR	② 5-STAR BASE	③ GAS LIFT	④ SEAT CUSHION	⑤ BACK CUSHION	⑥ SCREW	⑦ ALLEN KEY
					M8*45	
						
5 PCS	1 PC	1 PC	1 PC	1 PC	4 PCS	1 PC

IMPORTANT NOTE - PLEASE ASSES ALL COMPONENTS PRIOR TO DISPOSAL OF PACKAGING AND ASSEMBLY OF CHAIR