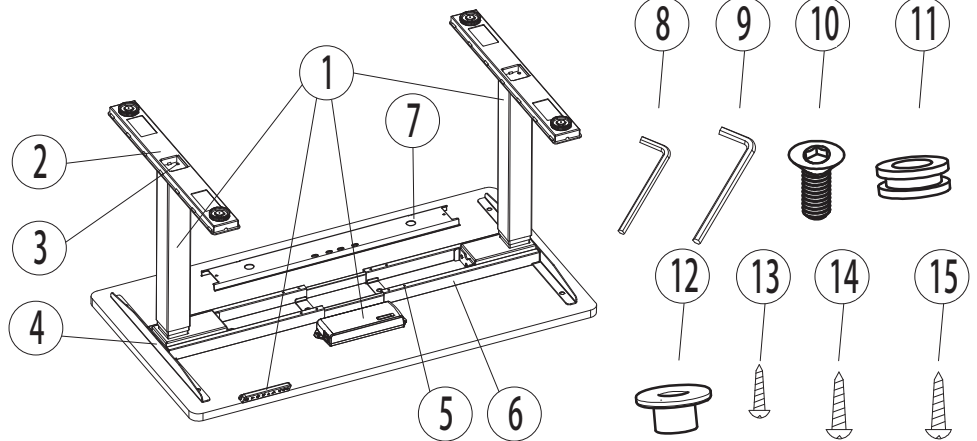


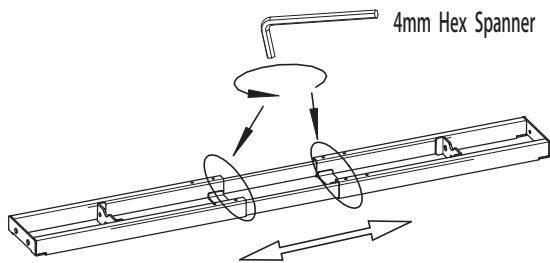
Assembly Instructions

Parts and Tools list

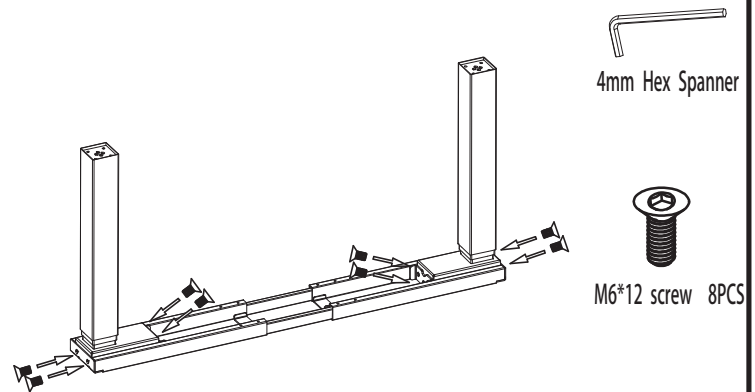
NO.	Name	Qty	NO.	Name	Qty
1	Lifting System	1set	11	Rubber Cushion	6
2	Foot	2	12	Plastic Pad	6
3	M8*16 Screw	8	13	ST3.5*19 Screw	2
4	Bracket	2	14	ST4.8*19 Screw	2
5	M6*10 Screw	8	15	ST4.8*25 Screw	6
6	Support Beam	1			
7	Cable Tray	1			
8	4mm Hex Spanner	1			
9	5mm Hex Spanner	1			
10	M6*12 Screw	12			



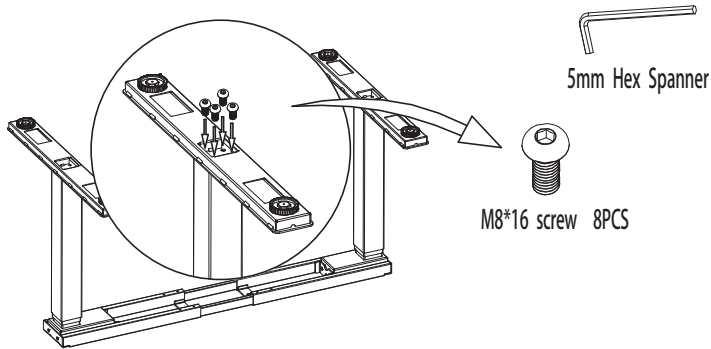
1 Loosen the M6*10 screw on the beam with 4mm hexagon wrench, then adjust the length of the beam according to the tops, and finally fix the beam with the M6*10 screw in the screw package and the screw on the beam.



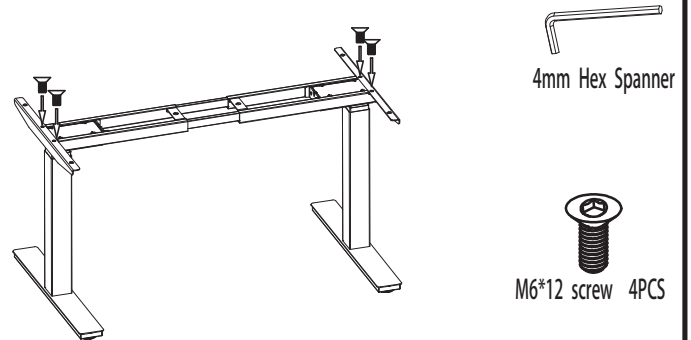
2 Attach legs to the beam using 8 of M6*12 screws.



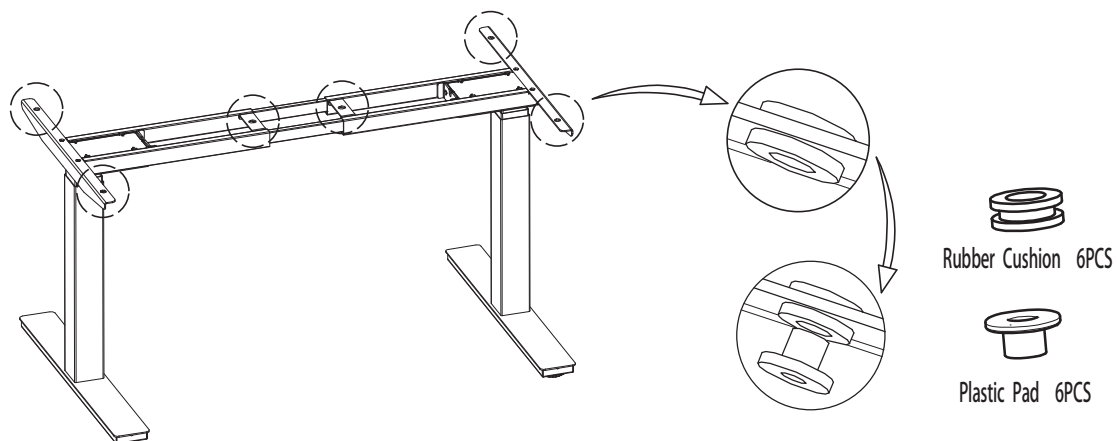
3 Attach feet to the legs using 8 of M8*16 screws.



4 Overturn frame and attach brackets to beam using 4 of M6*12 screws.

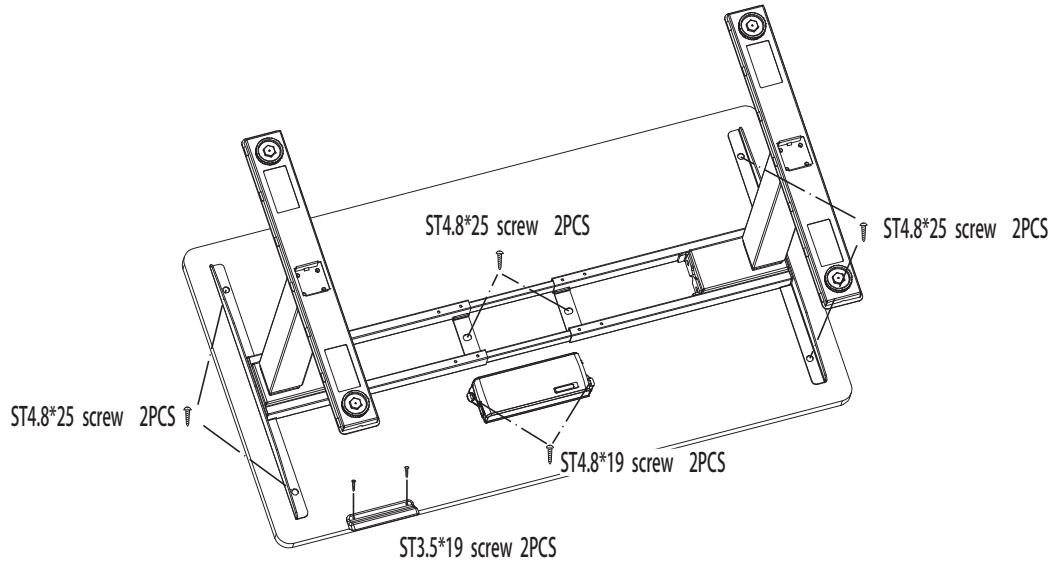


5 Fit the rubber cushions and plastic pad to the brackets and beam.

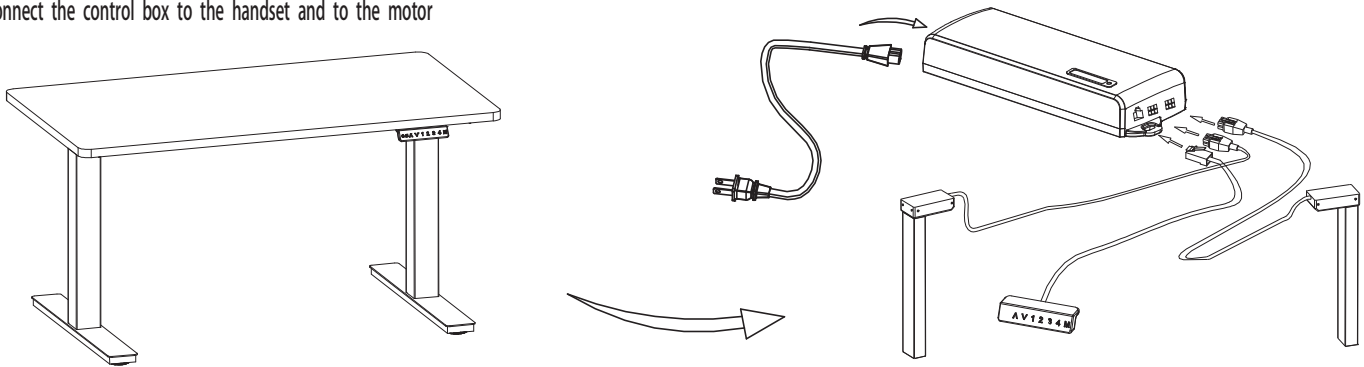


Assembly Instructions

- 6 Fix table top to frames with 6 of ST4.8*25 screws, then fix control boxes to below table top with 2 of ST4.8*19 screws, at last fix handsets to below table top with 2 of ST3.5*19 screws.



- 7 Connect the control box to the handset and to the motor



- 8 Attach the cable tray to the beam.

