

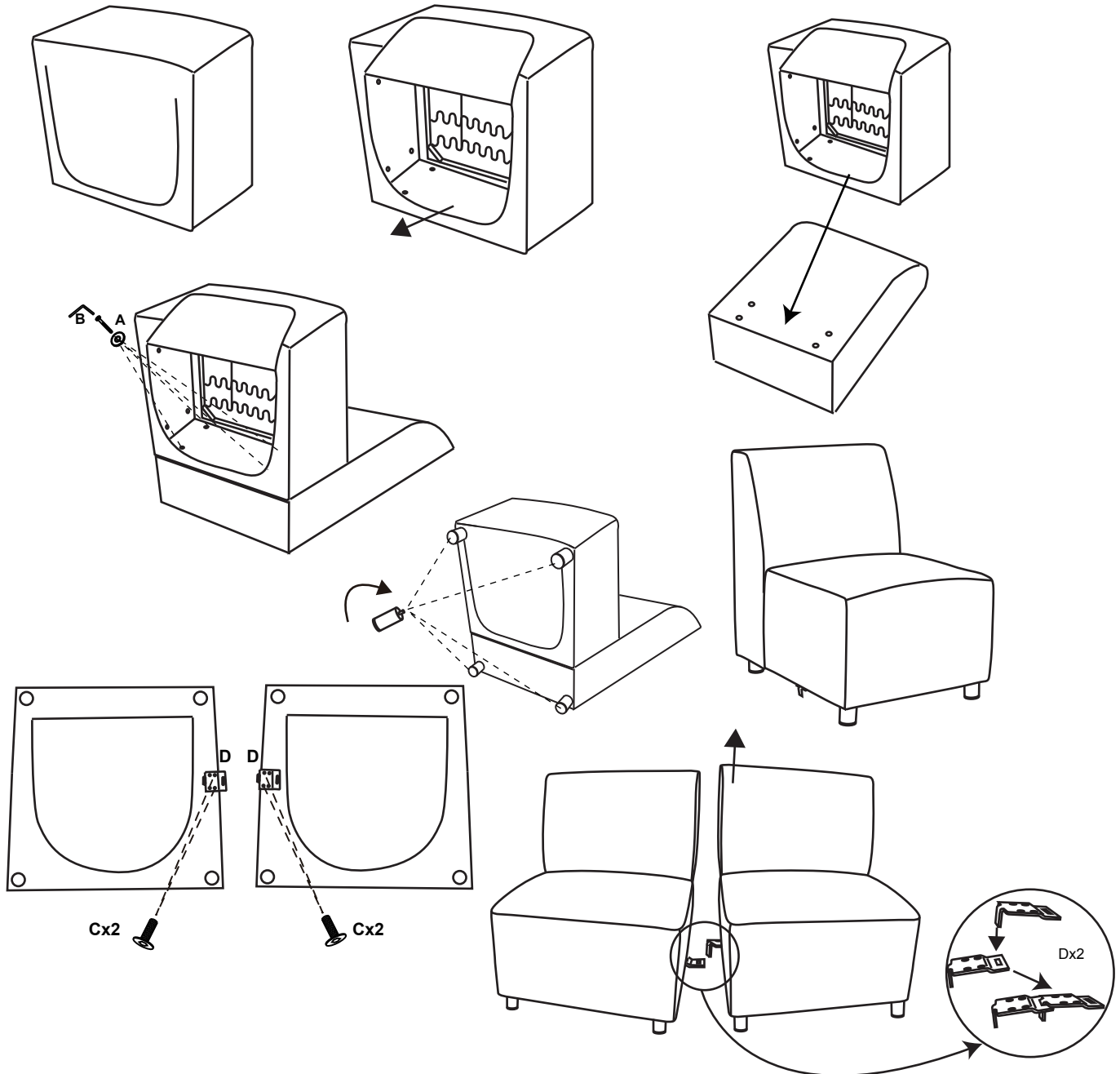
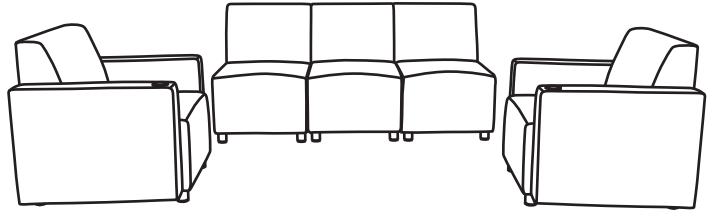
CUBE RECEPTION CHAIR MODULAR UNIT INSTRUCTION

6970 – Modular Base Unit

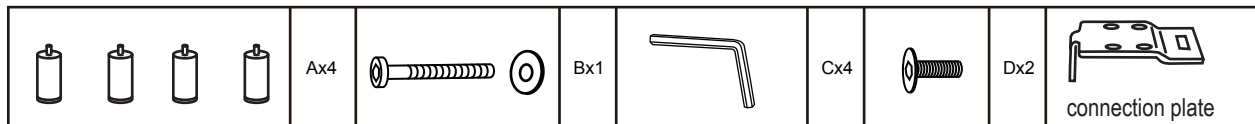
6971- Arm (Can be mounted left or right)

6972L- USB Arm (Left hand mounting only)

6972R- USB Arm (Right hand mounting only)



Hardware pack



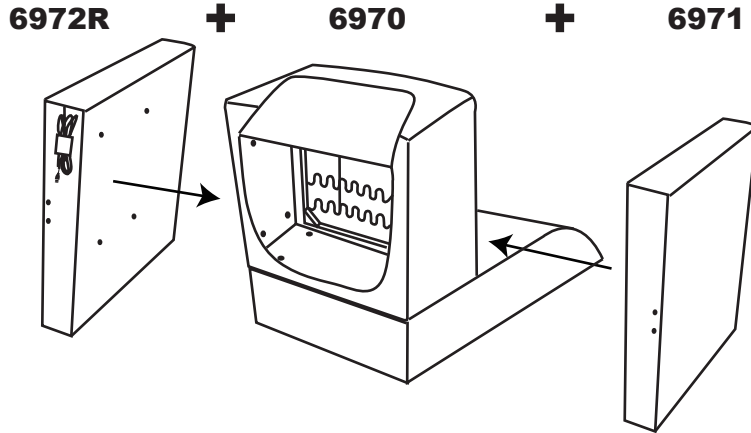
CUBE Reception Chair 6971/6972L/6972R mounting instruction

6970 – Modular Base Unit

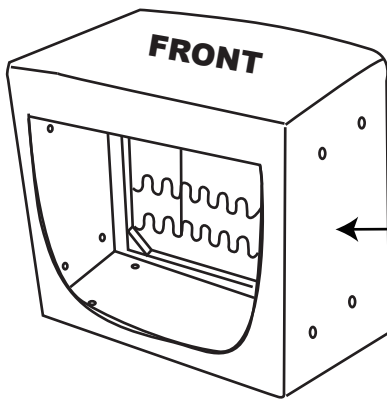
6971- Arm (Can be mounted left or right)

6972L- USB Arm (Left hand mounting only)

6972R- USB Arm (Right hand mounting only)



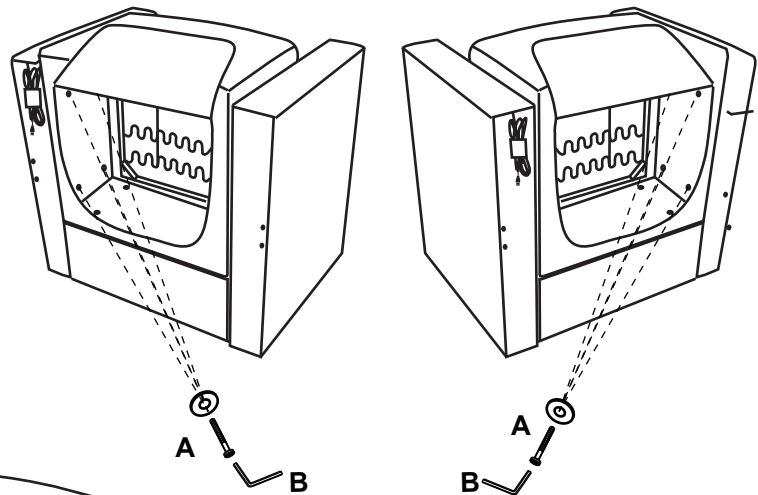
STEP 1:



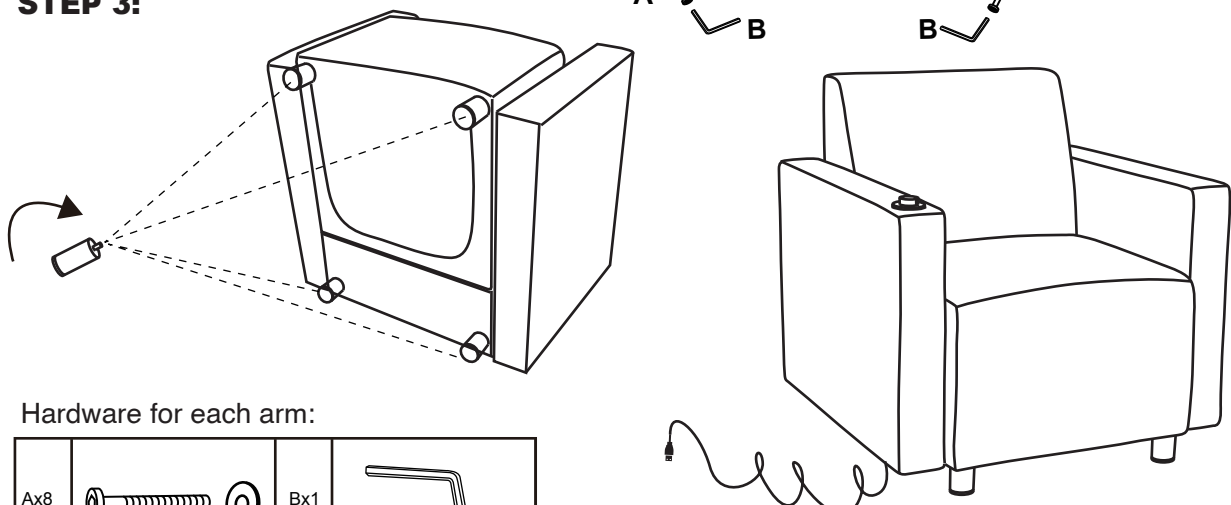
NB: Only carry this out on seats that are having arms fitted.

Carefully puncture the fabric with a pen or point of scissors – from the inside through the pre drilled holes – but mind your fingers!

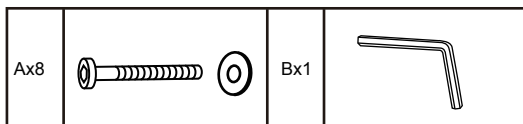
STEP 2:



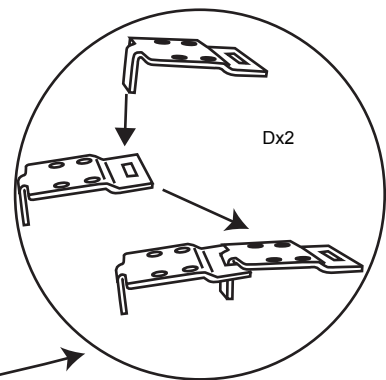
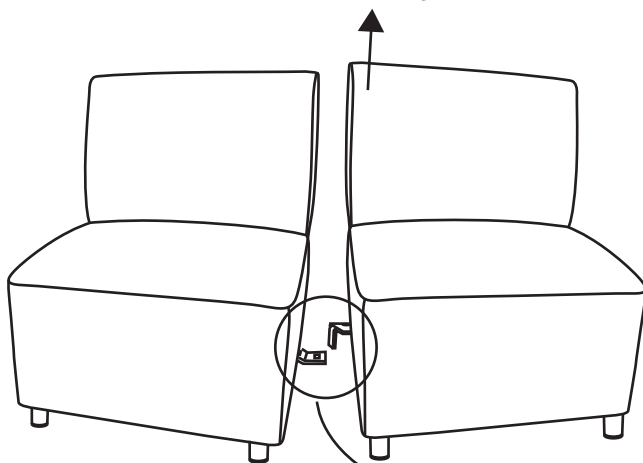
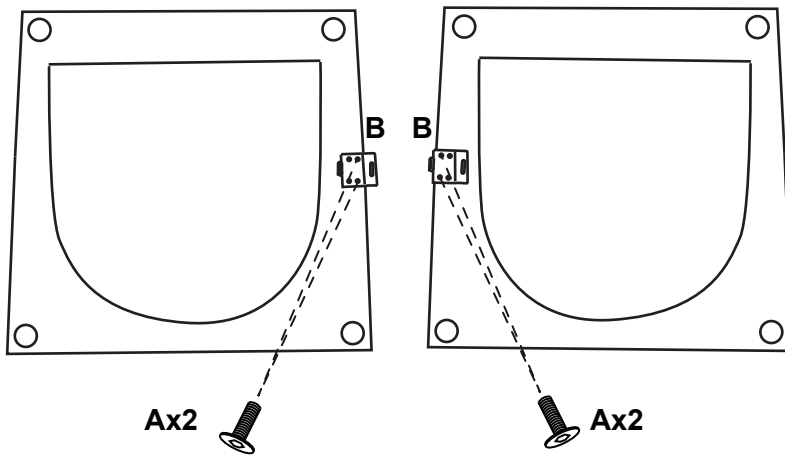
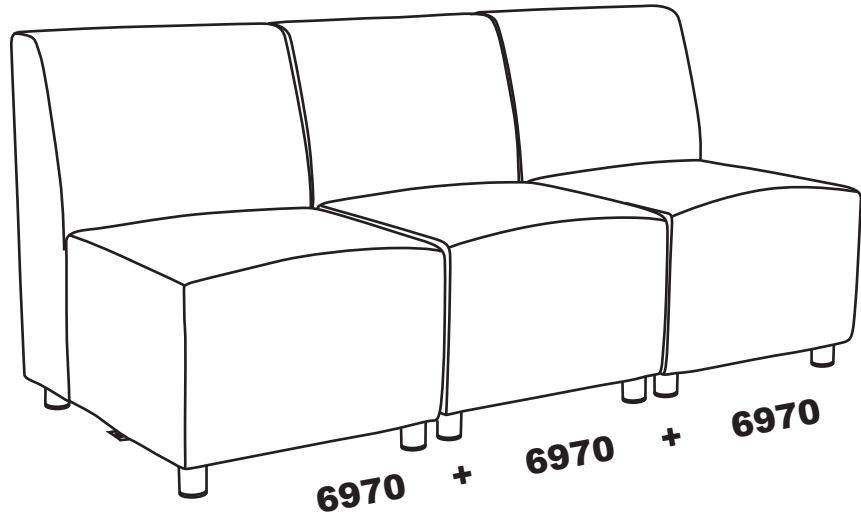
STEP 3:





Hardware for each arm:



Cube Reception Chair connection instruction



Ax4		Bx2	 connection plate
-----	---	-----	---