

Fellowes

Let your
productivity flow



REFLEX™

Single Monitor Arm

REFLEX™

Single Monitor Arm

Features:

- Experience greater freedom and space to thrive with our value monitor arm range
- Easily adjust monitor height and depth for a comfortable workspace that reduces your risk of eye, neck and back strain
- Independently tested to meet ergonomic requirements outlined in European Health and Safety Legislation: EN ISO 9241-5
- Free up valuable desk space using our easy to install clamp or grommet attachments
- Holds one screen up to 8kg and 32"
- Simple design with built-in cable management to keep you tangle free
- Made from 45% recycled and 97% recyclable materials



Specifications:

Code	8502501
Colour	Black: RAL 9017
Product Dimensions (H x W x D)	550 x 116 x 490mm
Product Weight	3.39kg
Retail Packaging Dimensions (H x W x D)	114 x 165 x 473mm
Retail Packaging Weight	3.84kg
Outer Carton Dimensions (H x W x D)	140 x 184 x 486mm
Outer Carton Weight	4.15kg
Pole Height	450mm
Height Adjustment Range	58 - 416mm
Reach Range	63.5 - 422mm
Rotation	360°
Pan	± 90° (180°)
Tilt	± 45° (90°)
Arm Swivel	180°
VESA	75 x 75 / 100 x 100
Clamp: Desk Thickness	10 - 88mm
Grommet: Desk Thickness	10 - 75mm
Grommet: Diameter	10.5 - 70mm
Weight Capacity	8kg
Maximum Monitor Size	32" (81.28cm) diagonally / 832mm (H)
Outer Carton Barcode (SCS)	50043859748476
Quantity per Outer Carton	1
Country of Origin	China
Warranty	5 years limited

REFLEX™ SINGLE MONITOR ARM

Environmental:

PRODUCT	Product Material Breakdown		Product Recycled Content		
	Weight (g)	Weight (%)	Pre-Consumer Recycled Content (g)	Post Consumer Recycled Content (g)	Total Recycled Content (%)
Aluminium	254.71	8%	-	254.71	100%
Steel	3052.82	90%	-	1282.18	42%
Plastic	85.20	3%	-	-	-
Total	3392.73	100%	-	1536.89	45%

PACKAGING	Material Breakdown		Recycled Content		
	Weight (g)	Weight (%)	Pre-Consumer Recycled Content (g)	Post-Consumer Recycled Content (g)	Total Recycled content (%)
Paper / Card / Corrugated	736.64	97%	-	217.40	30%
LDPE (4) plastic bag	20.44	3%	-	-	-
Total	757.08	100.00%	-	217.40	29%

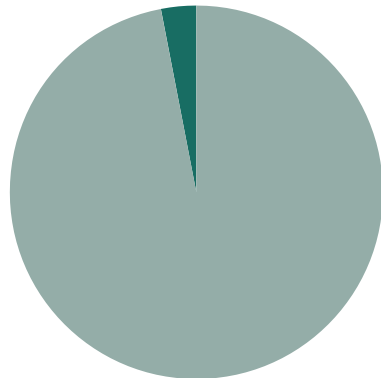
Pre-Consumer Recycled Content: Waste material that was created during the process of manufacturing or delivering goods prior to their delivery to consumers.

Post-Consumer Recycled Content: Waste material created by consumers. This material is diverted from landfills and utilized in the production of other commodities.

Recyclability:

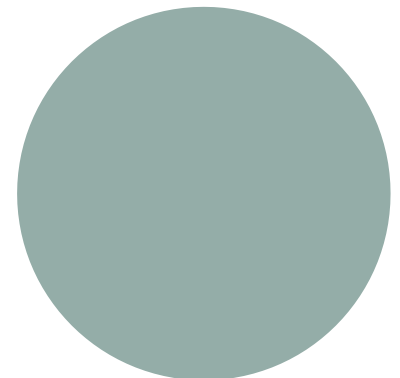
Product:

- Recyclable 97%
- Non Recyclable 3%



Packaging:

- Recyclable 100%



REFLEX™ SINGLE MONITOR ARM

Ergonomic Working:



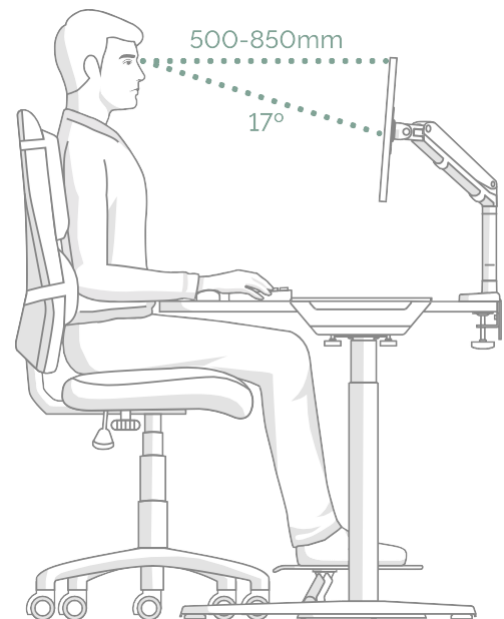
ZONE 3 RELIEVE NECK STRAIN

Achieve comfortable viewing.
Ensure your eyes are in line with
the top of your screen.

Fellows

How to use a monitor arm

- 1. Arms Reach:** Whether sitting or standing check that your monitor is positioned so you can touch the screen with your fingertips and that you can easily read what is on your screen without straining.
- 2. Eye level:** Adjust the monitor arm until the top of your monitor/s are roughly level with your eyes.
- 3. Tilt:** Tilting the screen slightly upwards can help achieve a more neutral posture and reduce glare.
- 4. Multiple screens:** If you're using more than one monitor make sure:
 - The tops of each screen are level and positioned side by side;
 - You sit in the middle or in front of your main screen to reduce twisting and turning.



Certifications:

- EN ISO 9241-5 1999 Ergonomic requirements for office work with visual display terminals (VDT's): part 5: 1999, workstation layout and postural requirements.
- ANSI / BIFMA x5.5 - 2014 Desk/Table Products. Clause 22, 23, 24.

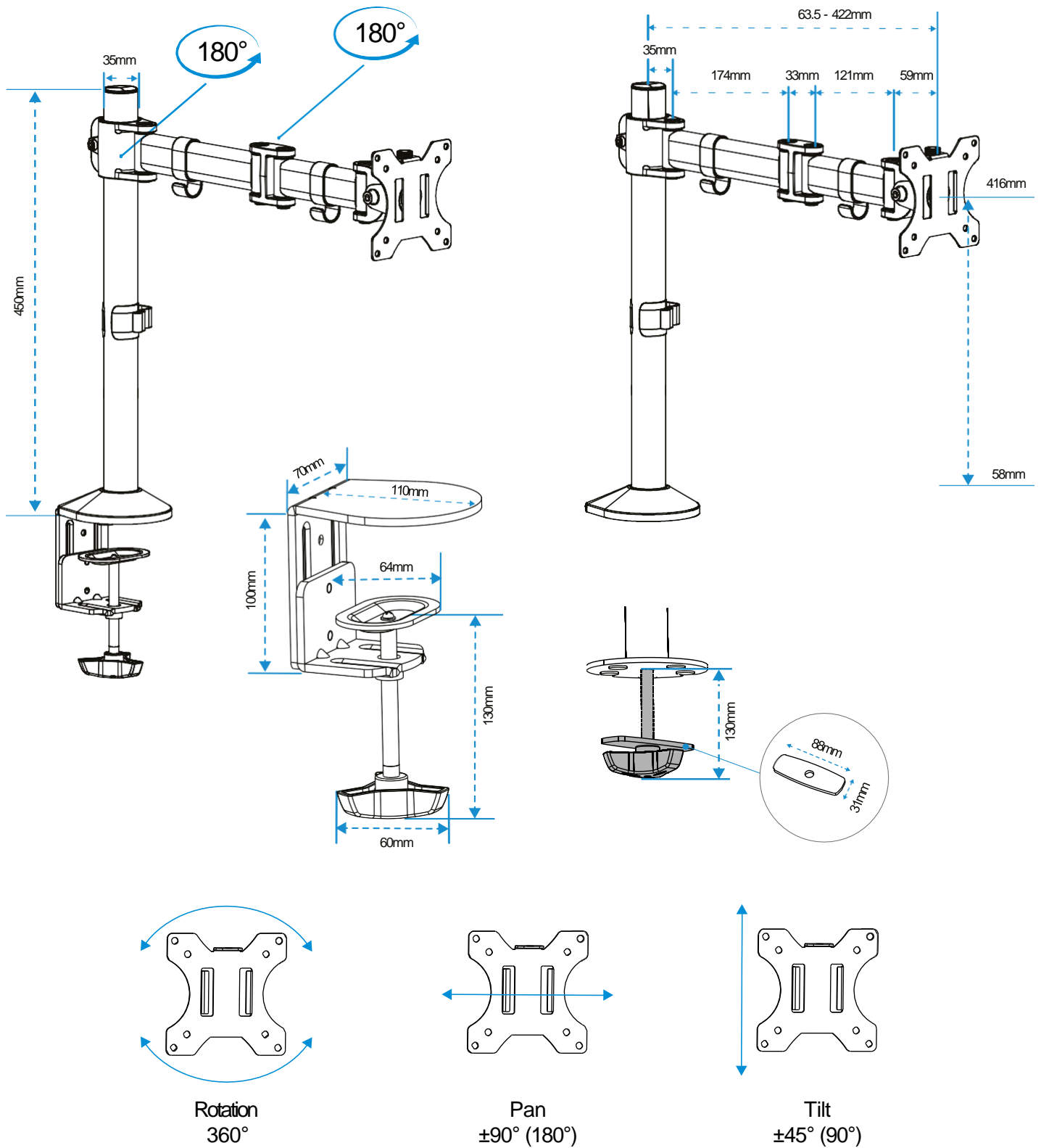


Aftercare:

- **Servicing:** Check joint parts regularly to make sure the screws have not loosened.
- **Cleaning:** Wipe over with a damp microfibre cloth. Do not use any cleaning solutions.
- **Handling & Storage:** Read and follow all instructions and warnings before use. This product is intended for indoor use only.

REFLEX™ SINGLE MONITOR ARM

Dimensional Drawings:



Every effort has been made to ensure that information provided in this document is up to date and accurate. However, Fellowes cannot guarantee and assumes no legal liability or responsibility for the accuracy or completeness of the information provide. In case of any query please contact us as www.Fellowes.com/locations.