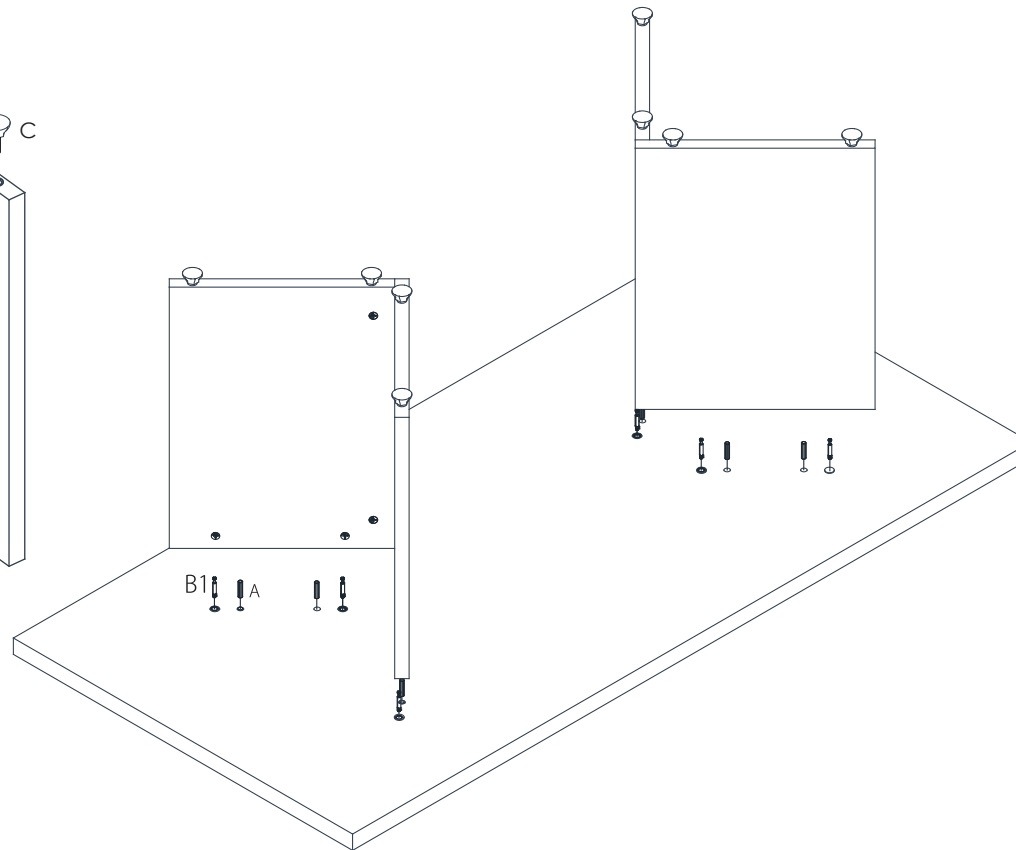
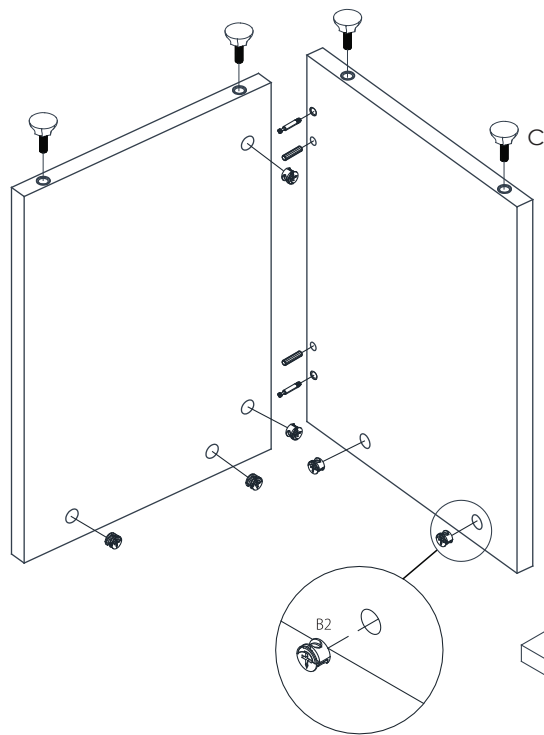
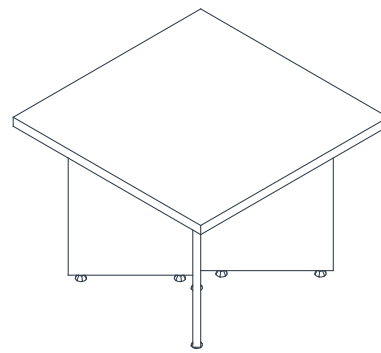
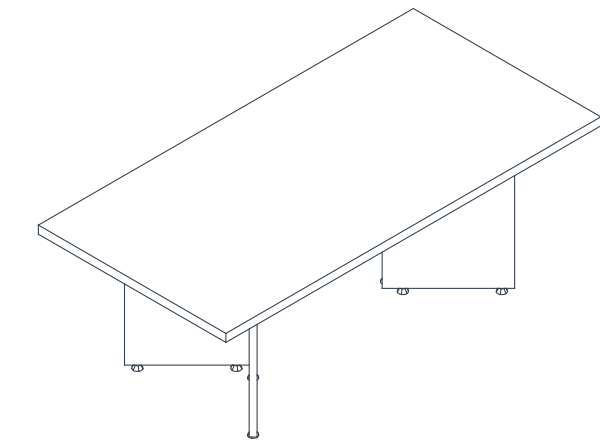
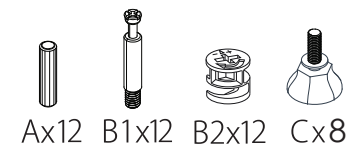


Coffee Table

Assembly instruction

- 1) Separate all parts and fittings.
- 2) Check all parts you have received are correct.
- 3) Place the desk top upside down. This will require two people.
- 4) Attach all wooden dowels (A) to the desk top.
- 5) Attach all screws (B1) to the desk top.
- 6) Attach the legs to the top. Use the wooden dowels (A) and screws (B1) as guides.
- 7) Insert the cam locks (B2) into their fixing positions on the inside of the leg. Turn the cam lock to secure the leg into place.
- 8) Screw the height adjusting feet (C) into the Legs. Do not tighten too much as you may need to adjust the height when the desk is in position.
- 9) Go around all fittings a final time and ensure they are secure.
- 10) When turning the desk over it is important to remember that a two-person lift will mean you do not damage the assembly.

If your desk requires moving after assembly, please lift with 2 people to prevent any damage to the assembly.



NOTE: Ensure arrow is facing direction of the screw head before tightening