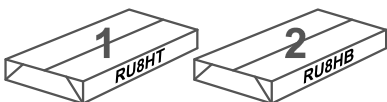
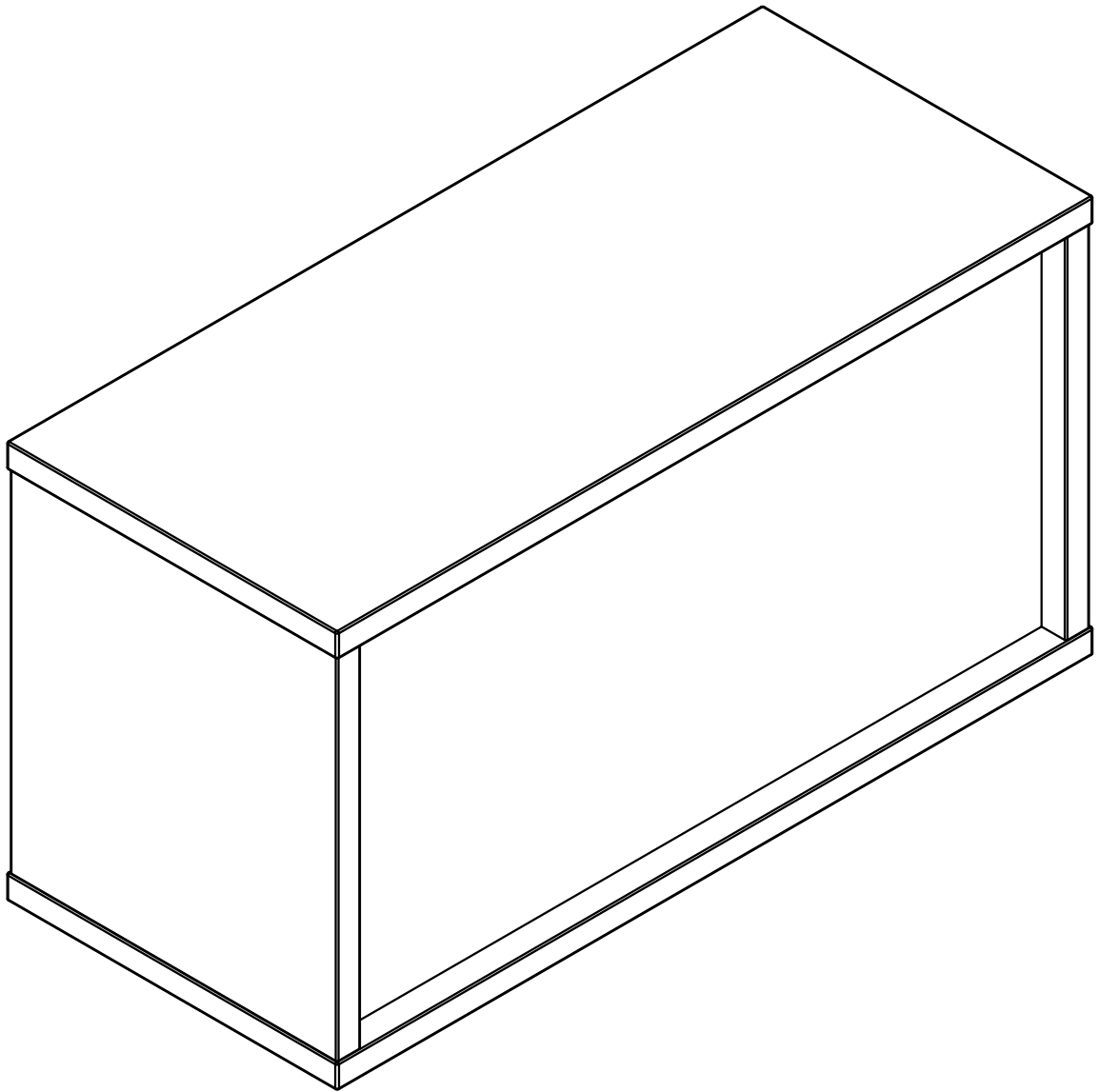
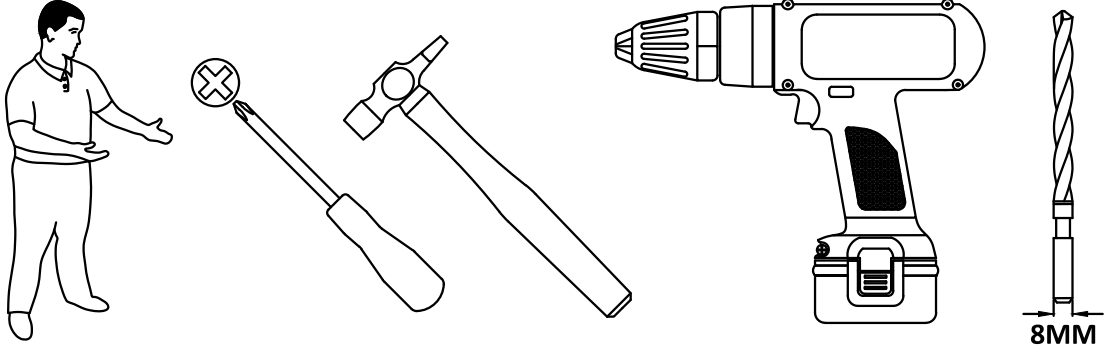


RU8HT

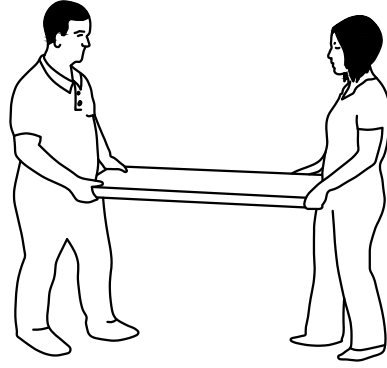
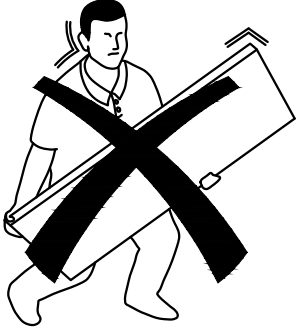
800mm Straight Reception Hutch



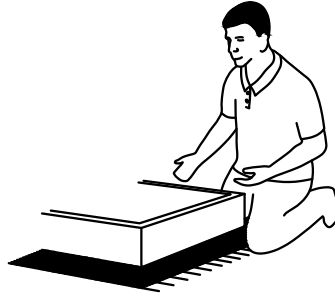
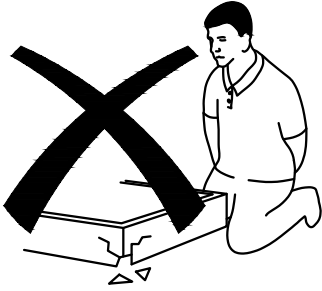
**TOOLS REQUIRED
FOR ASSEMBLY**



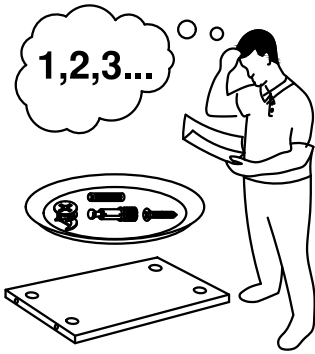
**DONT STRUGGLE
2 MAN LIFT**



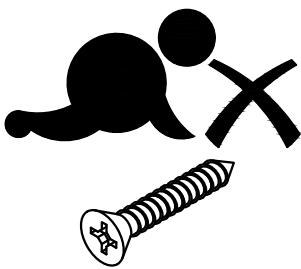
**ALWAYS HANDLE
ITEMS WITH CARE**



**IF UNSURE CALL
FOR ASSISTANCE**



**KEEP FITTINGS AWAY
FROM CHILDREN**

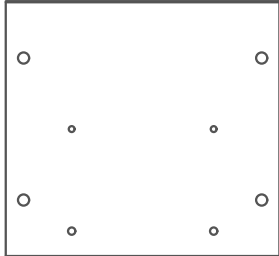




Please check that you have all the panels!




**SIDE PANEL
RM-LGP036
QTY 2**



Please check that you have all the fittings!




Minifix Cam
RM-CAM03




x14

24mm Quick Fix Dowel
RM-BLT06




x14

Wood dowel 30 x 5mm
RM-WOW01




x8

M6 x 11mm nylon insert
RM-PAR05




x4

M6 x 35mm Connect bolt
RM-BLT03




x4

M6 x 50mm Connect bolt
RM-BLT05



x4

8mm Hole Plug
RM-CAP04



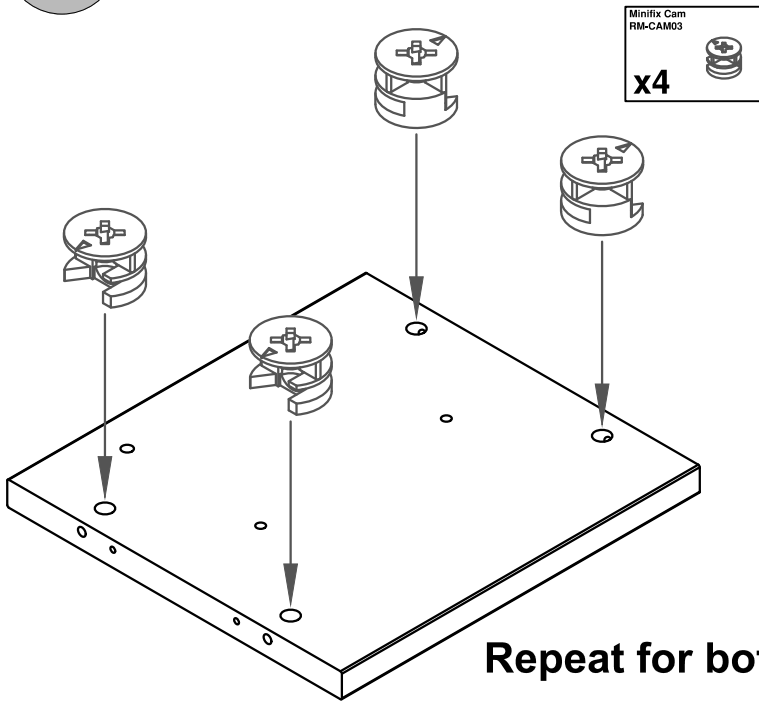
x4

M6 x 8 x 9 Sleeve Nut
RM-NUT10

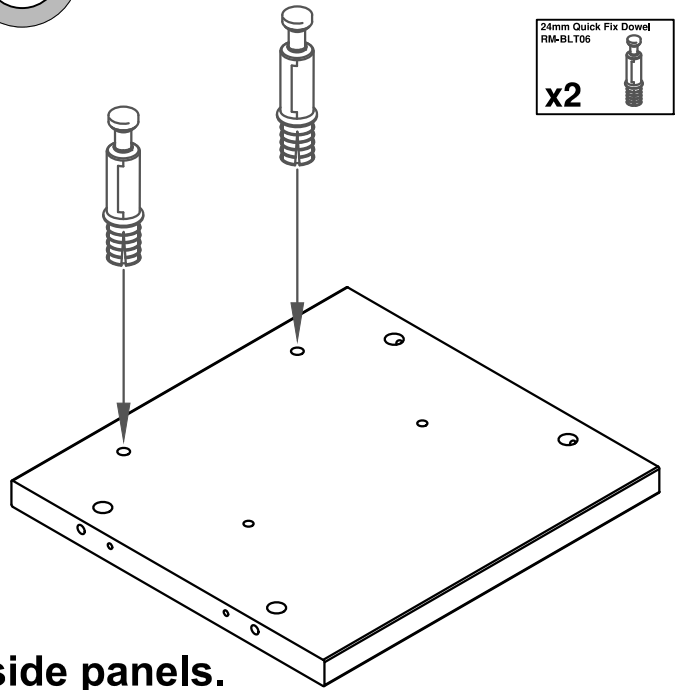


x4

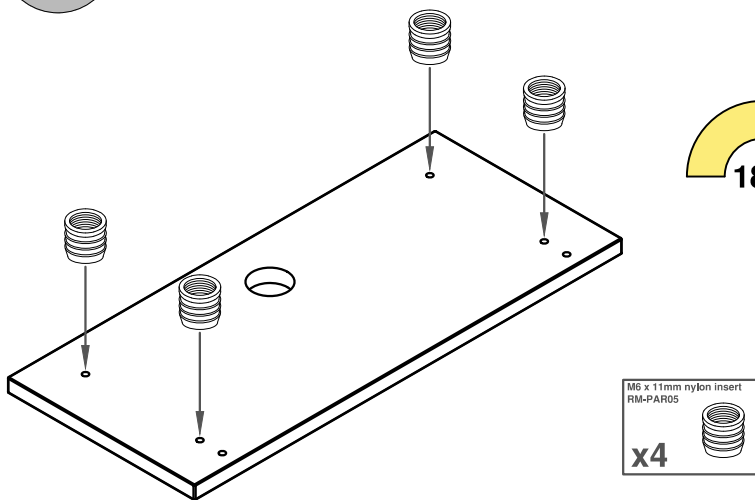
1



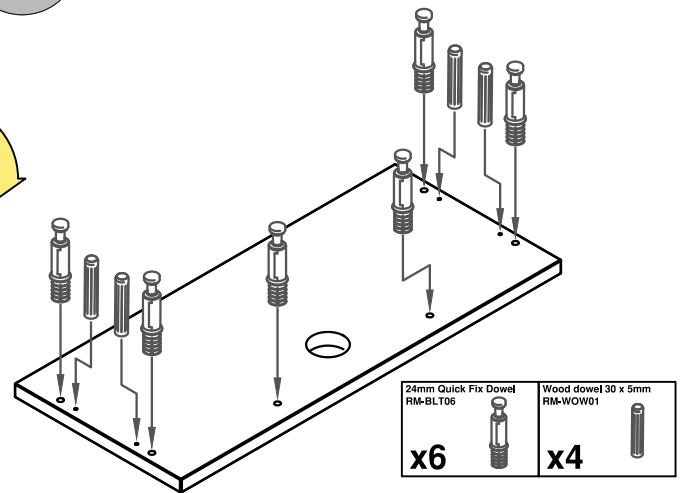
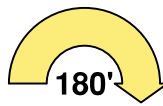
2



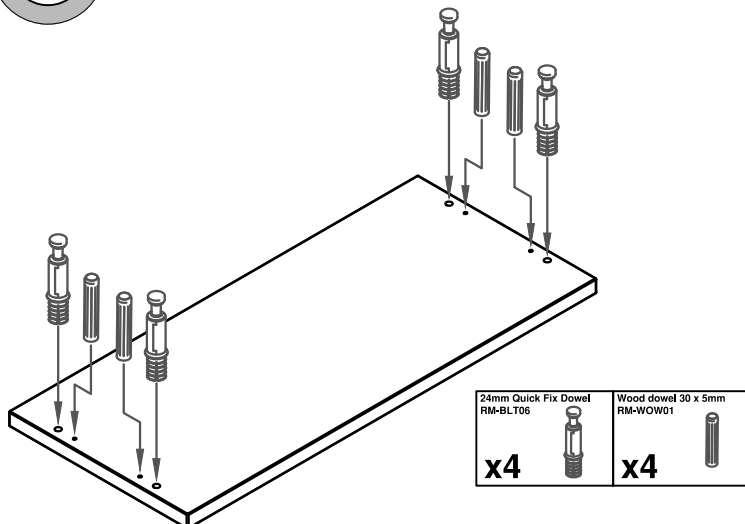
3



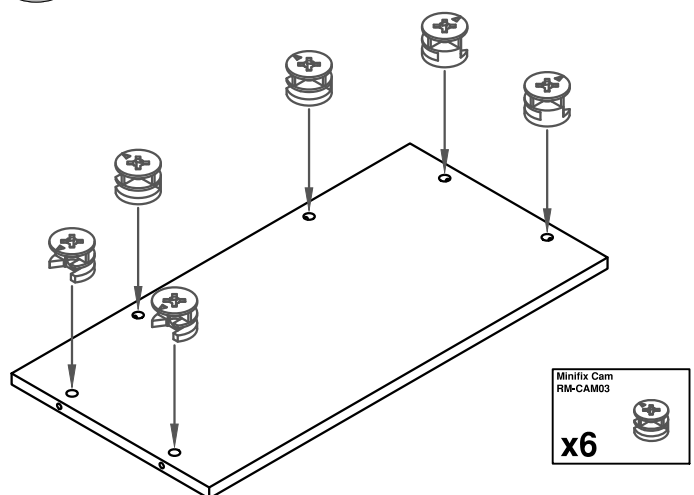
4



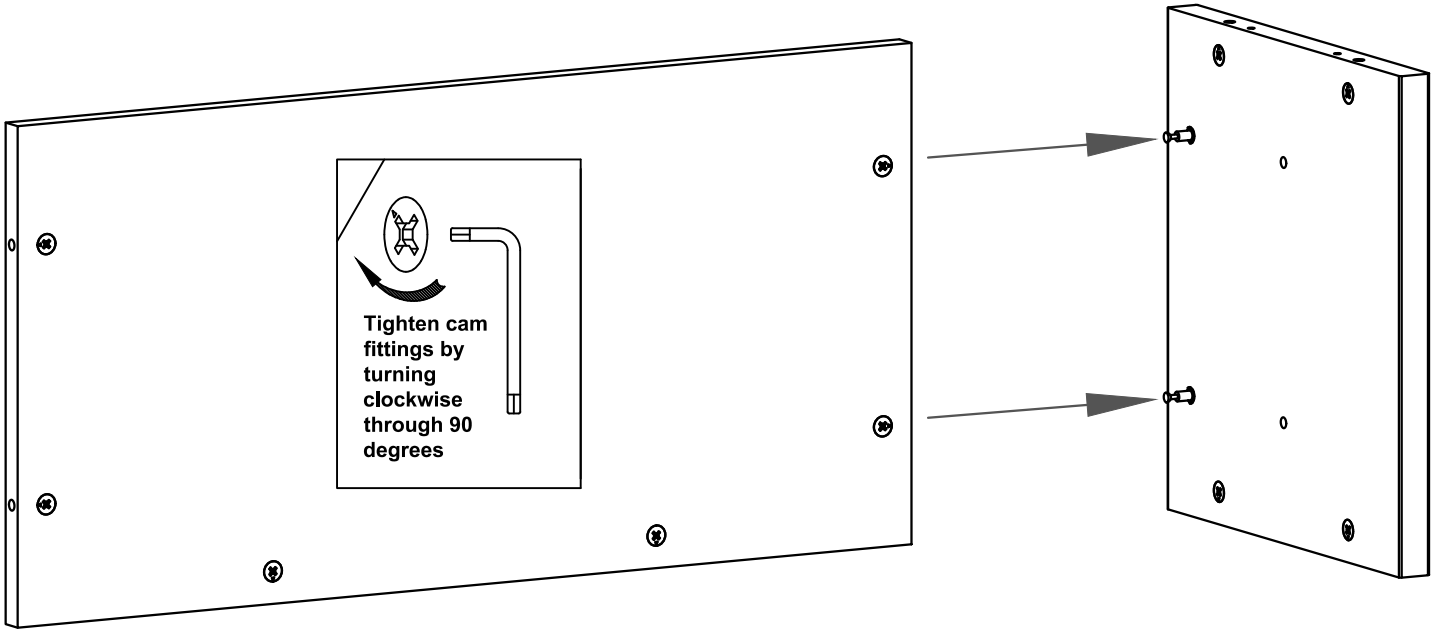
5



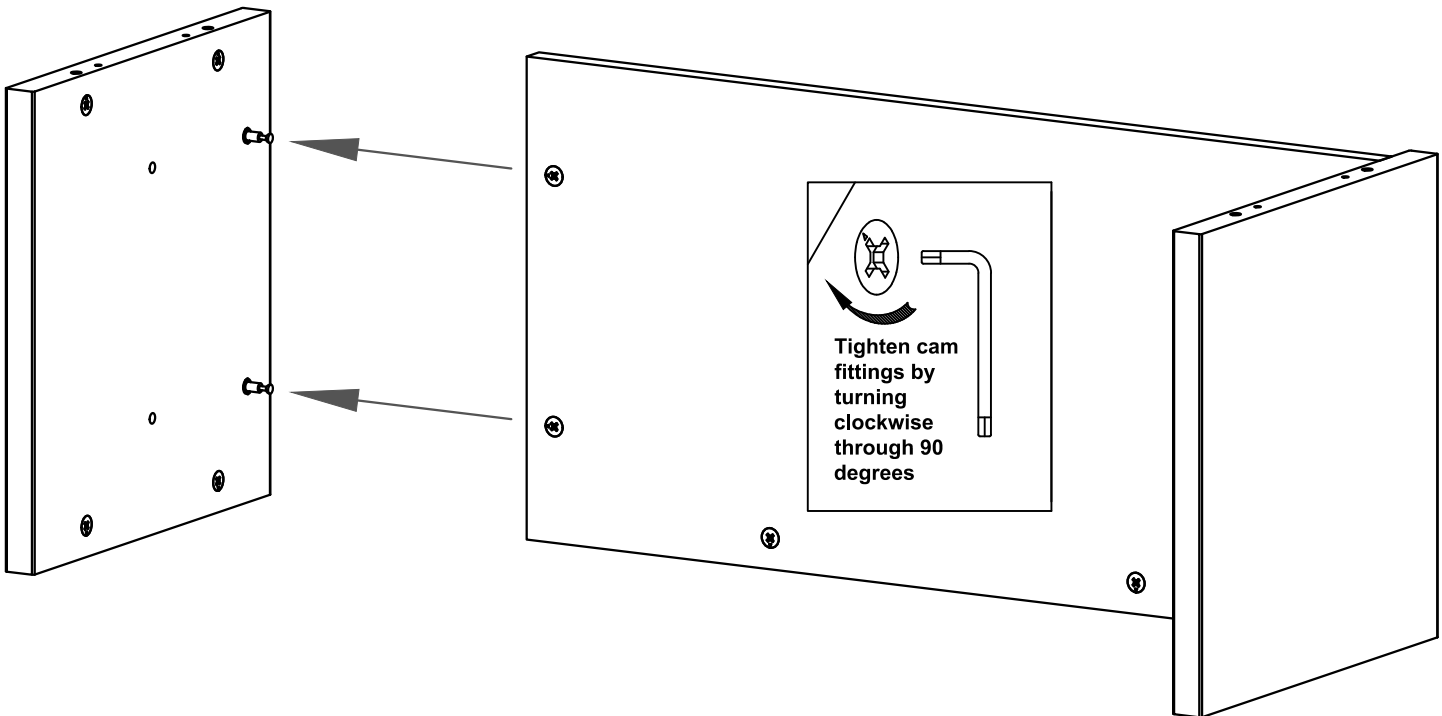
6



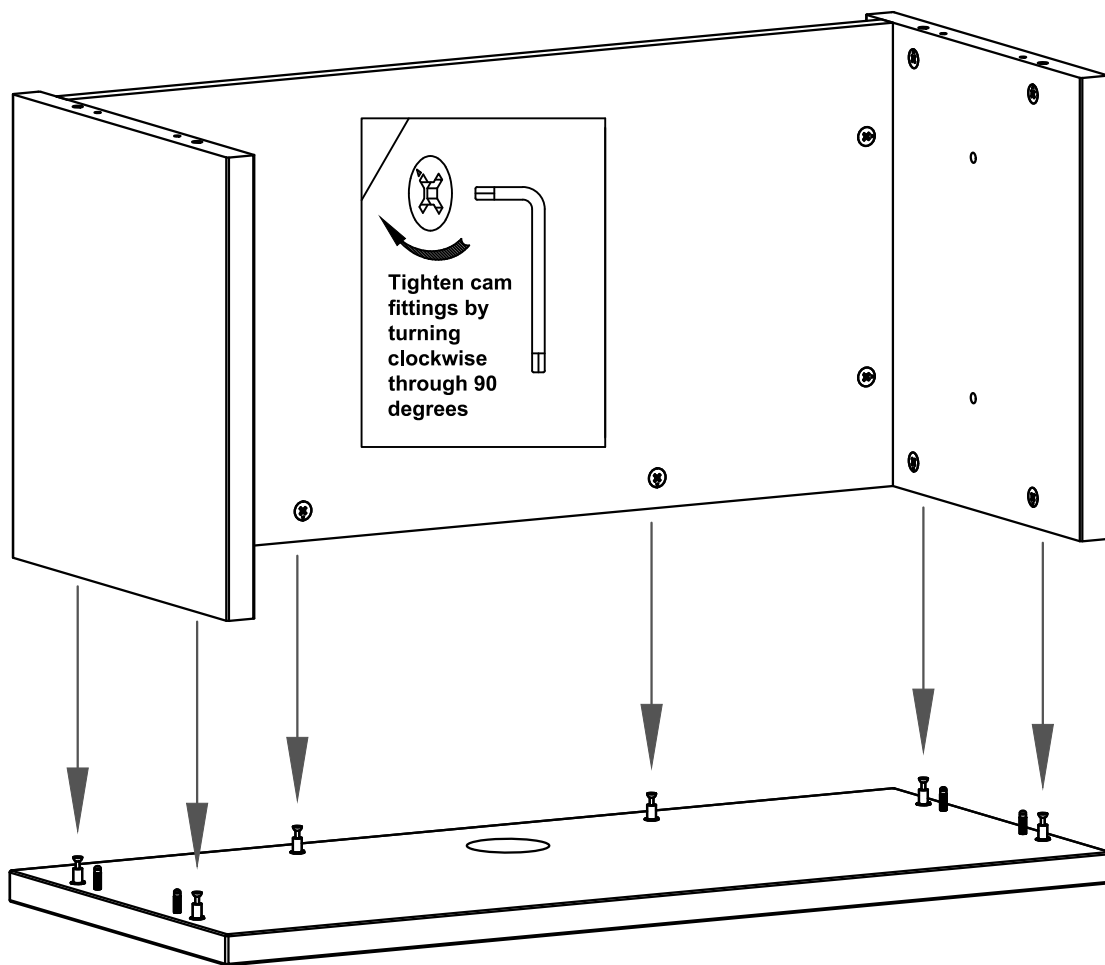
7



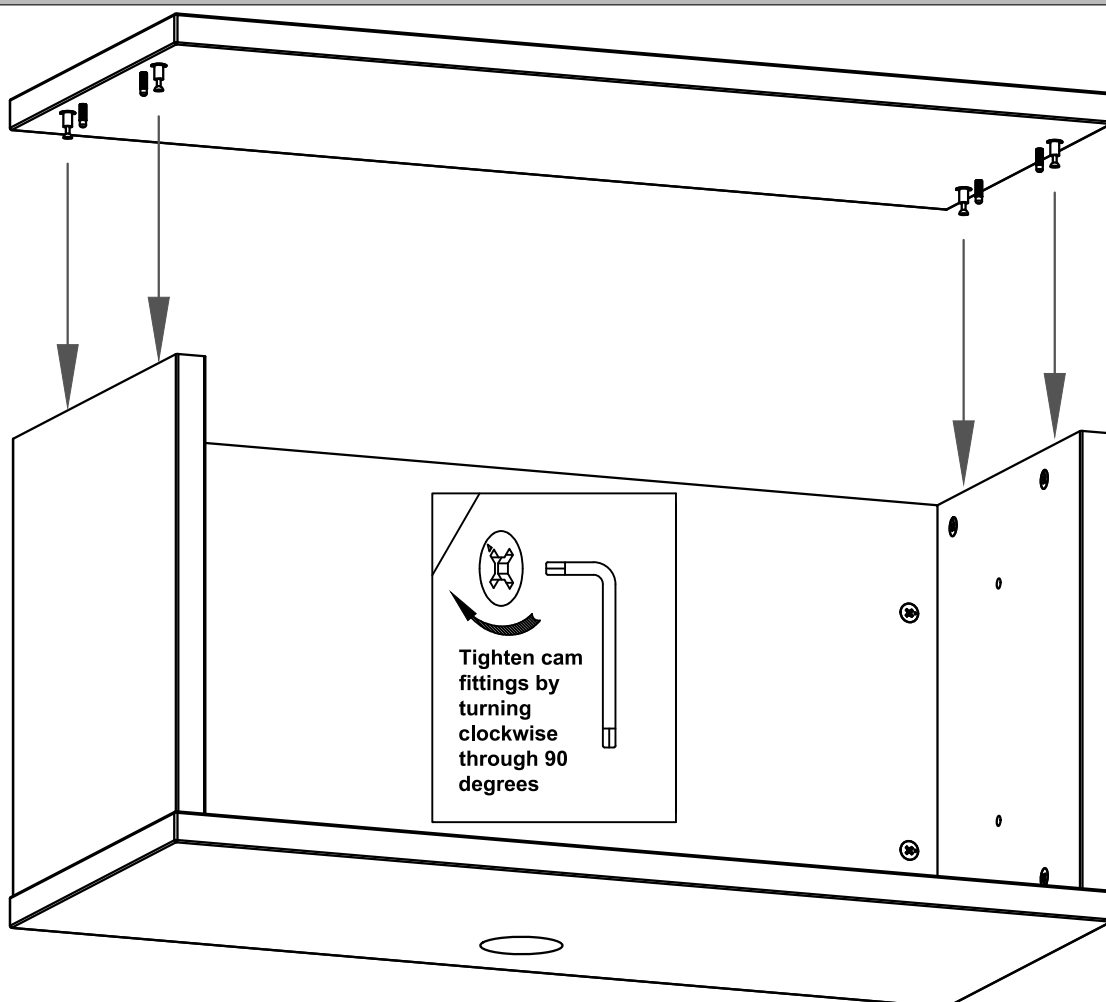
8

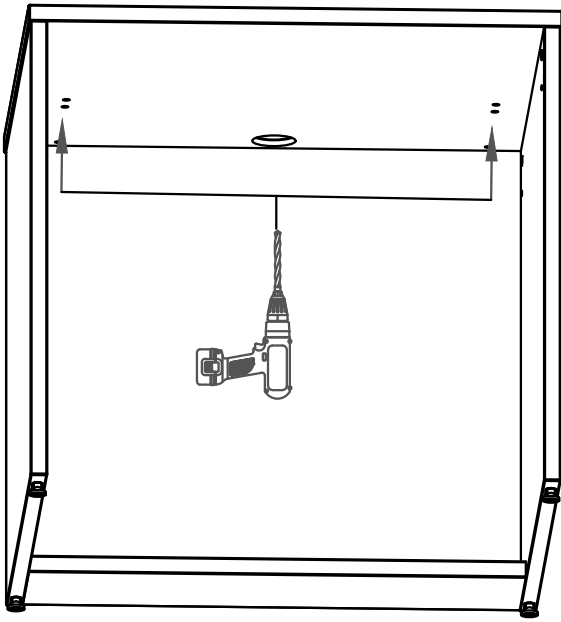


9




10

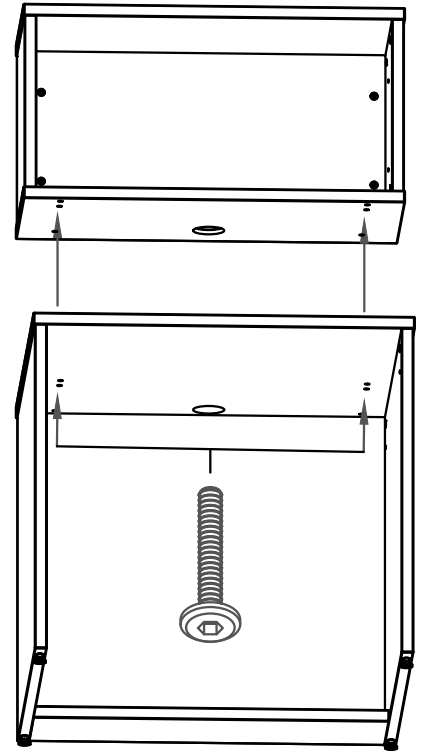




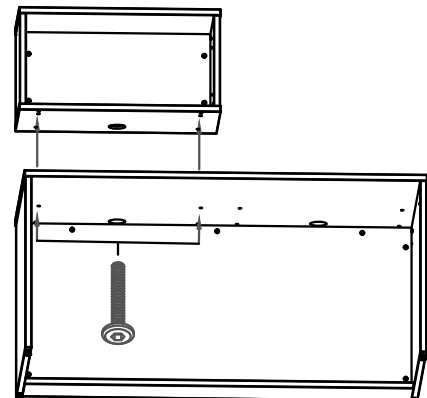
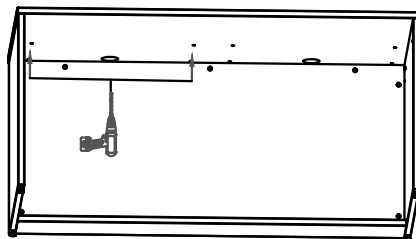
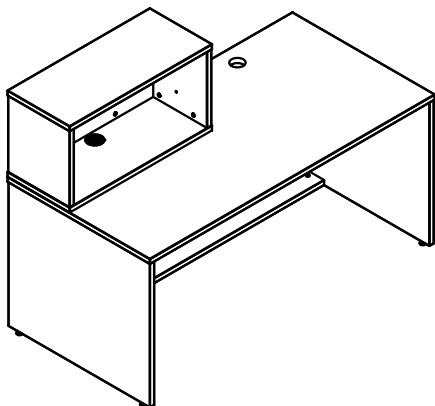
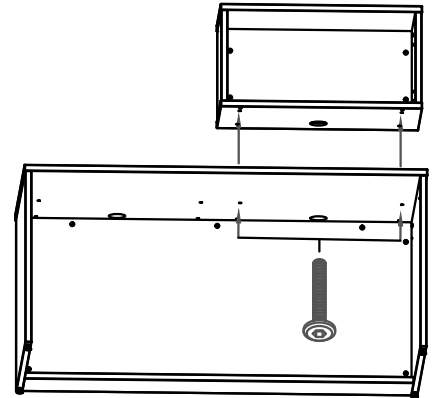
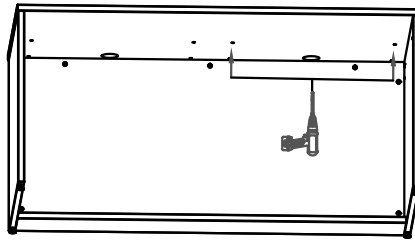
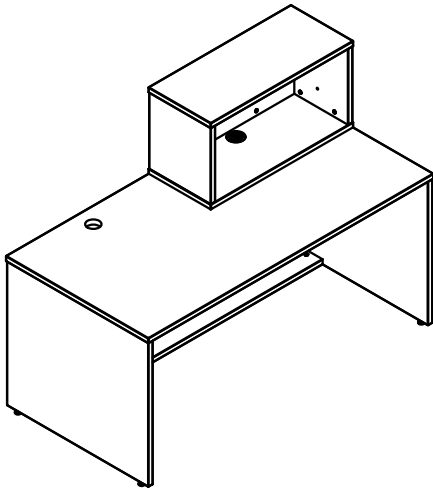
M6 x 35mm Connect bolt
RM-BLT03



x4



If attaching this unit to a 1600 desk please follow the steps below.





Linking units together

CONNECTING TO A LH DESK
Drill the LH Leg of the main desk and hutch as well as the RH leg of the adjoining desk and hutch.

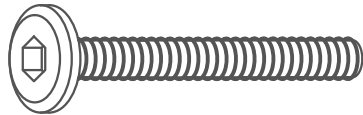
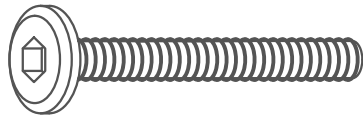


MAIN DESK



CONNECTING TO A RH DESK
Drill the RH Leg of the main desk and hutch as well as the LH leg of the adjoining desk and hutch.

Linking desk to desk

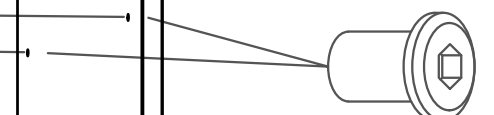
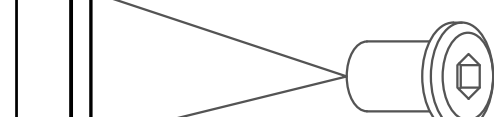


M6 x 50mm Connect bolt
RM-BLT05

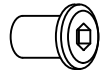


x4

RH Leg



M6 Sleeve nut
RM-NUT10



x4

LH Leg