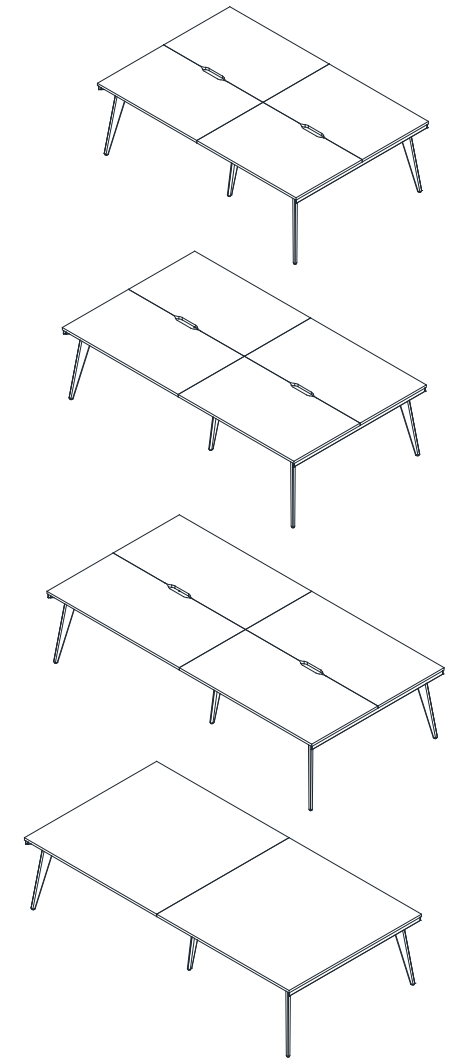
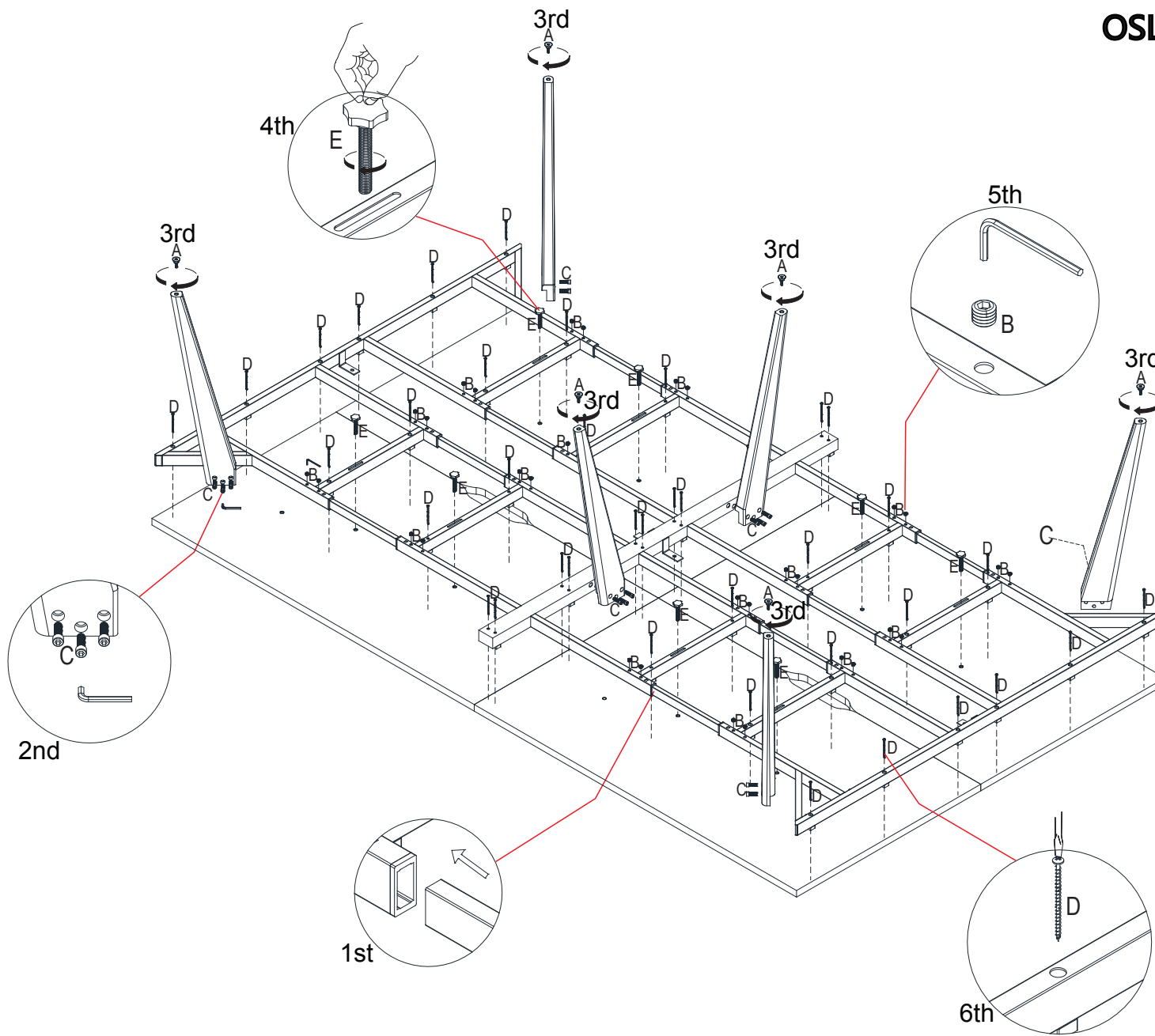


OSLO BACK TO BACK EXTENSION WHITE

Assembly instruction



 screwdriver not supplied



Ax6



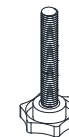
Bx32



Cx18



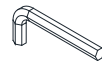
Dx40



Ex8



Fx1



Gx1

OSLO BACK TO BACK DESK FRAME WHITE

Assembly instruction

The wire groove should be jammed in before assembling the panel, then move the tabletop with the adjusting handle, assemble the screen, and finally install the self-tapping screw.

