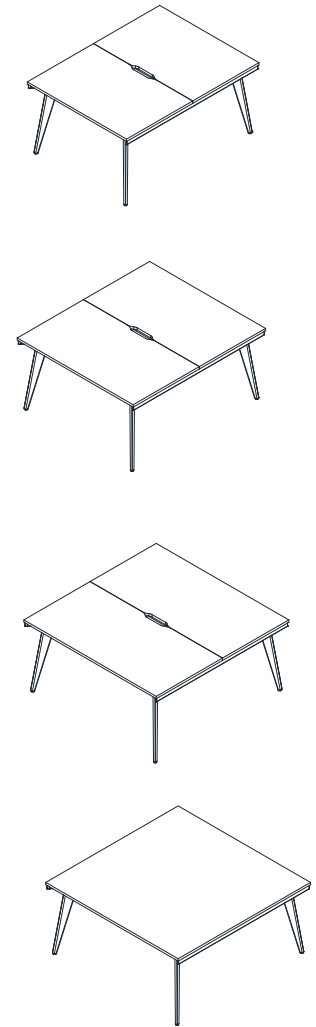
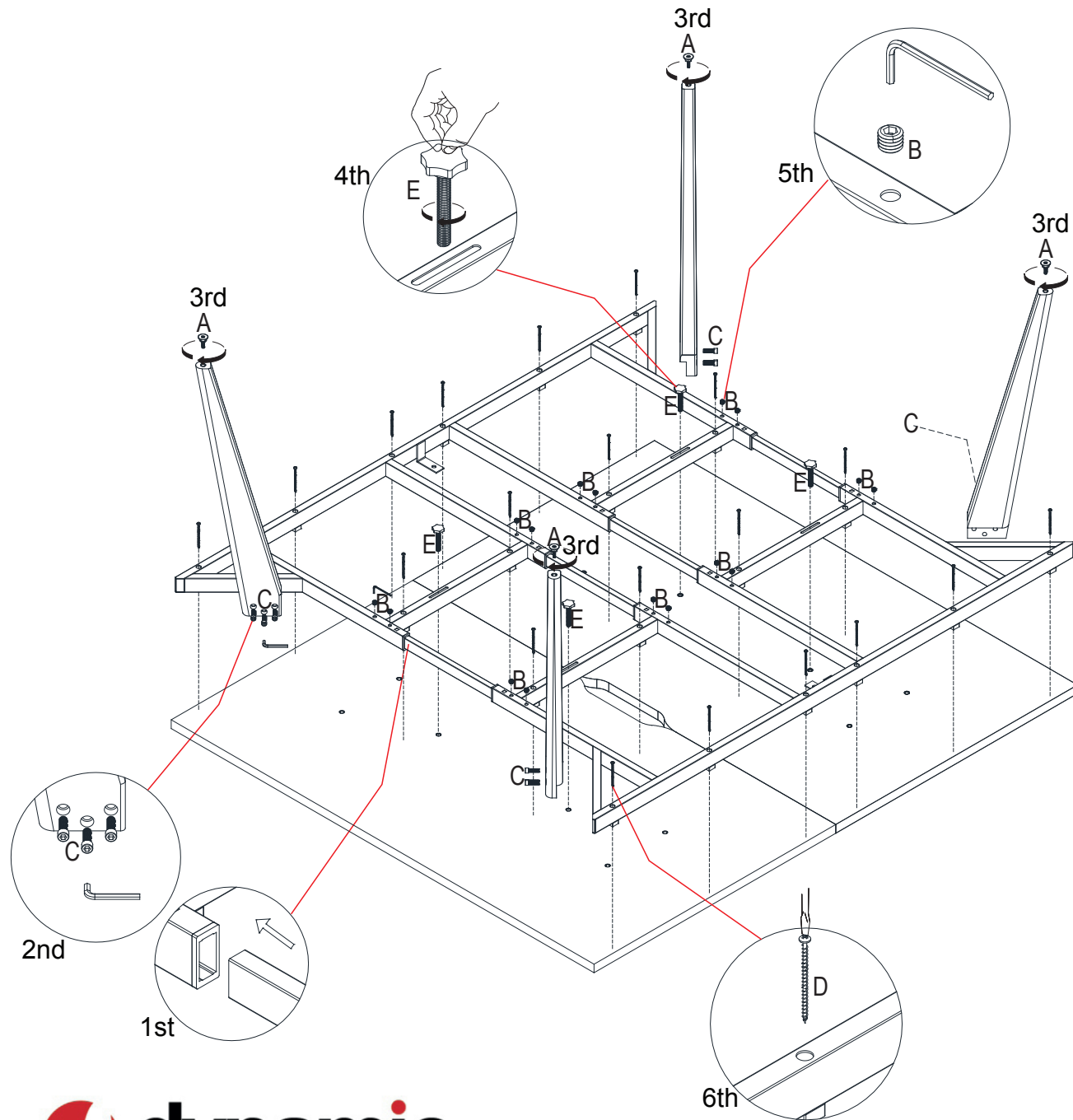






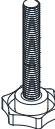

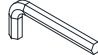
OSLO BACK TO BACK DESK FRAME WHITE

Assembly instruction



 screwdriver not supplied

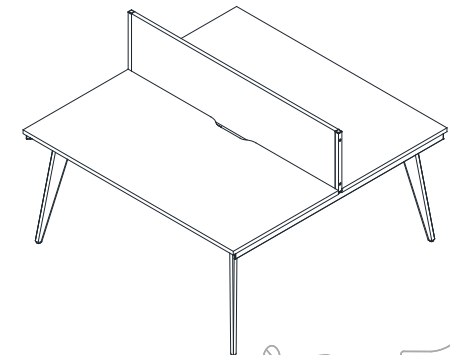
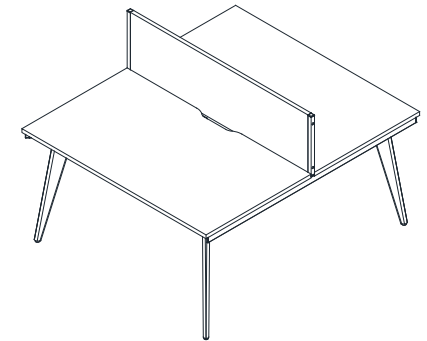
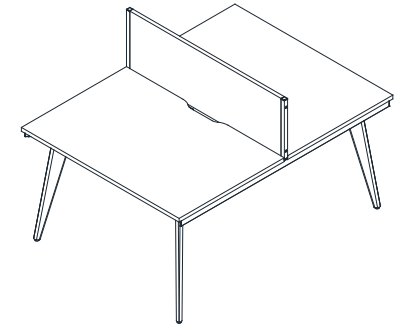
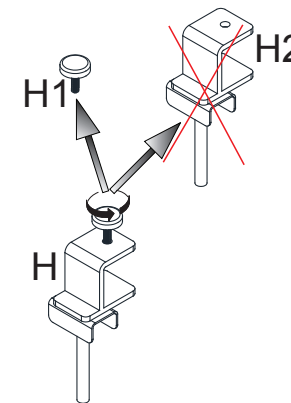
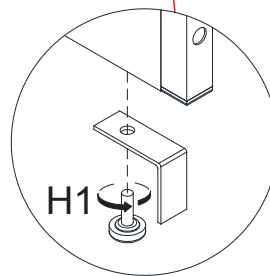
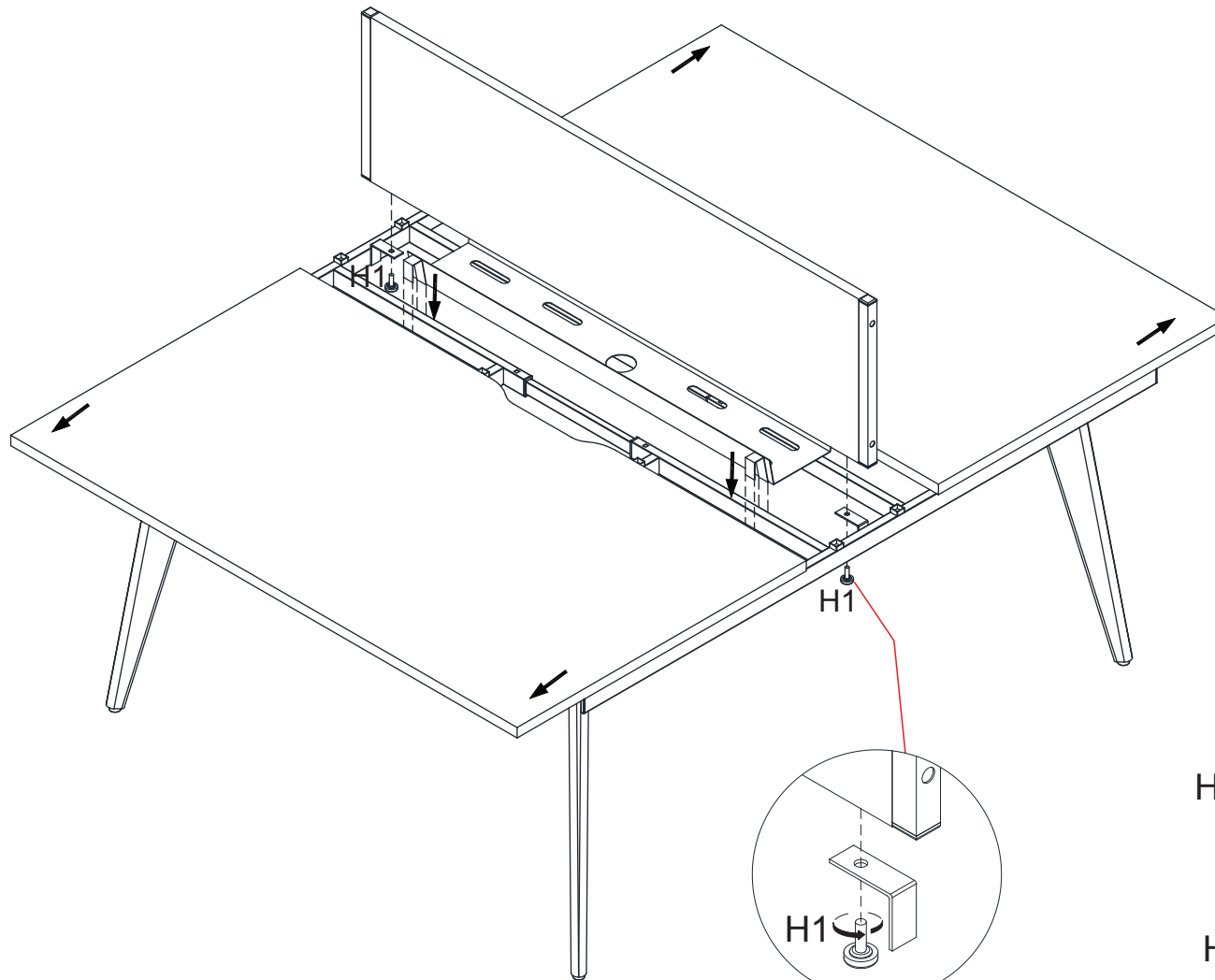


- 
Ax4
- 
Bx16
- 
Cx12
- 
Dx20
- 
Ex4
- 
Fx1
- 
Gx1

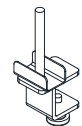
OSLO BACK TO BACK DESK FRAME WHITE

Assembly instruction

The wire groove should be jammed in before assembling the panel, then move the tabletop with the adjusting handle, assemble the screen, and finally install the self-tapping screw.



Accessories (H2) do not need to be used here



Hx2