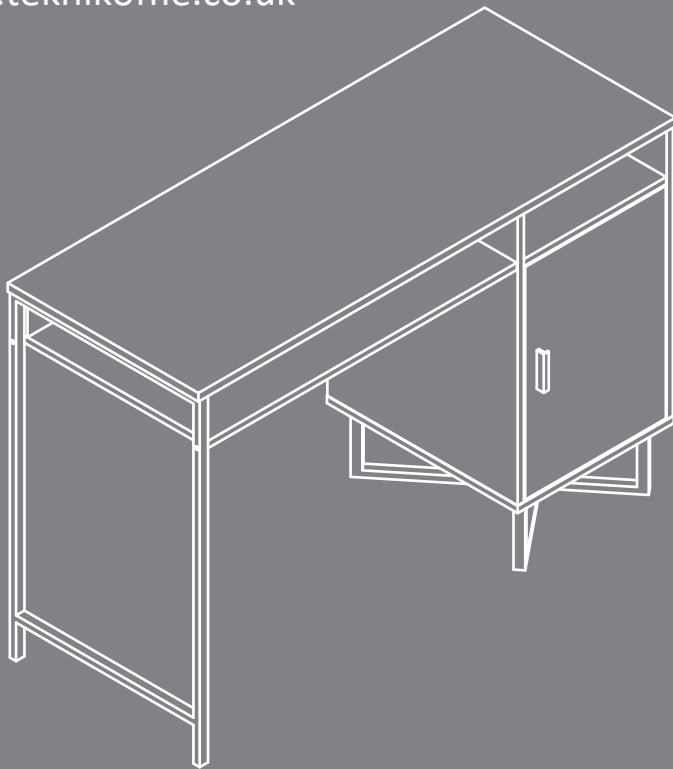


[www.teknikoffie.co.uk](http://www.teknikoffie.co.uk)

**Teknik**



Sit and surf.

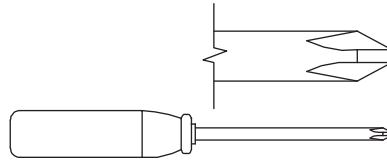
# Canyon Lane Desk

Model 5425304

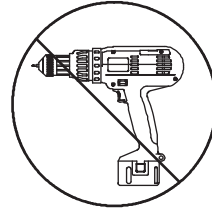
# Table of Contents

# Assembly Tools Required

Part Identification	3
Hardware Identification	4
Assembly Steps	5-18
Français	19-21
Español	22-24
Safety	25-26
Warranty	27



No. 2 Phillips Screwdriver  
Tip Shown Actual Size



Skip the power trip.  
This time.

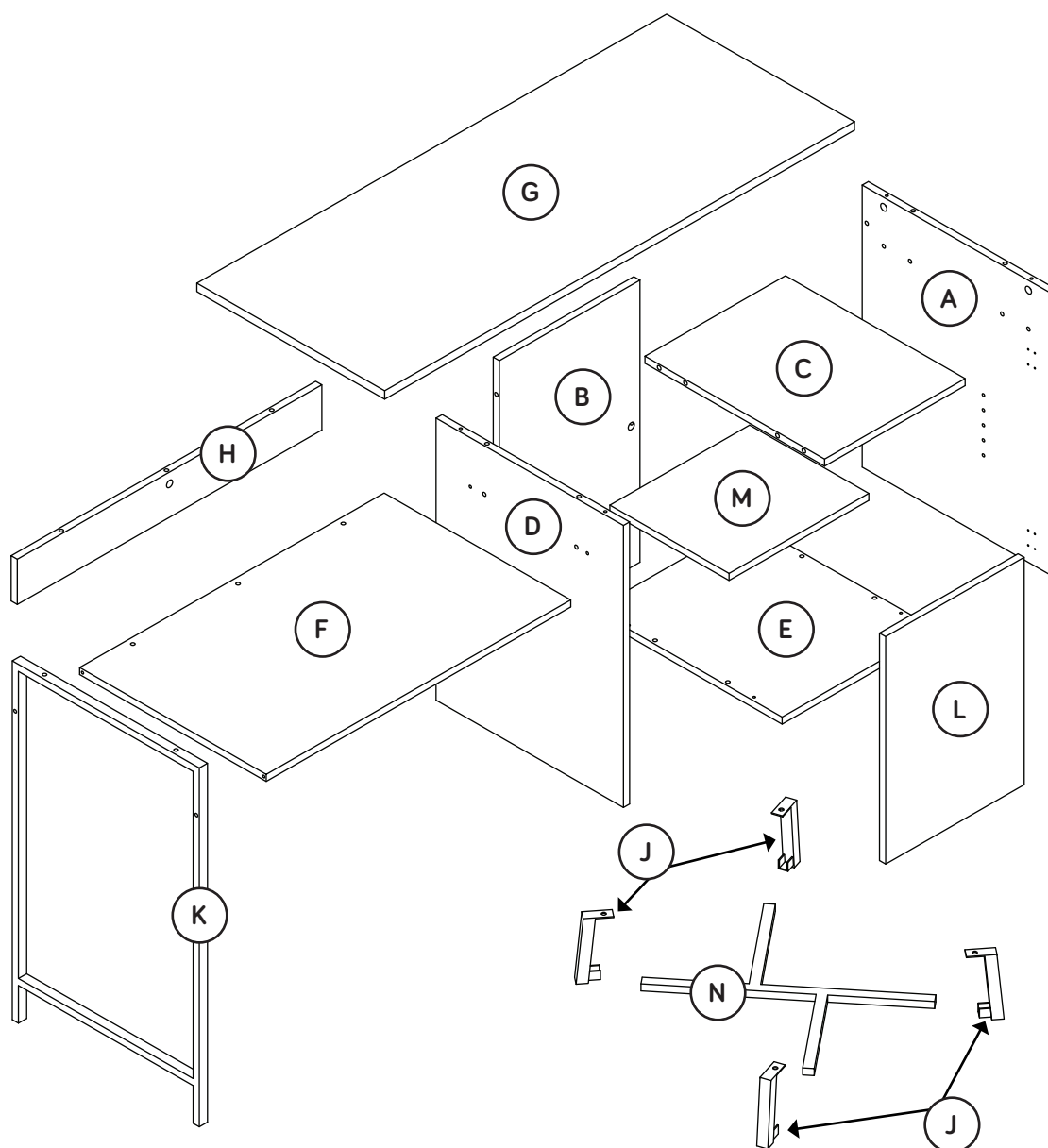
# Part Identification

Now you know  
our ABCs.



⚡ While not all parts are labeled, some of the parts will have a label or an inked letter on the edge to help distinguish similar parts from each other. Use this part identification to help identify similar parts.

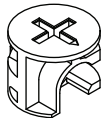
A	RIGHT END (1)	F	LARGE FIXED SHELF (1)	L	DOOR (1)
B	BACK (1)	G	TOP (1)	M	ADJUSTABLE SHELF (1)
C	SMALL FIXED SHELF (1)	H	MODESTY PANEL (1)	N	BASE (1)
D	UPRIGHT (1)	J	LEG (4)		
E	BOTTOM (1)	K	LEFT END (1)		



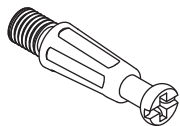
# Hardware Identification

† Screws are shown actual size. You may receive extra hardware with your unit.

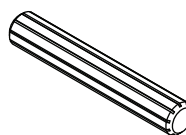
1 HIDDEN CAM - 13



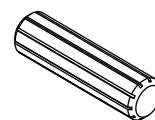
2 CAM SCREW - 13



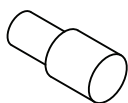
3 LONG WOOD DOWEL - 2



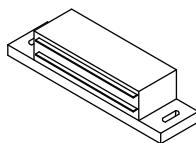
4 SHORT WOOD DOWEL - 18



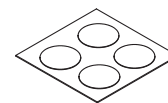
5 SHELF PIN - 4



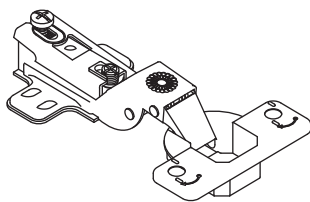
6 MAGNETIC CATCH - 1



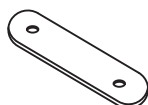
7 APPLIQUE CARD - 2



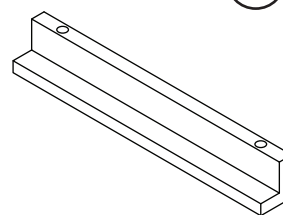
8 HINGE - 2



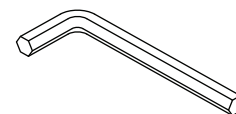
9 STRIKE PLATE - 1



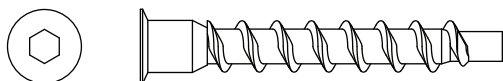
10 PULL - 1



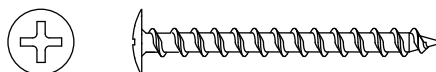
11 L-WRENCH - 1



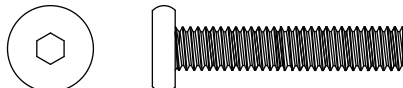
12 BLACK 1-7/8" HEX HEAD SCREW - 2



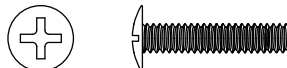
13 BLACK 1-9/16" PAN HEAD SCREW - 5



14 BLACK 1-3/16" HEX HEAD SCREW - 2



15 BLACK 3/4" MACHINE SCREW - 2



16 BLACK 5/8" FLAT HEAD SCREW - 2



17 BLACK 1/2" HEX HEAD SCREW - 8



18 SILVER 1/2" FLAT HEAD SCREW - 12



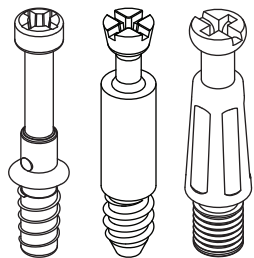
19 BLACK 1/2" FLAT HEAD SCREW - 2



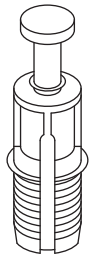
# Hardware Usage Guide

## HOW TO USE A HIDDEN CAM & CAM SCREW OR CAM DOWEL

1. NOTE: Various CAM SCREWS or a CAM DOWEL may be used.

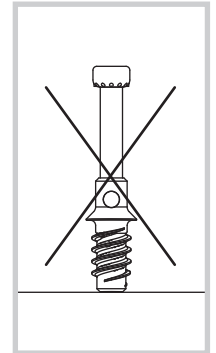
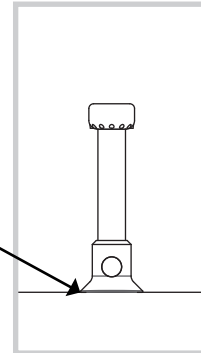


Cam Screws

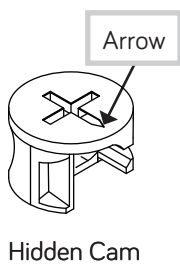


Cam Dowel

Turn the CAM SCREW or gently tap the CAM DOWEL until the shoulder is against the surface of the part.

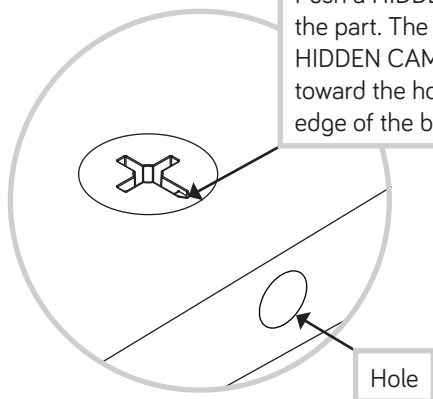


2.



Arrow

Hidden Cam

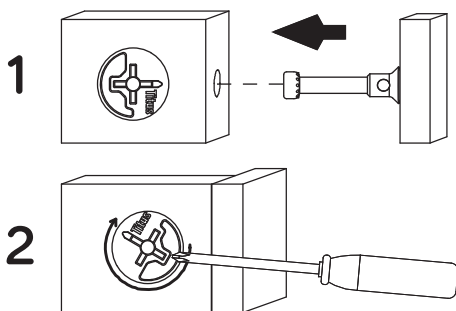


Push a HIDDEN CAM into the part. The arrow in the HIDDEN CAM must point toward the hole in the edge of the board.

Hole

3.

Insert the CAM SCREW or CAM DOWEL into the HIDDEN CAM. Tighten the HIDDEN CAM.

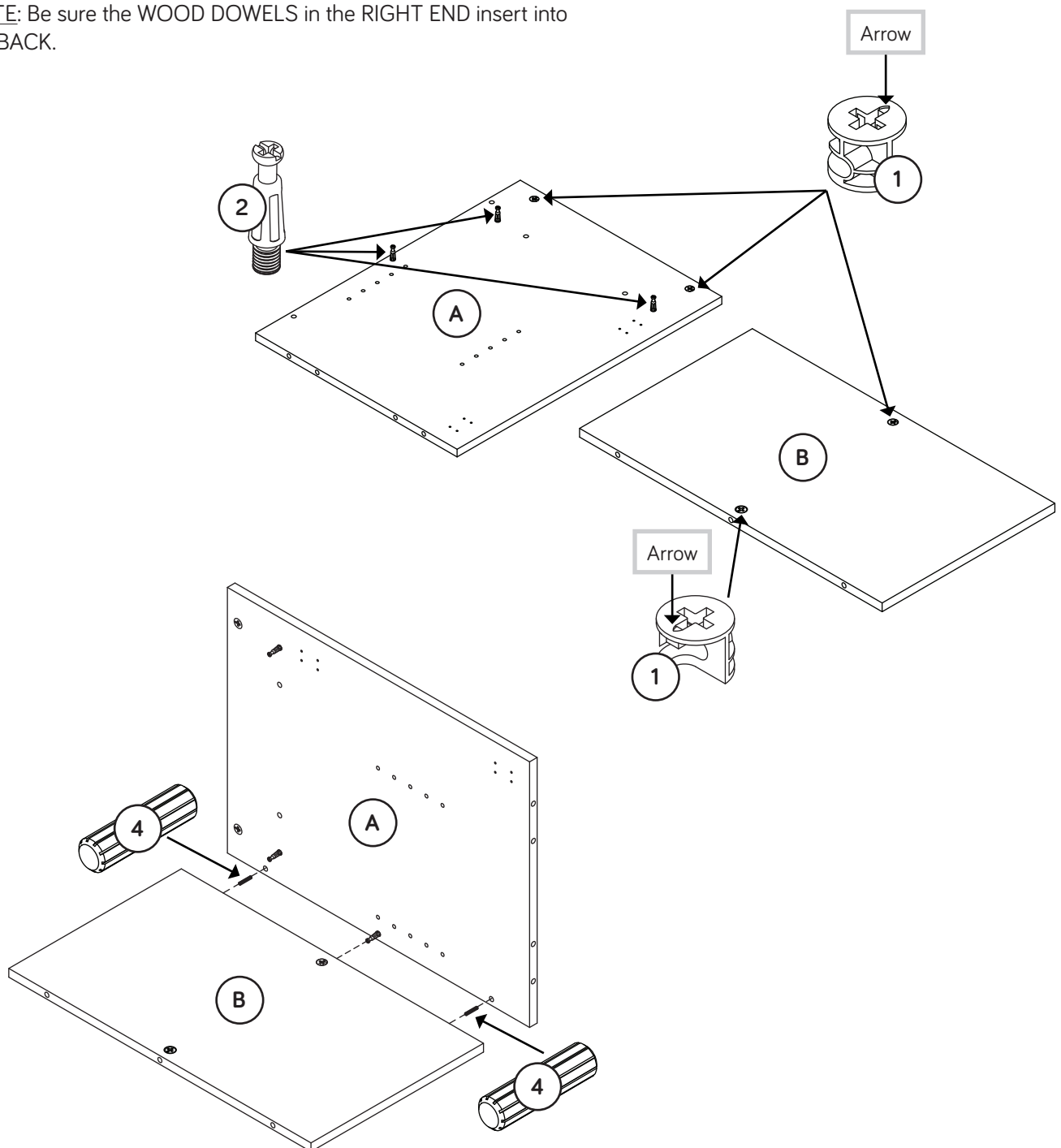


1

2

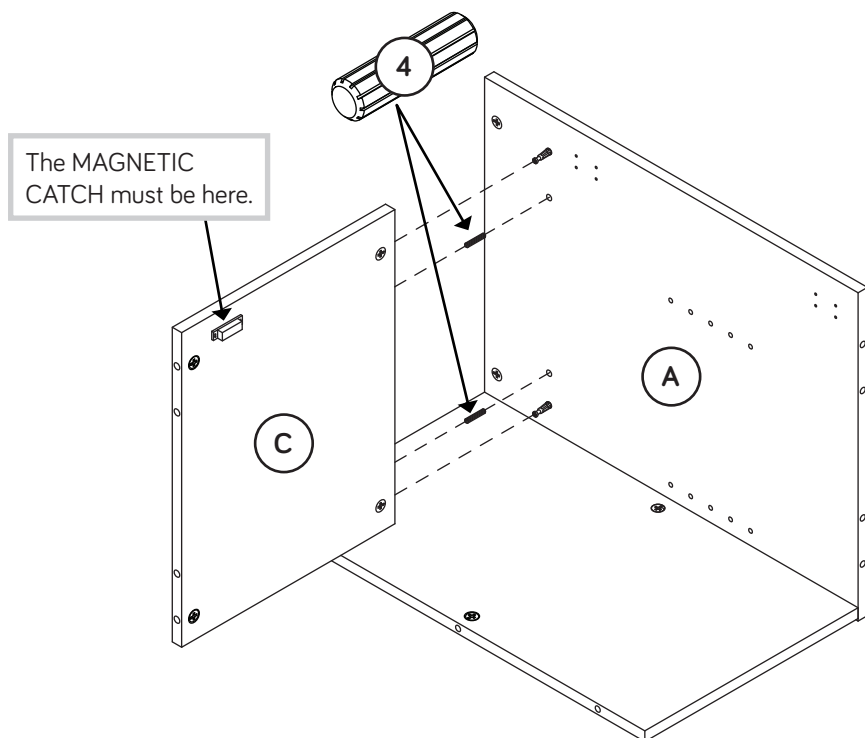
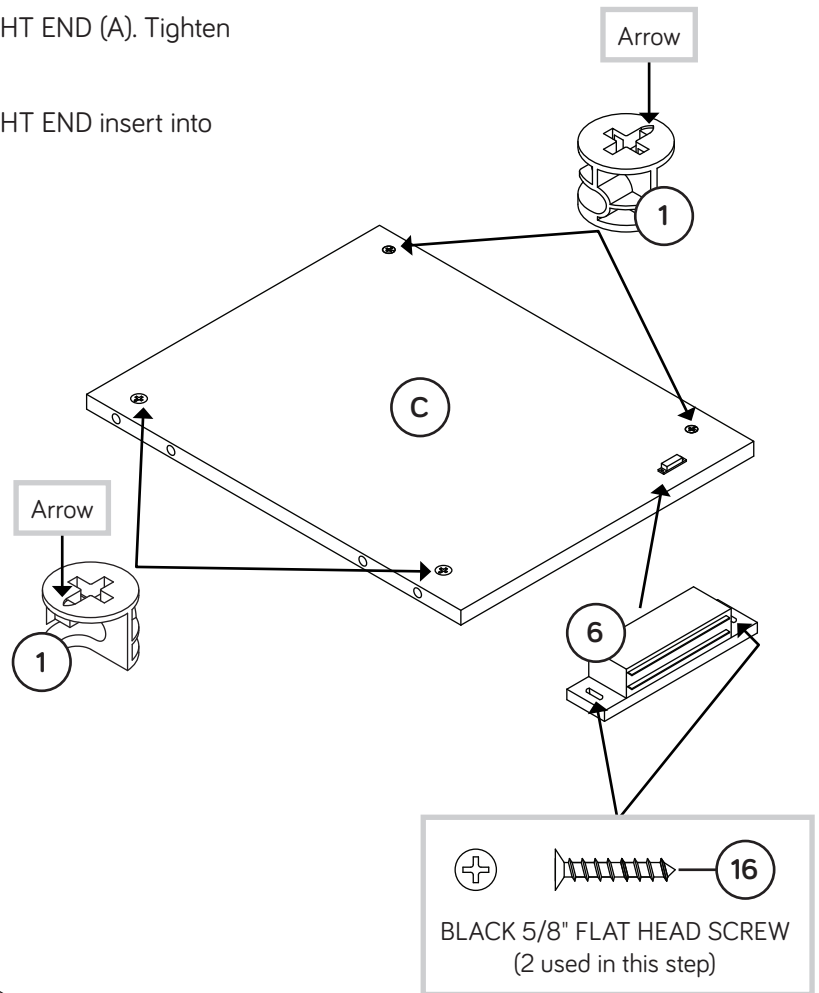
# Step 1

- ✚ Assemble your unit on a carpeted floor or on the empty carton to avoid scratching your unit or the floor.
- ✚ Push four HIDDEN CAMS (1) into the RIGHT END (A) and BACK (B).
- ✚ Turn three CAM SCREWS (2) into the RIGHT END (A).
- ✚ Insert two SHORT WOOD DOWELS (4) into the RIGHT END (A).
- ✚ Fasten the RIGHT END (A) to the BACK (B). Tighten one HIDDEN CAM.
- ✚ NOTE: Be sure the WOOD DOWELS in the RIGHT END insert into the BACK.



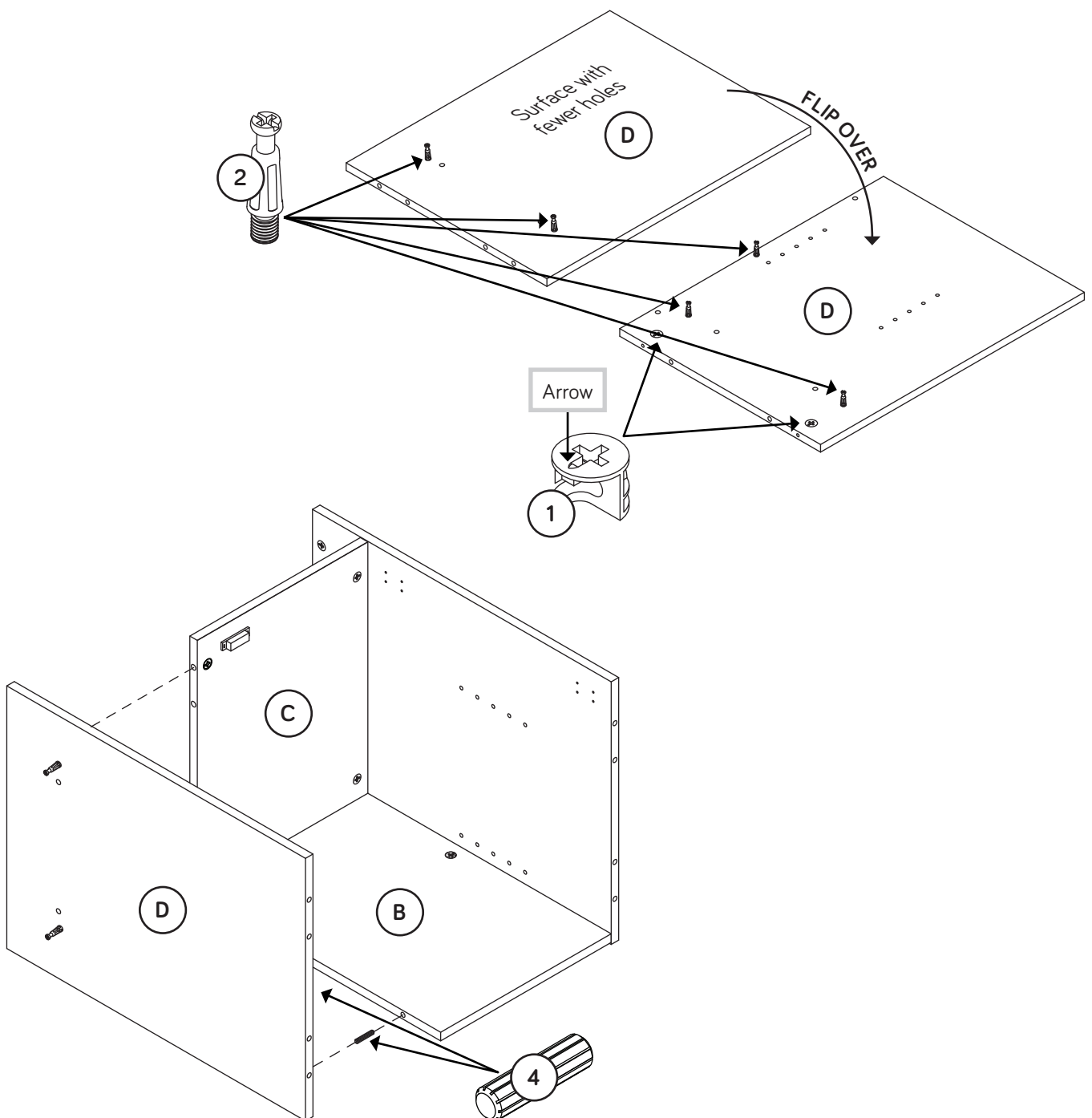
# Step 2

- ✚ Push four HIDDEN CAMS (1) into the SMALL FIXED SHELF (C).
- ✚ Fasten the MAGNETIC CATCH (6) to the SMALL FIXED SHELF (C).  
Use two BLACK 5/8" FLAT HEAD SCREWS (16).
- ✚ Insert two SHORT WOOD DOWELS (4) into the RIGHT END (A).
- ✚ Fasten the SMALL FIXED SHELF (C) to the RIGHT END (A). Tighten two HIDDEN CAMS.
- ✚ **NOTE:** Be sure the WOOD DOWELS in the RIGHT END insert into the SMALL FIXED SHELF.



# Step 3

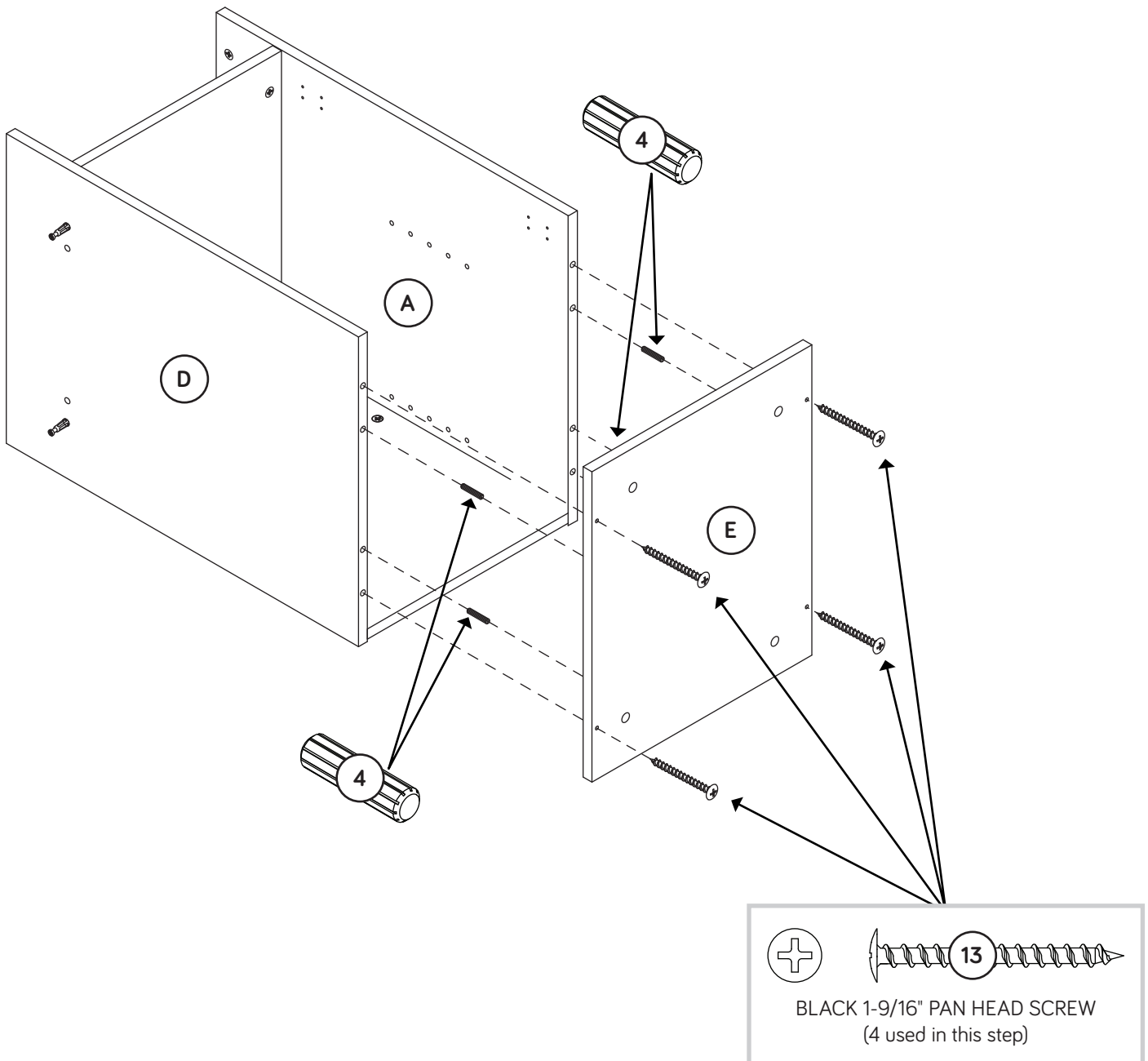
- ✚ Turn two CAM SCREWS (2) into the UPRIGHT (D).
- ✚ Carefully flip the UPRIGHT (D) over.
- ✚ Turn three CAM SCREWS (2) into this surface of the UPRIGHT (D).
- ✚ Push two HIDDEN CAMS (1) into the UPRIGHT (D).
- ✚ Insert two SHORT WOOD DOWELS (4) into the UPRIGHT (D).
- ✚ Fasten the UPRIGHT (D) to the BACK (B) and SMALL FIXED SHELF (C). Tighten three HIDDEN CAMS.
- ✚ NOTE: Be sure the WOOD DOWEL in the UPRIGHT inserts into the BACK.





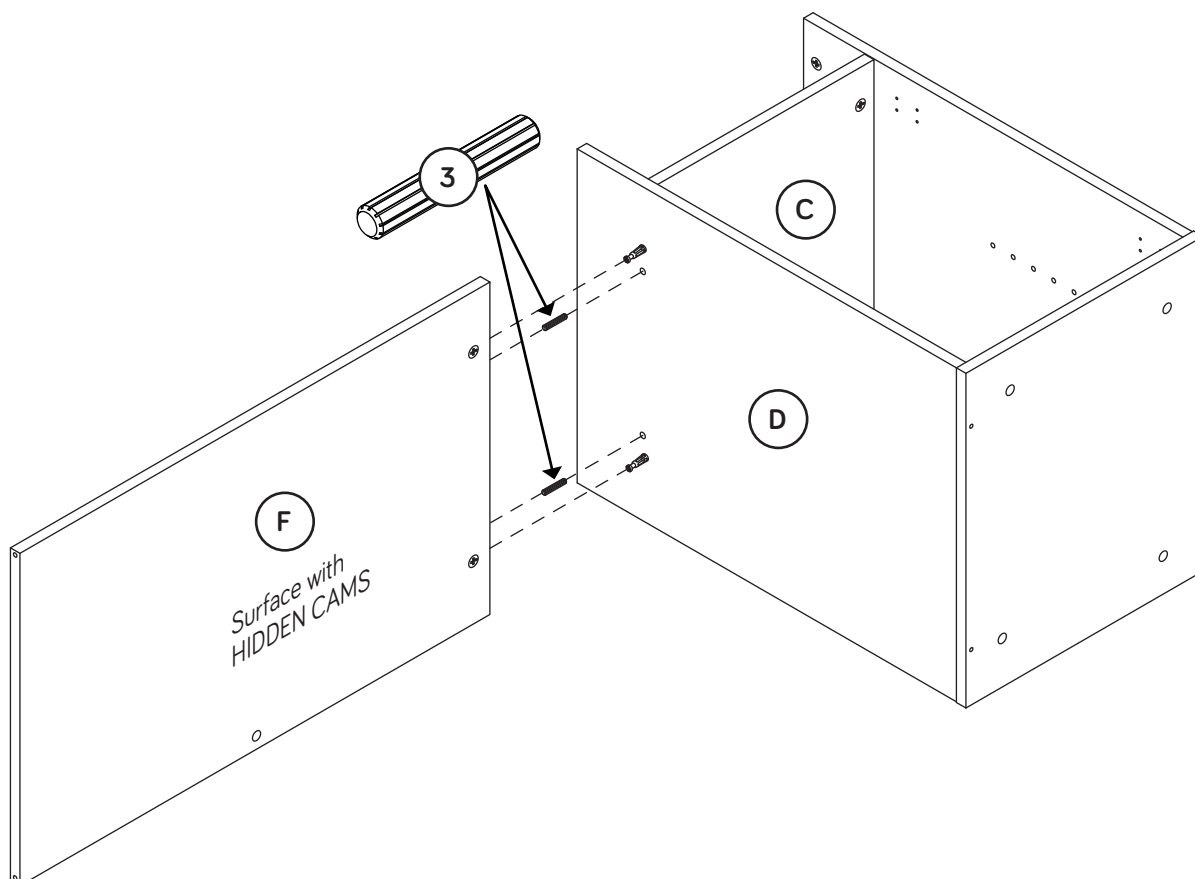
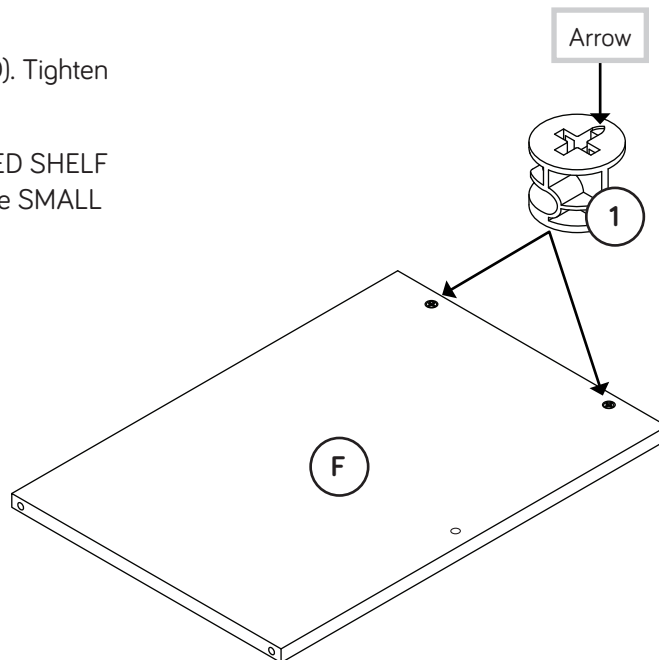
# Step 4

- ✚ Insert four SHORT WOOD DOWELS (4) into the RIGHT END (A) and UPRIGHT (D).
- ✚ Fasten the BOTTOM (E) to the RIGHT END (A) and UPRIGHT (D). Use four BLACK 1-9/16" PAN HEAD SCREWS (13).
- ✚ NOTE: Be sure the WOOD DOWELS in the RIGHT END and UPRIGHT insert into the BOTTOM.



# Step 5

- ✚ Insert two HIDDEN CAMS (1) into the LARGE FIXED SHELF (F).
- ✚ Insert two LONG WOOD DOWELS (3) into the edge of the LARGE FIXED SHELF (F).
- ✚ Fasten the LARGE FIXED SHELF (F) to the UPRIGHT (D). Tighten two HIDDEN CAMS.
- ✚ NOTE: Be sure the WOOD DOWELS in the LARGE FIXED SHELF (F) insert through the UPRIGHT (D) and into the edge of the SMALL FIXED SHELF (C).

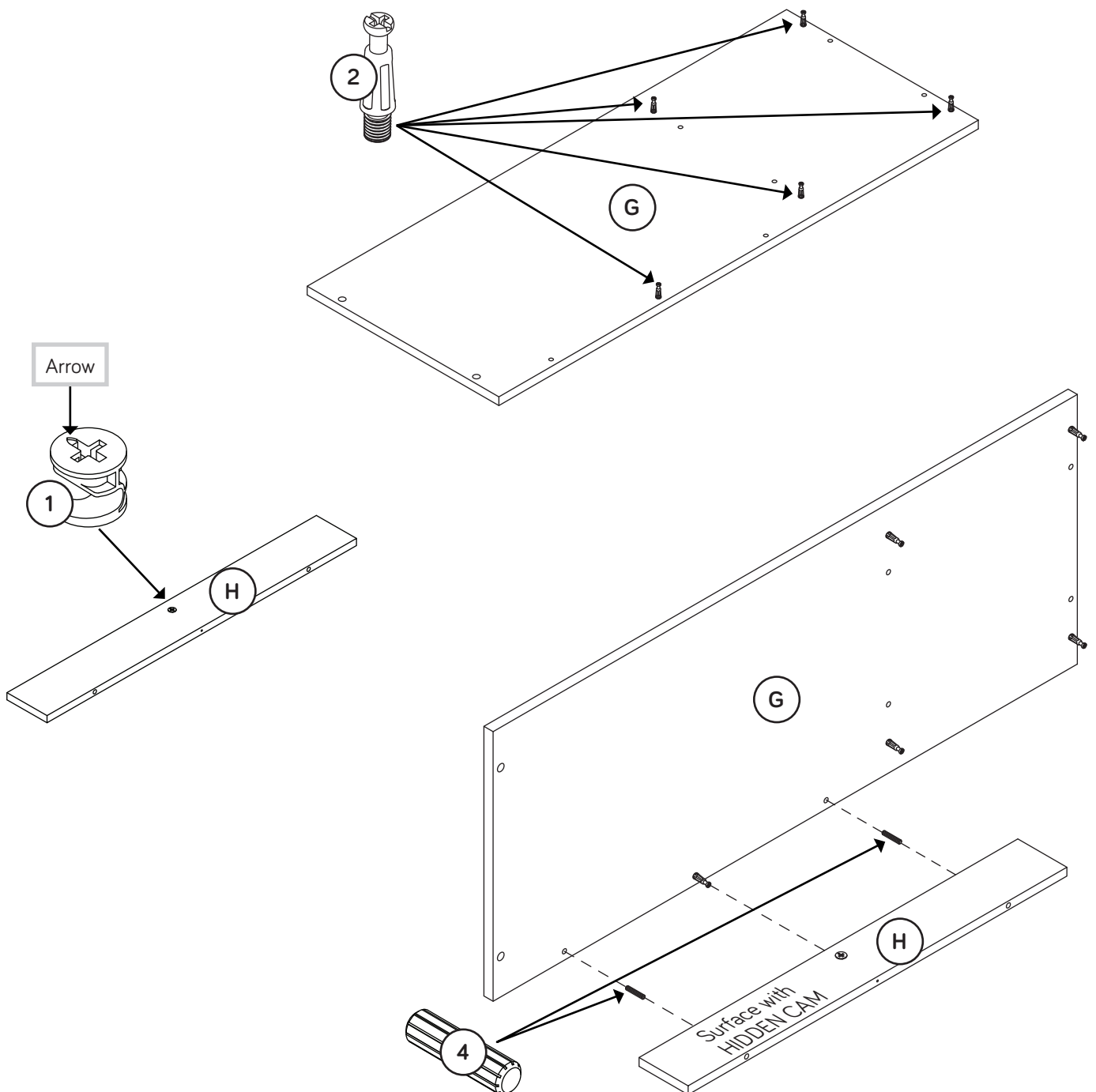


# Step 6

- Turn five CAM SCREWS (2) into the TOP (G).
  - Push one HIDDEN CAM (1) into the MODESTY PANEL (H).
  - Insert two SHORT WOOD DOWELS (4) into the TOP (G).
  - Fasten the MODESTY PANEL (H) to the TOP (G). Tighten one HIDDEN CAM.
- NOTE:** Be sure the WOOD DOWELS in the TOP insert into the MODESTY PANEL.

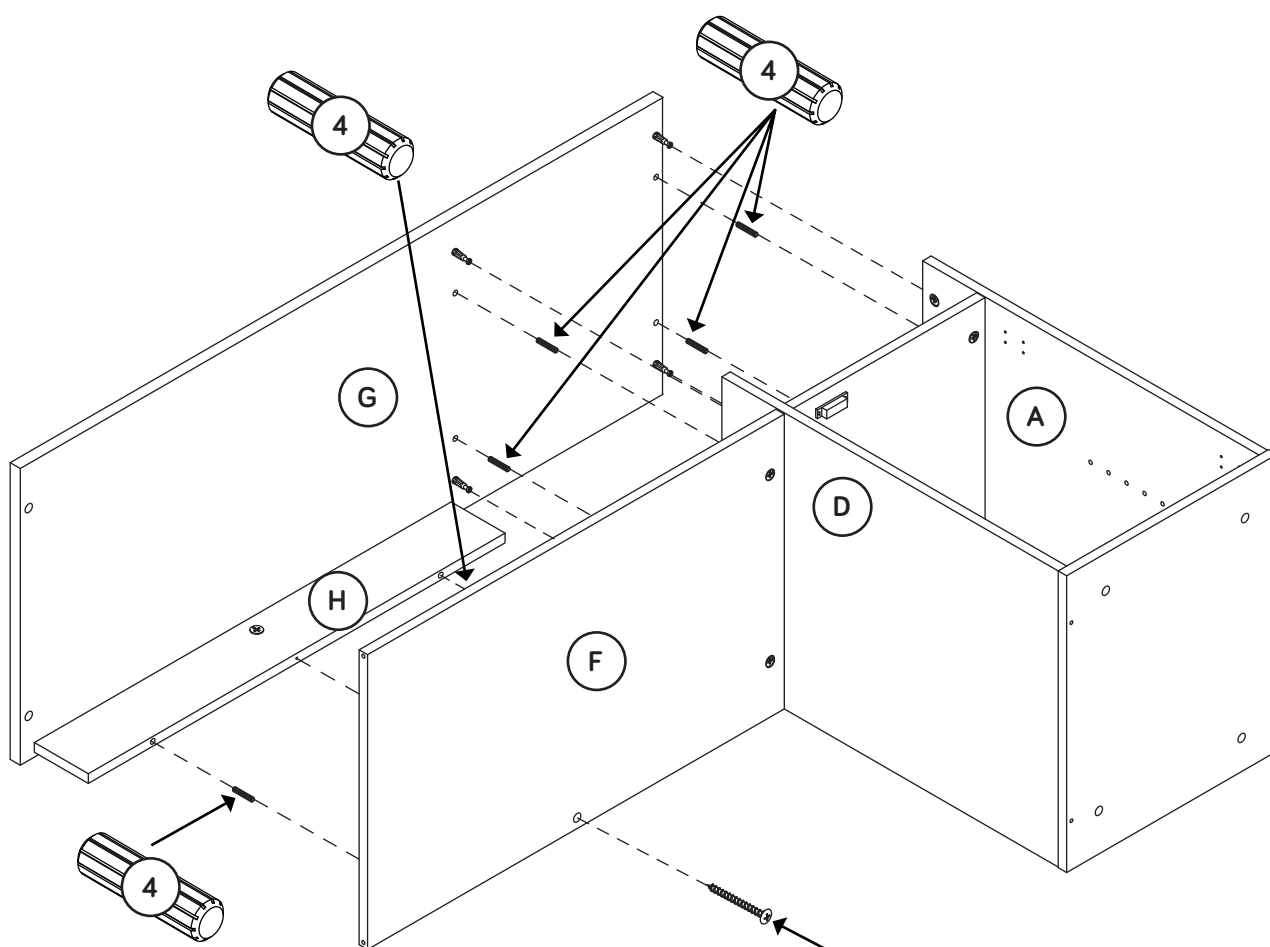


Don't worry. It isn't Rome. This can be built in a day.



# Step 7

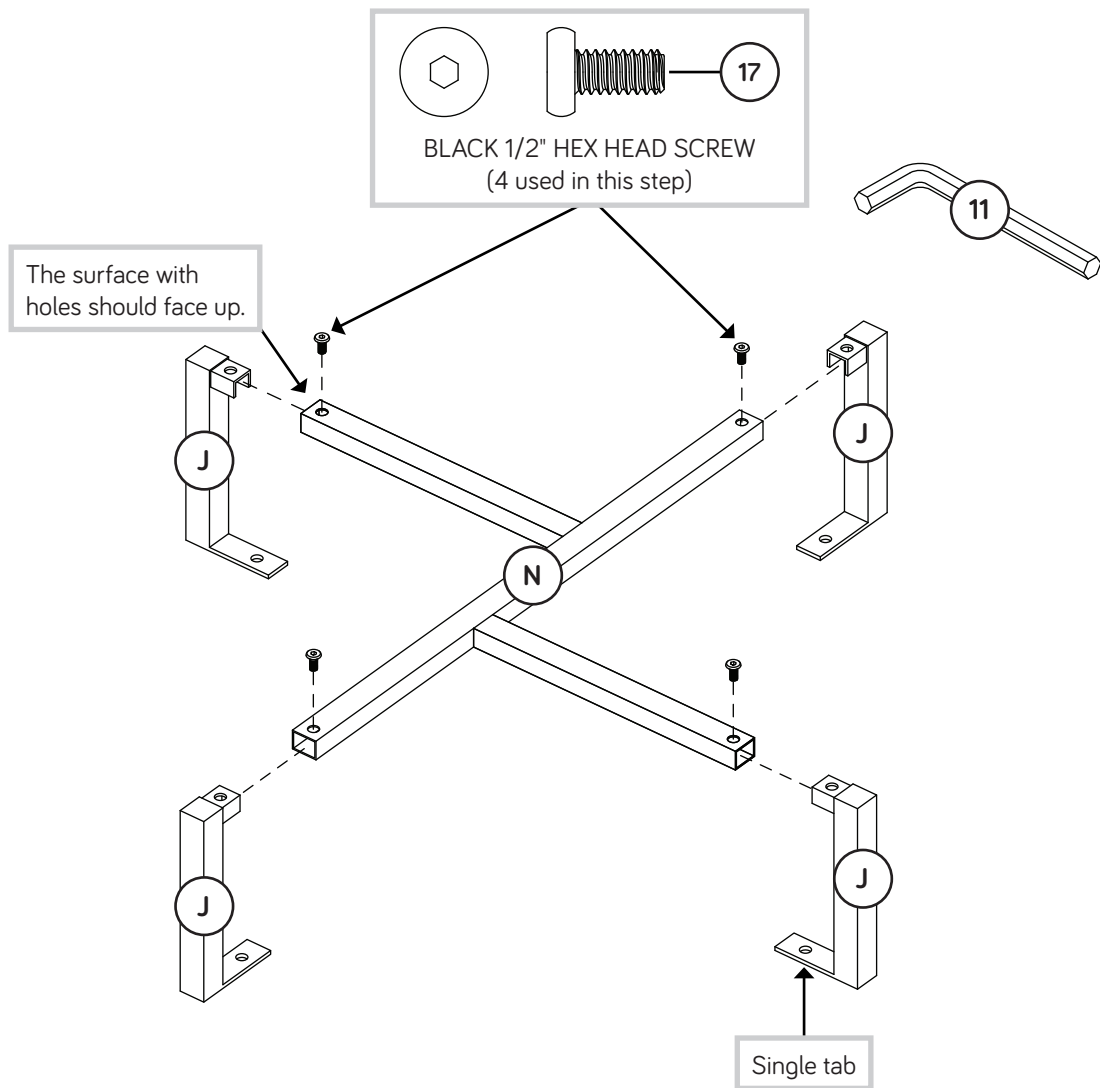
- ✚ Insert six SHORT WOOD DOWELS (4) into the TOP (G) and MODESTY PANEL (H).
- ✚ Fasten the TOP (G) to the RIGHT END (A) and UPRIGHT (D). Tighten four HIDDEN CAMS.
- ✚ **NOTE:** Be sure the WOOD DOWELS in the TOP and MODESTY PANEL insert into the RIGHT END (A), UPRIGHT (D), and LARGE FIXED SHELF (F).
- ✚ Fasten the LARGE FIXED SHELF (F) to the MODESTY PANEL (H). Use one BLACK 1-9/16" PAN HEAD SCREW (13).



BLACK 1-9/16" PAN HEAD SCREW  
(1 used in this step)

# Step 8

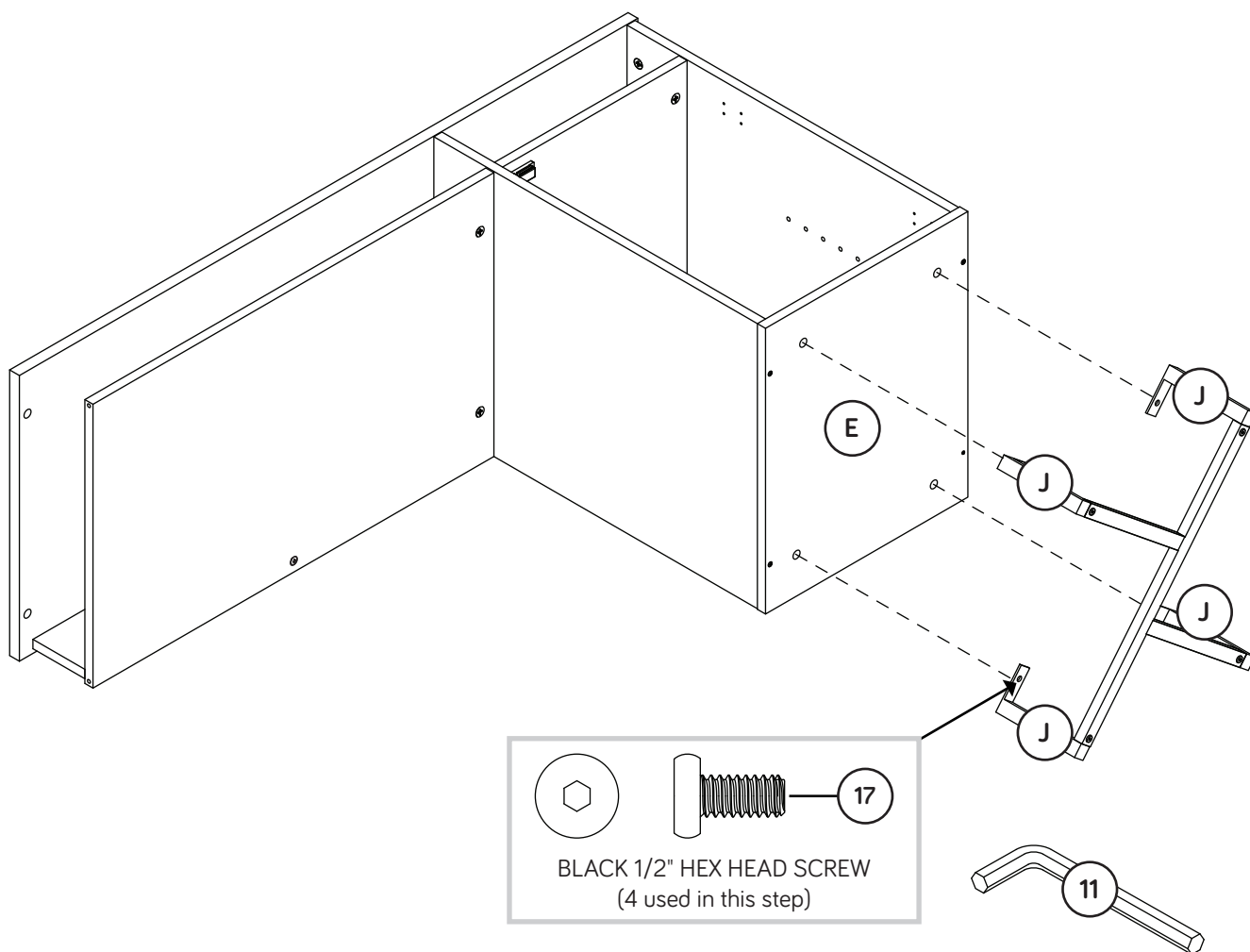
- Fasten the BASE (N) to the LEGS (J). Tighten four BLACK 1/2" HEX HEAD SCREWS (17) using the L-WRENCH (11).



# Step 9

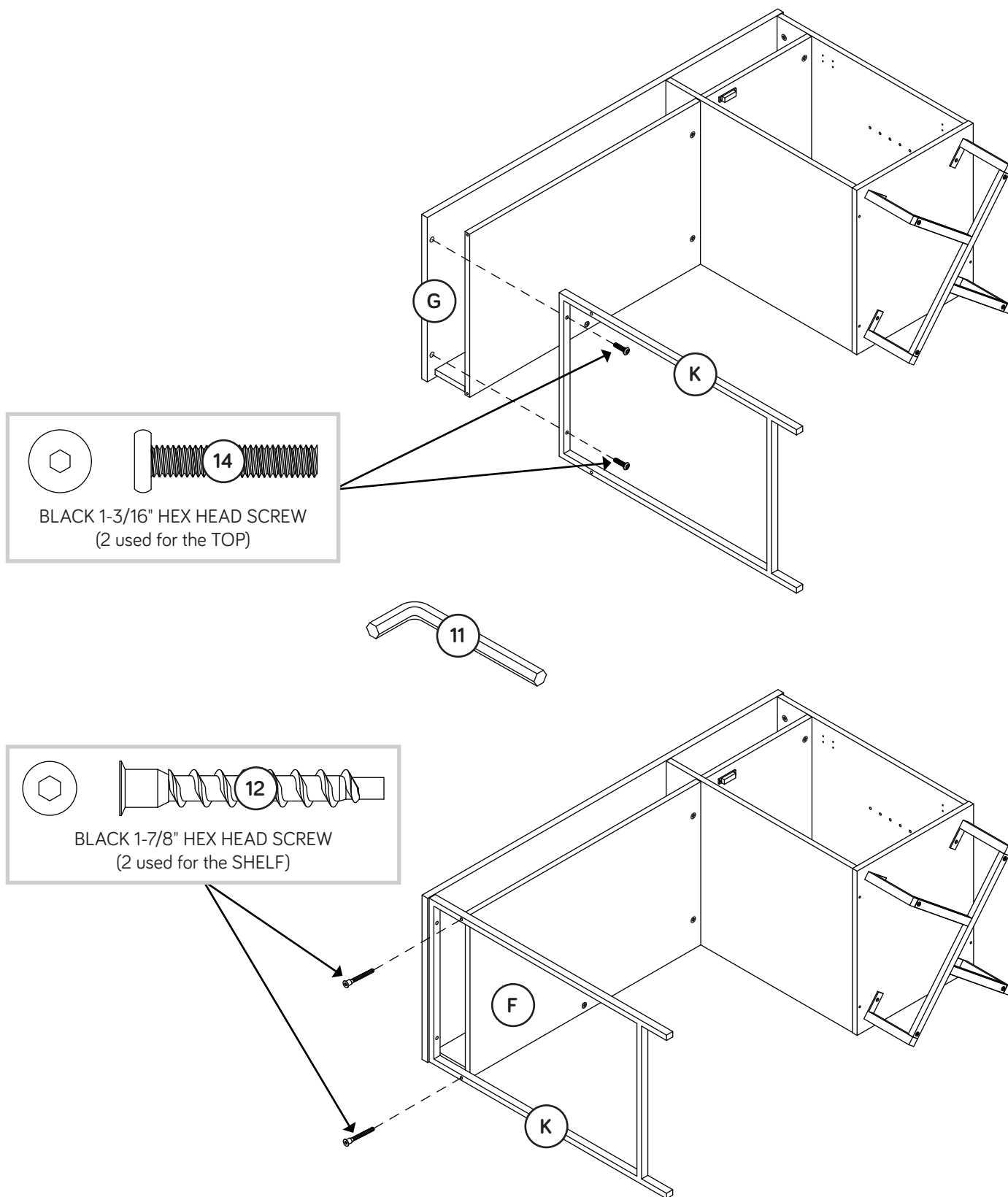
Fasten the LEGS (J) to the BOTTOM (E). Tighten four BLACK 1/2" HEX HEAD SCREWS (17) using the L-WRENCH (11).

**NOTE:** You should start each SCREW a few turns before completely tightening any of them.



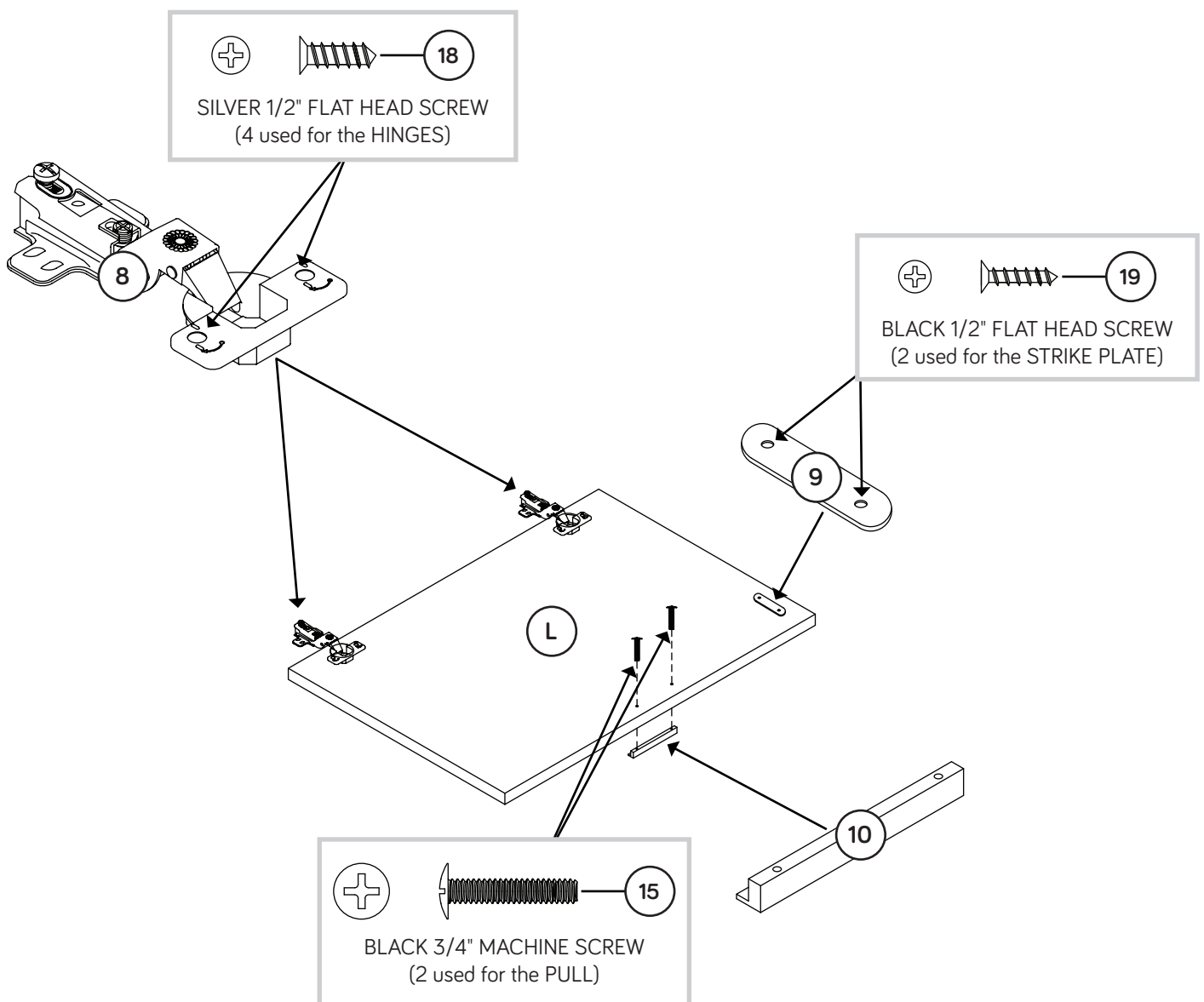
# Step 10

- Fasten the LEFT END (K) to the TOP (G). Tighten two BLACK 1-3/16" HEX HEAD SCREWS (14) using the L-WRENCH (11).
- Fasten the LEFT END (K) to the LARGE FIXED SHELF (F). Tighten two BLACK 1-7/8" HEX HEAD SCREWS (12) using the L-WRENCH (11).



# Step 11

- Fasten the STRIKE PLATE (9) to the DOOR (L). Use two BLACK 1/2" FLAT HEAD SCREWS (19).
- Fasten two HINGES (8) to the DOOR (L). Use four SILVER 1/2" FLAT HEAD SCREWS (18).
- Fasten the PULL (10) to the DOOR (L). Use two BLACK 3/4" MACHINE SCREWS (15).



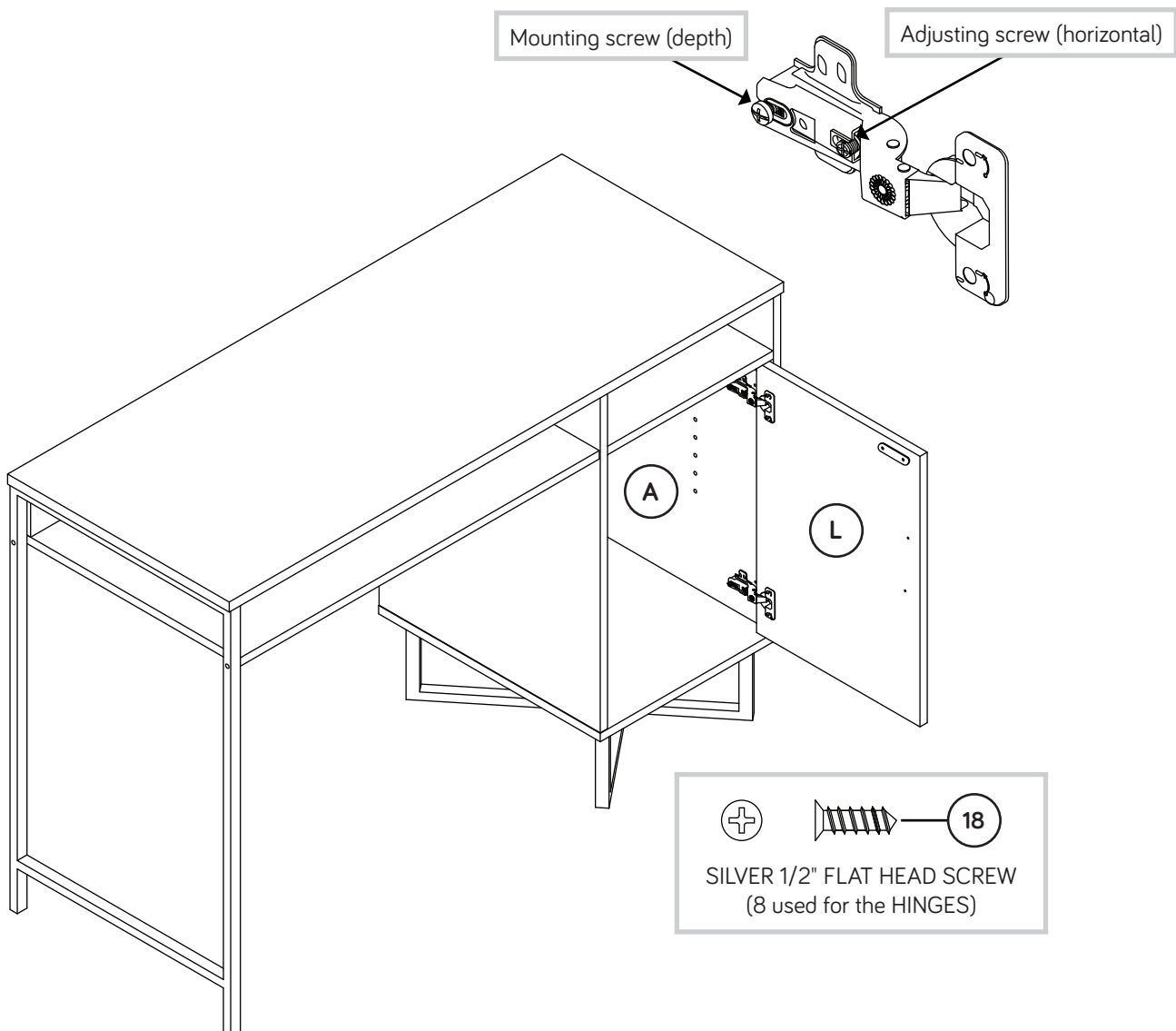


# Step 12

- ✚ Carefully stand your unit upright.
- ✚ Fasten the DOOR (L) to the RIGHT END (A). Use eight SILVER 1/2" FLAT HEAD SCREWS (18).
- ✚ Refer to the enlarged diagram to identify the parts on the HINGES.
- ✚ The DOOR may need some adjustments. Follow the text below to make needed adjustments.
- ✚ DOOR ADJUSTMENTS:  
To adjust the DOOR from side to side (horizontal), turn the adjusting screw in or out.
- ✚ To adjust the DOOR in or out (depth), loosen the mounting screw one turn and move the DOOR in or out, as needed. Tighten the mounting screw after making adjustments.

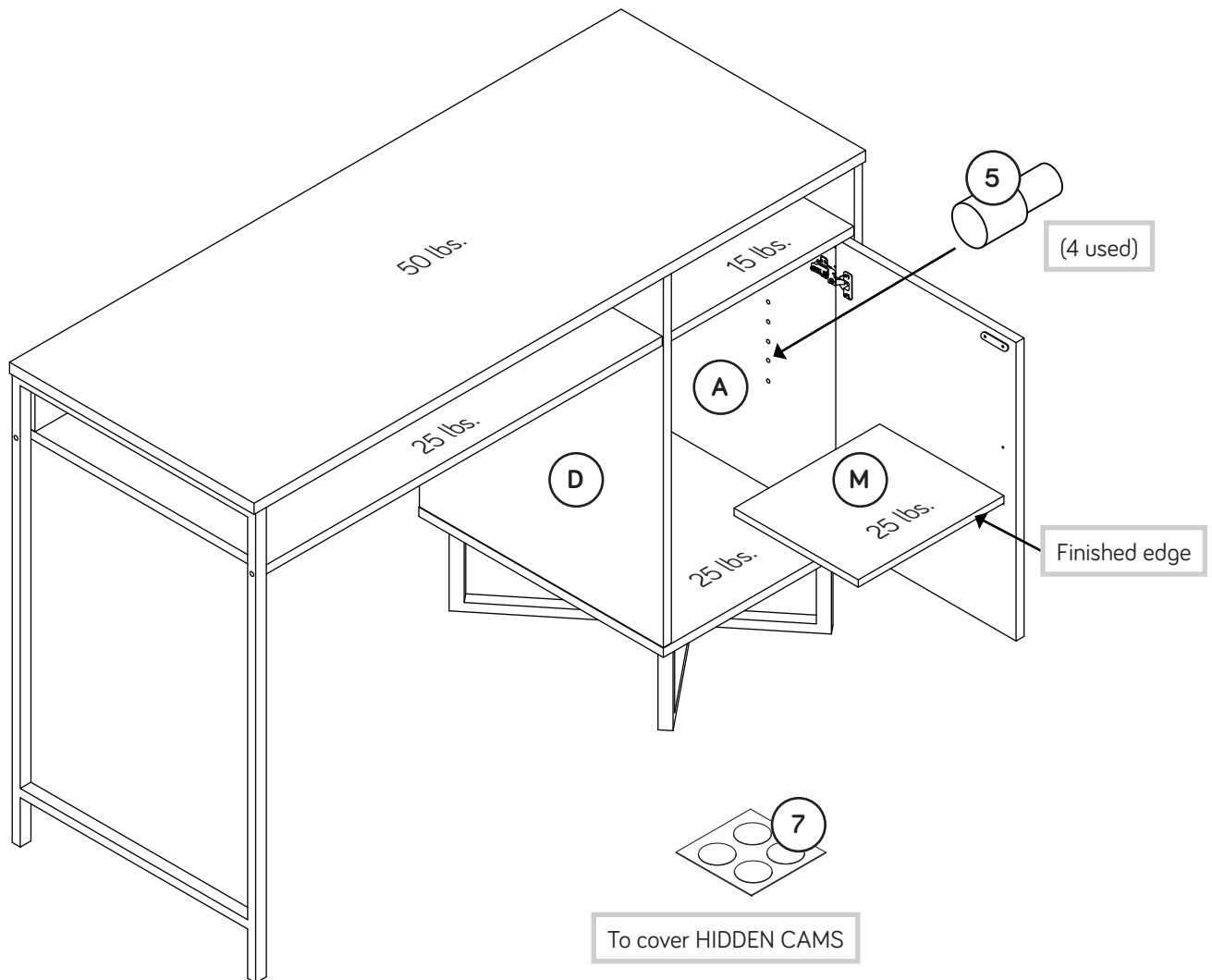


If you're doing this to help a friend, don't leave without a bite.



# Step 13

- ✦ Insert the SHELF PINS (5) into the hole locations of your choice in the RIGHT END (A) and UPRIGHT (D). Set the ADJUSTABLE SHELF (M) onto the SHELF PINS.
- ✦ Peel APPLIQUES from the APPLIQUE CARDS (7) and stick them onto each visible HIDDEN CAM.
- ✦ NOTE: Please read the back pages of the instruction booklet for important safety information.
- ✦ This completes assembly. Clean with a damp cloth. Wipe dry.



**⚠ WARNING**

Please use your furniture correctly and safely. Improper use can cause safety hazards, or damage to your furniture or household items. ***Carefully read the following chart.***

Look out for:	What can happen:	How to avoid the problem:
<ul style="list-style-type: none"><li>• Overloaded shelves or drawers.</li><li>• Improper loading can cause the product to be top-heavy.</li></ul>	<ul style="list-style-type: none"><li>• Risk of injury.</li><li>• Top-heavy furniture can tip over.</li><li>• Overloaded shelves and drawers can break.</li></ul>	<ul style="list-style-type: none"><li>• Never exceed the weight limits shown in the instructions.</li><li>• Work from bottom to top when loading shelves and drawers. Place the heavier items on the lower shelves or in lower drawers.</li></ul>
<ul style="list-style-type: none"><li>• Improperly moving furniture that is not designed and equipped with casters.</li></ul>	<ul style="list-style-type: none"><li>• Furniture can tip over or break if improperly moved.</li><li>• Physical injury. Furniture can be very heavy.</li><li>• Breakage of tops - particularly with double pedestal furniture (drawers at both ends).</li></ul>	<ul style="list-style-type: none"><li>• Unload shelves and drawers from top to bottom before moving the unit.</li><li>• Do not push furniture, especially on a carpeted floor. Have a friend help you lift the item and set it in place.</li><li>• Provide support to the center section of the top when lifting the furniture.</li></ul>
<ul style="list-style-type: none"><li>• Placing TVs on furniture items that are not designed to support a television is hazardous.</li></ul>	<ul style="list-style-type: none"><li>• Risk of injury or death. TVs can be very heavy. Plus the weight and location of the picture tube tends to make TVs unbalanced and prone to tipping forward.</li></ul>	<ul style="list-style-type: none"><li>• This product is not designed to support a television.</li></ul>